



US00D743398S

(12) **United States Design Patent**  
**Smith et al.**

(10) **Patent No.:** **US D743,398 S**

(45) **Date of Patent:** **\*\* Nov. 17, 2015**

(54) **INFORMATION HANDLING SYSTEM  
CONNECTIVITY DEVICE**

(71) Applicant: **Dell Products L.P.**, Round Rock, TX  
(US)

(72) Inventors: **Michael Ellis Smith**, Austin, TX (US);  
**Chung-Hao Hsu**, New Taipei (TW)

(73) Assignee: **Dell Products L.P.**, Round Rock, TX  
(US)

(\*\*) Term: **14 Years**

(21) Appl. No.: **29/517,394**

(22) Filed: **Feb. 12, 2015**

(51) **LOC (10) Cl.** ..... **14-02**

(52) **U.S. Cl.**  
USPC ..... **D14/433**

(58) **Field of Classification Search**  
USPC ..... D14/356, 432-434, 453, 454, 511,  
D14/203.8, 209.1, 238.1, 240, 125;  
439/638, 928, 105, 502; 710/303, 304;  
361/679.41, 679.55, 679.56; D13/110,  
D13/133, 146

CPC ... H04L 12/2832; H04L 12/2838; G06F 3/00;  
G06F 5/00; G06F 13/14

See application file for complete search history.

(56) **References Cited**

**U.S. PATENT DOCUMENTS**

D511,344 S	*	11/2005	Takei	.....	D14/480.6
D537,036 S	*	2/2007	Chen	.....	D14/433
D564,520 S	*	3/2008	Baseflug et al.	.....	D14/433
D574,834 S	*	8/2008	Chen	.....	D14/432
D576,166 S	*	9/2008	Mori et al.	.....	D14/433
D587,265 S	*	2/2009	Maiers et al.	.....	D14/480.6
D588,147 S	*	3/2009	Finlayson et al.	.....	D14/480.5
D604,725 S	*	11/2009	Chen	.....	D14/240

D605,650 S	*	12/2009	Ribeiro	.....	D14/433
D609,713 S	*	2/2010	Du et al.	.....	D14/480.6
D612,384 S	*	3/2010	Kim et al.	.....	D14/435.1
D619,999 S	*	7/2010	Wu et al.	.....	D14/240
D680,539 S	*	4/2013	Kim	.....	D14/433
D682,835 S	*	5/2013	Daniel	.....	D14/433
D702,686 S	*	4/2014	Gerber et al.	.....	D14/433
D709,504 S	*	7/2014	Breines	.....	D14/433
D716,304 S	*	10/2014	Orthey	.....	D14/420
D727,907 S	*	4/2015	Higashi	.....	D14/433
D730,903 S	*	6/2015	Langhammer et al.	.....	D14/433
D730,904 S	*	6/2015	Liu	.....	D14/433
D731,488 S	*	6/2015	Lee	.....	D14/433
D731,489 S	*	6/2015	Langhammer et al.	.....	D14/433
D732,035 S	*	6/2015	Akana et al.	.....	D14/433
D733,142 S	*	6/2015	Solomon et al.	.....	D14/433
2005/0109841 A1	*	5/2005	Ryan et al.	.....	235/380

\* cited by examiner

*Primary Examiner* — Austin Murphy

(74) *Attorney, Agent, or Firm* — Terrille, Cannatti,  
Chambers & Holland, LLP; Robert W. Holland

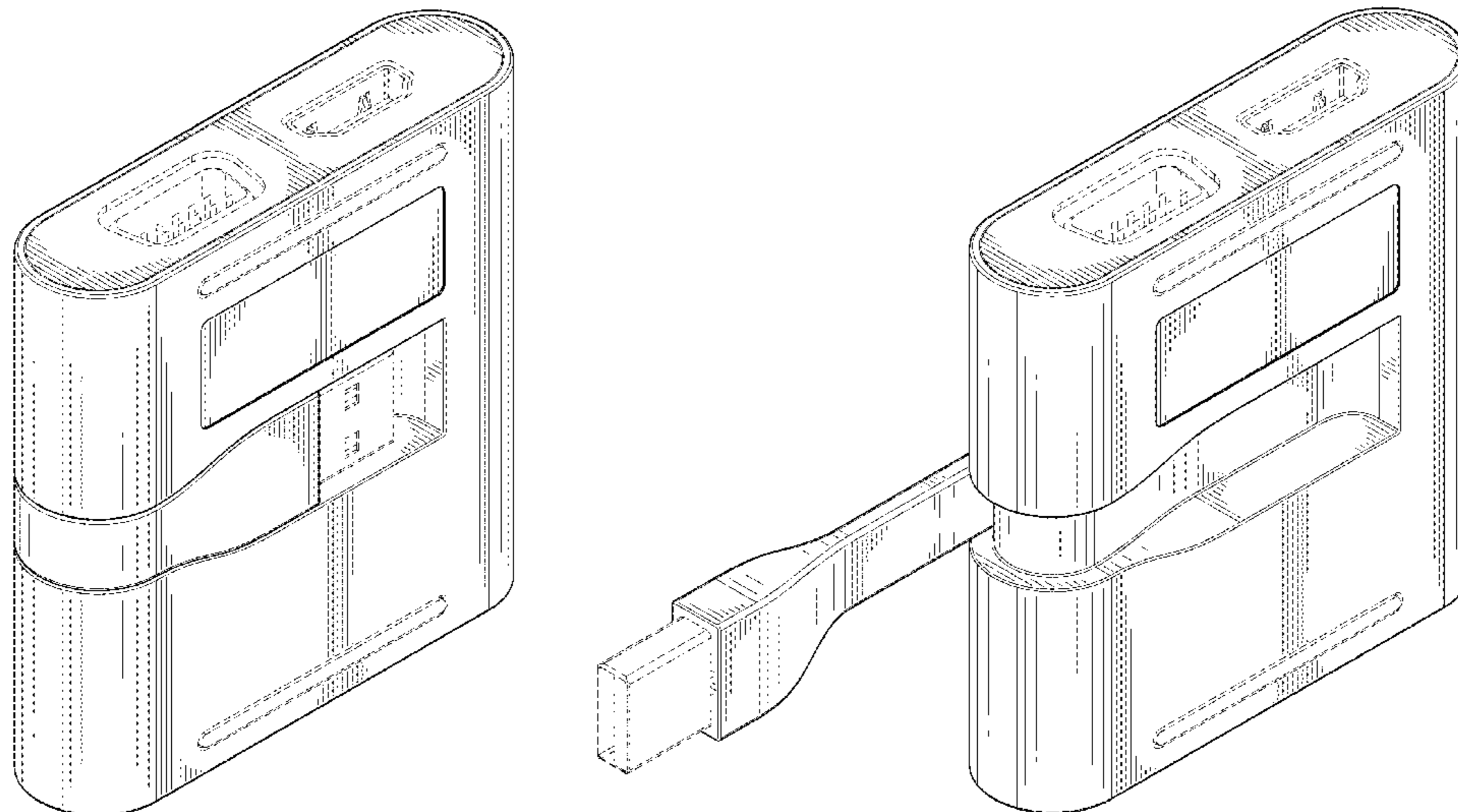
(57) **CLAIM**

We claim the ornamental design for an information handling system connectivity device, as shown and described.

**DESCRIPTION**

FIG. 1 is a rear perspective view of the information handling system connectivity device comprising the present invention; FIG. 2 is a rear view thereof; FIG. 3 is a front view thereof; FIG. 4 is a left side view thereof; FIG. 5 is a right side view thereof; FIG. 6 is a top view thereof; FIG. 7 is a bottom view thereof; and, FIG. 8 is a rear perspective view thereof in an open position. Broken lines shown in the drawings illustrate portions of the information handling system connectivity device, and form no part of the claimed design.

**1 Claim, 6 Drawing Sheets**



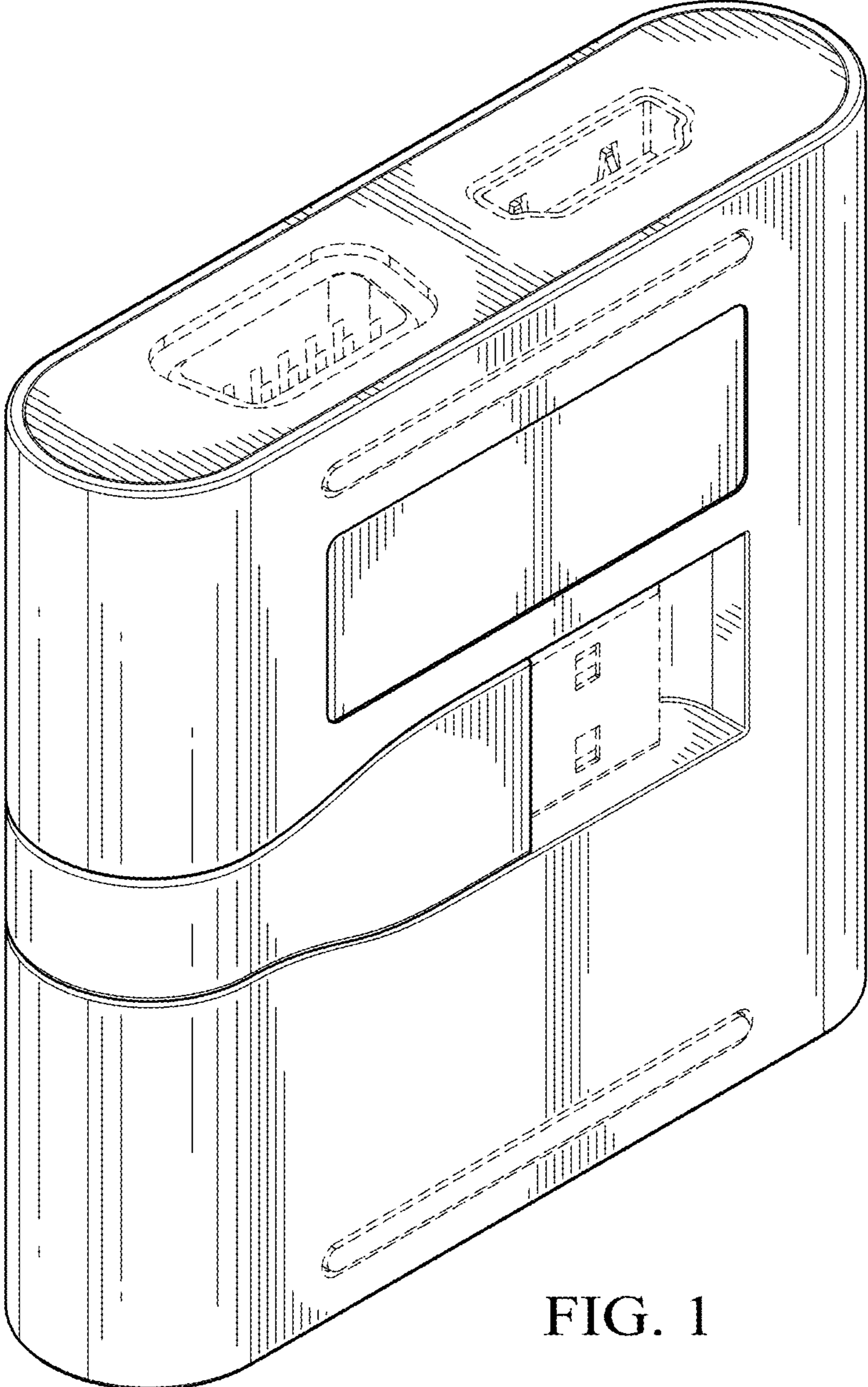


FIG. 1

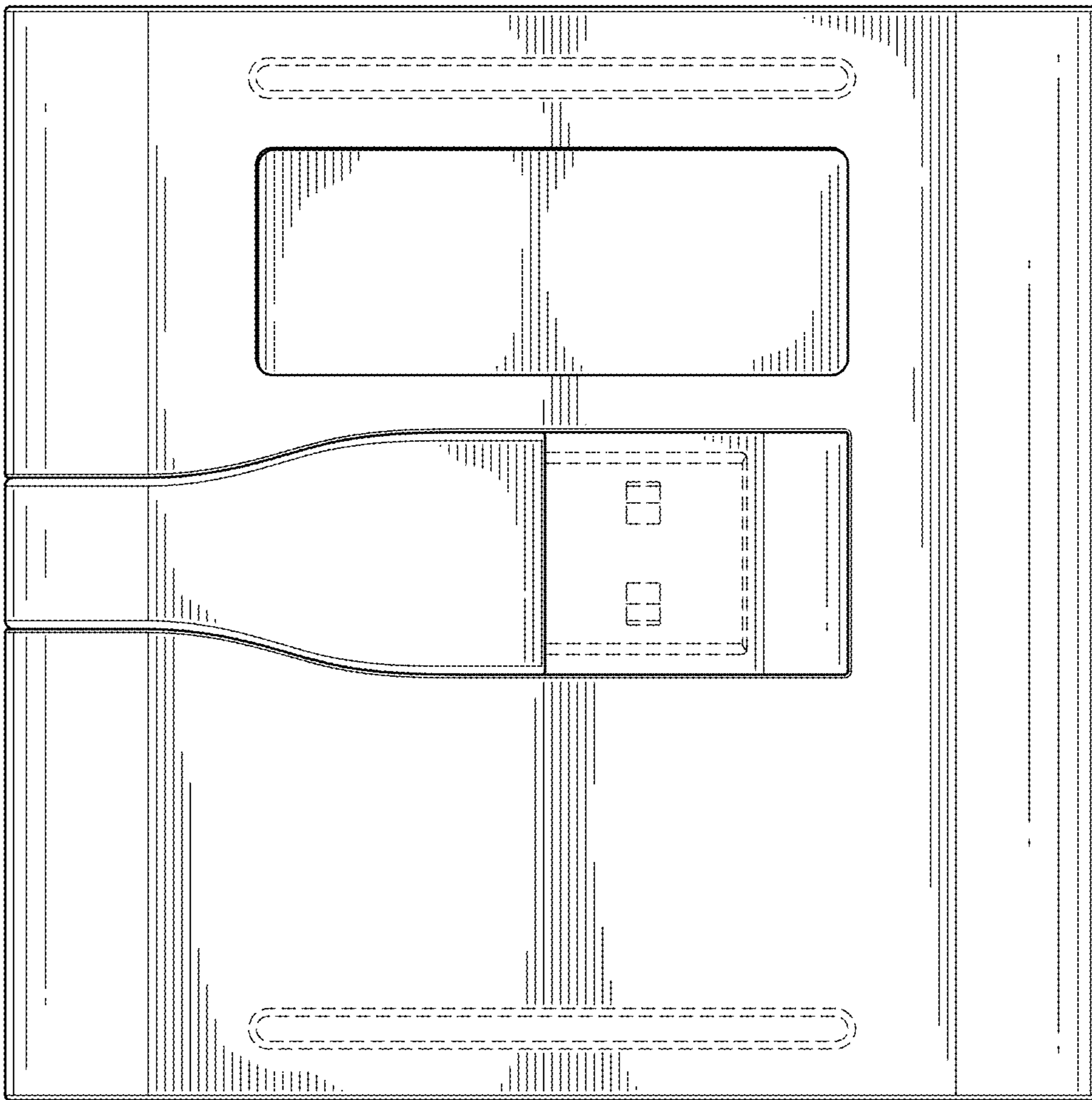


FIG. 2

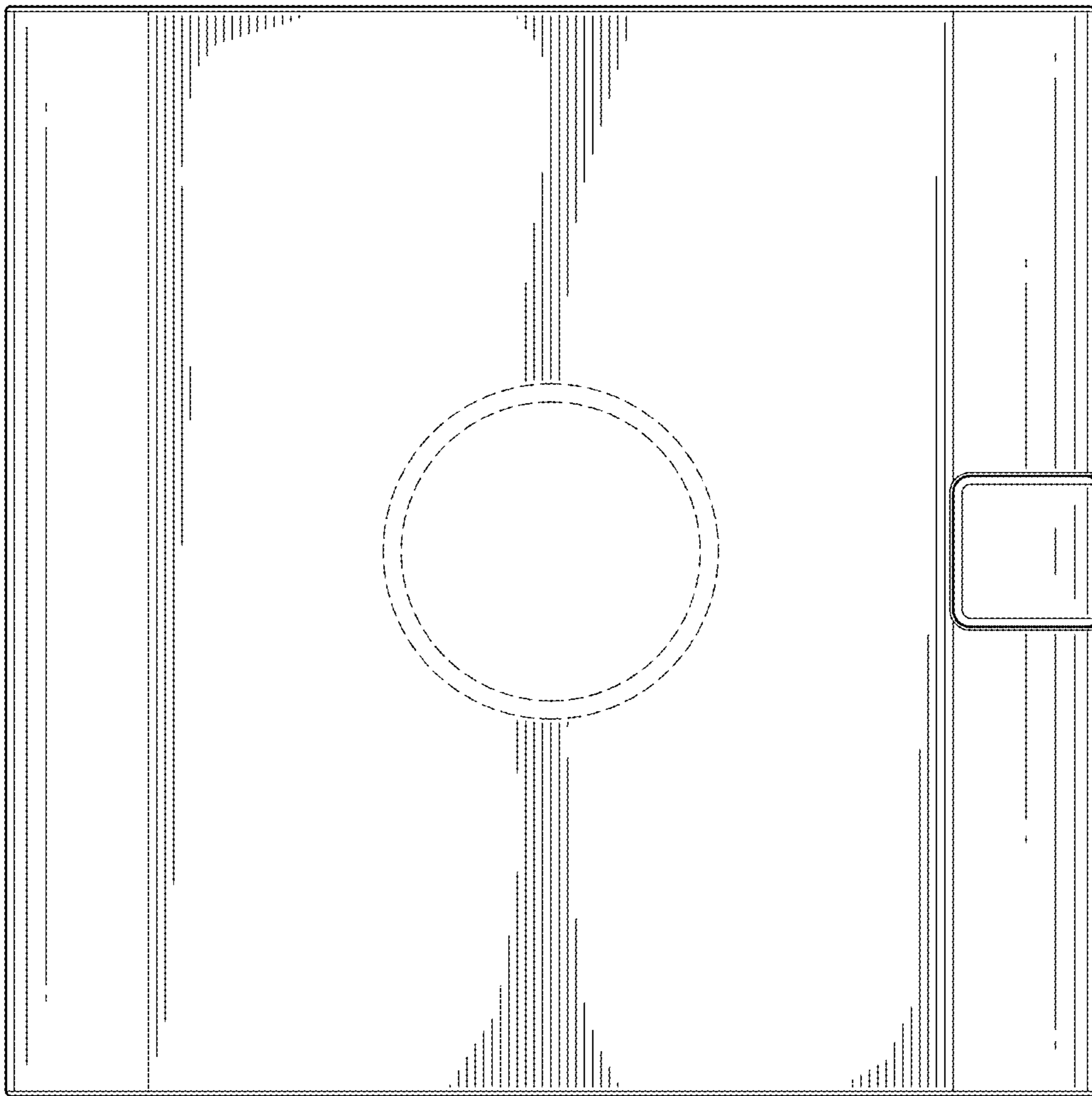


FIG. 3

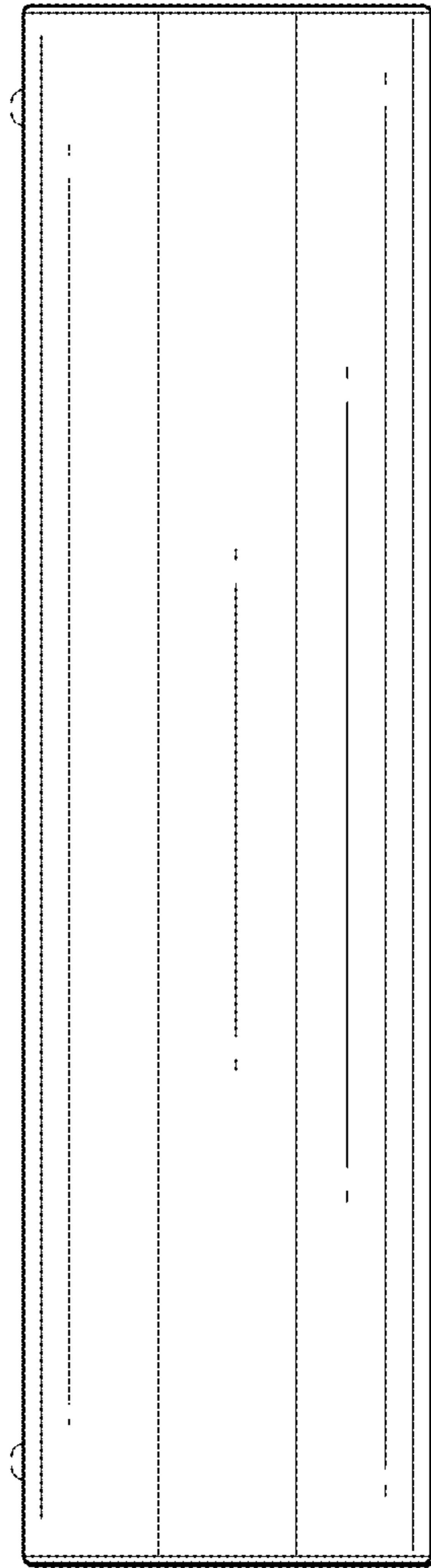


FIG. 4

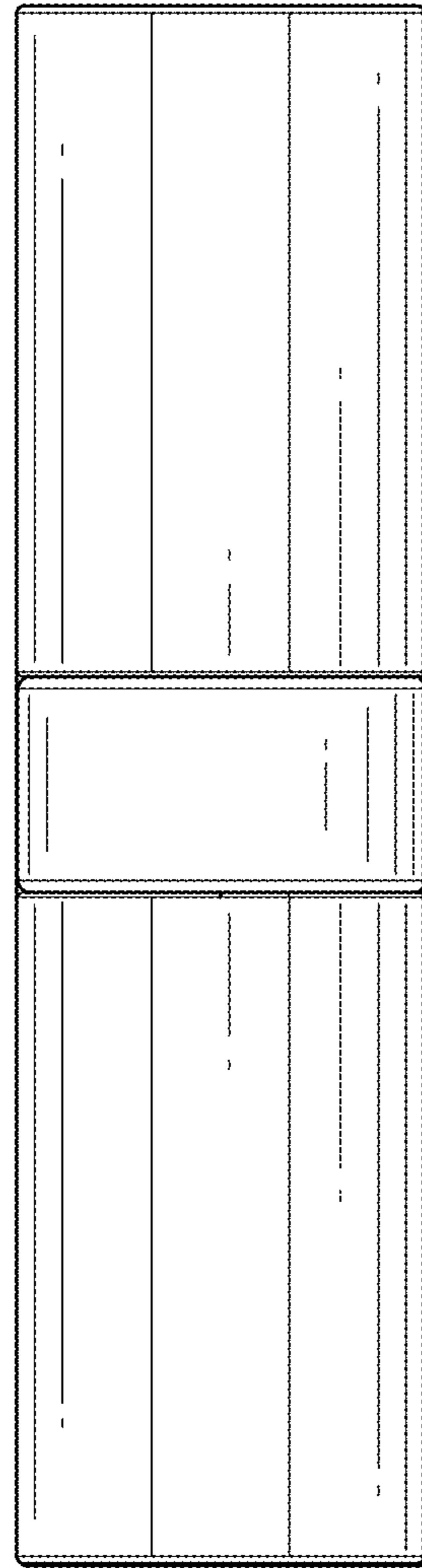


FIG. 5

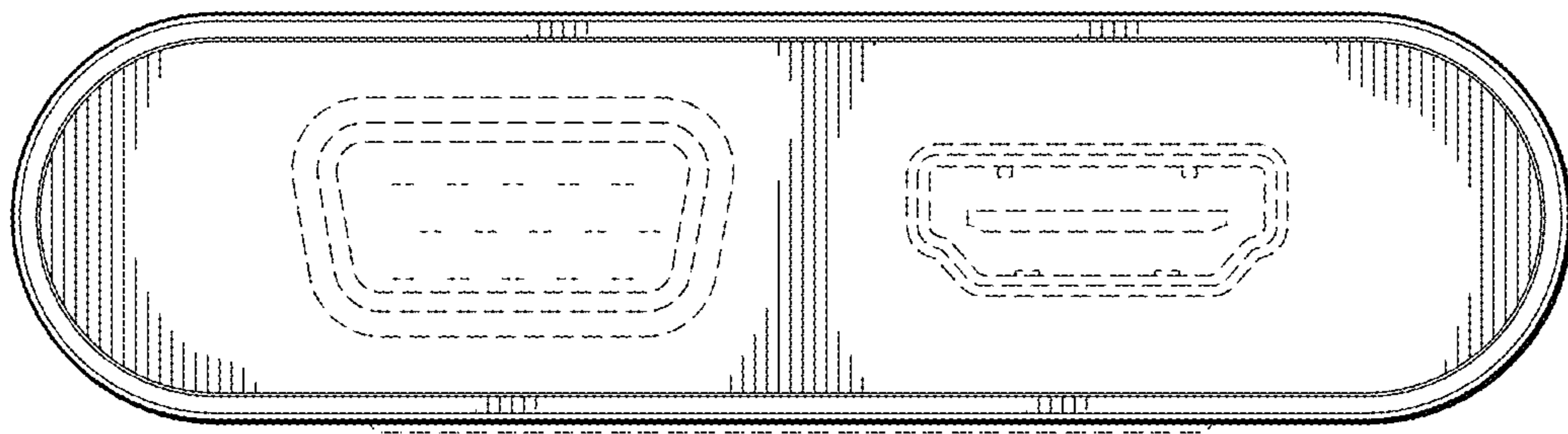


FIG. 6

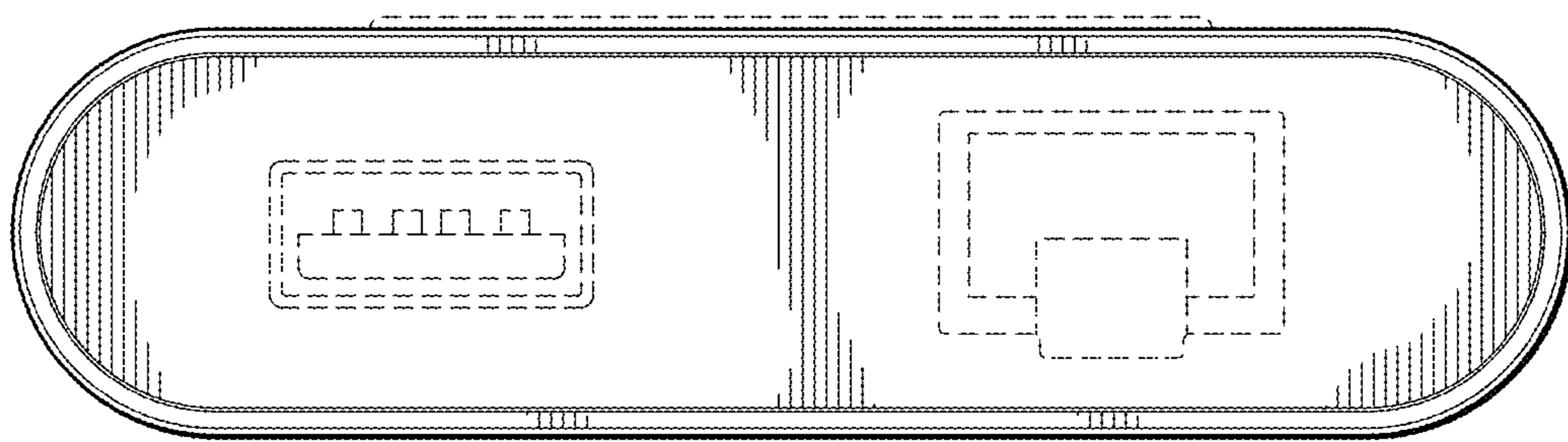


FIG. 7

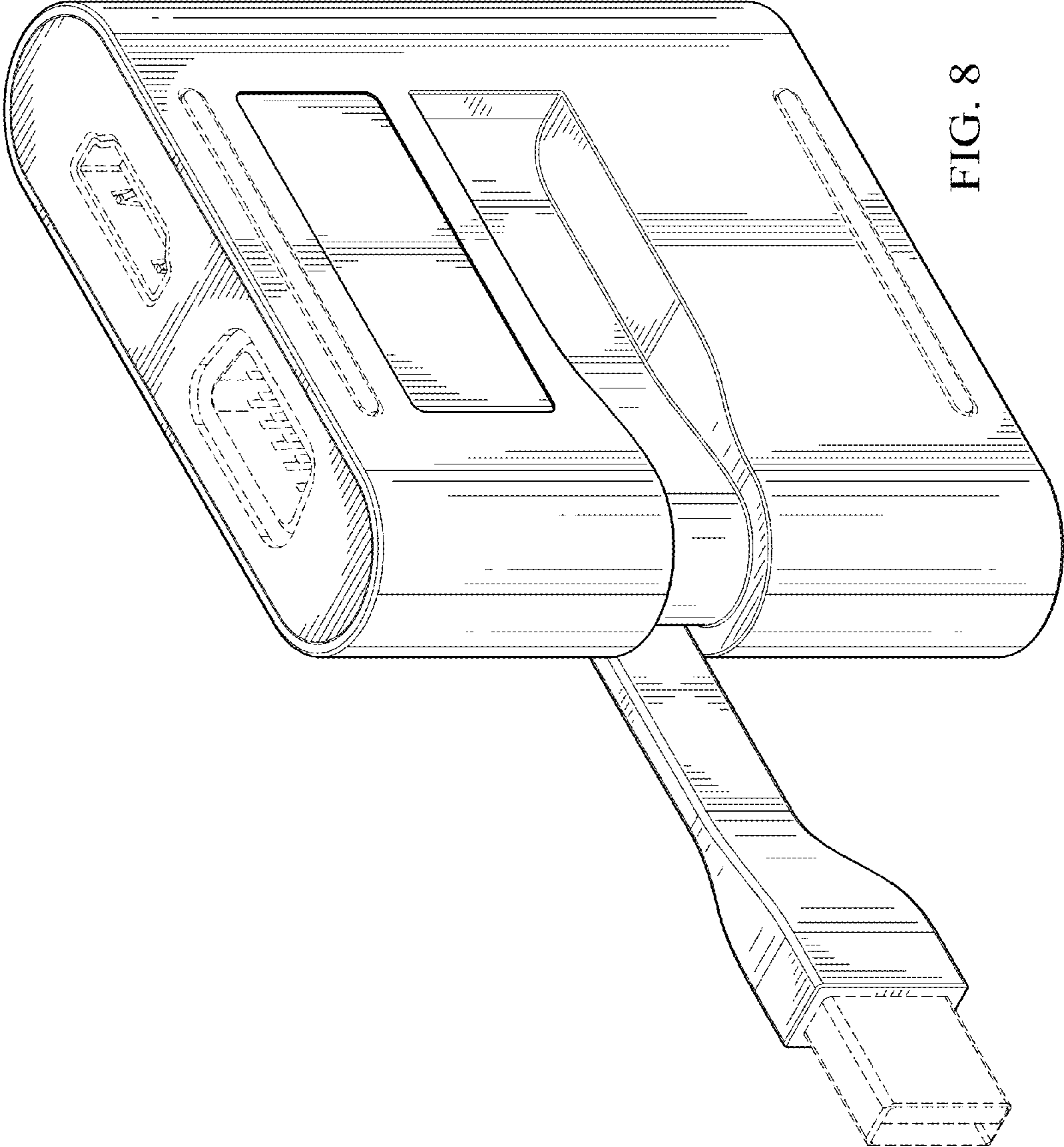


FIG. 8