



US00D743394S

(12) **United States Design Patent**  
**Chang et al.**

(10) **Patent No.:** **US D743,394 S**

(45) **Date of Patent:** **\*\* Nov. 17, 2015**

(54) **DISPLAY WITH SUPPORT BRACKET**

(71) Applicant: **HON HAI PRECISION INDUSTRY CO., LTD.**, New Taipei (TW)

(72) Inventors: **Chao-Chi Chang**, New Taipei (TW); **Yun-Dong Xu**, Shenzhen (CN); **Liu-Sha Deng**, Shenzhen (CN); **Chang-Sheng Zhou**, Shenzhen (CN)

(73) Assignee: **HON HAI PRECISION INDUSTRY CO., LTD.**, New Taipei (TW)

(\*\*) Term: **14 Years**

(21) Appl. No.: **29/496,215**

(22) Filed: **Jul. 10, 2014**

(30) **Foreign Application Priority Data**

Jan. 14, 2014 (CN) ..... 2014 3 0009579

(51) **LOC (10) Cl.** ..... **14-02**

(52) **U.S. Cl.**  
USPC ..... **D14/375**

(58) **Field of Classification Search**  
USPC ..... D14/371-375, 125-129, 336, 337;  
341/12; 345/104, 156, 168, 173;  
348/180, 184, 325, 739; 349/1, 2, 11,  
349/62; 361/679.05-679.07, 679.21;  
D6/300, 308  
CPC ..... G06F 1/16; G06F 1/1601; G06F 3/037;  
G06F 1/162

See application file for complete search history.

(56) **References Cited**

U.S. PATENT DOCUMENTS

6,056,248	A *	5/2000	Ma	248/124.1
D453,022	S *	1/2002	Oba	D14/374
D570,841	S *	6/2008	Kim et al.	D14/375
7,513,468	B2 *	4/2009	Jung et al.	248/133
7,564,679	B2 *	7/2009	Chen et al.	361/679.21
2002/0020792	A1 *	2/2002	Lee	248/278.1
2006/0237599	A1 *	10/2006	Ternus et al.	248/176.1

\* cited by examiner

*Primary Examiner* — Freda S Nunn

(74) *Attorney, Agent, or Firm* — Novak Druce Connolly Bove + Quigg LLP

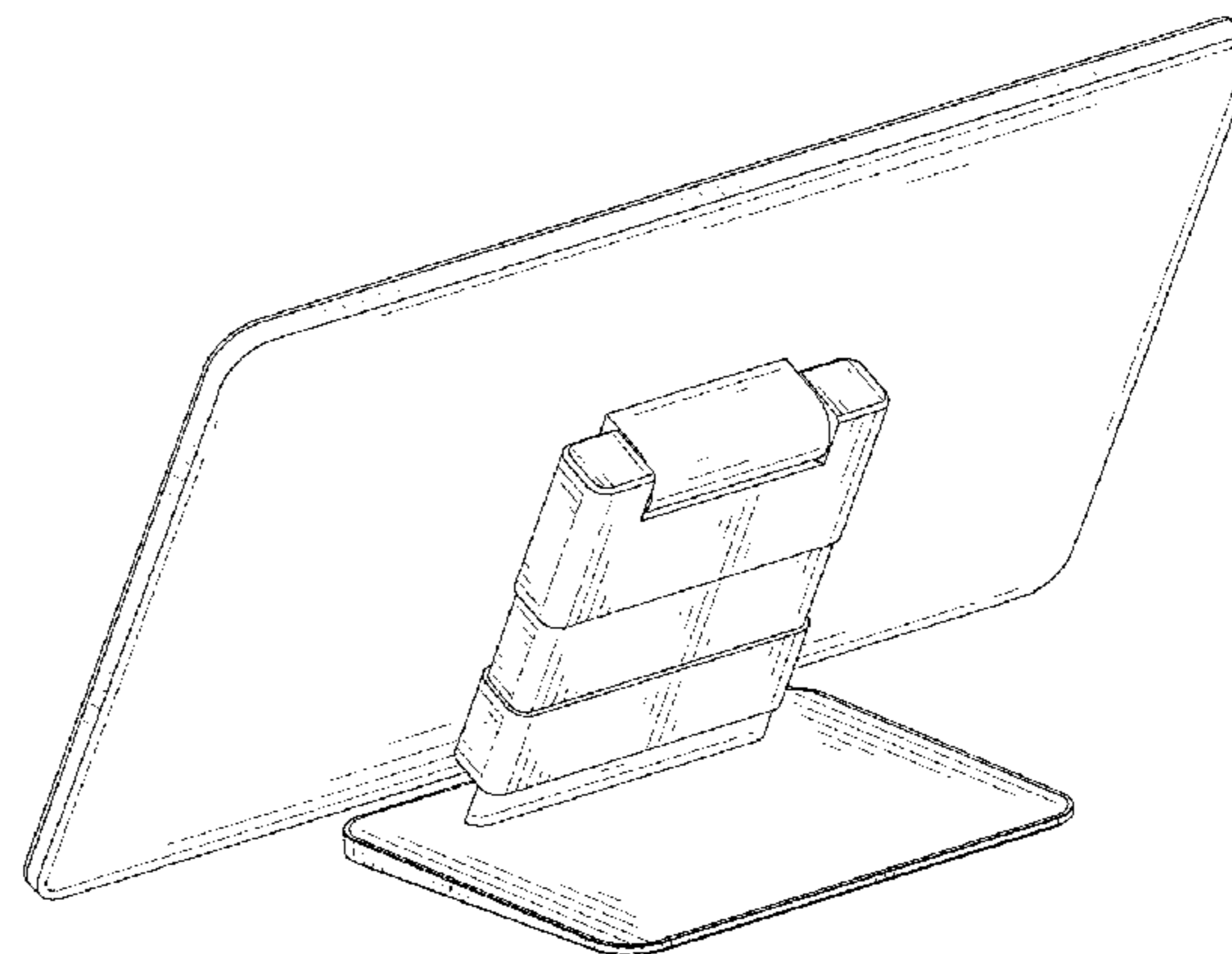
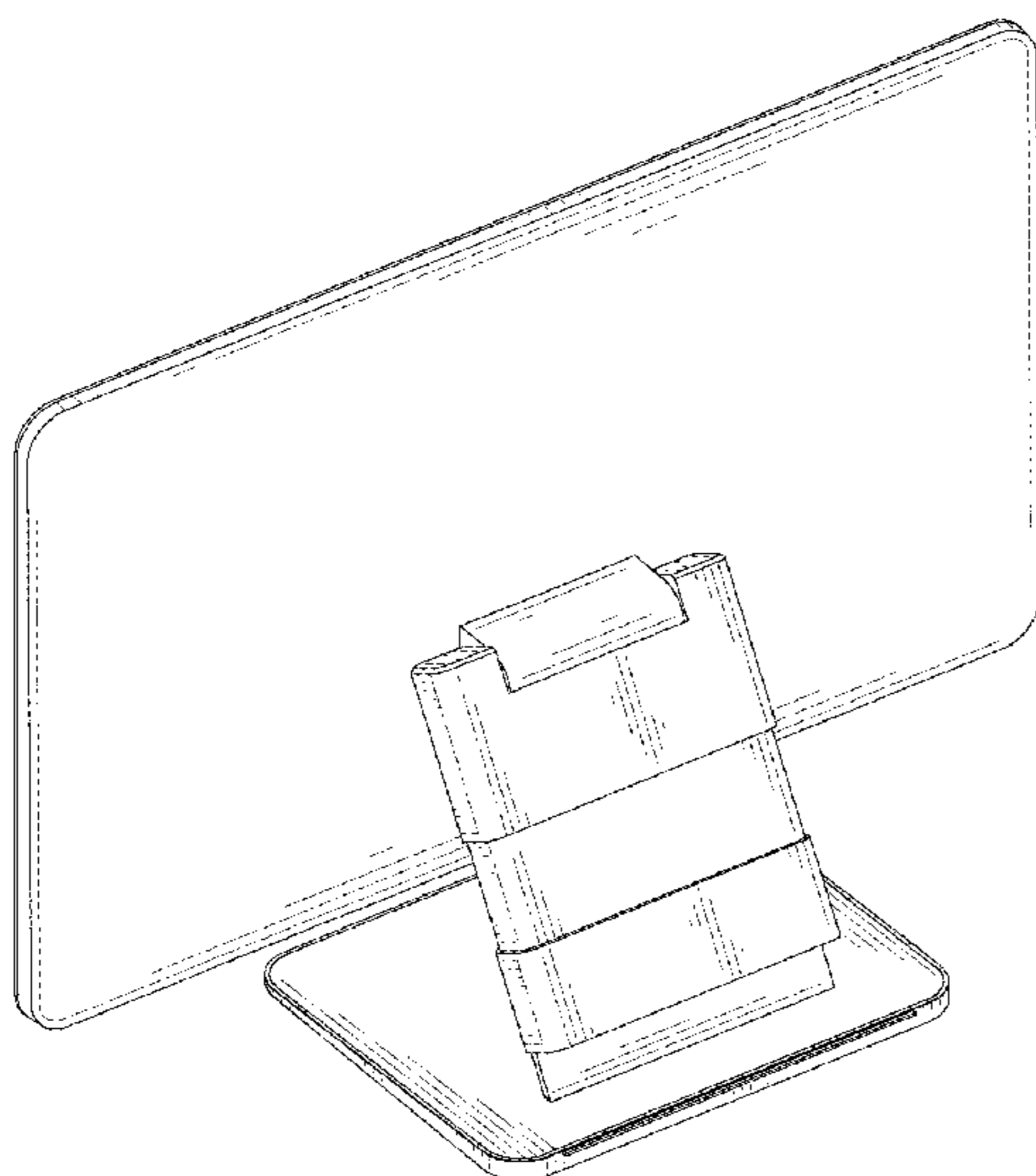
(57) **CLAIM**

The ornamental design for a display with support bracket, as shown and described.

**DESCRIPTION**

FIG. 1 is a rearward perspective view of a display with support bracket;  
FIG. 2 is a front elevational view thereof;  
FIG. 3 is a rear elevational view thereof;  
FIG. 4 is a right side elevational view thereof;  
FIG. 5 is a left side elevational view thereof;  
FIG. 6 is a top plan view thereof;  
FIG. 7 is a bottom plan view thereof;  
FIG. 8 is a perspective view of the “display with support bracket”, which is in a first state of use; and,  
FIG. 9 is a perspective view of the “display with support bracket”, which is in a second state of use.  
The broken lines in the drawings are employed to show unclaimed portions of the display with support bracket, and form no part of the claimed design.

**1 Claim, 9 Drawing Sheets**



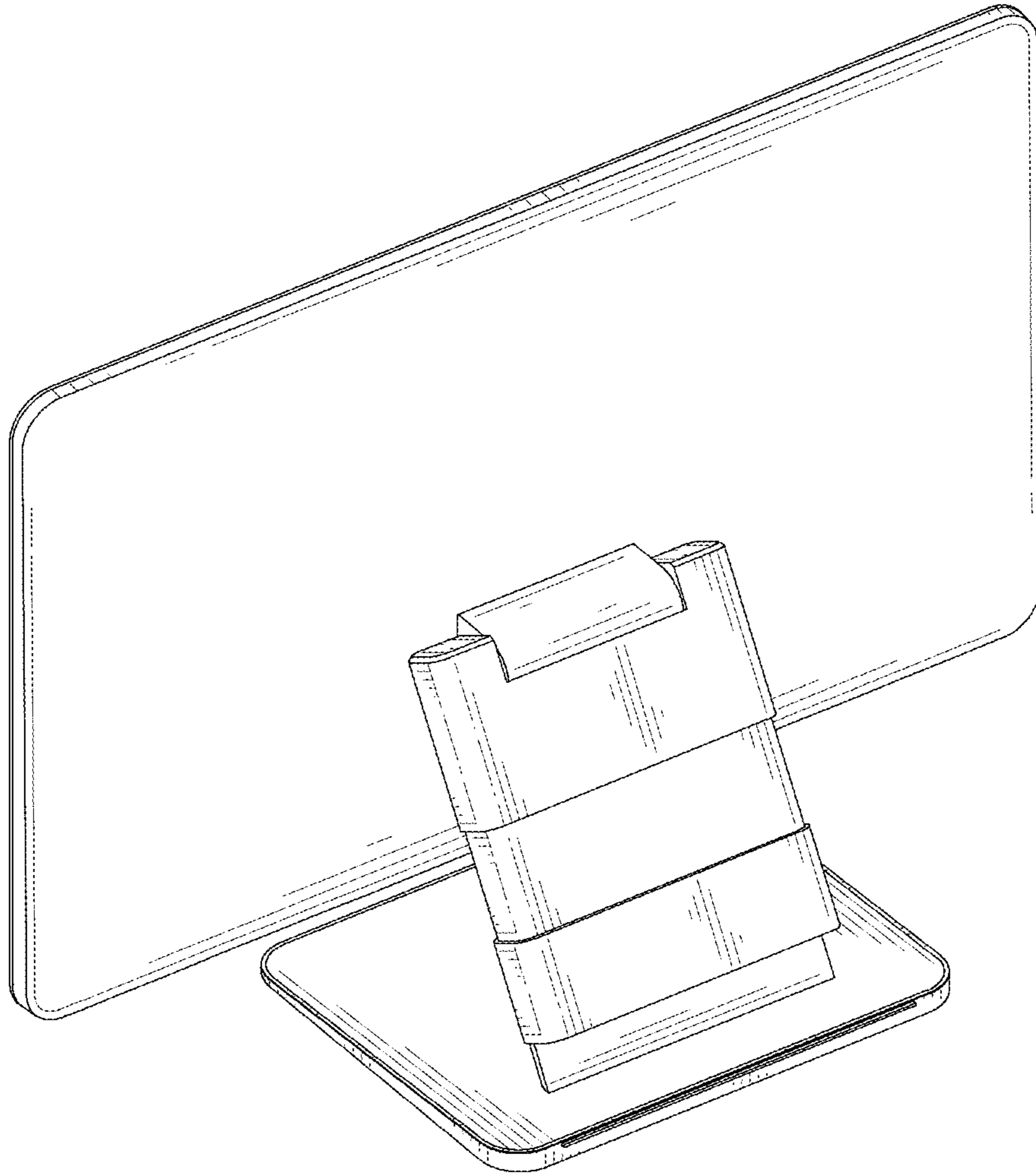


FIG. 1

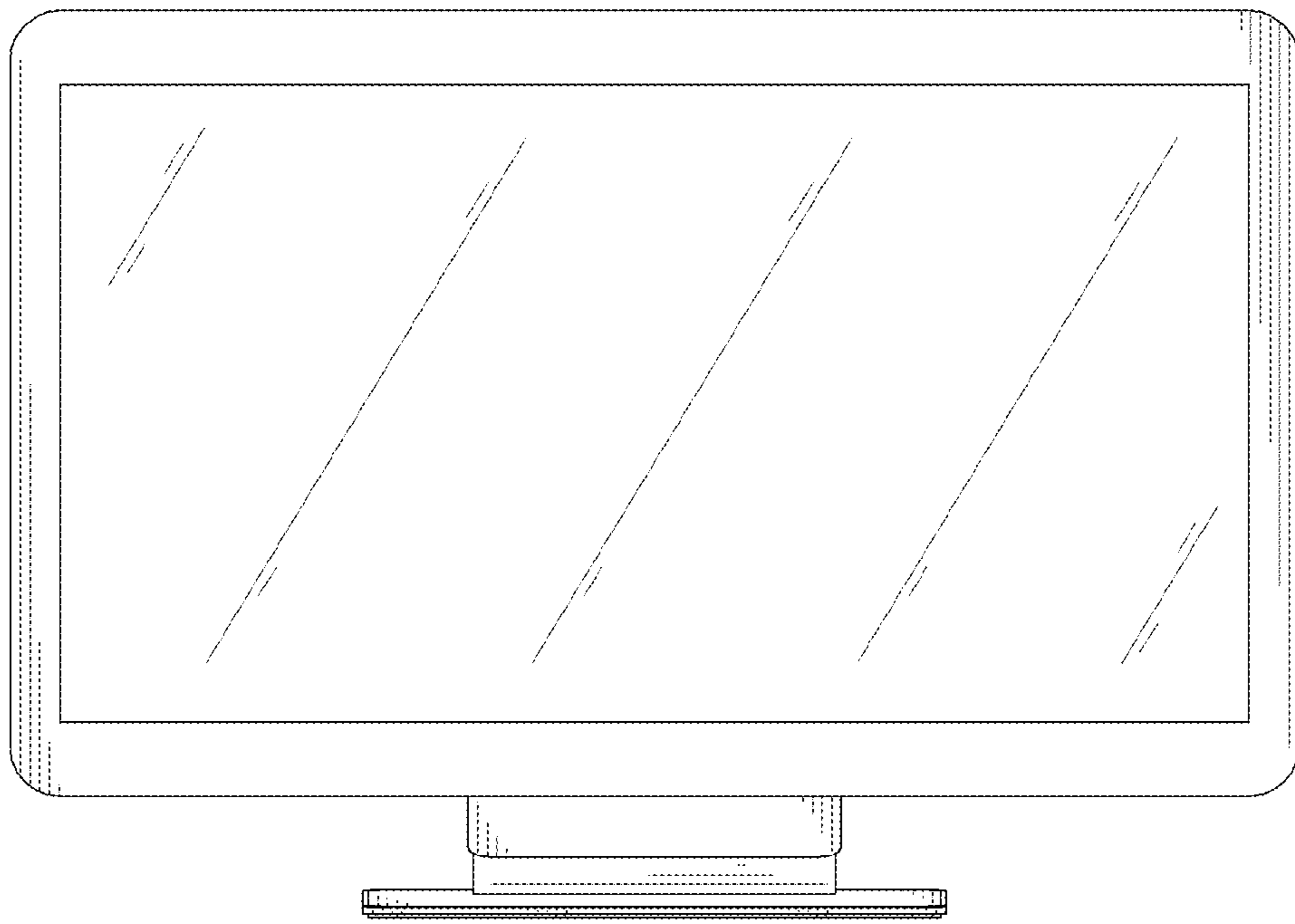


FIG. 2

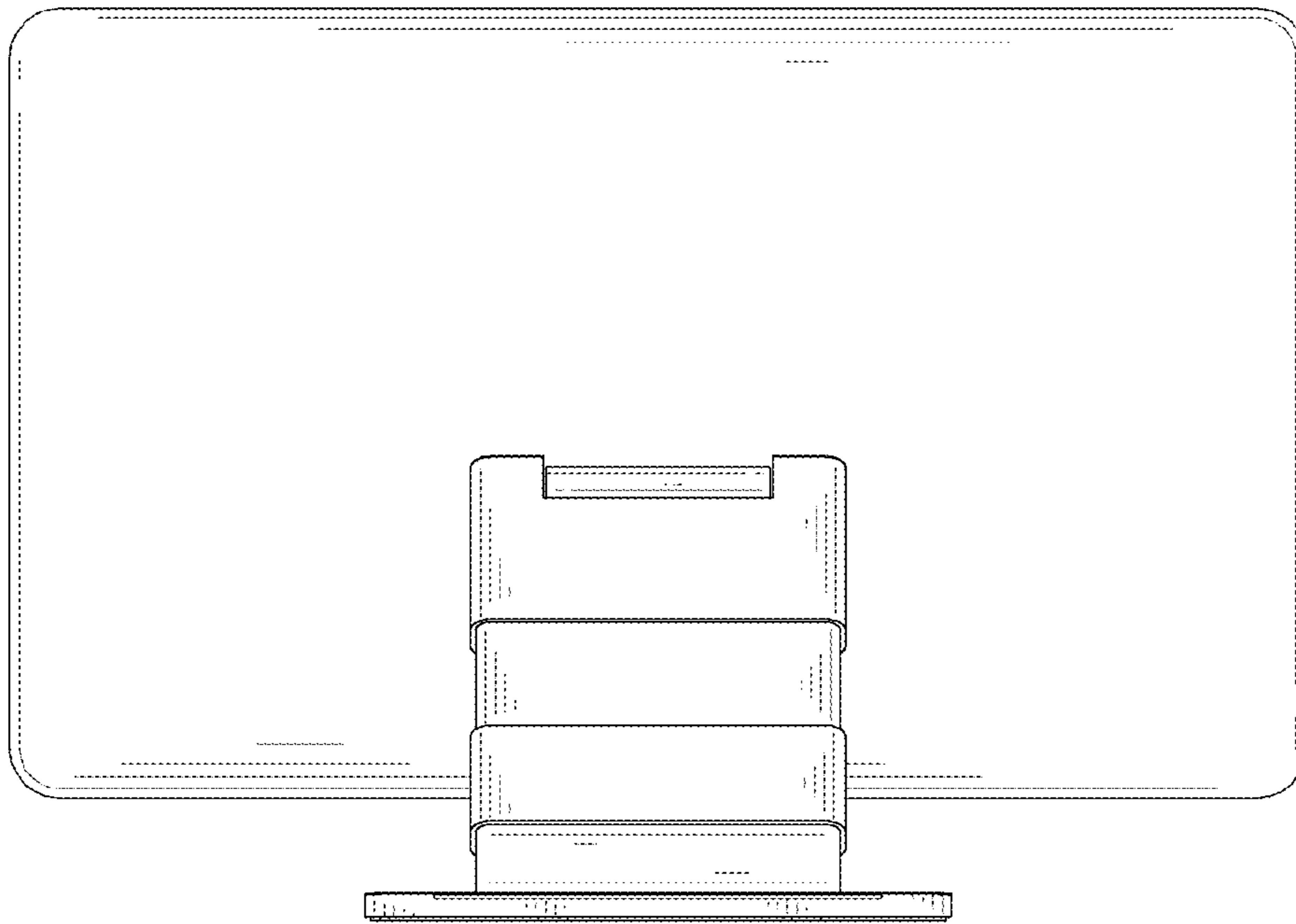


FIG. 3

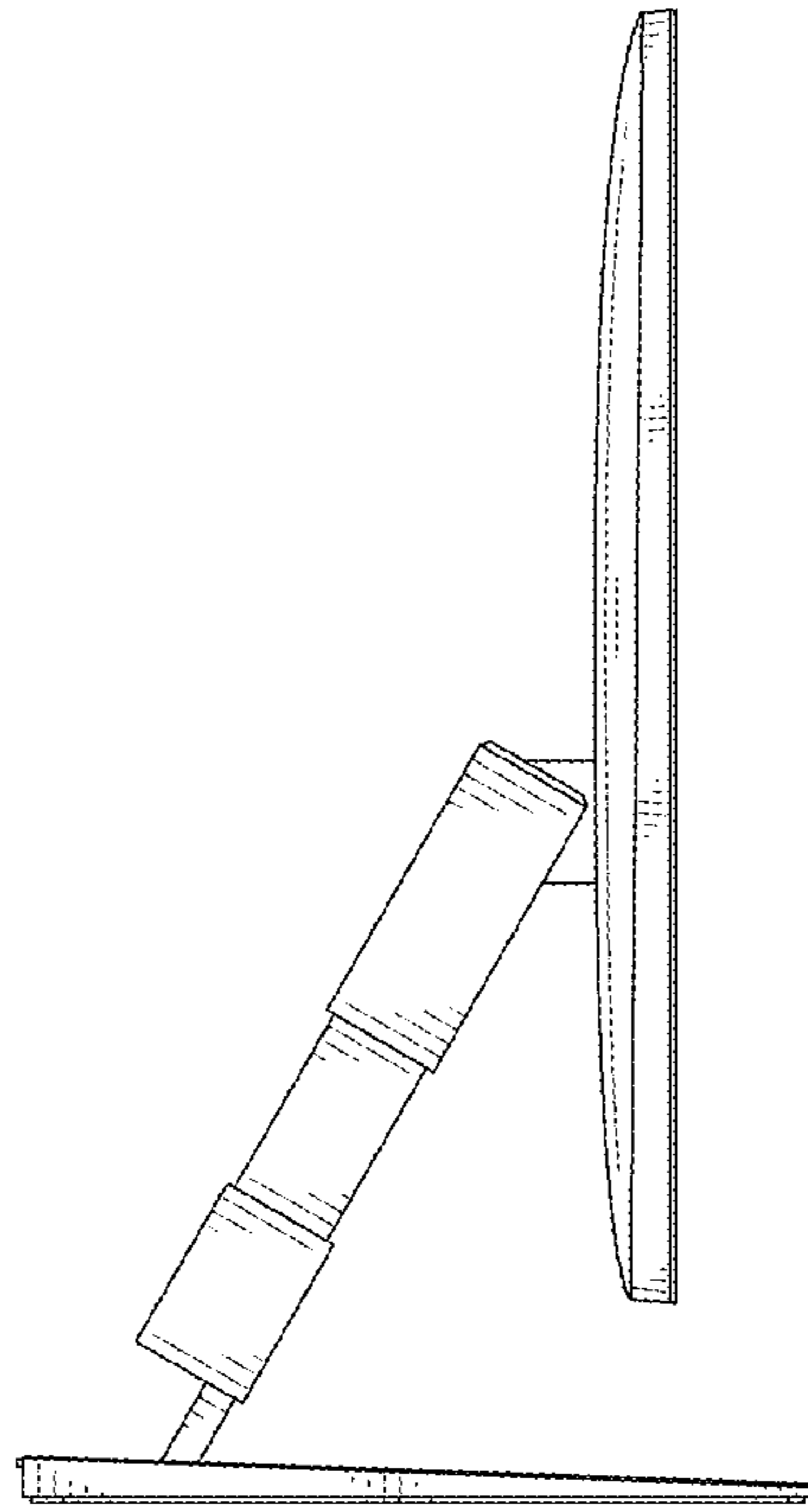


FIG. 4

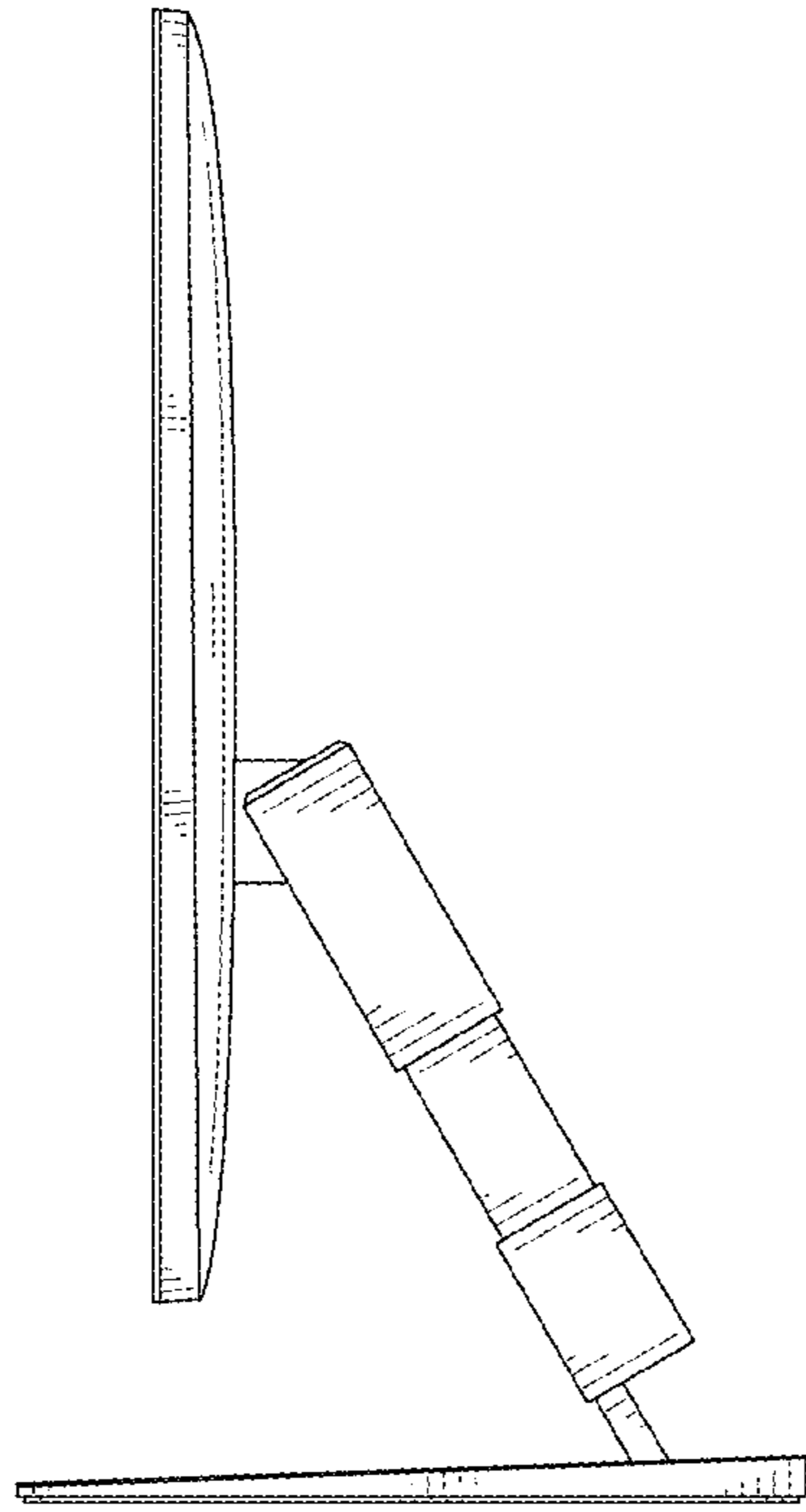


FIG. 5

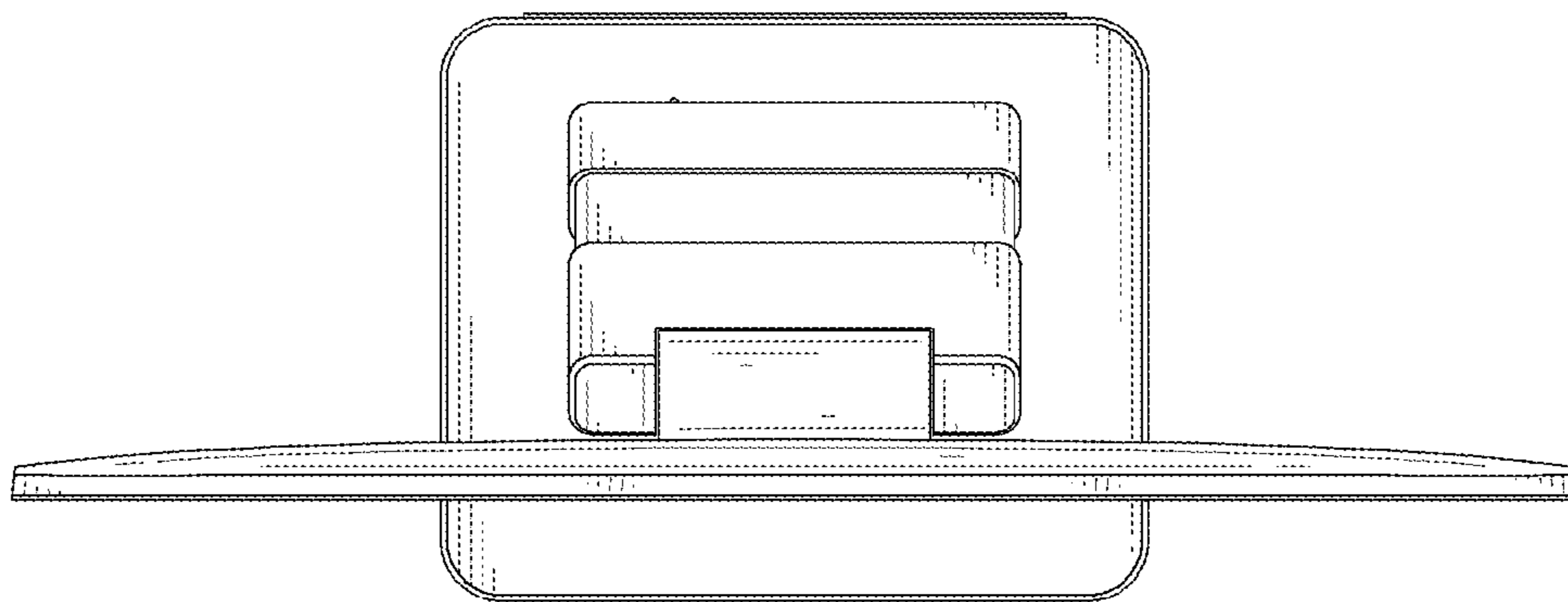


FIG. 6

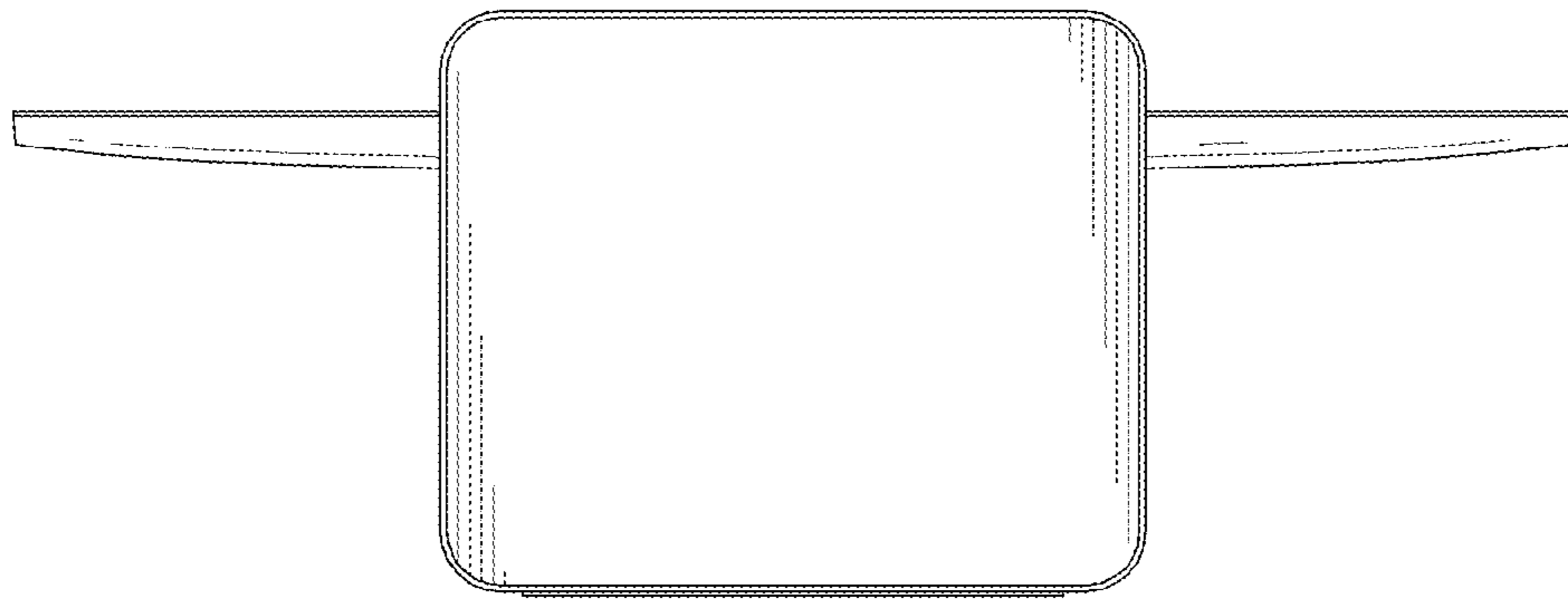


FIG. 7



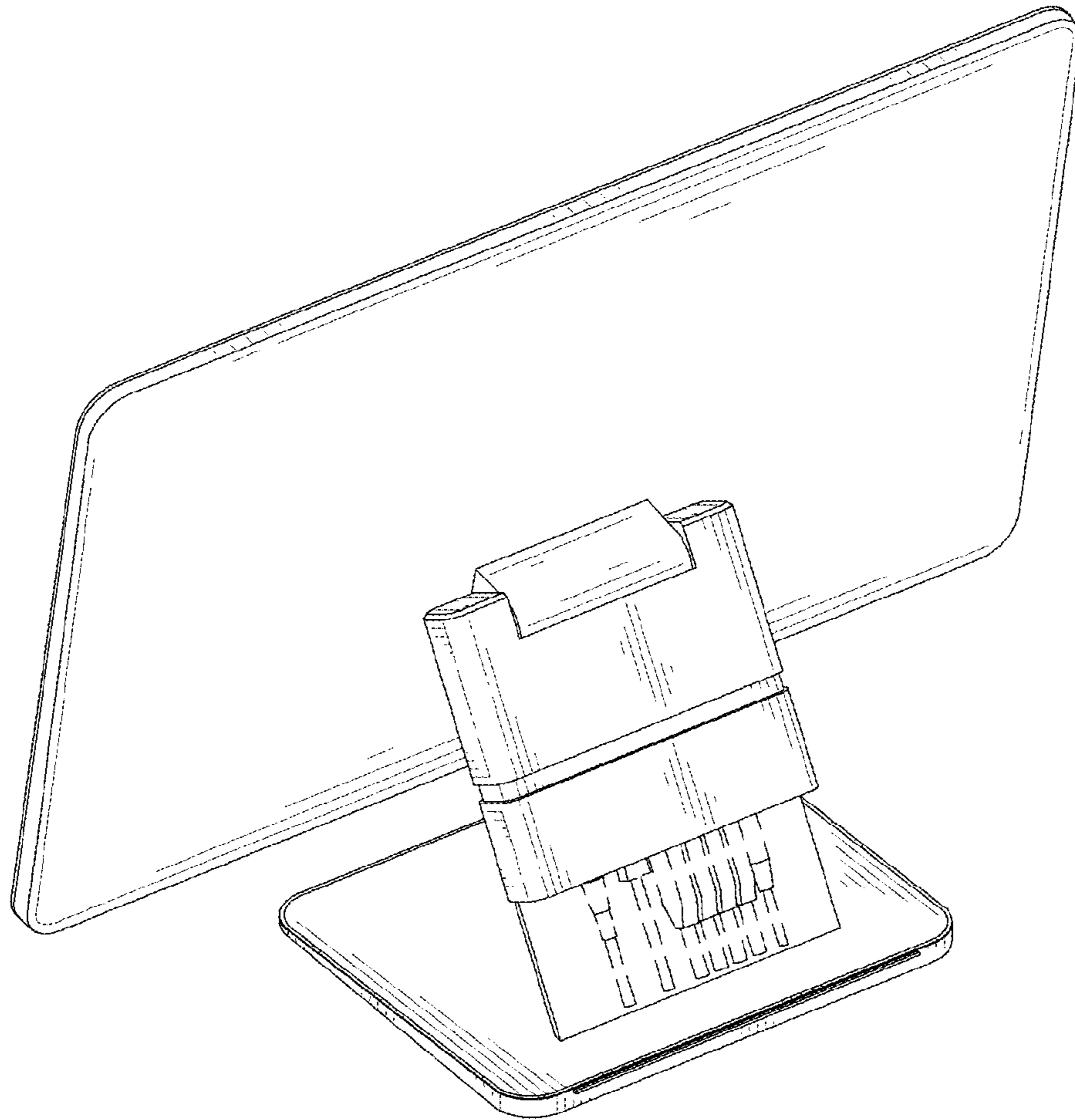


FIG. 8

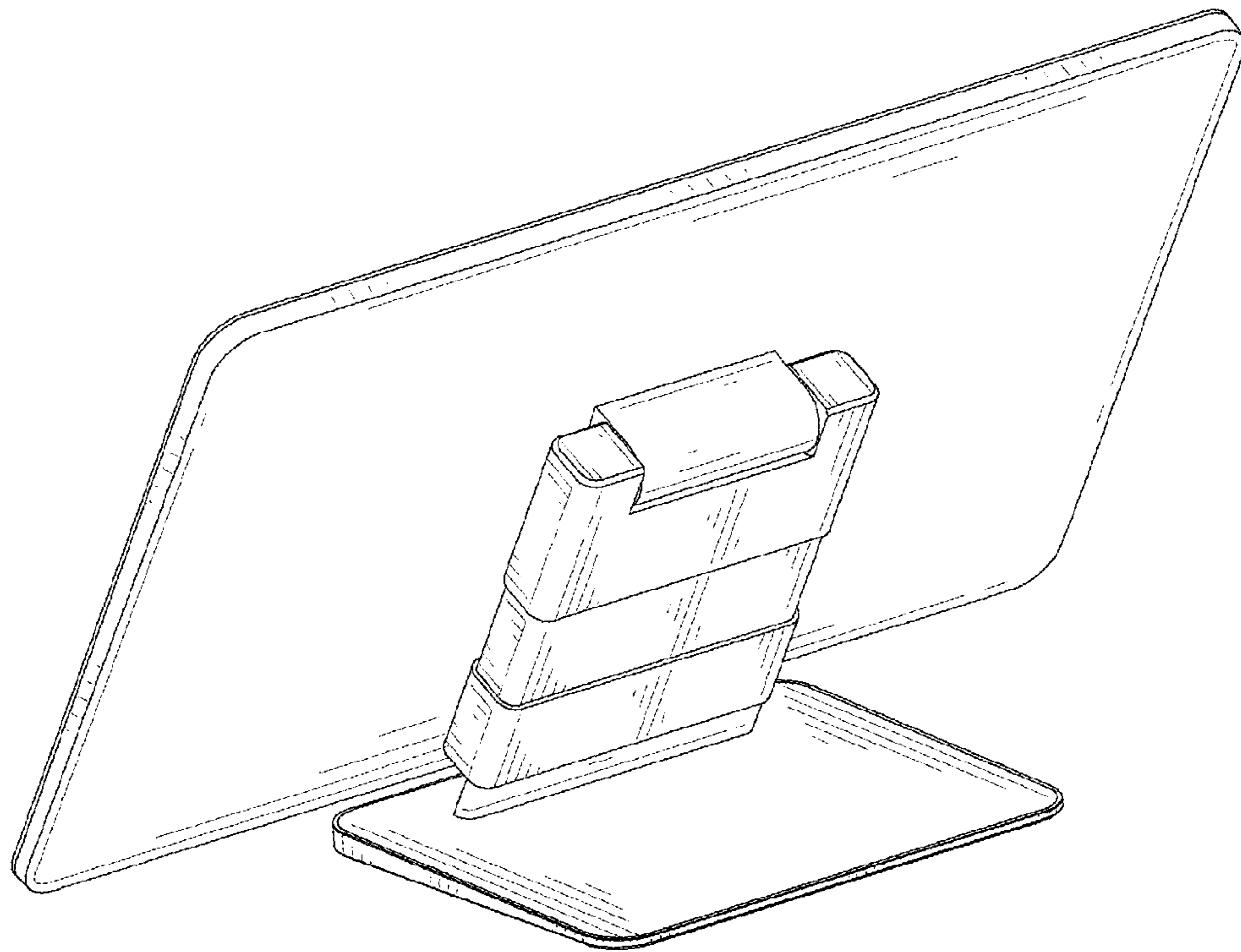


FIG. 9