



US00D743393S

(12) **United States Design Patent**  
**Lim et al.**

(10) **Patent No.:** **US D743,393 S**  
(45) **Date of Patent:** **\*\* Nov. 17, 2015**

(54) **MOBILE PHONE**

(56) **References Cited**

(71) Applicant: **LG Electronics Inc.**, Seoul (KR)

U.S. PATENT DOCUMENTS

(72) Inventors: **Seongjae Lim**, Seoul (KR); **Wonsang Choi**, Seoul (KR); **Dongsoon Kim**, Seoul (KR)

3,800,525	A *	4/1974	Bergey	368/69
3,935,701	A *	2/1976	Yamauchi et al.	368/225
D239,512	S *	4/1976	Tsuki	D10/38
D247,701	S *	4/1978	Kwon	D10/31
4,109,315	A *	8/1978	Pan	708/111
D353,778	S *	12/1994	Hanagata	D10/31
D354,444	S *	1/1995	Pandel	D10/30
D356,043	S *	3/1995	Iwamoto	D10/39
D408,298	S *	4/1999	Levinger	D10/18
D461,175	S *	8/2002	Yokota	D14/144
D474,117	S *	5/2003	Dubois	D10/30
D528,441	S *	9/2006	Burton	D10/38
D528,928	S *	9/2006	Burton	D10/38
D579,356	S *	10/2008	Allen	D10/65
D579,802	S *	11/2008	Li et al.	D10/65
D580,803	S *	11/2008	Whittaker	D10/65
7,618,260	B2 *	11/2009	Daniel et al.	439/37
D622,856	S *	8/2010	Ramsey	D24/186

(73) Assignee: **LG Electronics Inc.**, Seoul (KR)

(\*\*) Term: **14 Years**

(21) Appl. No.: **29/499,218**

(22) Filed: **Aug. 13, 2014**

(30) **Foreign Application Priority Data**

Feb. 19, 2014 (KR) ..... 30-2014-0008417

(Continued)

(51) **LOC (10) Cl.** ..... **14-02**

*Primary Examiner* — Susan Bennett Hattan

(52) **U.S. Cl.**  
USPC ..... **D14/344**; D14/138 R; D10/38

*Assistant Examiner* — Marie Fast Horse

(74) *Attorney, Agent, or Firm* — Morgan, Lewis & Bockius LLP

(58) **Field of Classification Search**

(57) **CLAIM**

The ornamental design for a mobile phone, as shown and described.

USPC ..... D14/140, 137, 138 R, 138 AB, 139, 144, D14/155, 167, 191, 192, 203.1, 203.3, D14/203.4, 203.5, 203.7, 248, 226, 218, D14/240, 344, 440, 341, 346, 448, 450, D14/496; D10/30–32, 37–39, 65, 70, 77, D10/78, 98, 104.1, 104.2, 125; D11/3–5, D11/12, 19, 25; D13/168; D3/215; D15/199; 381/364, 151; 379/433.1; 455/575.1, 575.3, 575.4, 575.6, 556.1, 455/556.2, 558, 90.3; 368/10, 13, 69, 223, 368/281, 282, 294, 295, 296; D21/329, D21/513; D24/167, 186

CPC ..... H04M 1/0227; H04M 1/03; H04M 1/04; G04G 9/00; G04G 17/00; G04G 17/04; G04G 17/06

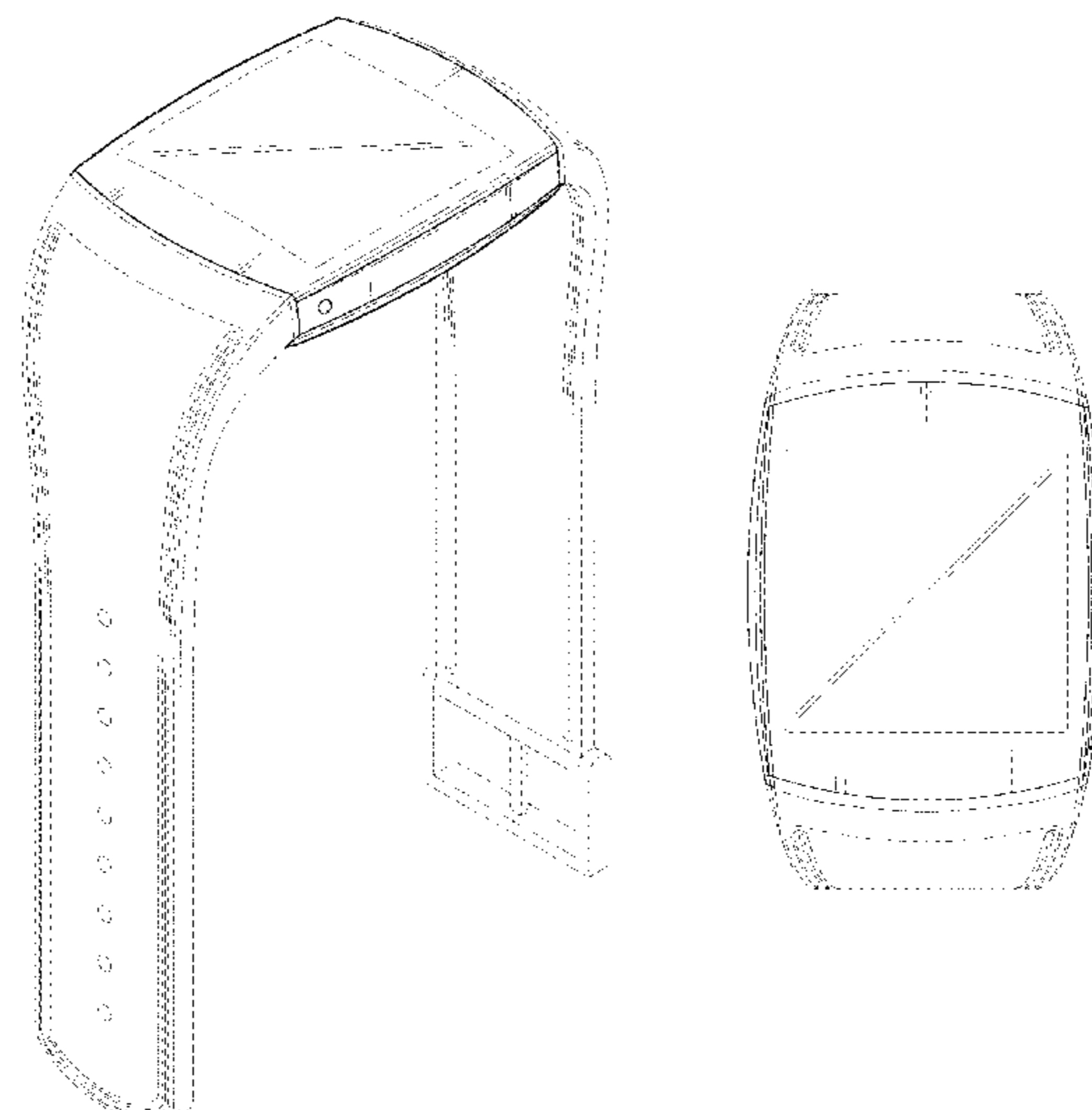
**DESCRIPTION**

FIG. 1 is a perspective view of a mobile phone showing our new design;  
 FIG. 2 is a front view thereof;  
 FIG. 3 is a rear view thereof;  
 FIG. 4 is a left side view thereof;  
 FIG. 5 is a right side view thereof;  
 FIG. 6 is a top plan view thereof; and,  
 FIG. 7 is a bottom plan view thereof.

The broken lines depict portions of the mobile phone that form no part of the claimed design. The dash-dot broken lines define the bounds of the claimed design and form no part thereof.

See application file for complete search history.

**1 Claim, 6 Drawing Sheets**



(56)

**References Cited**

U.S. PATENT DOCUMENTS

8,059,491	B1 *	11/2011	Hennings-Kampa	.....	368/14	9,069,333	B1 *	6/2015	Romans	.....	1/1
8,301,211	B2 *	10/2012	Lee et al.	.....	455/575.6	2010/0112949	A1 *	5/2010	Kim et al.	.....	455/41.3
D682,126	S *	5/2013	Tello	.....	D10/70	2010/0112964	A1 *	5/2010	Yi et al.	.....	455/90.3
D714,288	S *	9/2014	Aumiller et al.	.....	D14/344	2010/0128570	A1 *	5/2010	Smith et al.	.....	368/10
D720,510	S *	12/2014	Shin et al.	.....	D32/21	2010/0331145	A1 *	12/2010	Lakovic et al.	.....	482/8
D720,511	S *	12/2014	Shin et al.	.....	D32/21	2012/0122519	A1 *	5/2012	Jochheim	.....	455/556.1
D722,962	S *	2/2015	Kim et al.	.....	D13/108	2013/0045037	A1 *	2/2013	Schaffer	.....	400/472
D726,680	S *	4/2015	Kim et al.	.....	D14/138 R	2014/0073486	A1 *	3/2014	Ahmed et al.	.....	482/9
D728,624	S *	5/2015	Akana et al.	.....	D14/496	2014/0187233	A1 *	7/2014	Chen et al.	.....	455/422.1
						2014/0321245	A1 *	10/2014	Sharpe	.....	368/10
						2015/0131216	A1 *	5/2015	Huang et al.	.....	361/679.03

\* cited by examiner

FIG. 1

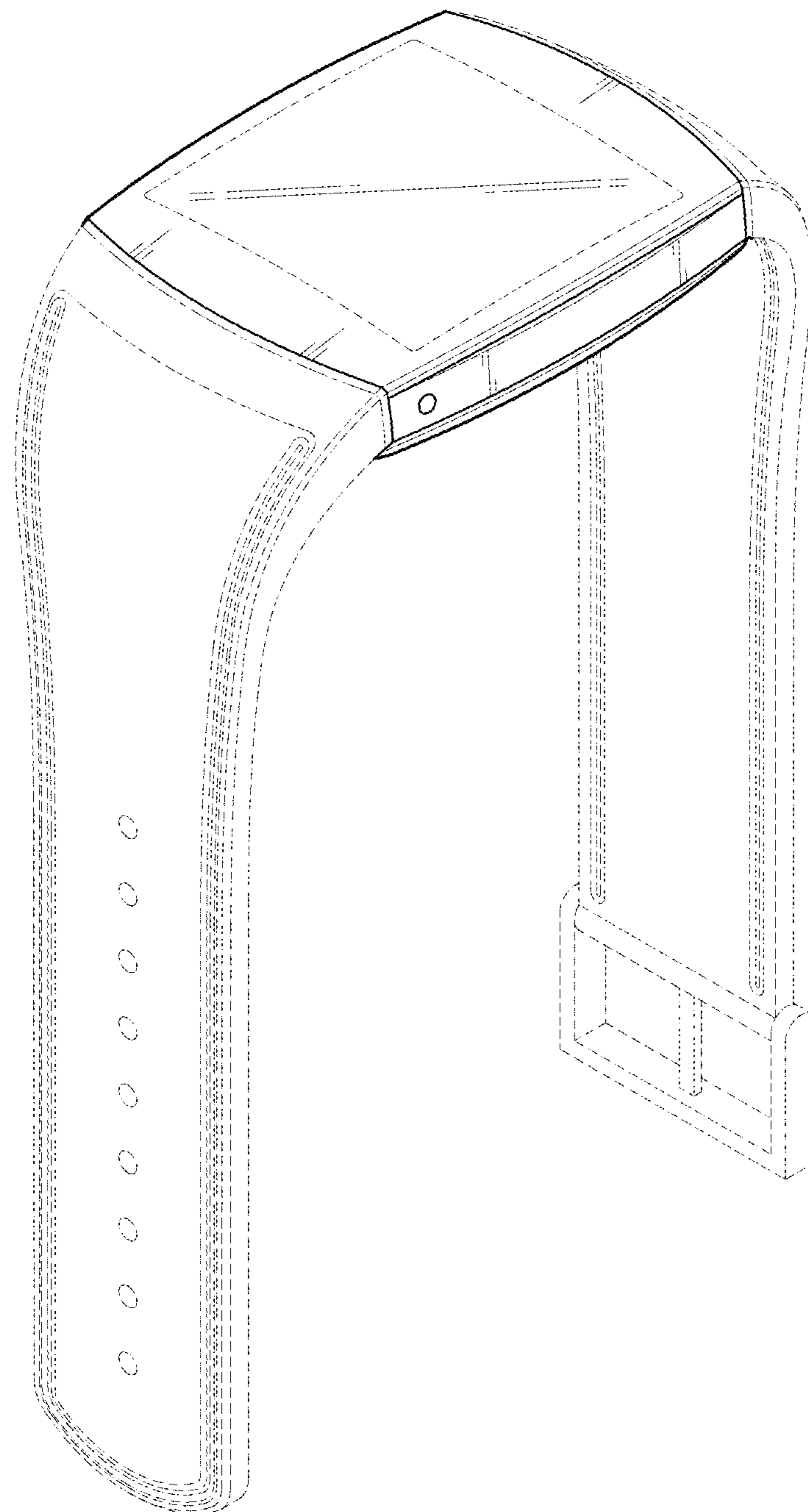


FIG. 2

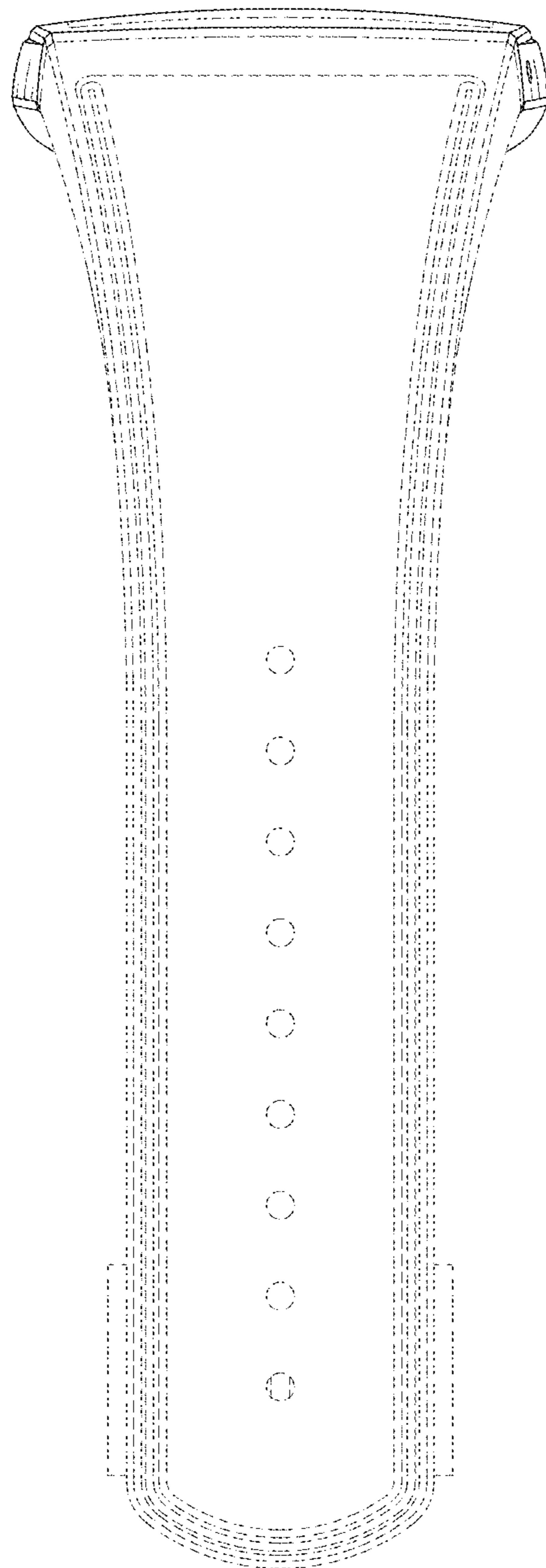


FIG. 3

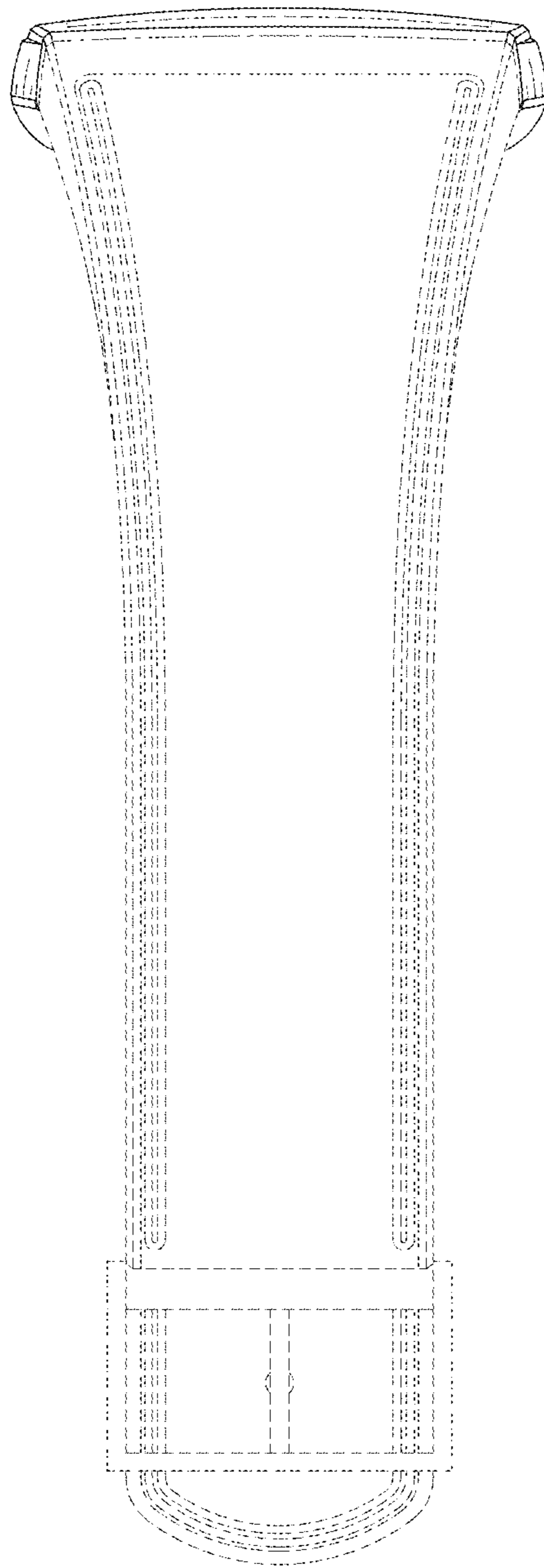


FIG. 4

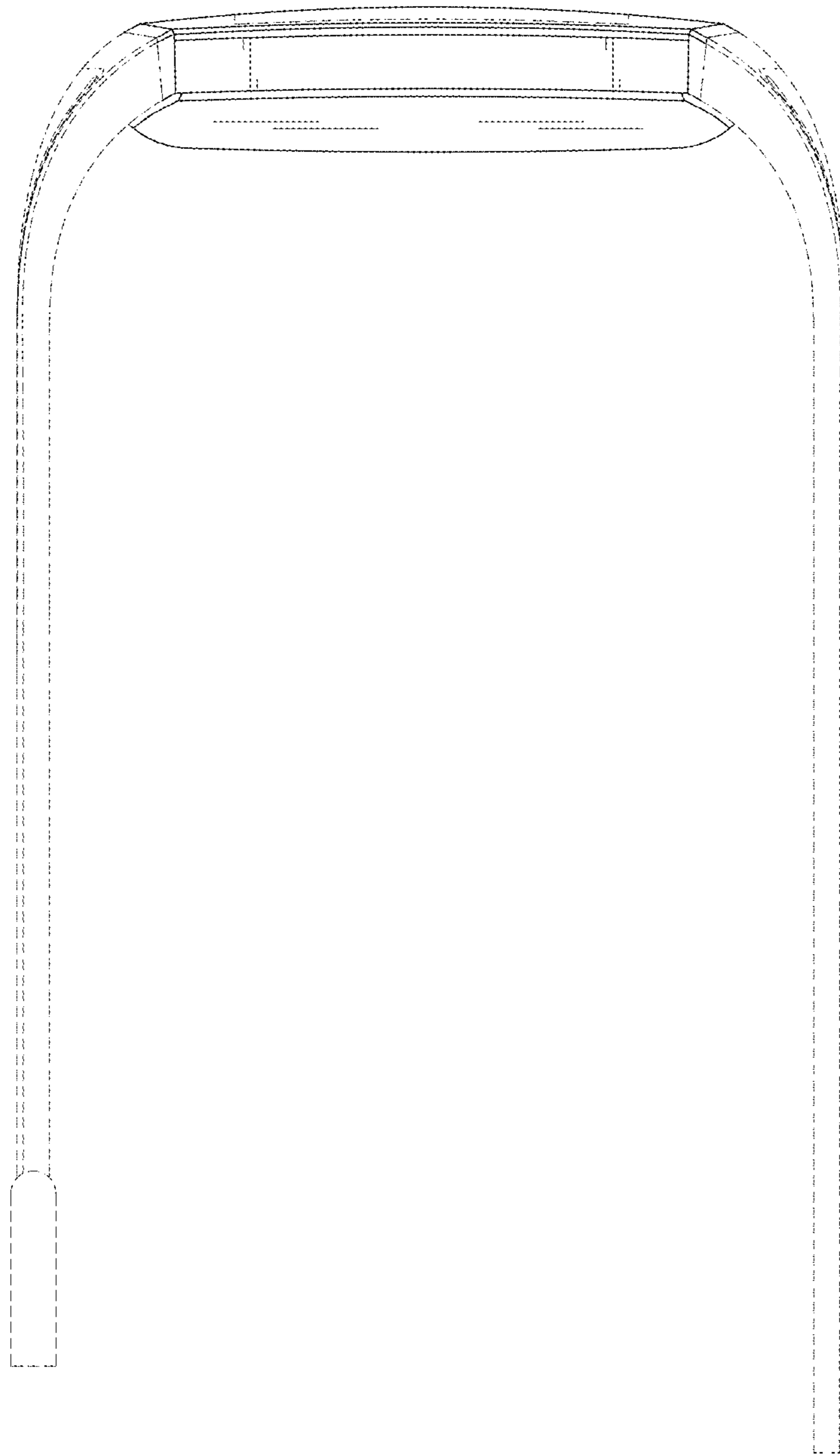


FIG. 5

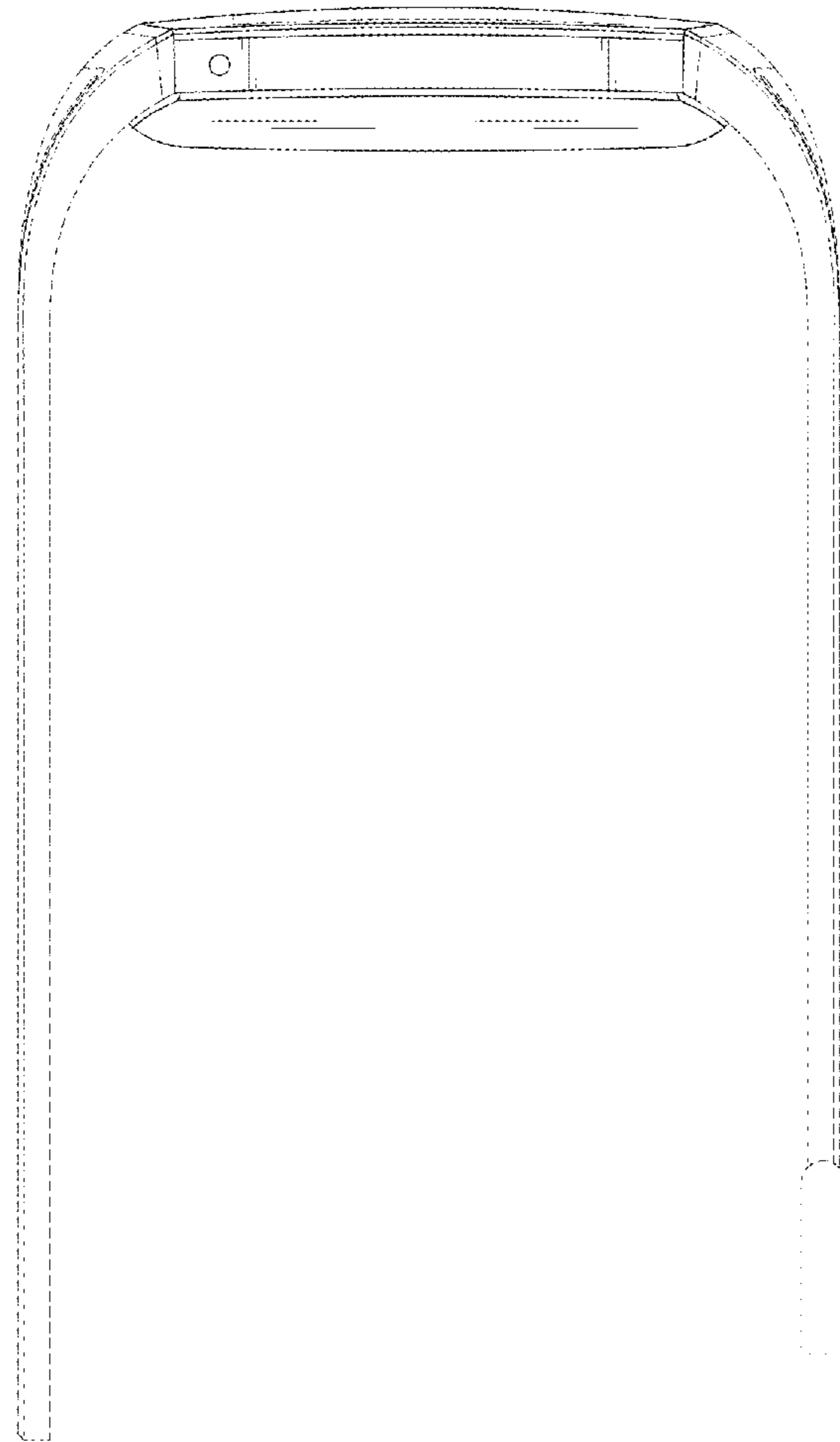


FIG. 6

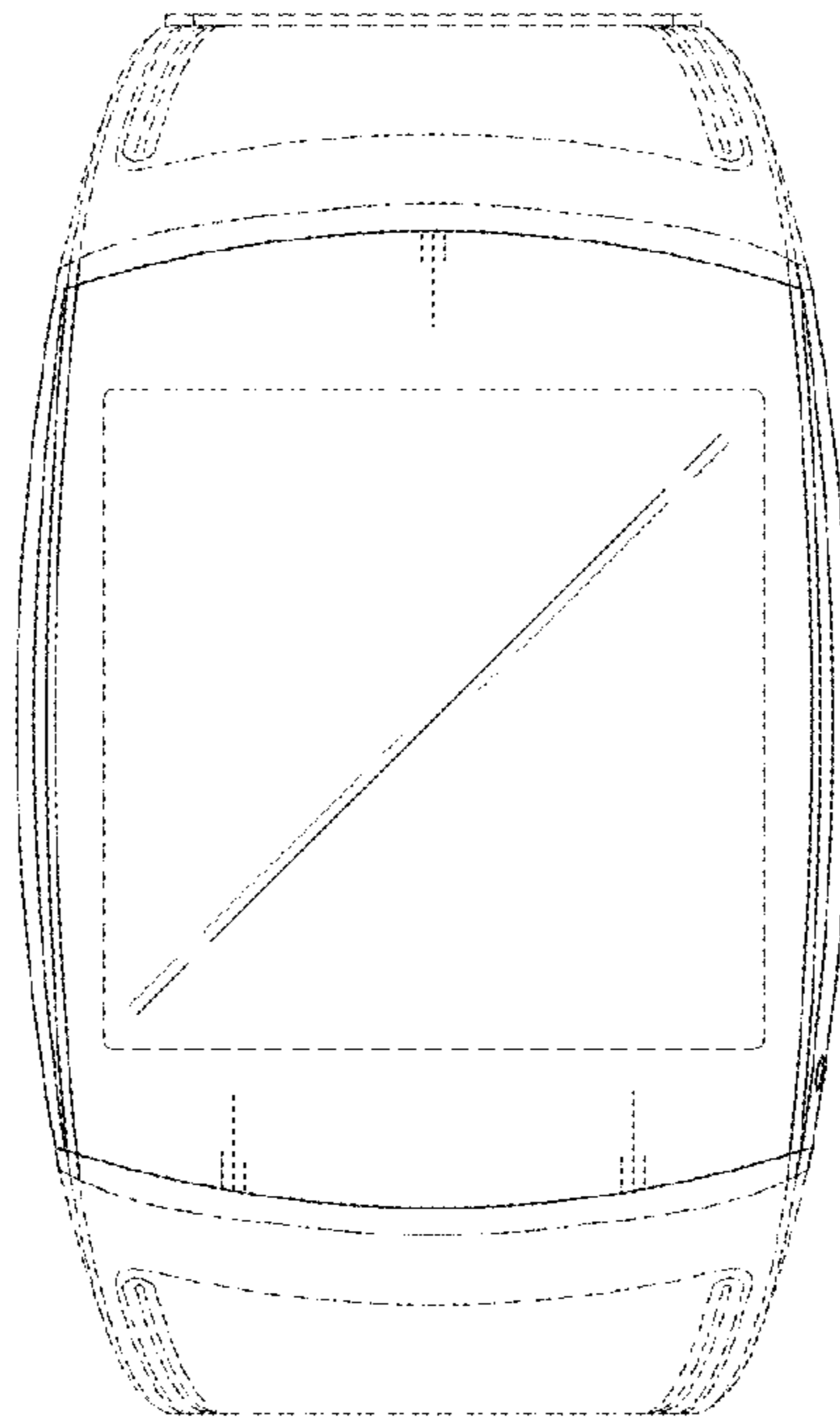


FIG. 7

