



US00D743390S

(12) **United States Design Patent**
Lyles et al.

(10) **Patent No.:** **US D743,390 S**

(45) **Date of Patent:** **** Nov. 17, 2015**

(54) **PORTABLE INFORMATION HANDLING
SYSTEM HOUSING**

(71) Applicant: **Dell Products L.P.**, Round Rock, TX
(US)

(72) Inventors: **Justin C. Lyles**, San Diego, CA (US);
Paul J. Doczy, Austin, TX (US)

(73) Assignee: **Dell Products L.P.**, Round Rock, TX
(US)

(**) Term: **14 Years**

(21) Appl. No.: **29/494,943**

(22) Filed: **Jun. 25, 2014**

(51) **LOC (10) Cl.** **14-02**

(52) **U.S. Cl.**
USPC **D14/315**

(58) **Field of Classification Search**

USPC D14/315-327, 341; D18/1, 2, 7, 11;
235/145 A, 145 R; 341/22, 23; 345/104,
345/156, 168, 169, 173; 361/679.08,
361/679.09, 679.11, 679.26, 679.27
CPC G06F 1/16; G06F 1/1616; G06F 1/1626;
G06F 1/1632; H01R 11/00; G09B 13/04;
H03K 17/94

See application file for complete search history.

(56) **References Cited**

U.S. PATENT DOCUMENTS

7,690,576 B2 * 4/2010 Ladouceur et al. 235/486
D615,539 S * 5/2010 Jen D14/315

(Continued)

Primary Examiner — Freda S Nunn

(74) *Attorney, Agent, or Firm* — Terrile, Cannatti, Chambers
& Holland, LLP; Robert W. Holland

(57) **CLAIM**

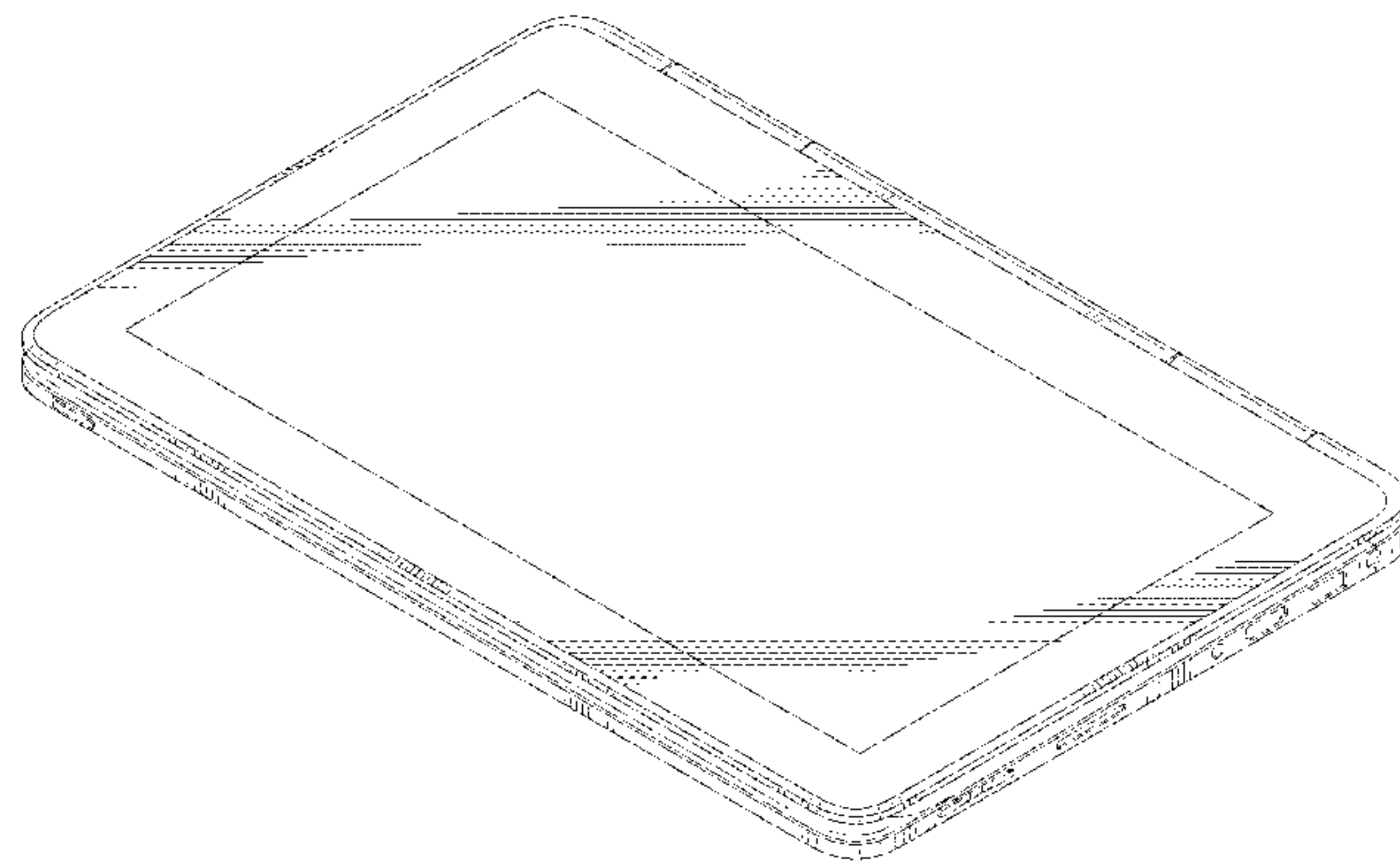
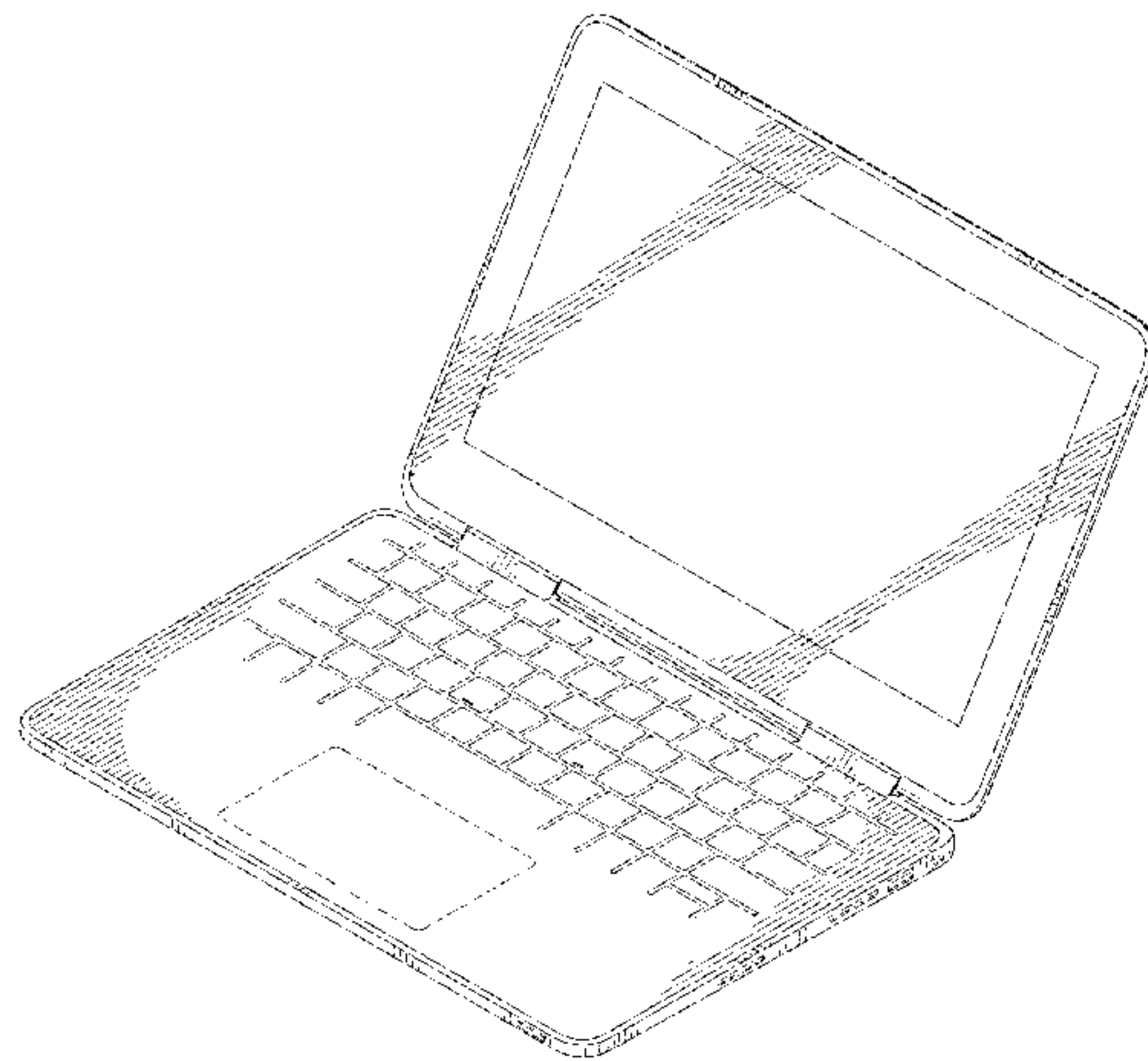
The ornamental design for a portable information handling
system housing, as shown and described.

DESCRIPTION

FIG. 1 is a front perspective view of a portable information
handling system housing comprising the present invention;
FIG. 2 is a front view thereof;
FIG. 3 is a rear view thereof;
FIG. 4 is a left side view thereof;
FIG. 5 is a right side view thereof;
FIG. 6 is a top view thereof;
FIG. 7 is a bottom view thereof;
FIG. 8 is a front perspective view in an open position thereof;
FIG. 9 is another front view in an open position thereof;
FIG. 10 is another rear view in an open position thereof;
FIG. 11 is a left side view in an open position thereof;
FIG. 12 is a right side view in an open position thereof;
FIG. 13 is a top view in an open position thereof;
FIG. 14 is a bottom view in an open position thereof;
FIG. 15 is a front perspective view in a tablet position thereof;
FIG. 16 is a front view in a tablet position thereof;
FIG. 17 is a rear view in a tablet position thereof;
FIG. 18 is a left side view in a tablet position thereof;
FIG. 19 is a right side view in a tablet position thereof;
FIG. 20 is a top view in a tablet position thereof; and,
FIG. 21 is a bottom view in a tablet position thereof.

Broken lines shown in the drawings illustrate portions of the
portable information handling system housing and form no
part of the claimed design.

1 Claim, 17 Drawing Sheets



US D743,390 S

Page 2

(56)

References Cited

U.S. PATENT DOCUMENTS

D705,218 S *	5/2014	Chae et al.	D14/315
2004/0160736 A1 *	8/2004	Lin	361/683
2006/0038795 A1 *	2/2006	Lee	345/173
D649,543 S *	11/2011	Tseng et al.	D14/315

* cited by examiner

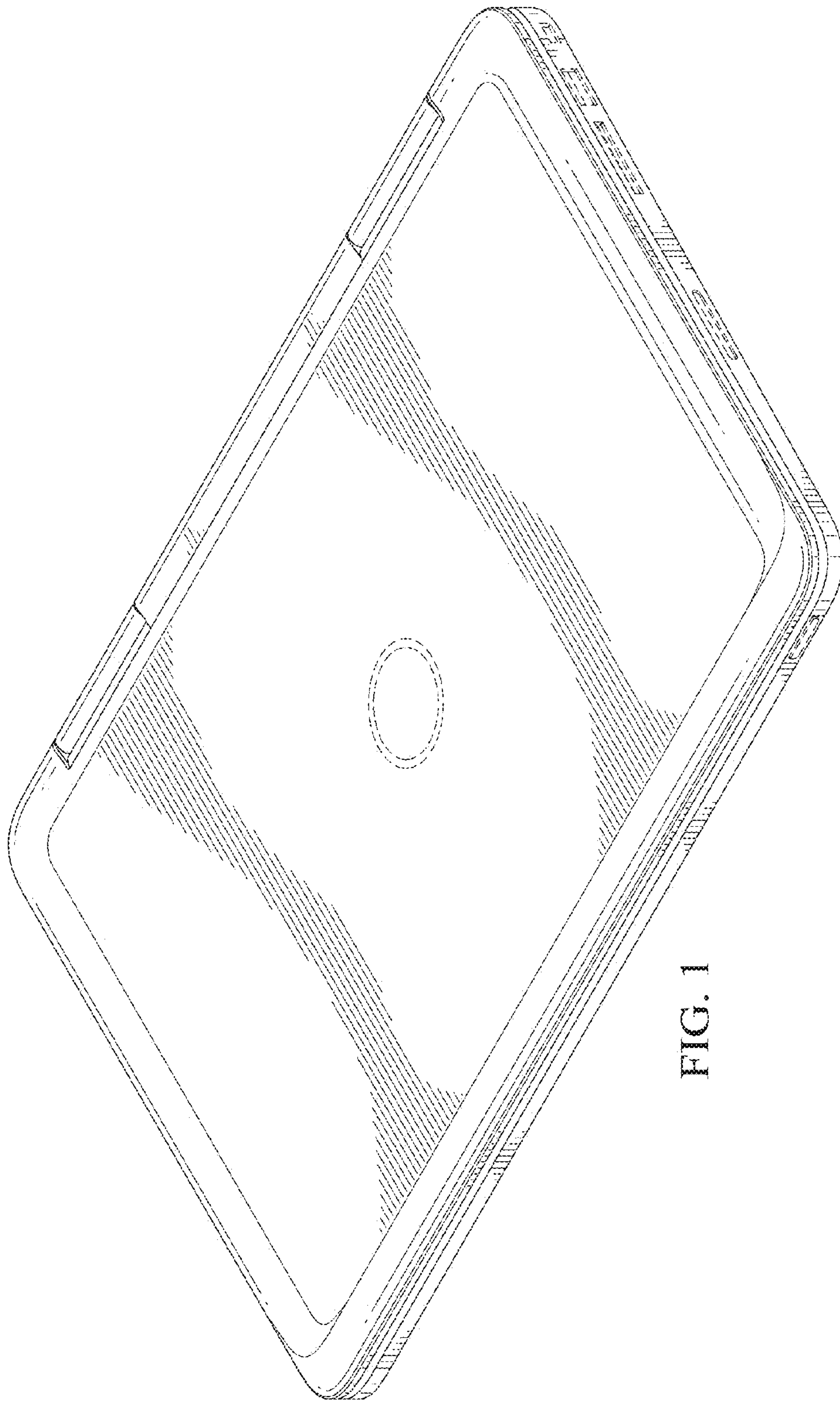


FIG. 1



FIG. 2

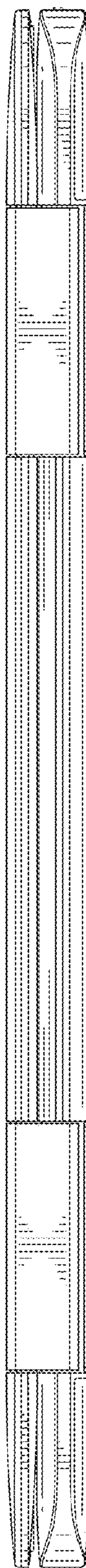


FIG. 3

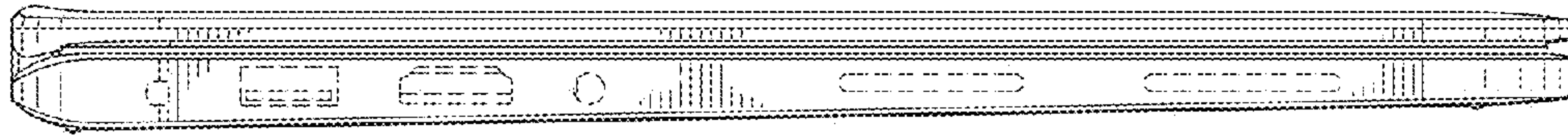


FIG. 4

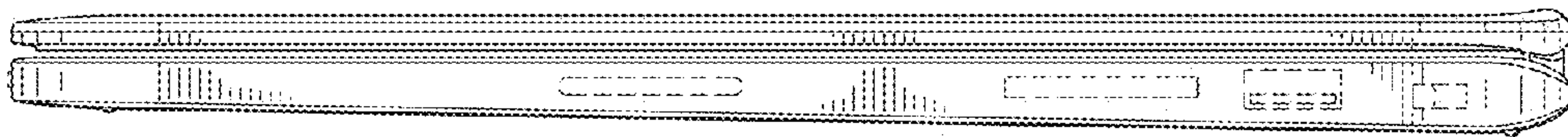


FIG. 5

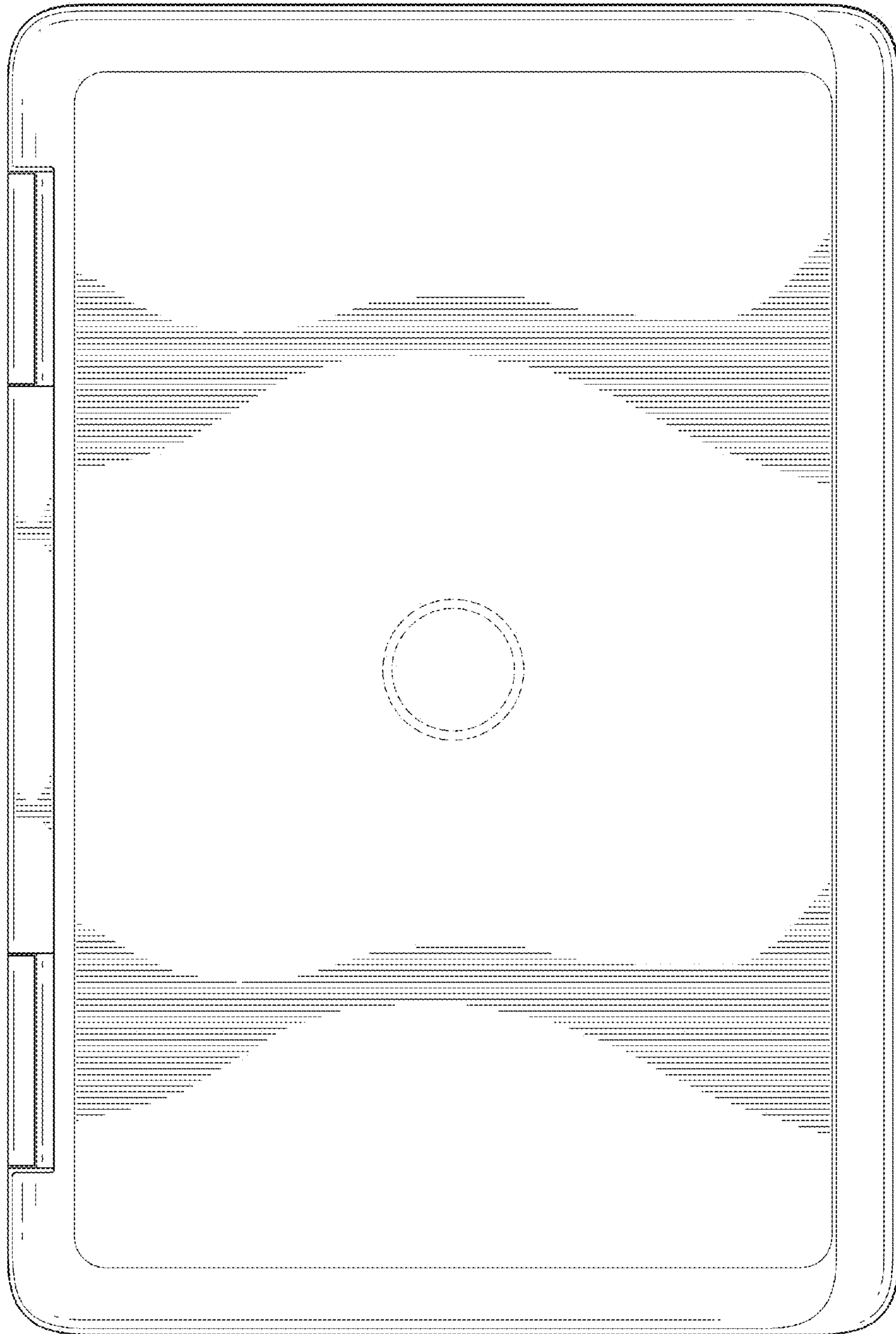


FIG. 6

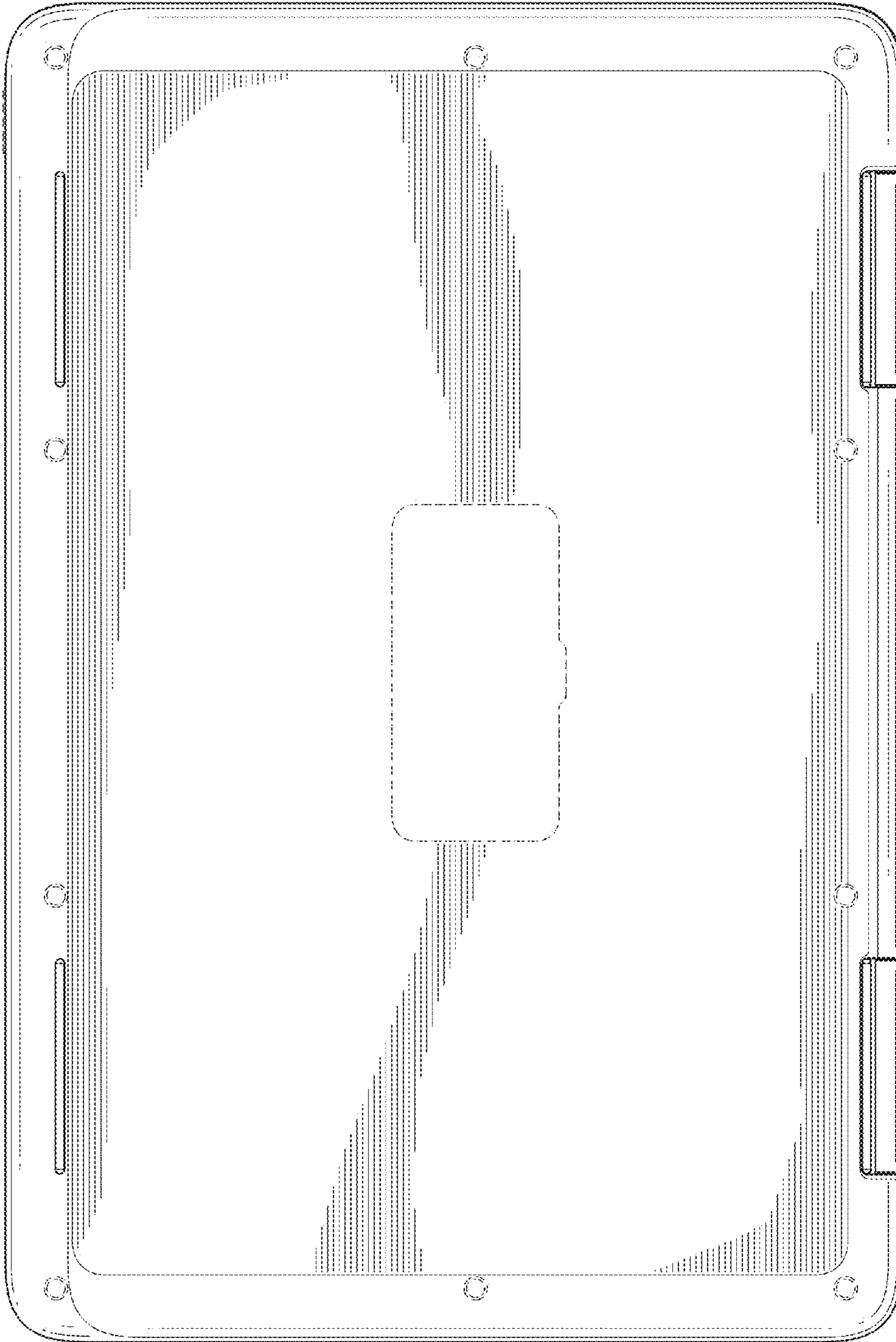


FIG. 7

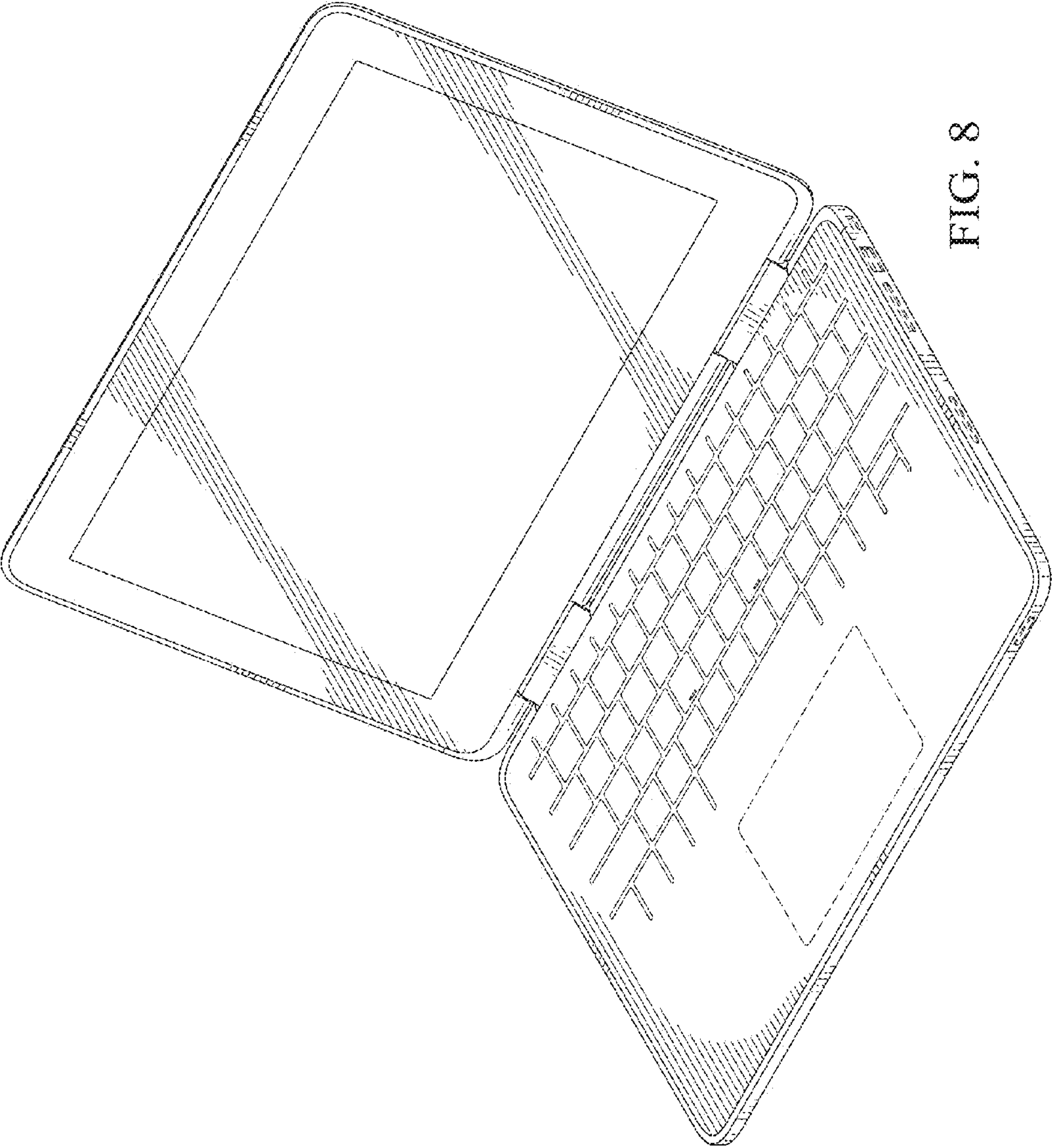


FIG. 8

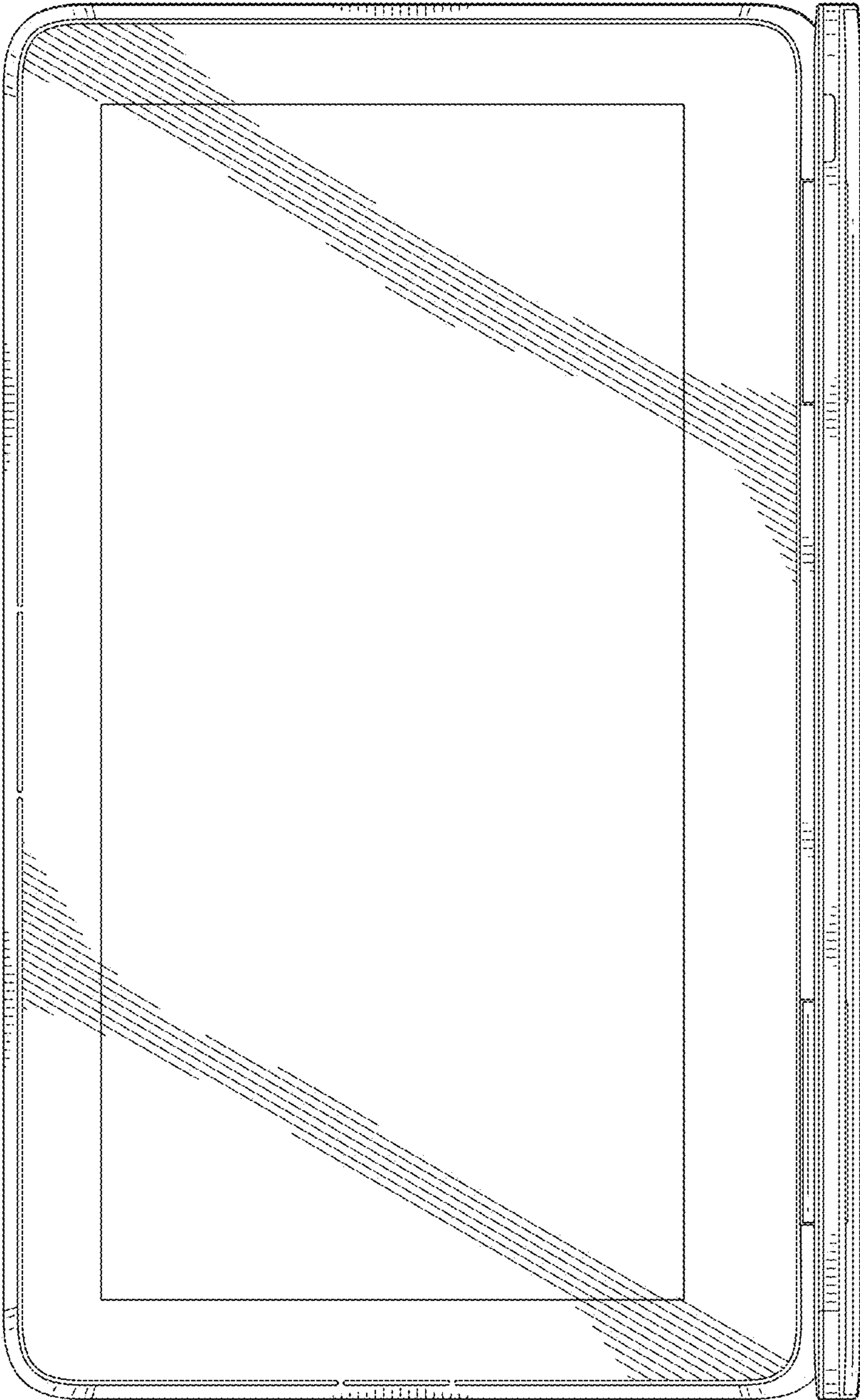


FIG. 9

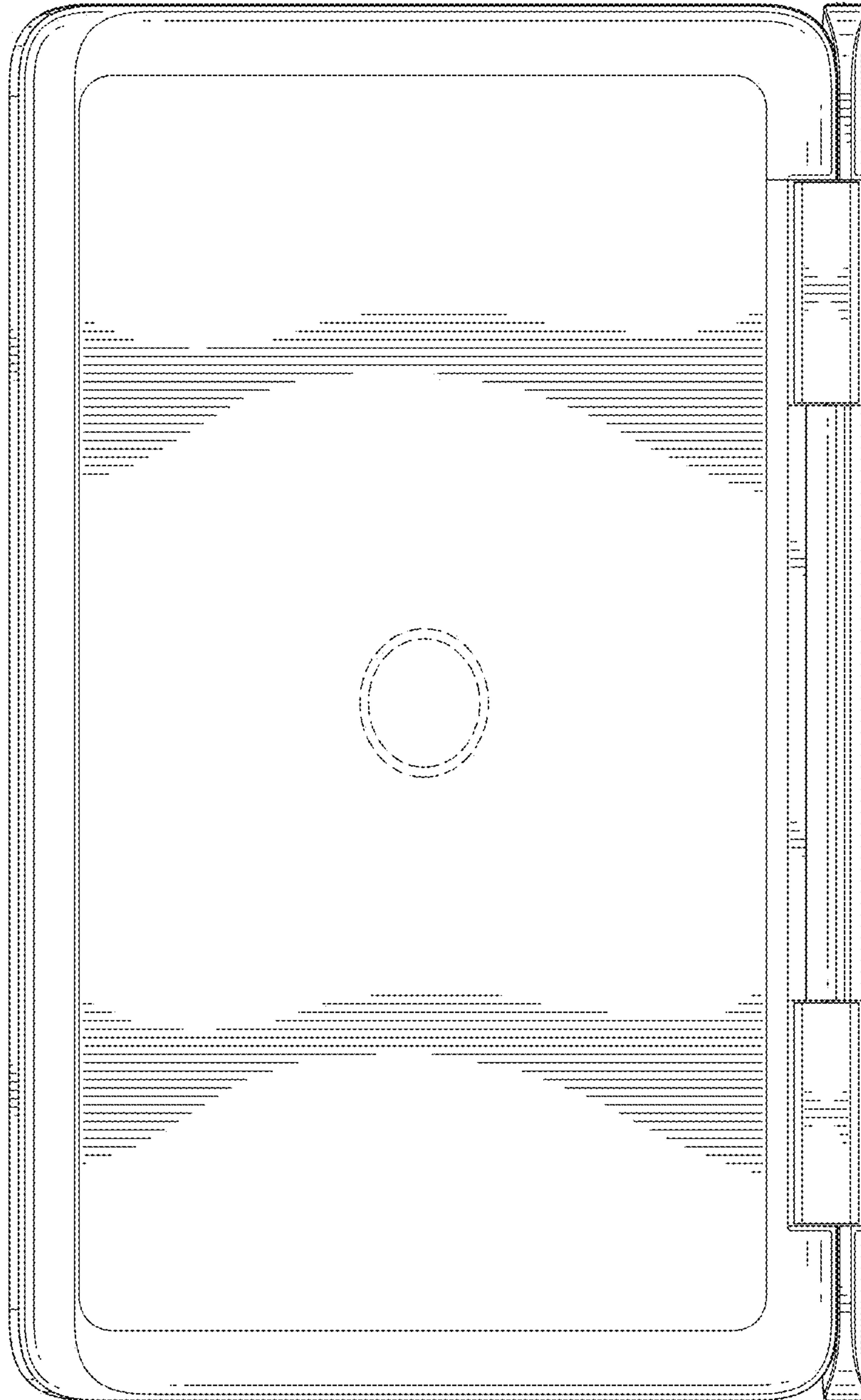


FIG. 10

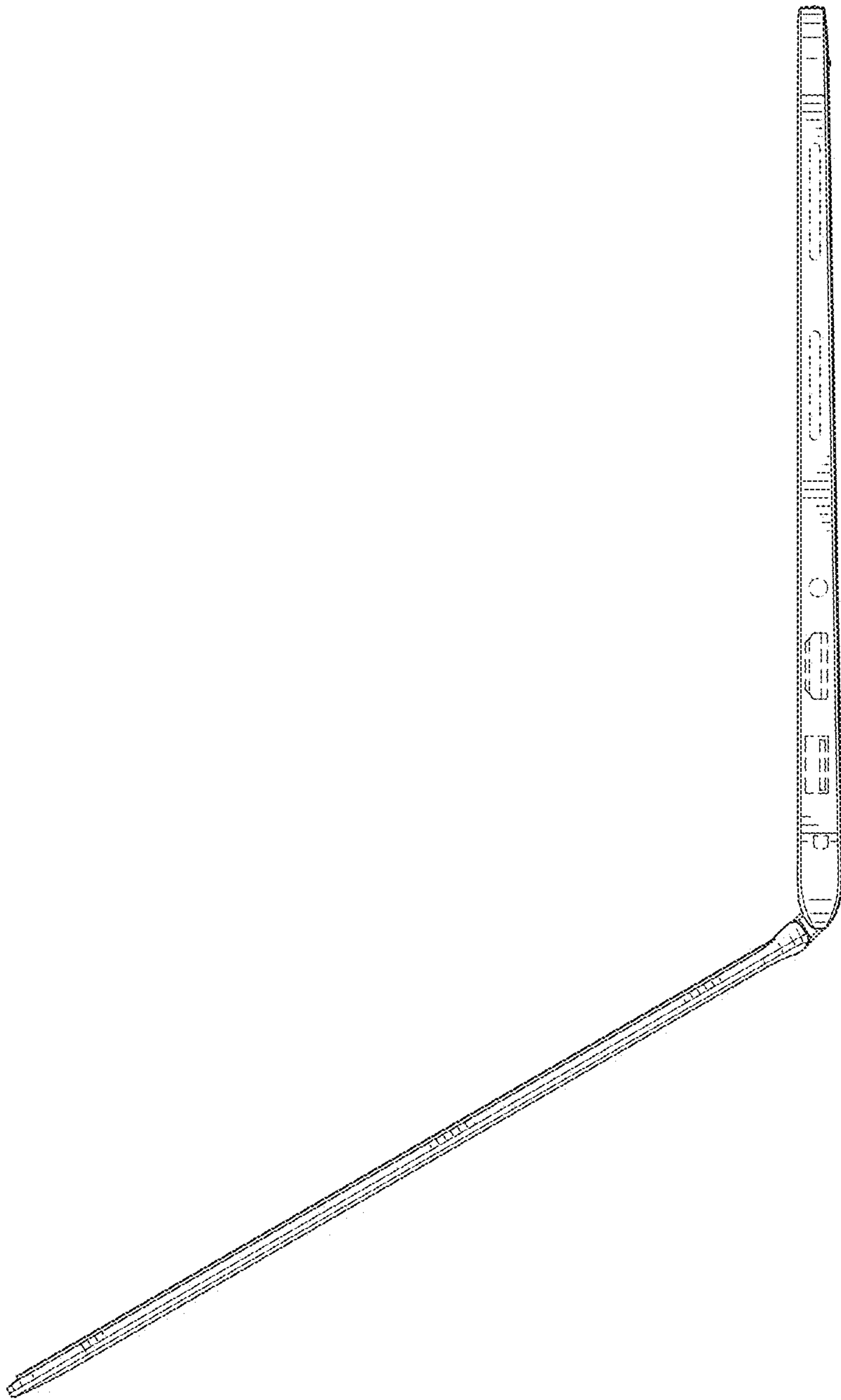


FIG. 11

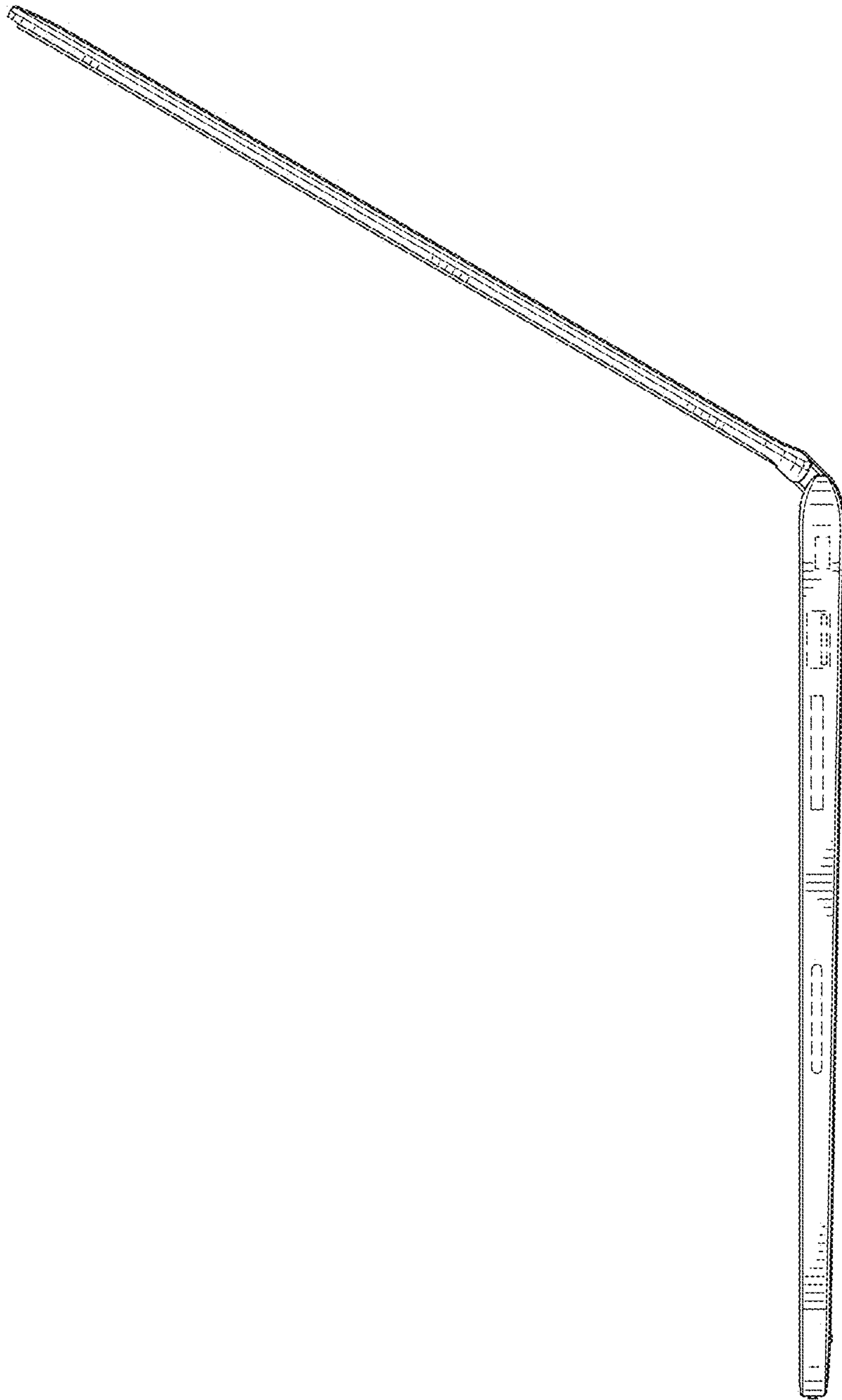


FIG. 12

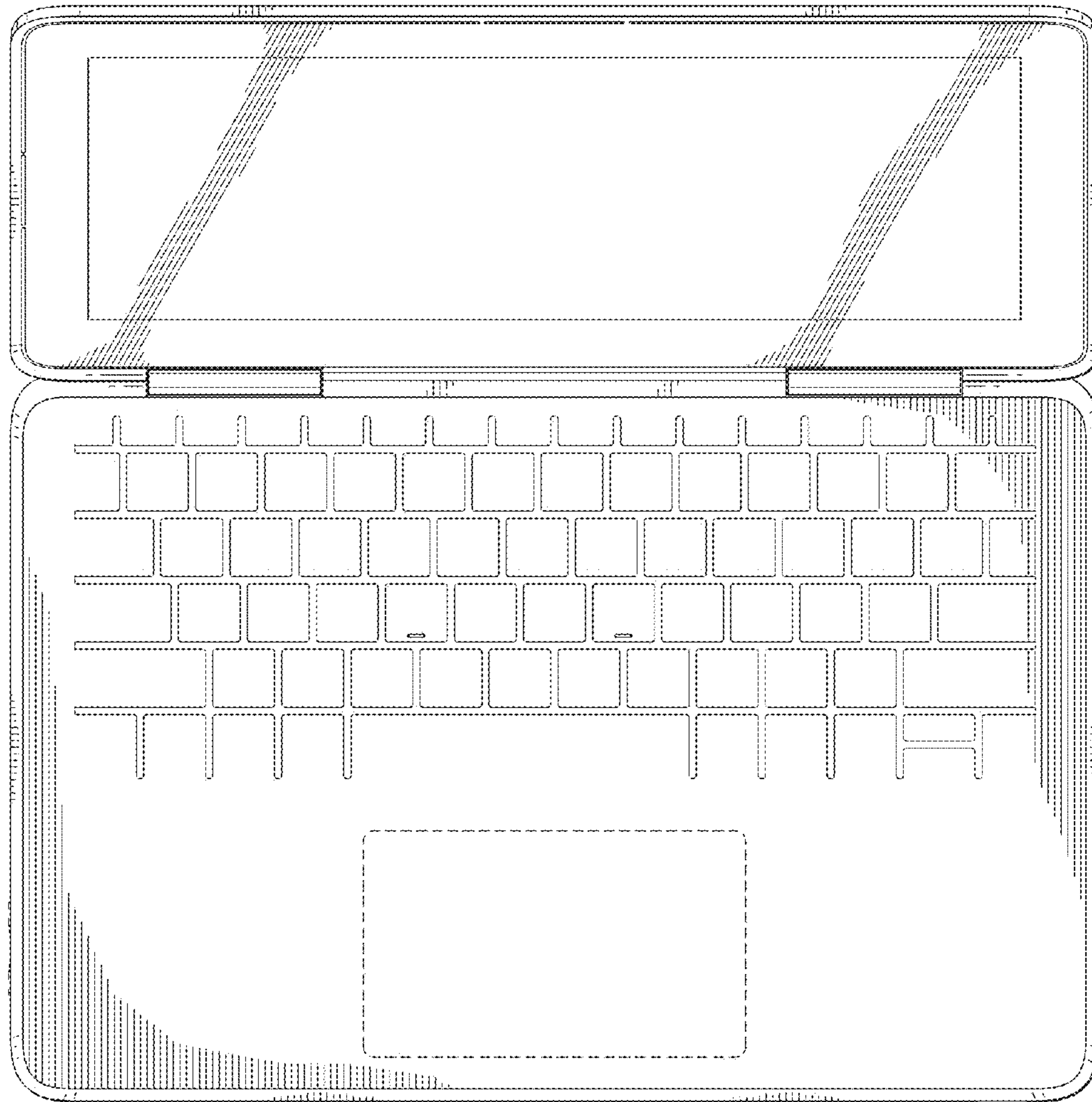


FIG. 13

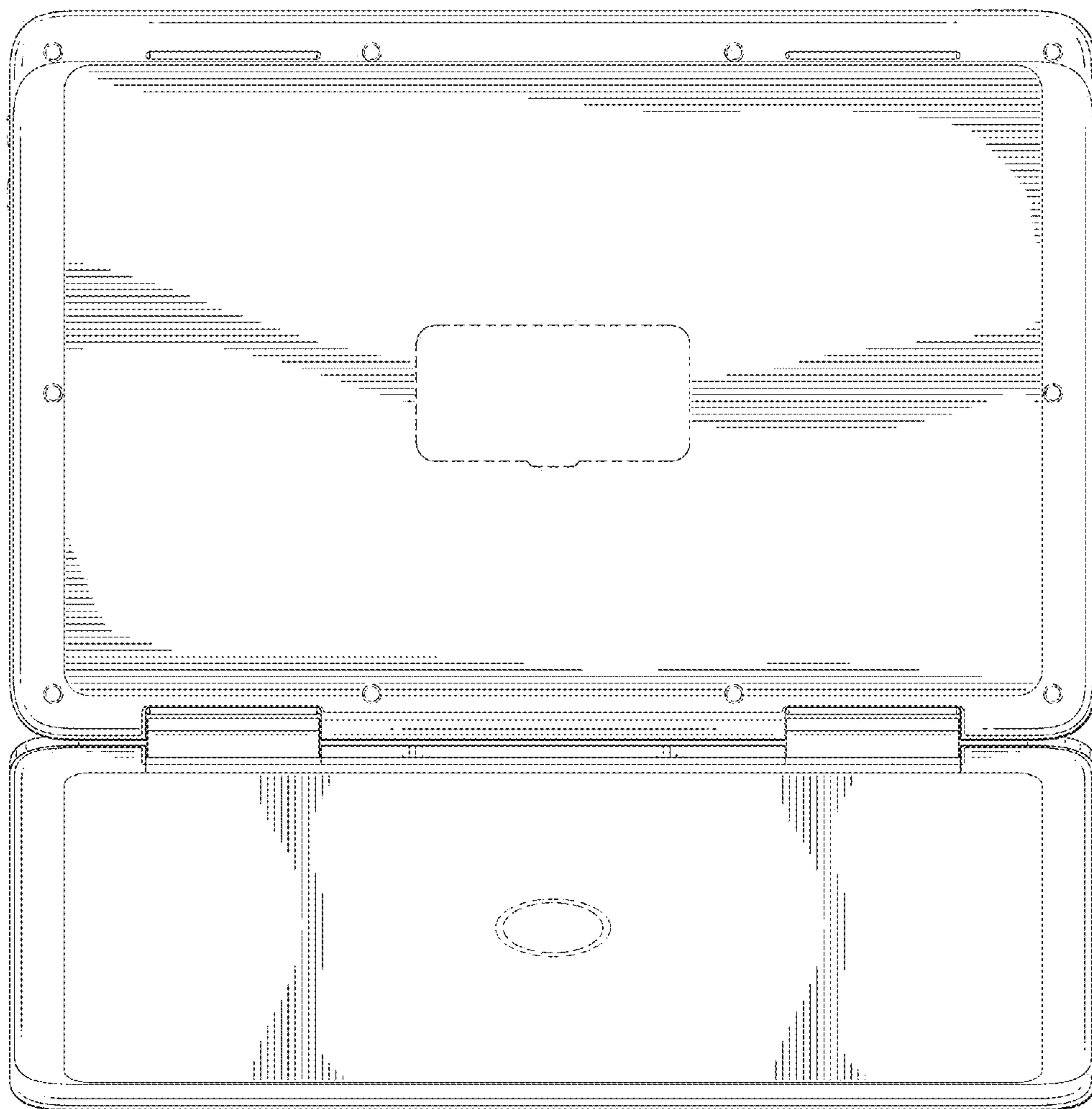


FIG. 14

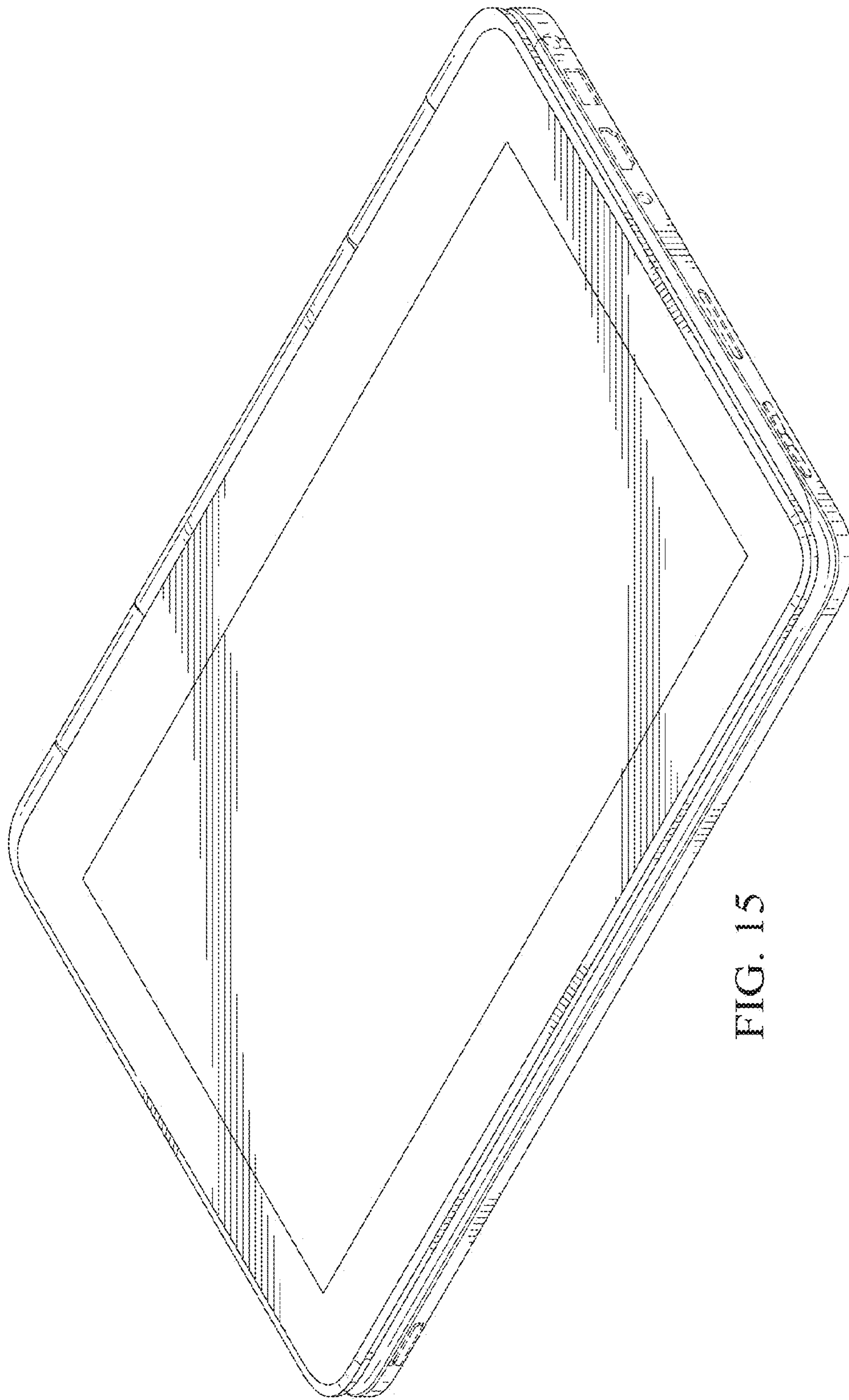


FIG. 15

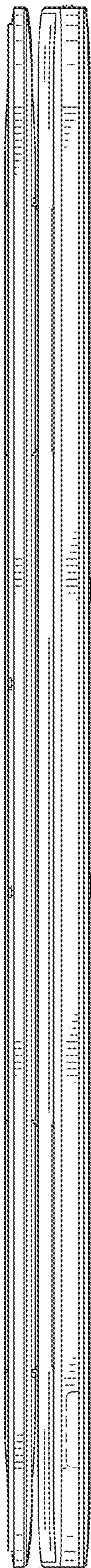


FIG. 16

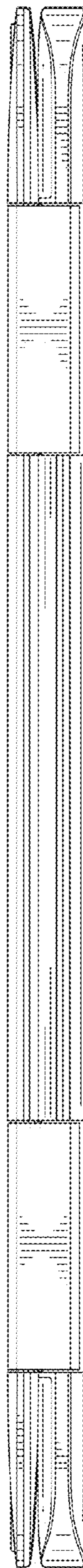


FIG. 17

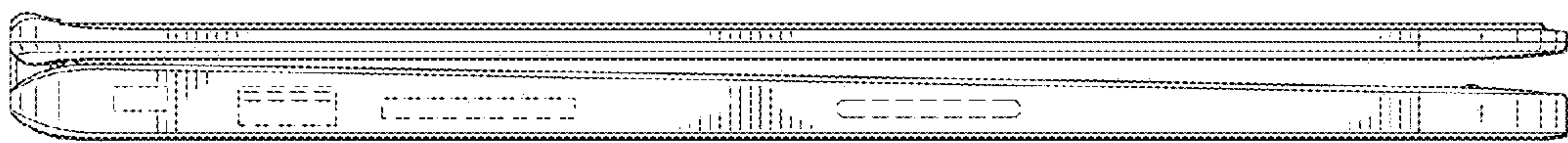


FIG. 18

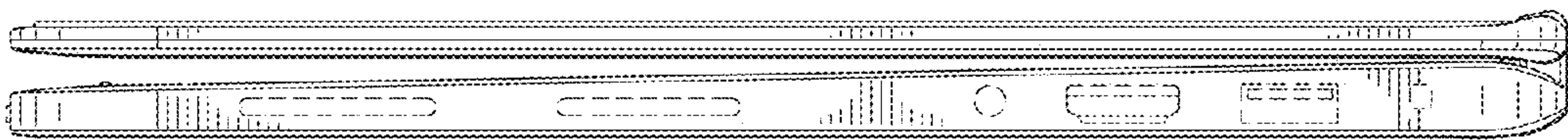


FIG. 19

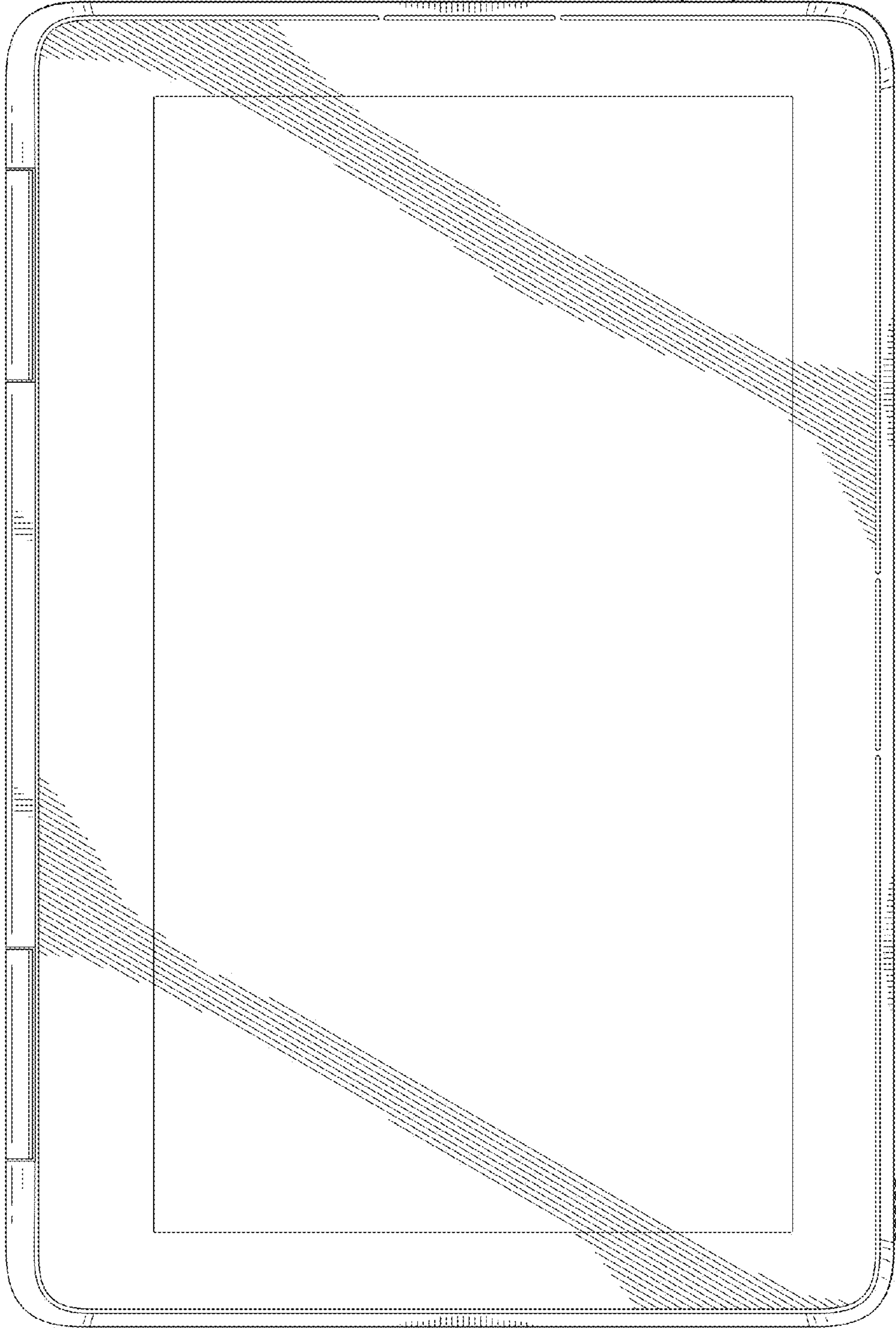


FIG. 20

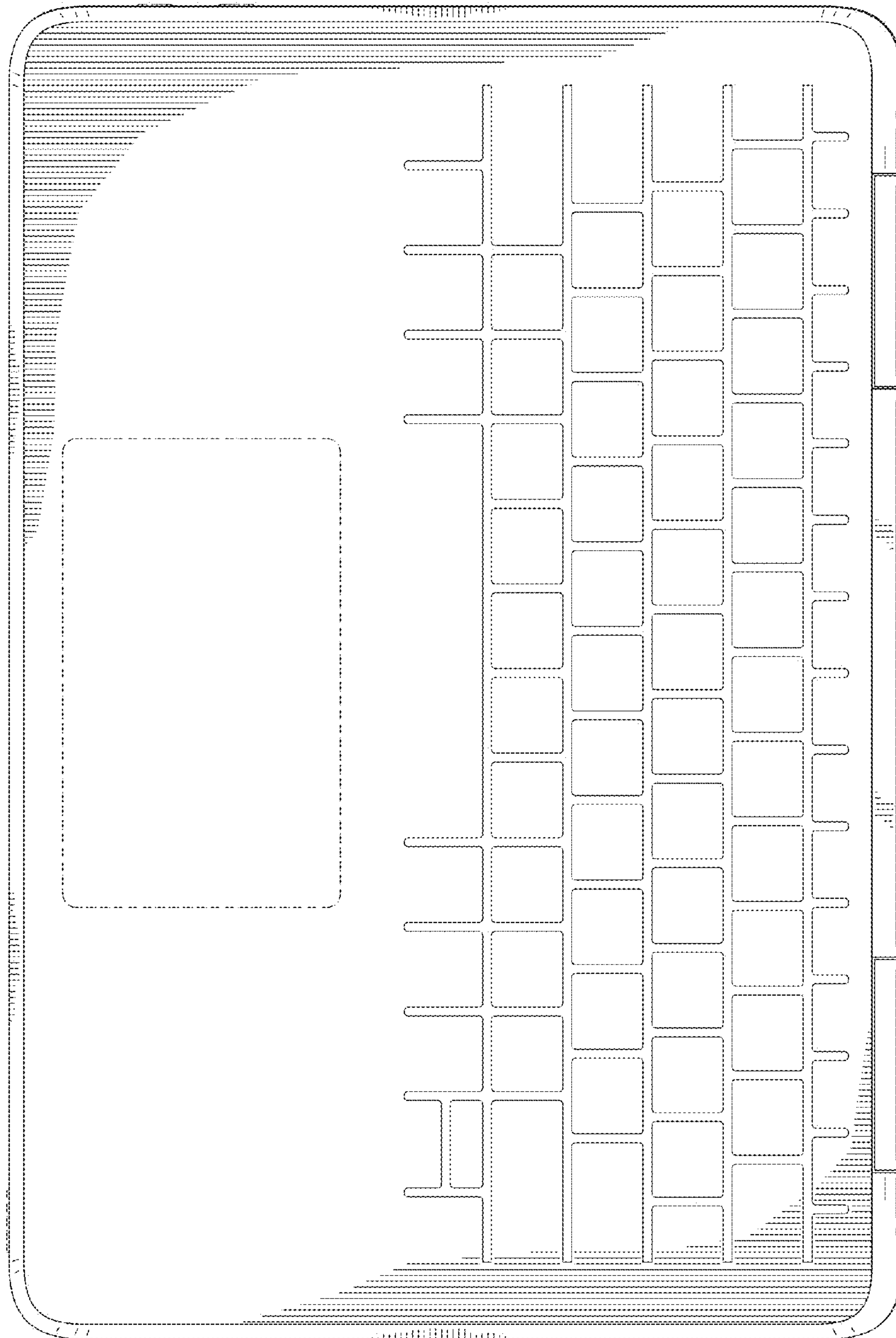


FIG. 21