

US00D743389S

(12) **United States Design Patent**
Akana et al.

(10) **Patent No.:** **US D743,389 S**
(45) **Date of Patent:** **** Nov. 17, 2015**

(54) **CASE FOR ELECTRONIC DEVICE**

CPC A45C 2011/002; A45C 11/00; A45C
13/002; A45C 2011/003; H04M 1/0283;
H04M 1/0202

(71) Applicant: **Apple Inc.**, Cupertino, CA (US)

See application file for complete search history.

(72) Inventors: **Jody Akana**, San Francisco, CA (US);
Bartley K. Andre, Palo Alto, CA (US);
Shota Aoyagi, San Francisco, CA (US);
Jeremy Bataillou, San Francisco, CA
(US); **Daniel J. Coster**, San Francisco,
CA (US); **Daniele De Iuliis**, San
Francisco, CA (US); **M. Evans Hankey**,
San Francisco, CA (US); **Julian Hoenig**,
San Francisco, CA (US); **Richard P.**
Howarth, San Francisco, CA (US);
Jonathan P. Ive, San Francisco, CA
(US); **Duncan Robert Kerr**, San
Francisco, CA (US); **Matthew Dean**
Rohrbach, San Francisco, CA (US);
Peter Russell-Clarke, San Francisco,
CA (US); **Mikael Silvanto**, San
Francisco, CA (US); **Christopher J.**
Stringer, Woodside, CA (US); **Eugene**
Antony Whang, San Francisco, CA
(US); **Rico Zörkendörfer**, San
Francisco, CA (US)

(56) **References Cited**

U.S. PATENT DOCUMENTS

D114,891 S 5/1939 Fogel
D191,070 S 8/1961 McCreery

(Continued)

FOREIGN PATENT DOCUMENTS

KR 30-0631697 3/2012

OTHER PUBLICATIONS

U.S. Appl. No. 29/380,128, filed Nov. 30, 2010.

(Continued)

Primary Examiner — Carla Jobe Wright

Assistant Examiner — Holly E Thurman

(74) *Attorney, Agent, or Firm* — Sterne, Kessler, Goldstein
& Fox P.L.L.C.

(73) Assignee: **Apple Inc.**, Cupertino, CA (US)

(57) **CLAIM**

(**) Term: **14 Years**

The ornamental design for a case for electronic device, as
shown and described.

(21) Appl. No.: **29/466,580**

DESCRIPTION

(22) Filed: **Sep. 9, 2013**

(51) **LOC (10) Cl.** **14-03**

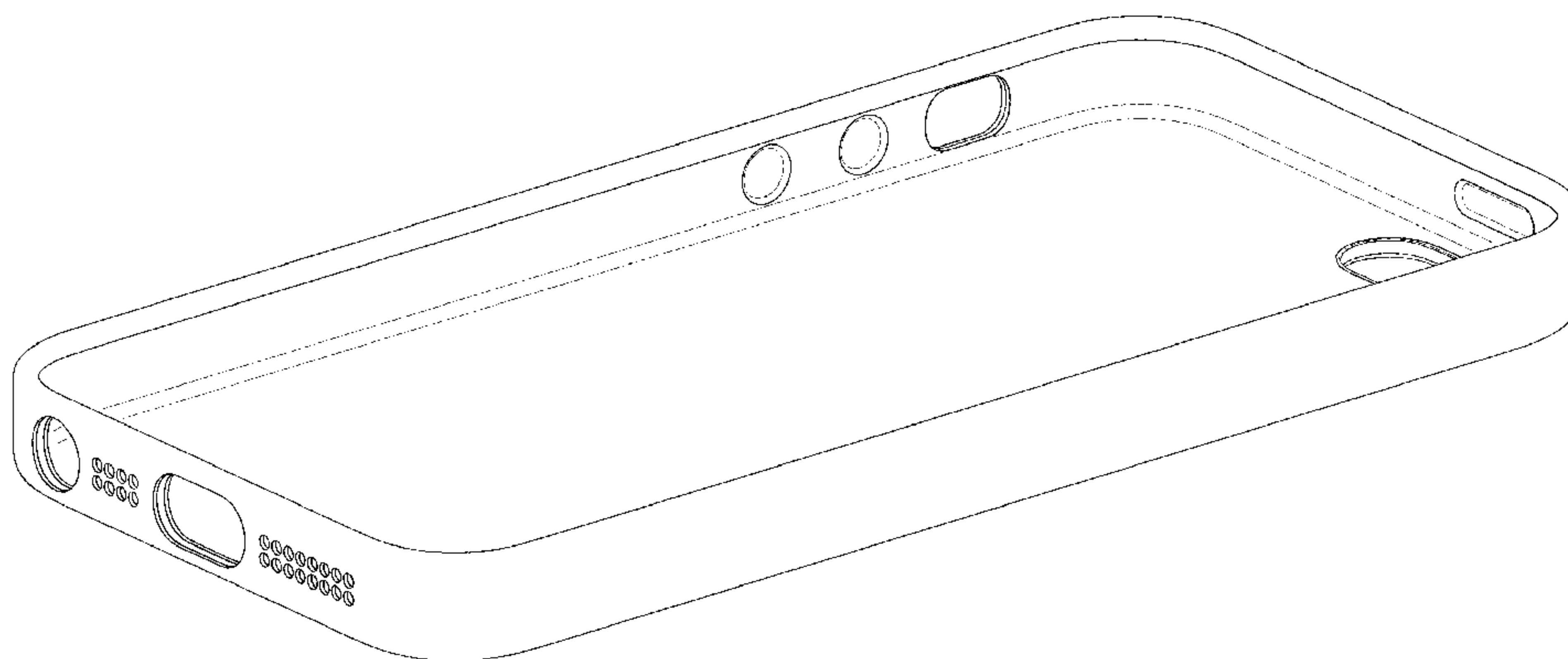
(52) **U.S. Cl.**
USPC **D14/250**

(58) **Field of Classification Search**

USPC D14/250–253, 440, 203.3–203.7, 217,
D14/496, 248, 238.1, 240, 447; D3/201,
D3/218, 269, 301, 273, 303; D13/103,
D13/107–108; 220/4.02; 248/309.1;
361/679.56; 379/426, 433.11, 455;
455/575.1, 575.8; 190/100; 206/305,
206/320

FIG. 1 is a bottom front perspective view of a case for elec-
tronic device showing our new design;
FIG. 2 is a bottom rear perspective view thereof;
FIG. 3 is a top front perspective view thereof;
FIG. 4 is a top rear perspective view thereof;
FIG. 5 is a front view thereof;
FIG. 6 is a rear view thereof;
FIG. 7 is a left side view thereof;
FIG. 8 is a right side view thereof;
FIG. 9 is a top view thereof; and,
FIG. 10 is a bottom view thereof.

1 Claim, 8 Drawing Sheets



(56)

References Cited

U.S. PATENT DOCUMENTS

D411,448 S 6/1999 Baker
 D556,681 S 12/2007 Kim
 D574,819 S 8/2008 Andre et al.
 D575,056 S 8/2008 Tan
 7,697,281 B2 4/2010 Dabov et al.
 D619,361 S 7/2010 Andre et al.
 D622,716 S 8/2010 Andre et al.
 D623,180 S 9/2010 Diebel
 D624,403 S 9/2010 Hansen et al.
 7,796,381 B2 9/2010 Zuo et al.
 D624,815 S 10/2010 Hansen et al.
 D625,524 S 10/2010 Schwartz et al.
 D644,218 S * 8/2011 Akana et al. D14/341
 D647,519 S 10/2011 Rothbaum et al.
 D648,718 S 11/2011 Andre et al.
 D662,503 S 6/2012 Akana et al.
 8,250,724 B2 8/2012 Dabov et al.
 D669,071 S * 10/2012 Akana et al. D14/341

D671,930 S * 12/2012 Akana et al. D14/250
 D674,789 S * 1/2013 Wen D14/250
 D677,664 S 3/2013 Akana et al.
 D681,032 S 4/2013 Akana et al.
 D684,571 S * 6/2013 Akana et al. D14/341
 D692,878 S * 11/2013 Akana et al. D14/341
 8,655,422 B2 * 2/2014 Stiehl et al. 455/575.8
 D706,255 S * 6/2014 Akana et al. D14/250
 D714,770 S * 10/2014 Nolan et al. D14/250
 D719,559 S * 12/2014 Dukerschein et al. D14/250
 D721,360 S * 1/2015 Laffon De Mazieres
 et al. D14/250
 2010/0146766 A1 6/2010 Dabov et al.
 2011/0192510 A1 * 8/2011 Bau 150/154
 2012/0018325 A1 * 1/2012 Kim 206/320

OTHER PUBLICATIONS

U.S. Appl. No. 29/452,631, filed Apr. 18, 2013.
 U.S. Appl. No. 29/453,041, filed Apr. 24, 2013.

* cited by examiner

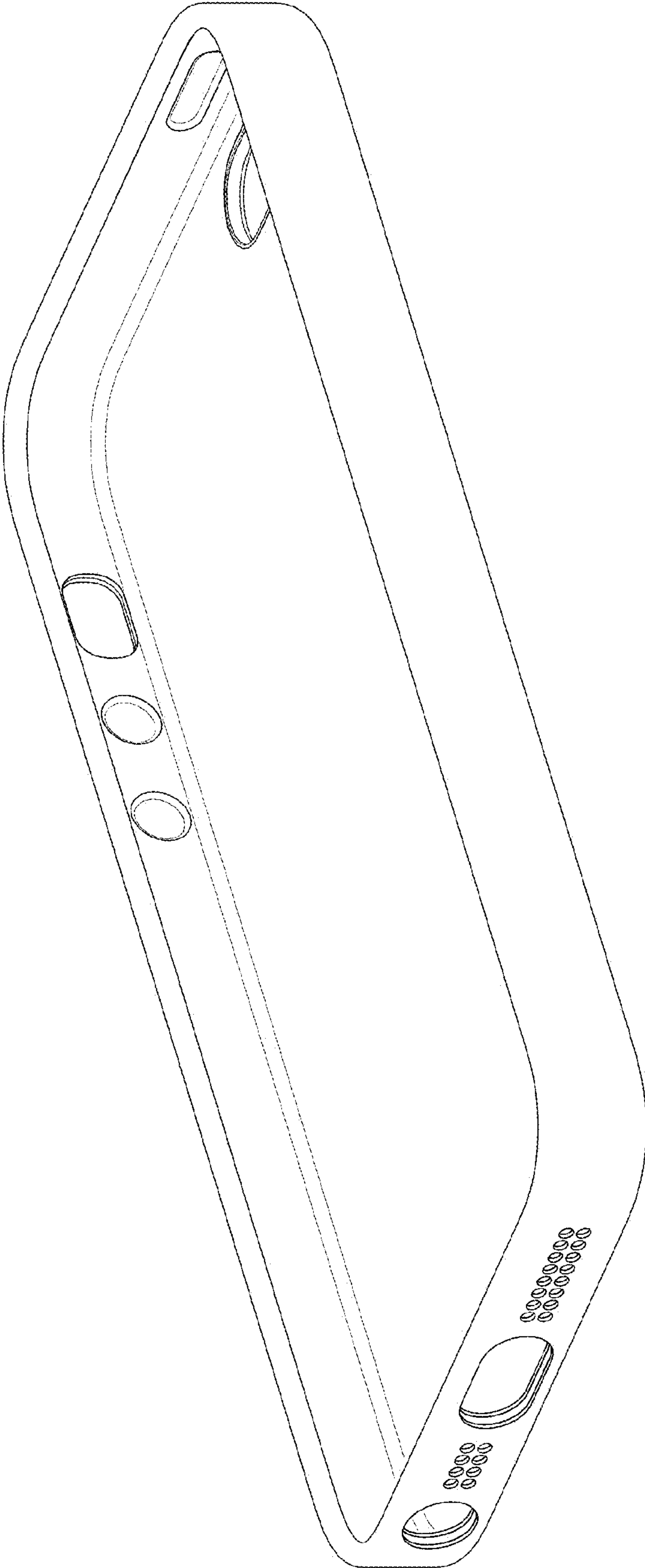


FIG. 1

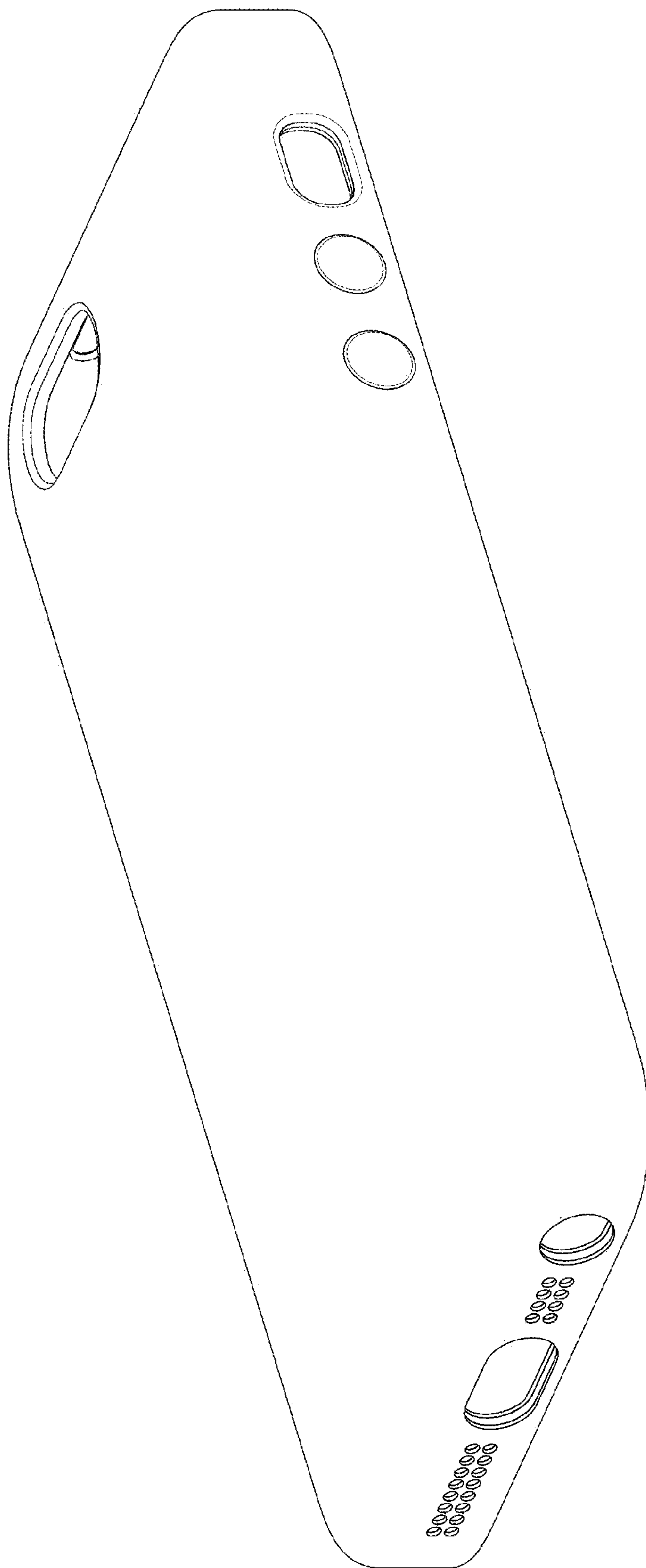


FIG. 2

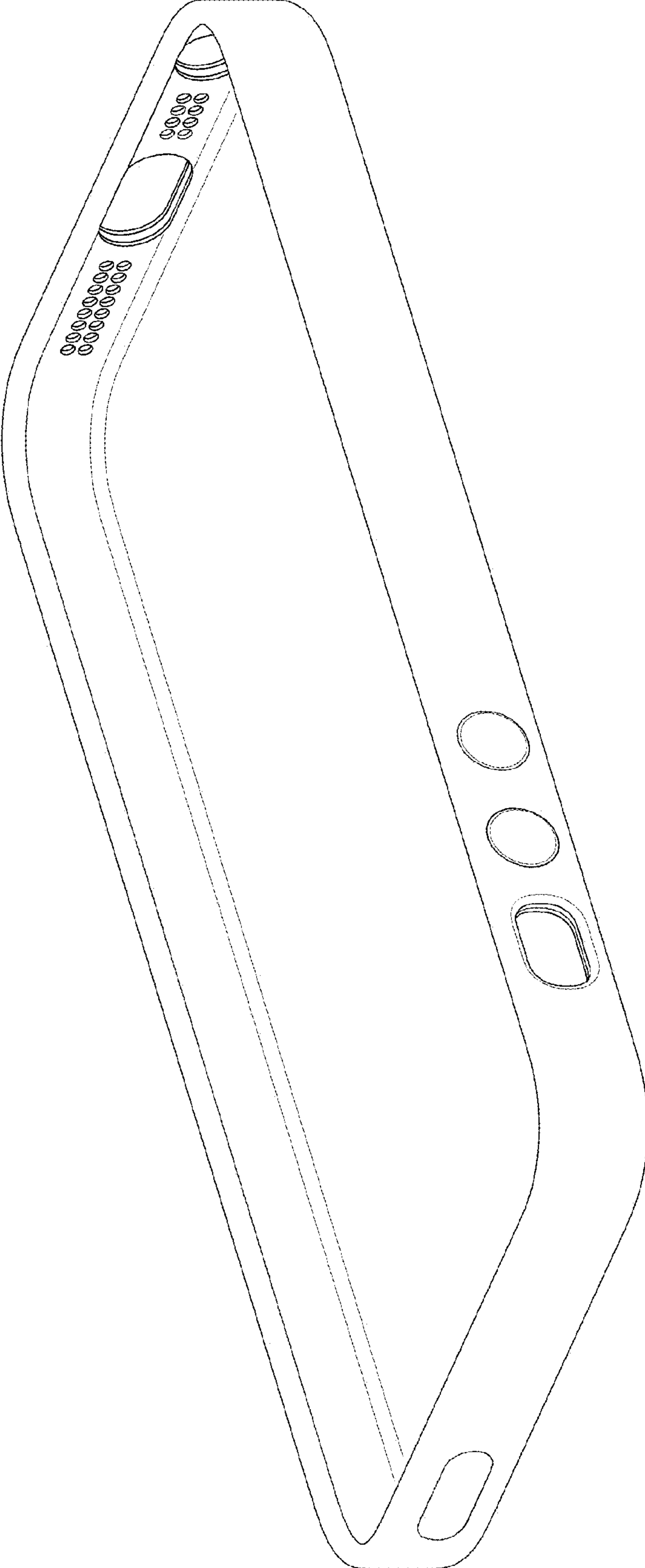


FIG. 3

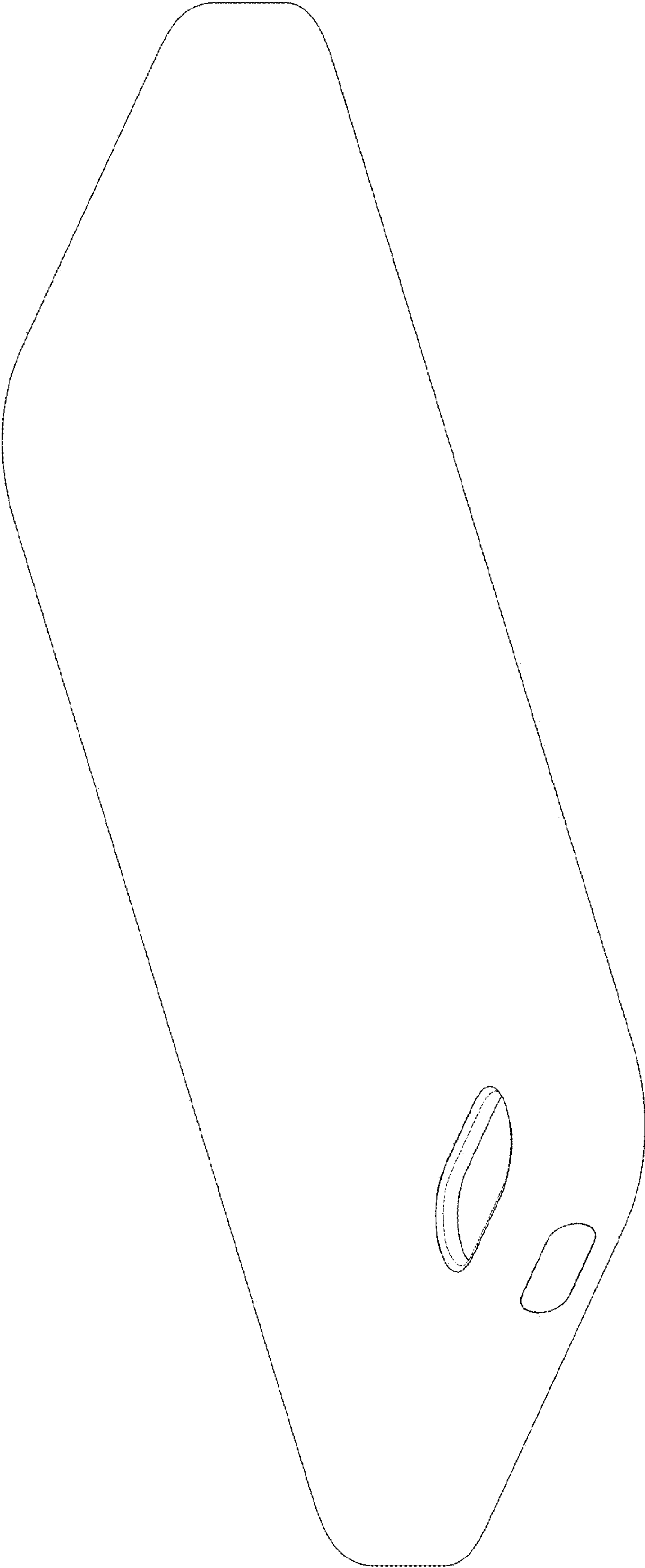


FIG. 4

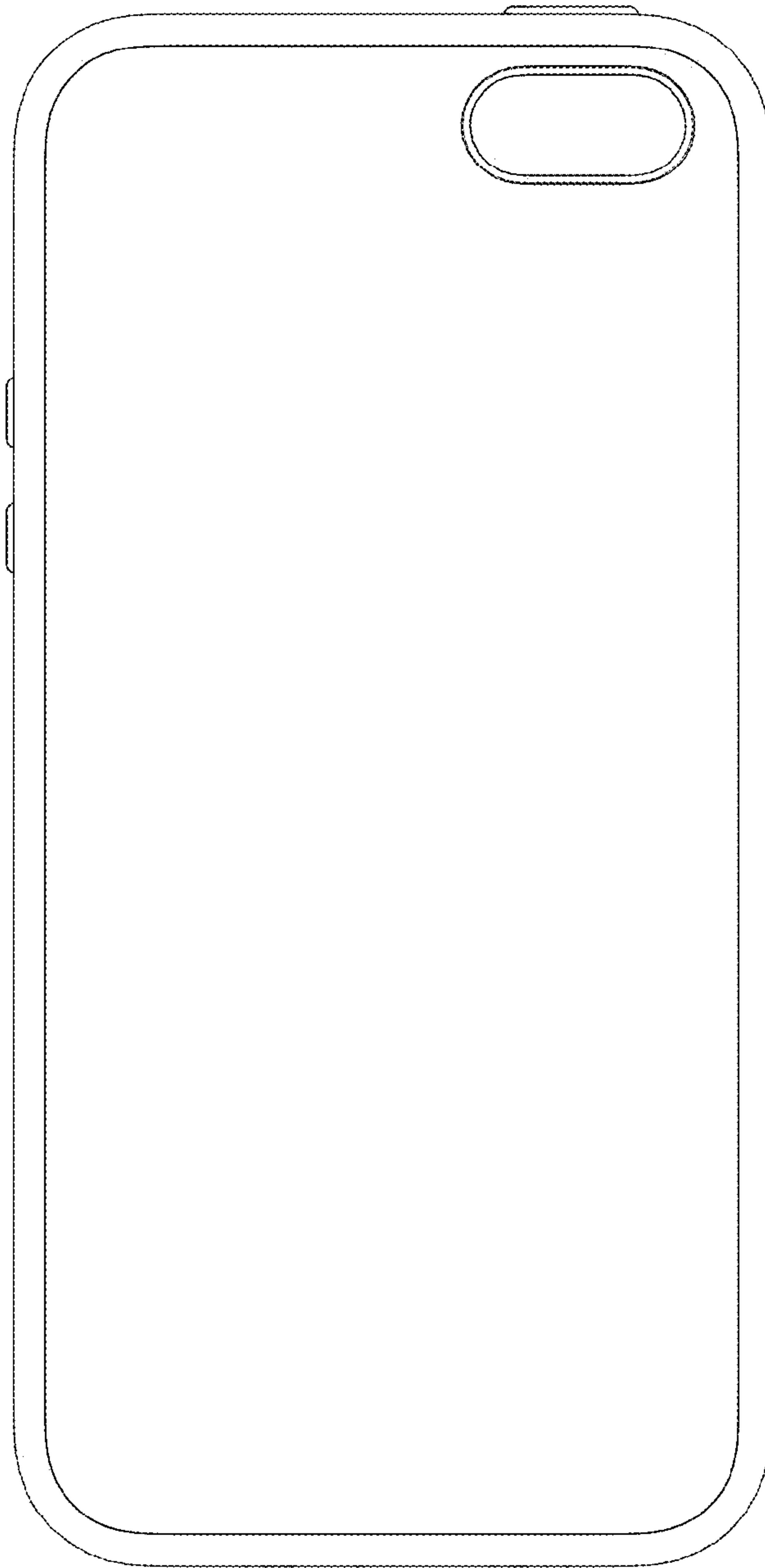


FIG. 5

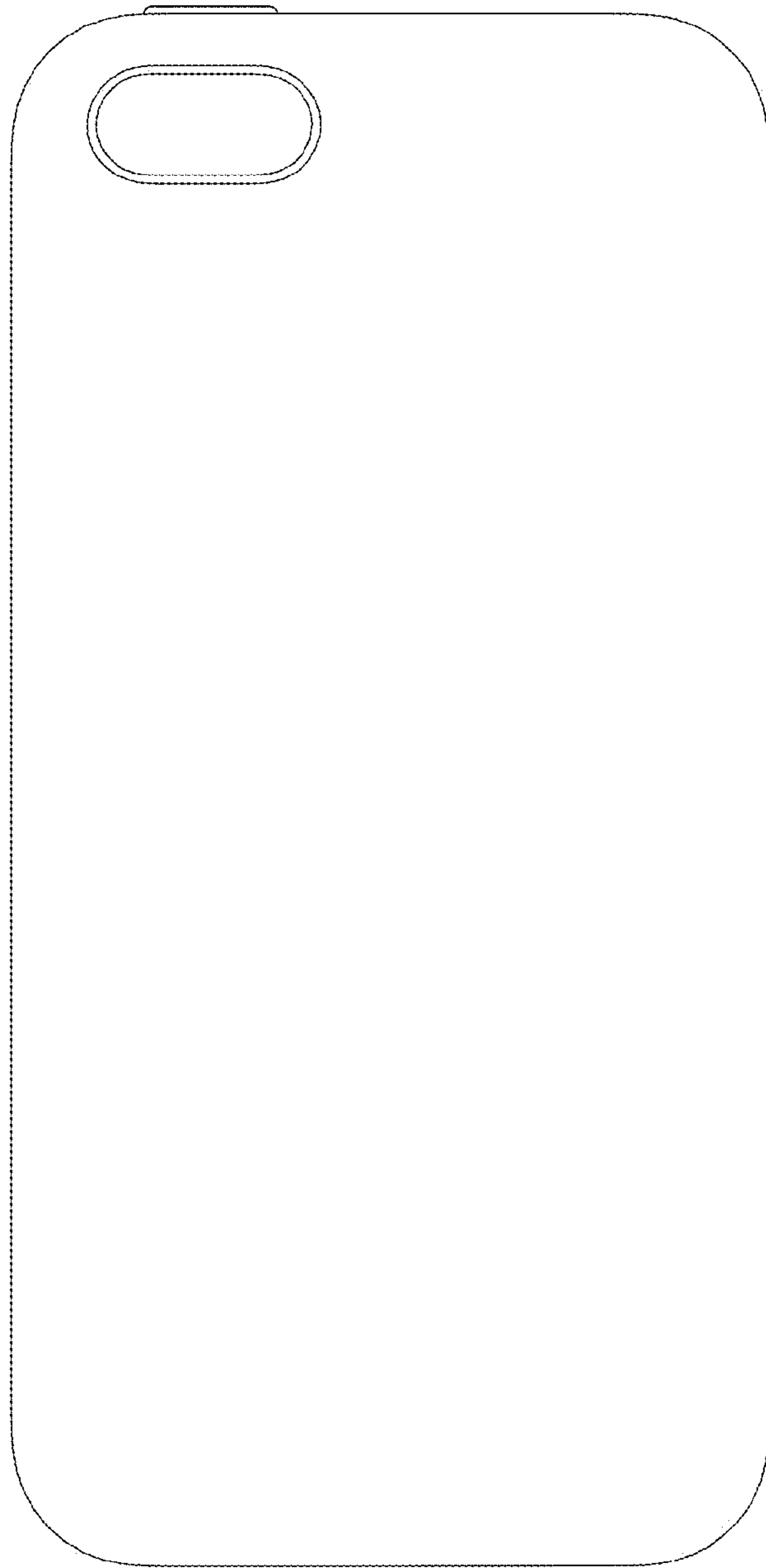


FIG. 6



FIG. 7

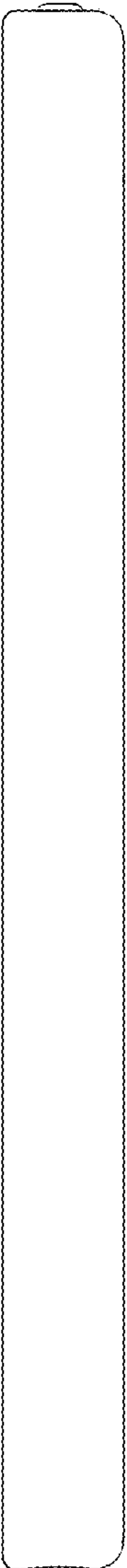


FIG. 8



FIG. 9

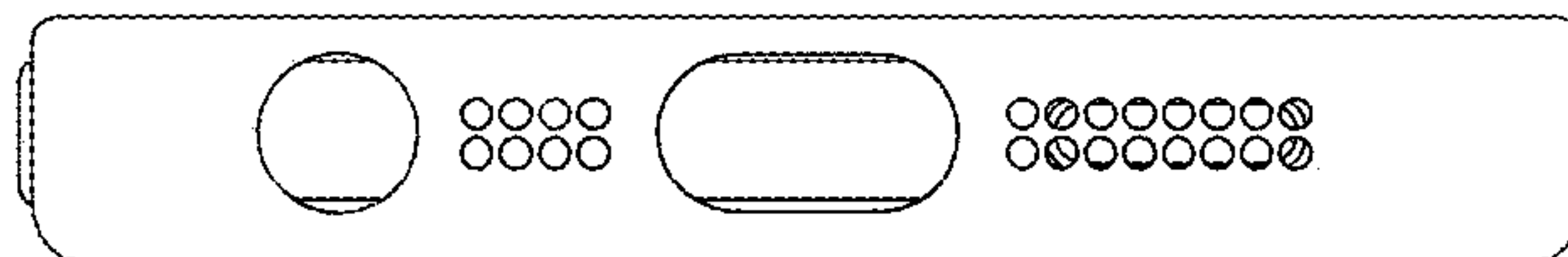


FIG. 10