



US00D743385S

(12) **United States Design Patent**
Ann et al.

(10) **Patent No.:** **US D743,385 S**

(45) **Date of Patent:** **** Nov. 17, 2015**

(54) **STAND FOR TELEVISION**

(71) Applicant: **Samsung Electronics Co., Ltd.**,
Suwon-si, Gyeonggi-do (KR)

(72) Inventors: **Sung Jin Ann**, Seoul (KR); **Sinwi Moon**, Seogwipo-si (KR); **Sangyong Park**, Bucheon-si (KR)

(73) Assignee: **SAMSUNG ELECTRONICS CO., LTD.**, Suwon-Si, Gyeonggi-Do (KR)

(**) Term: **14 Years**

(21) Appl. No.: **29/519,183**

(22) Filed: **Mar. 3, 2015**

(30) **Foreign Application Priority Data**

Sep. 4, 2014 (KR) 30-2014-0043424

(51) **LOC (10) Cl.** **14-03**

(52) **U.S. Cl.**
USPC **D14/239**

(58) **Field of Classification Search**

USPC D14/125-134, 239, 371, 136, 374-377,
D14/440, 450, 448, 336, 342, 159; 312/7.2;
348/836, 838, 180, 184, 325, 739;
248/917-924, 465; 345/104, 133, 156,
345/168, 87, 173; D21/329, 515, 577, 622,
D21/333, 433, 448, 452, 450, 331, 505;
D10/15, 26; 446/484, 175, 356;
D6/477, 479, 300; D24/185; D34/14
CPC ... G06F 1/1601; G06F 1/1643; H05K 5/0004;
H05K 5/0017; H05K 5/02; H05K 5/0217
See application file for complete search history.

(56) **References Cited**

U.S. PATENT DOCUMENTS

D655,266	S	*	3/2012	Kim	D14/126
D699,713	S	*	2/2014	Seong	D14/239
D709,470	S	*	7/2014	Ryu et al.	D14/126
D716,244	S	*	10/2014	Kim et al.	D14/126
D716,276	S	*	10/2014	Yoon et al.	D14/239
D716,776	S	*	11/2014	Yoon et al.	D14/239
D723,527	S	*	3/2015	Kim et al.	D14/239

* cited by examiner

Primary Examiner — Randall Gholson

(74) *Attorney, Agent, or Firm* — Ladas & Parry LLP

(57) **CLAIM**

The ornamental design for a stand for television, as shown and described.

DESCRIPTION

FIG. 1 is the front perspective view of stand for television showing our new design;
FIG. 2 is the front view thereof;
FIG. 3 is the rear view thereof;
FIG. 4 is the left-side view thereof,
FIG. 5 is the right-side view thereof;
FIG. 6 is the top plan view thereof;
FIG. 7 is the bottom plan view thereof;
FIG. 8 is the rear perspective view thereof; and,
FIG. 9 is the front perspective new of stand for television shown in an example environment.
The broken lines in the drawing show unclaimed environment only and form no part of the claimed design.
The dot dash lines in the figures represent an unclaimed boundary line and form no part of the claimed design.

1 Claim, 9 Drawing Sheets

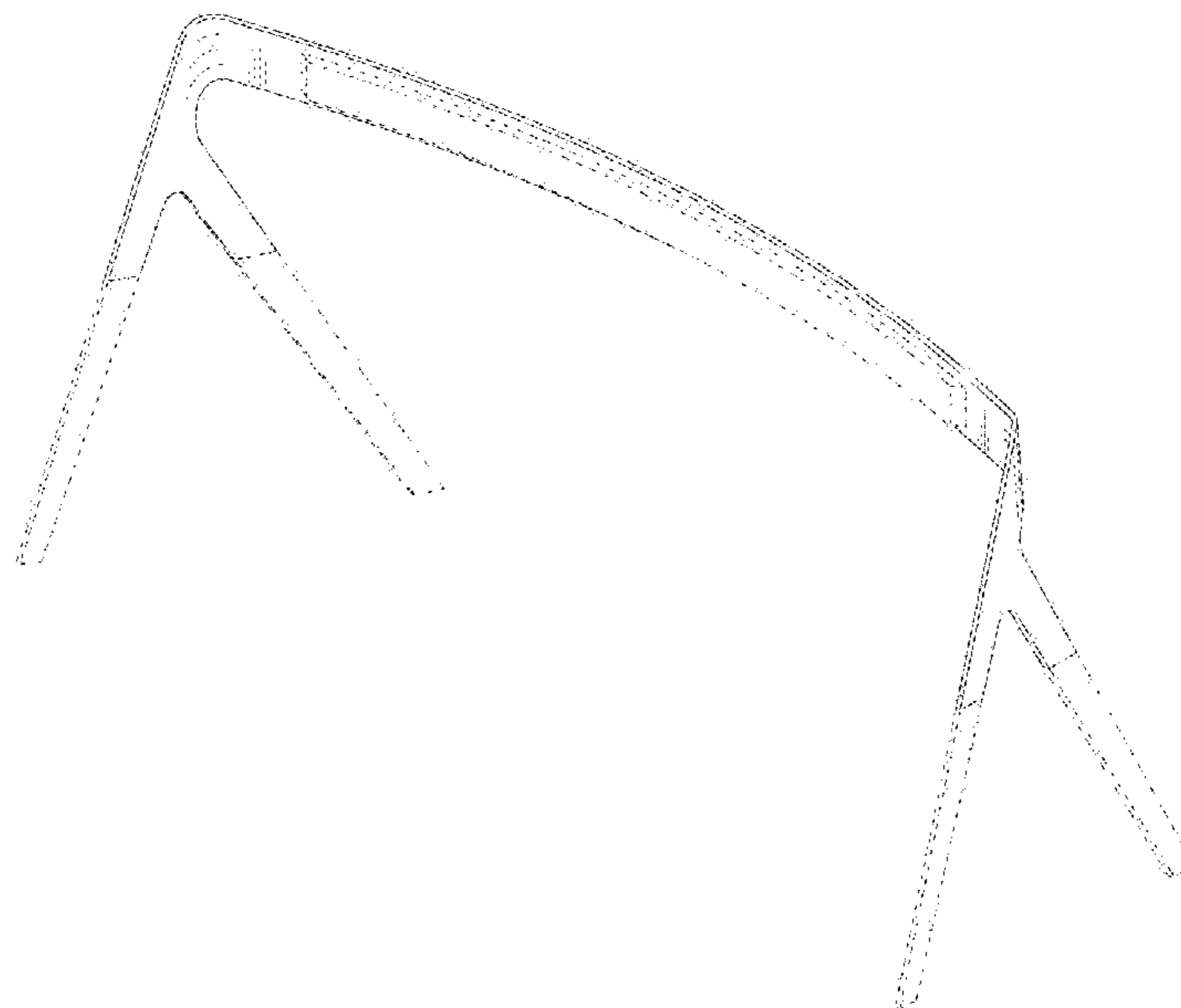


Fig. 1

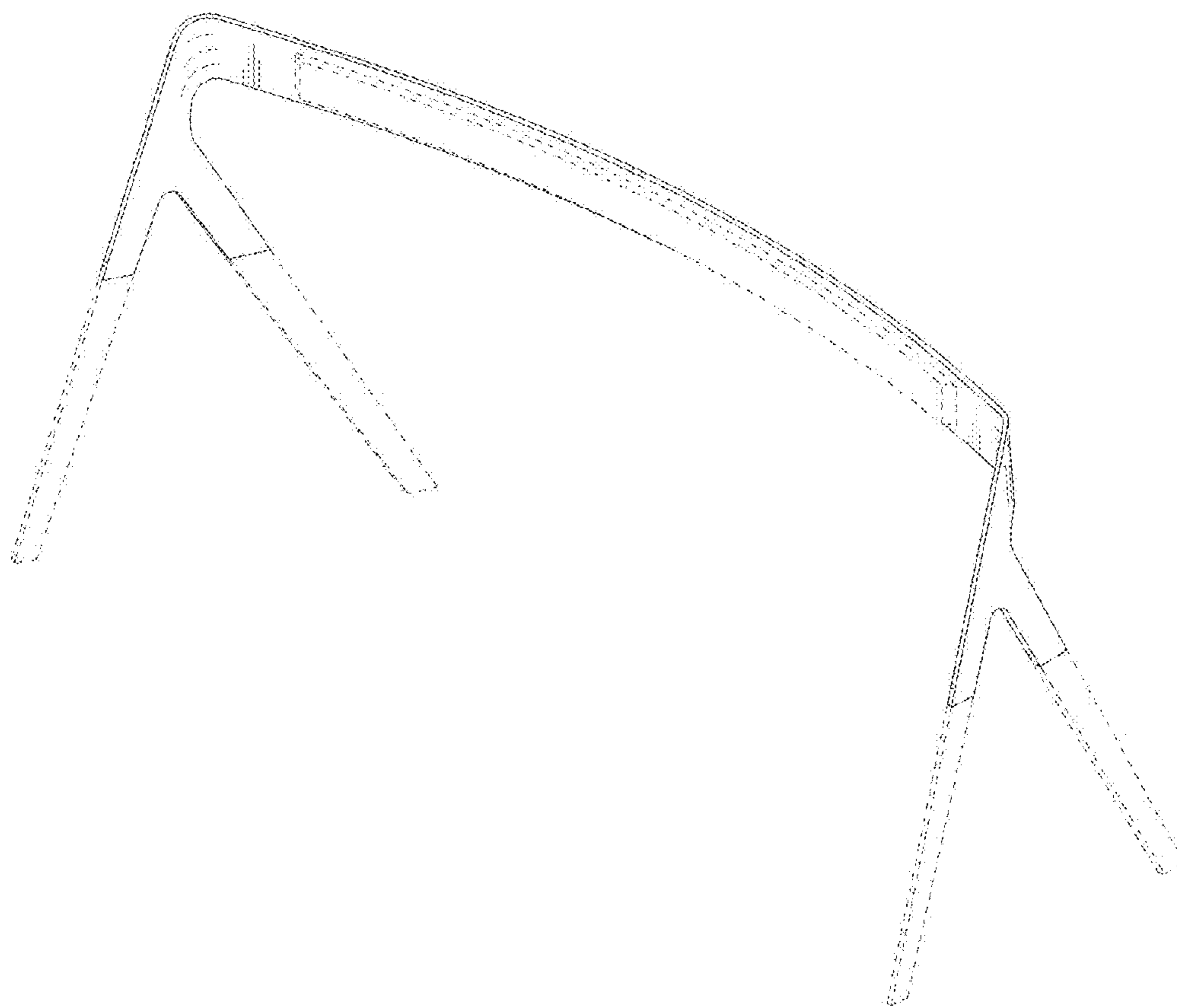


Fig. 2



Fig. 3



Fig. 4

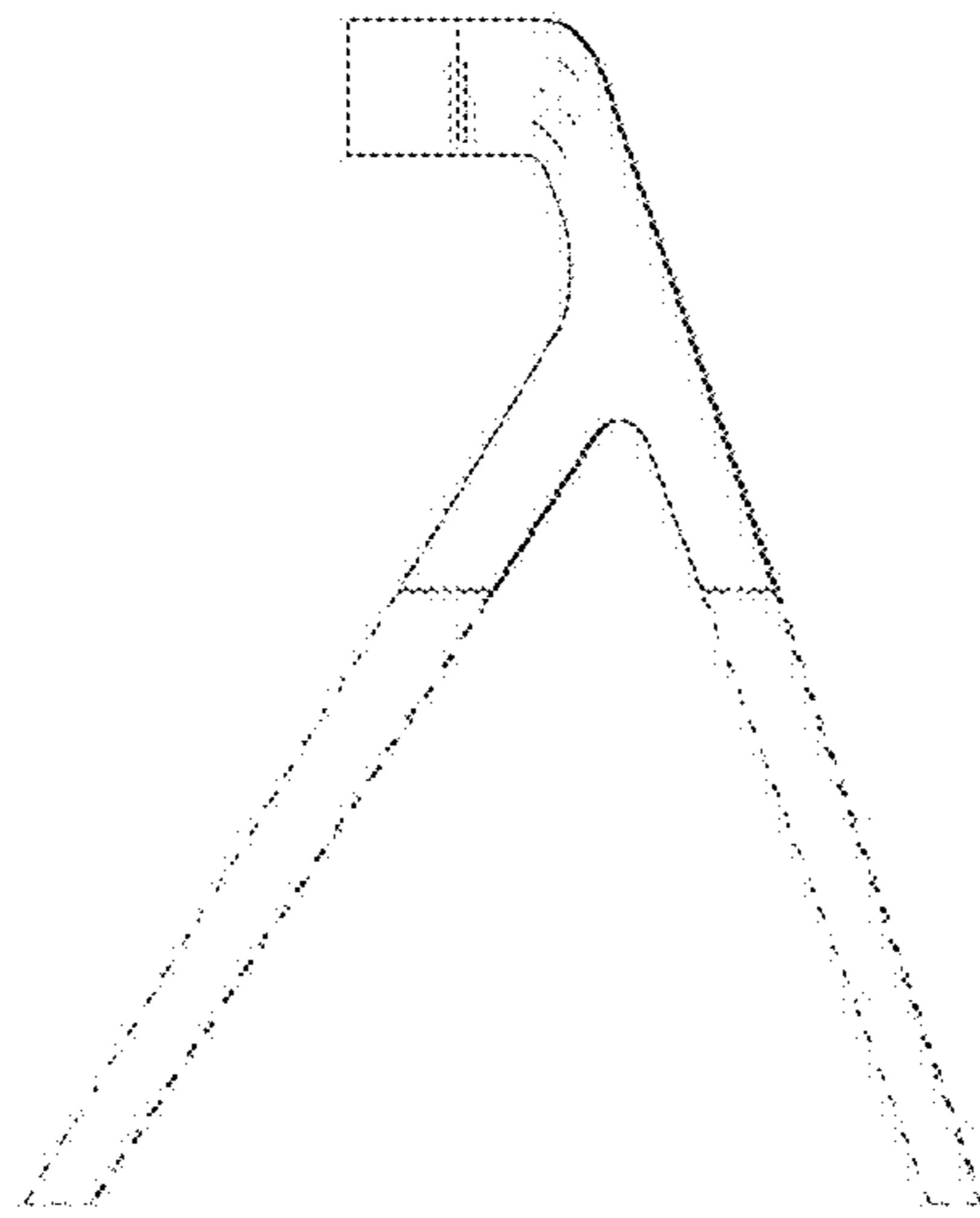


Fig. 5

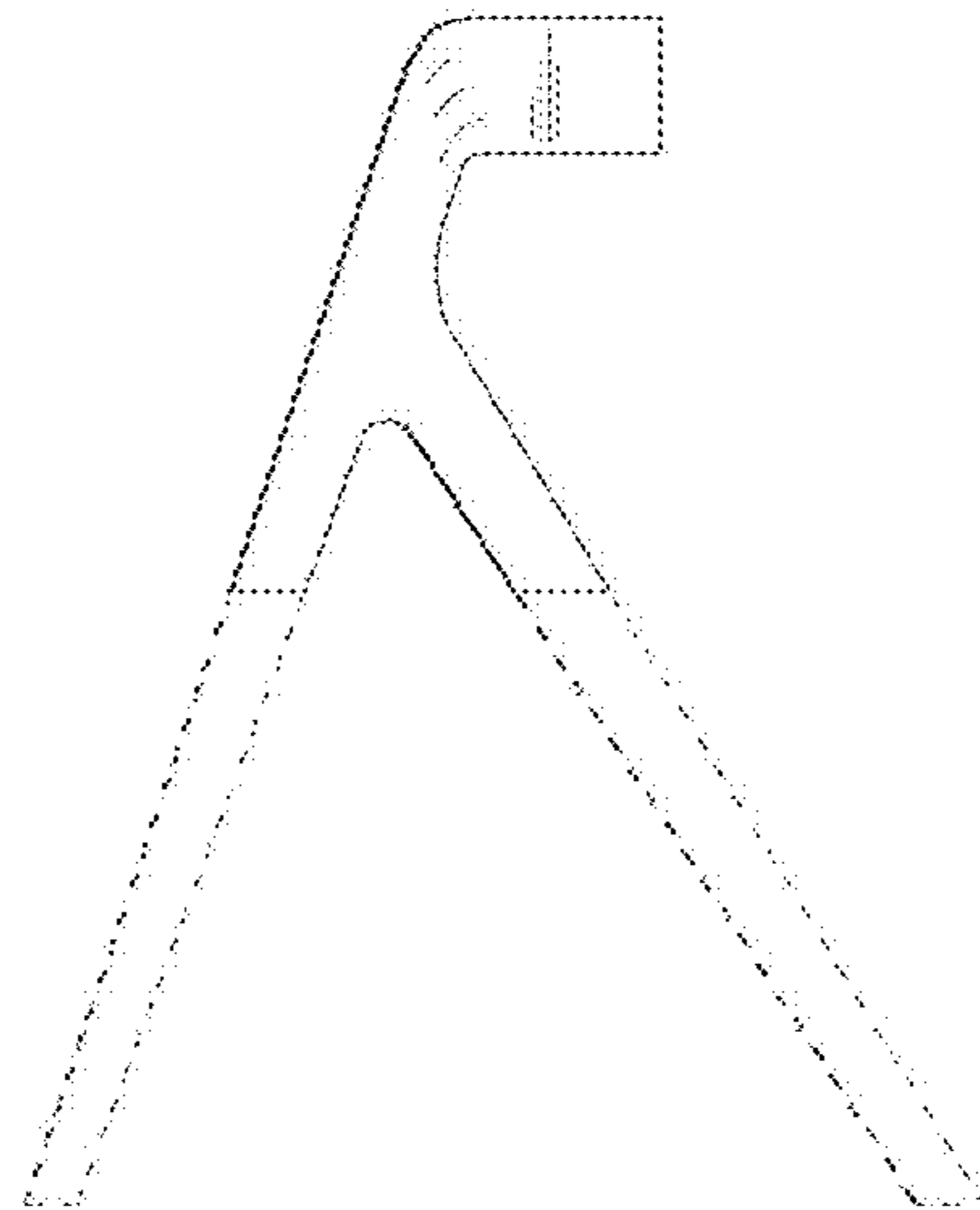


Fig. 6

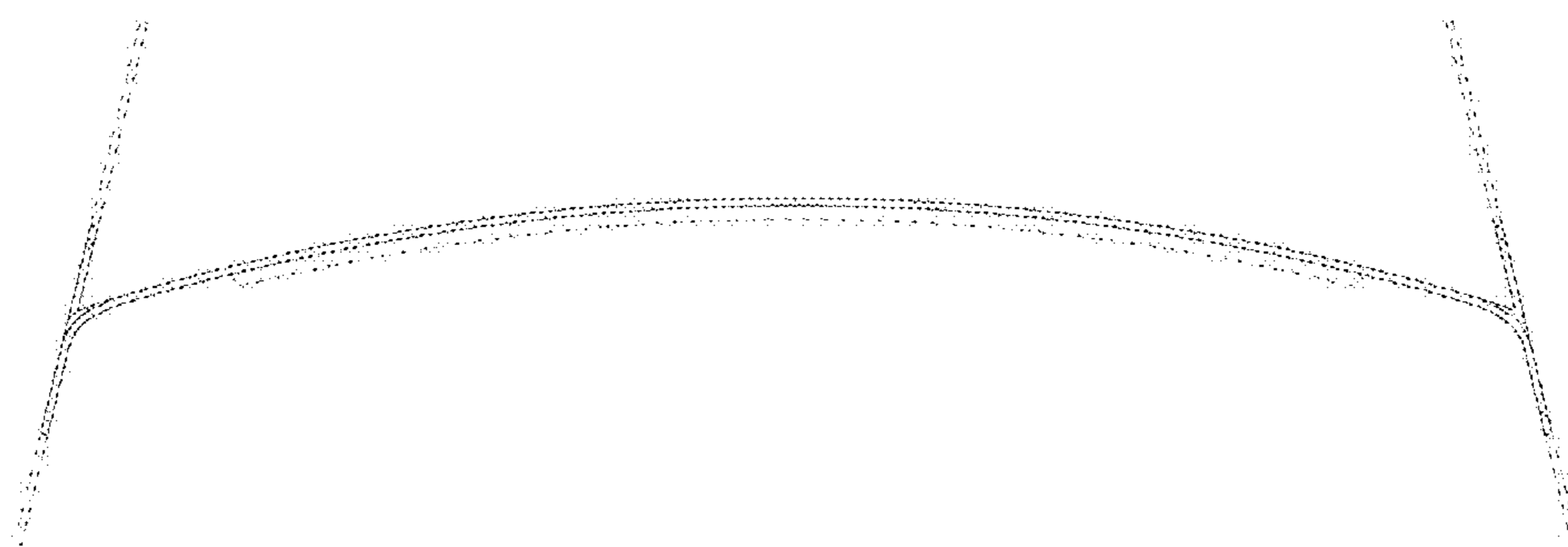


Fig. 7

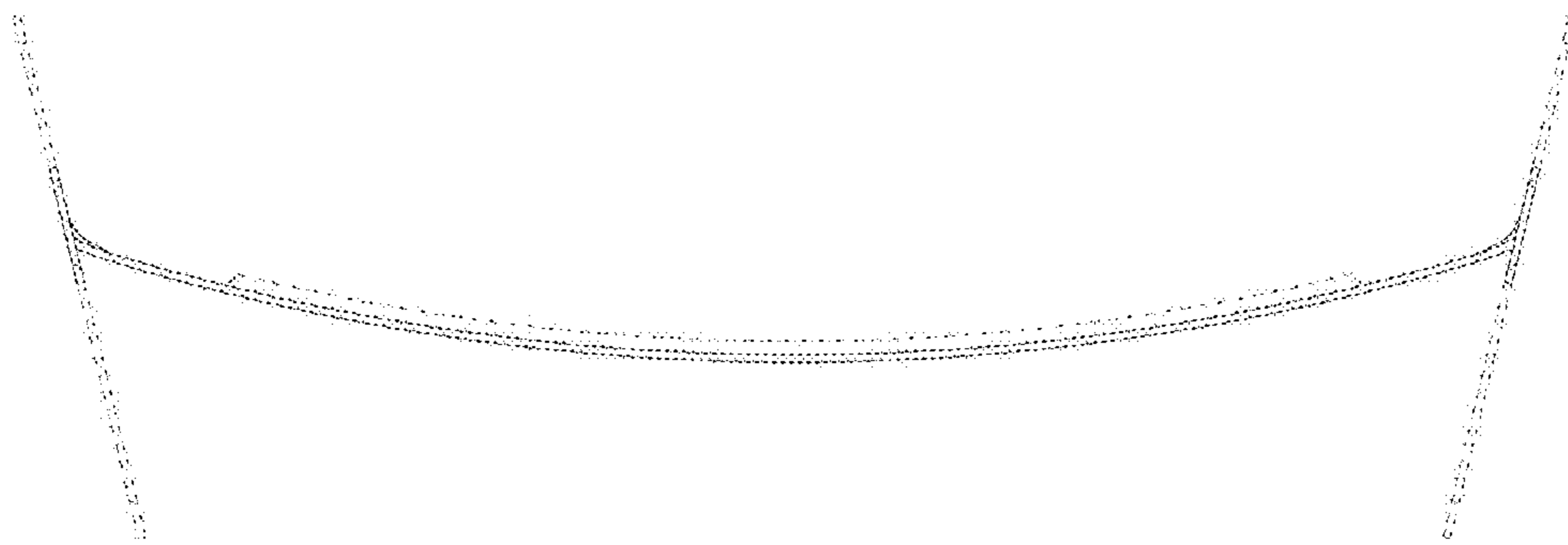


Fig. 8

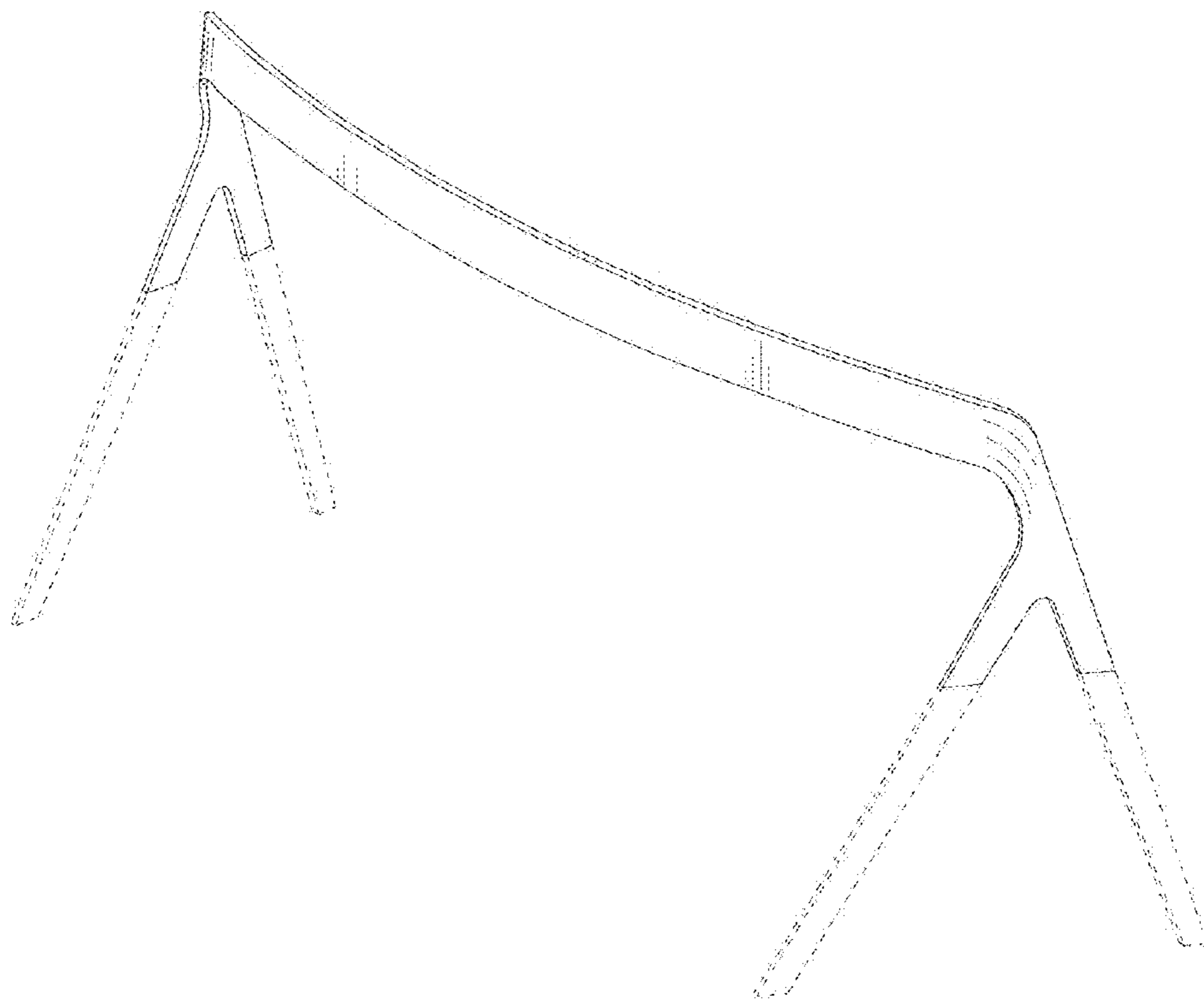


Fig. 9

