



US00D743384S

(12) **United States Design Patent**
Podduturi

(10) **Patent No.:** **US D743,384 S**

(45) **Date of Patent:** **** Nov. 17, 2015**

(54) **ANTENNA AND RADIO MODULE FOR WATER METER**

(71) Applicant: **World Products, LLC**, Sonoma, CA (US)

(72) Inventor: **Bharadvaj R. Podduturi**, American Canyon, CA (US)

(73) Assignee: **World Products Inc.**, Sonoma, CA (US)

(**) Term: **14 Years**

(21) Appl. No.: **29/476,812**

(22) Filed: **Dec. 17, 2013**

(51) **LOC (10) Cl.** **14-03**

(52) **U.S. Cl.**
USPC **D14/230**

(58) **Field of Classification Search**
USPC D14/138, 230–238, 299, 358; D12/42, D12/43; 343/700 MS, 700 R–705, 711–713, 343/735, 736, 741, 748, 767, 795, 819, 840, 343/846, 866, 871–908; 455/90.2, 90.3, 91, 455/128, 269, 344, 347, 562.1
See application file for complete search history.

(56) **References Cited**

U.S. PATENT DOCUMENTS

6,175,080	B1 *	1/2001	Nightingale	174/75 C
6,310,586	B1 *	10/2001	Takahashi et al.	343/872
6,501,427	B1 *	12/2002	Lilly et al.	343/700 MS
D493,446	S *	7/2004	Hung et al.	D14/230
6,798,383	B2	9/2004	Nakase et al.		
7,928,920	B2	4/2011	Yagi		
D683,720	S	6/2013	Quinlan et al.		
8,508,418	B2	8/2013	Kough et al.		
8,629,681	B1	1/2014	Trabelsi et al.		
D702,216	S *	4/2014	Podduturi	D14/230
D707,663	S	6/2014	Podduturi		
D726,696	S *	4/2015	Kudo	D14/230
2002/0140613	A1	10/2002	Tsai et al.		
2002/0146988	A1	10/2002	Boyle et al.		

2002/0190906	A1	12/2002	Kim et al.		
2004/0222936	A1	11/2004	Hung et al.		
2006/0001590	A1	1/2006	Hung et al.		
2006/0170605	A1	8/2006	Tang et al.		
2006/0232482	A1	10/2006	Chen		
2006/0274472	A1 *	12/2006	Saito et al.	361/118
2009/0058736	A1	3/2009	Chiang		
2009/0174612	A1	7/2009	Ayala et al.		
2011/0037666	A1	2/2011	Behrmann		
2011/0074524	A1 *	3/2011	Nishioka	333/175
2013/0249764	A1 *	9/2013	Amaya et al.	343/845
2013/0335289	A1 *	12/2013	Hara et al.	343/848

FOREIGN PATENT DOCUMENTS

JP	D1063961	3/2000
JP	D1282485	9/2006
JP	D1324431	3/2008

* cited by examiner

Primary Examiner — John Windmuller

(74) *Attorney, Agent, or Firm* — Patterson Thunte Pedersen, P.A.

(57) **CLAIM**

I claim the ornamental design for antenna and radio module for water meter, as shown and described.

DESCRIPTION

FIG. 1 is a perspective view of an antenna and radio module for water meter according to the invention.

FIG. 2 is a top plan view of the antenna and radio module for water meter depicted in FIG. 1.

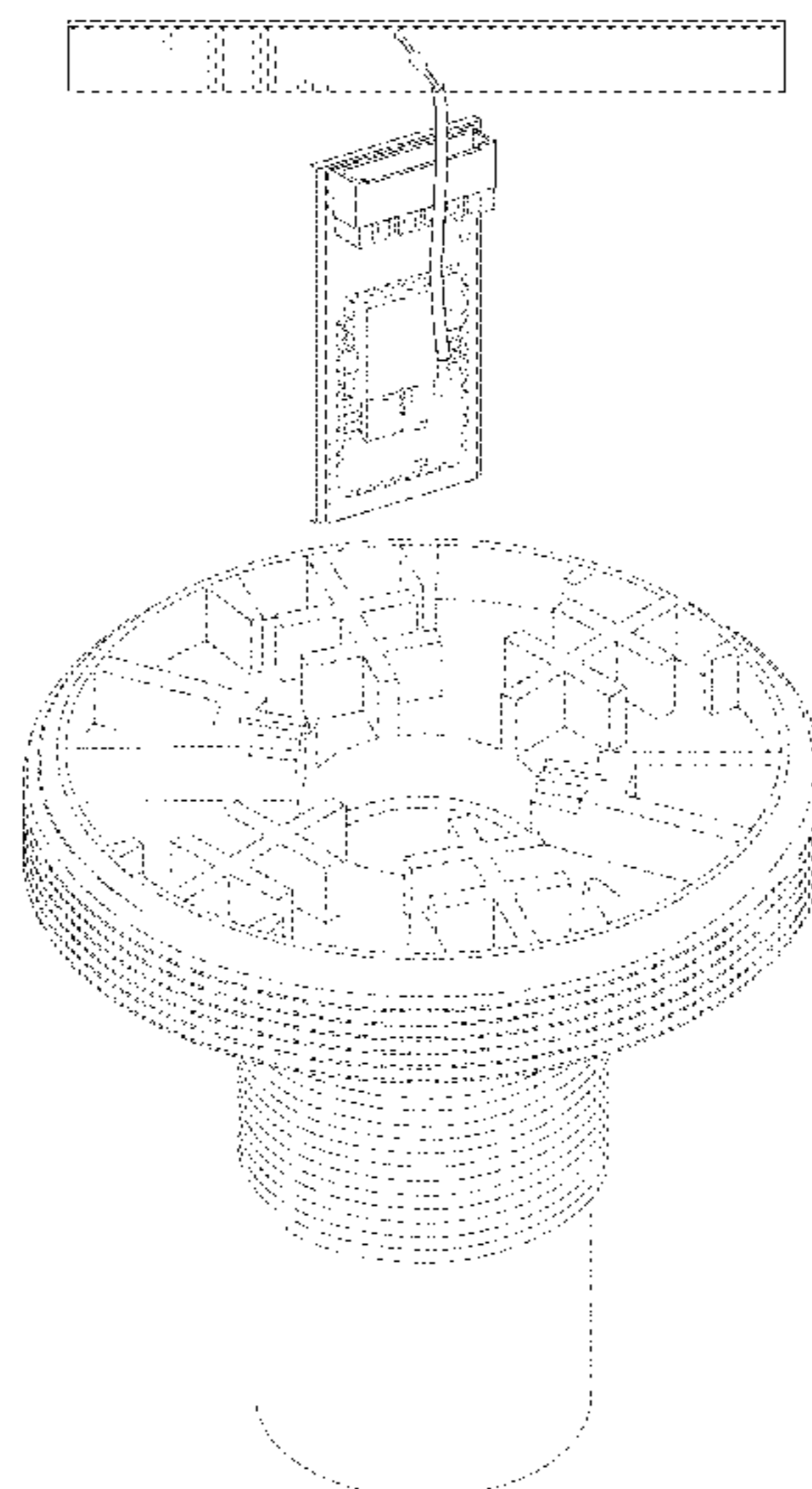
FIG. 3 is a bottom plan view of the antenna and radio module for water meter depicted in FIG. 1.

FIG. 4 is a side elevation view of the antenna and radio module for water meter depicted in FIG. 1; and,

FIG. 5 is an exploded perspective view of the antenna and radio module for water meter depicted in FIG. 1.

The broken lines illustrate portions of the antenna and radio module for water meter which form no part of the claimed invention.

1 Claim, 5 Drawing Sheets



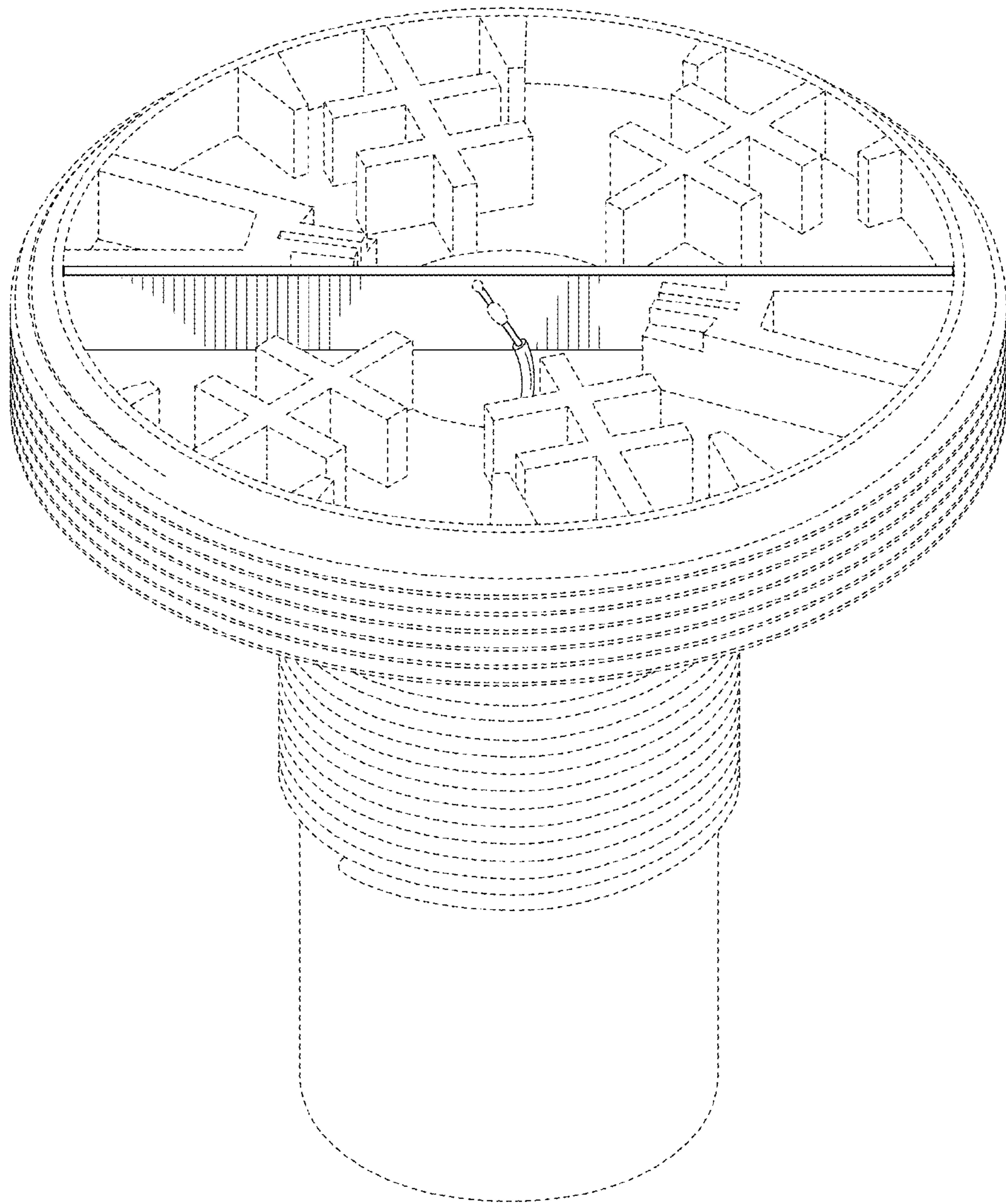


FIG. 1

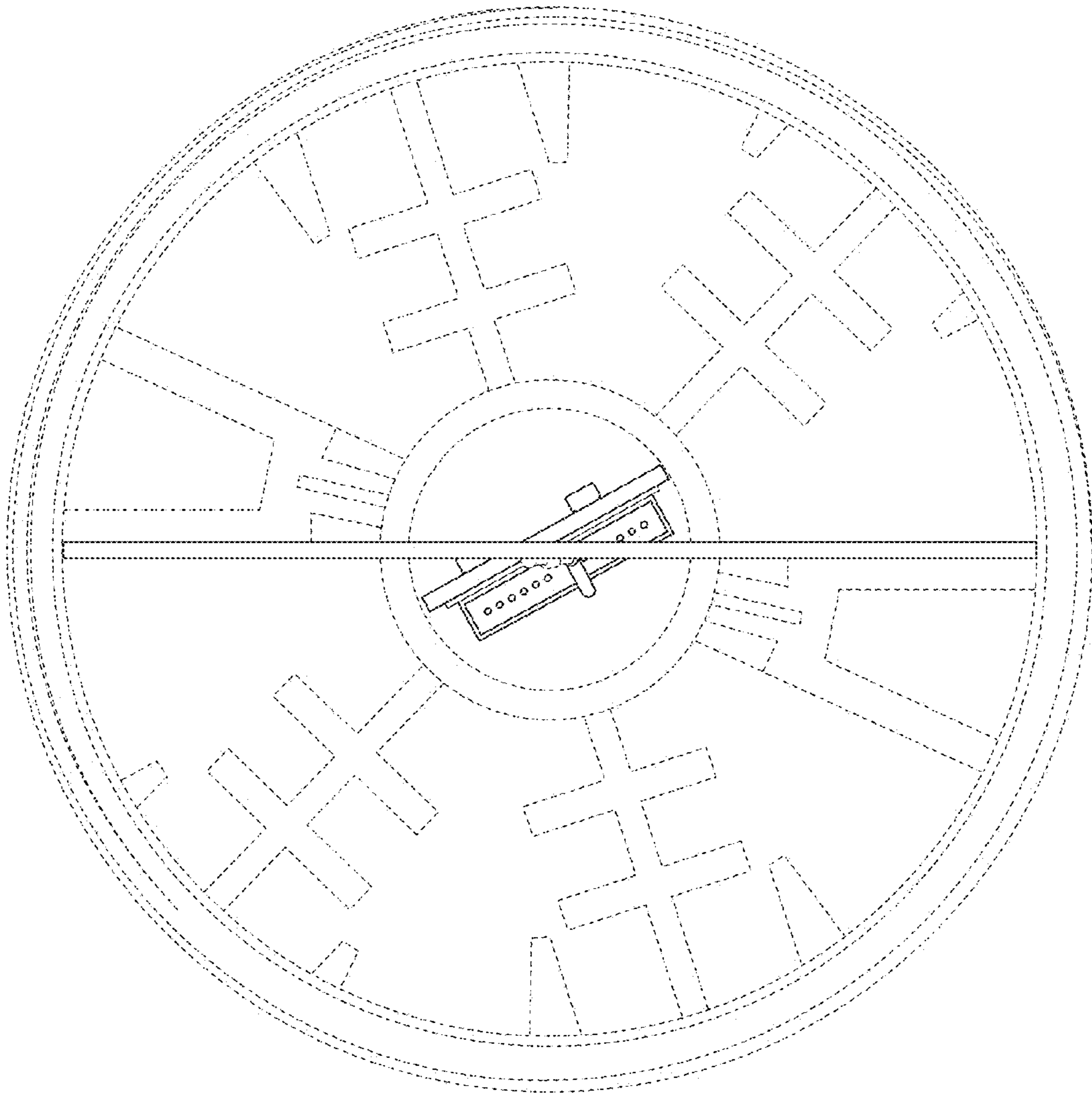


FIG. 2

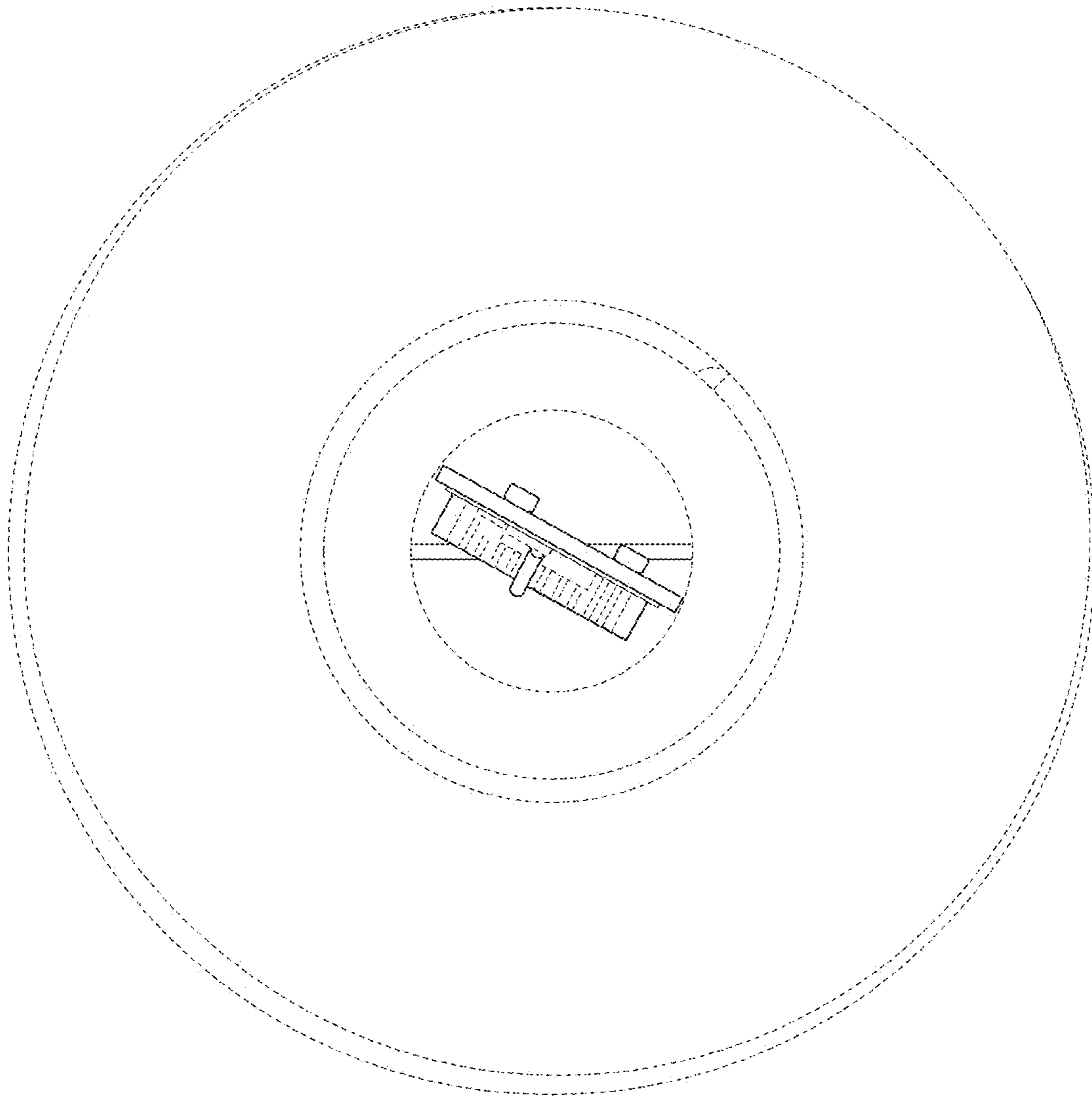


FIG. 3

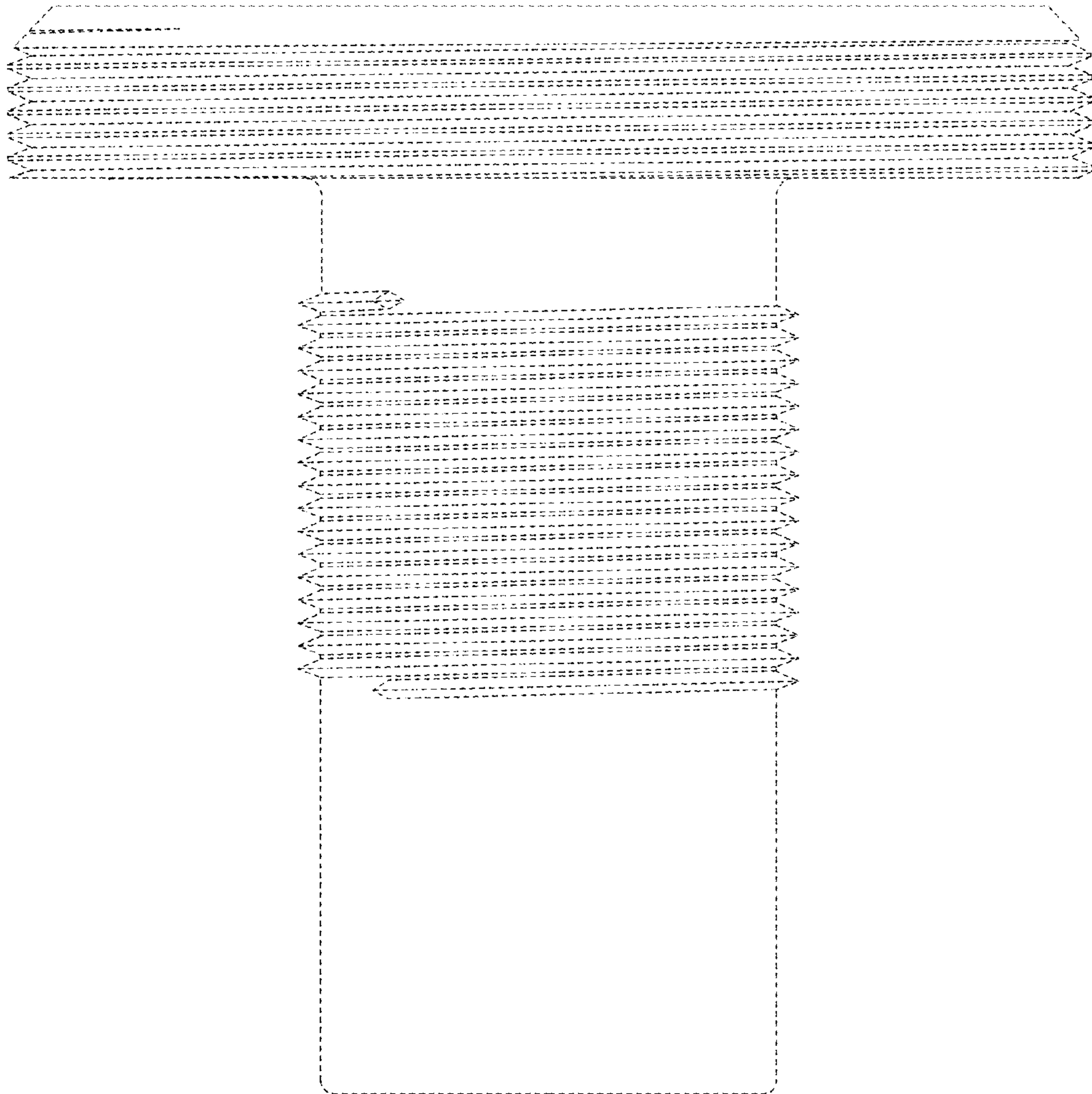


FIG. 4

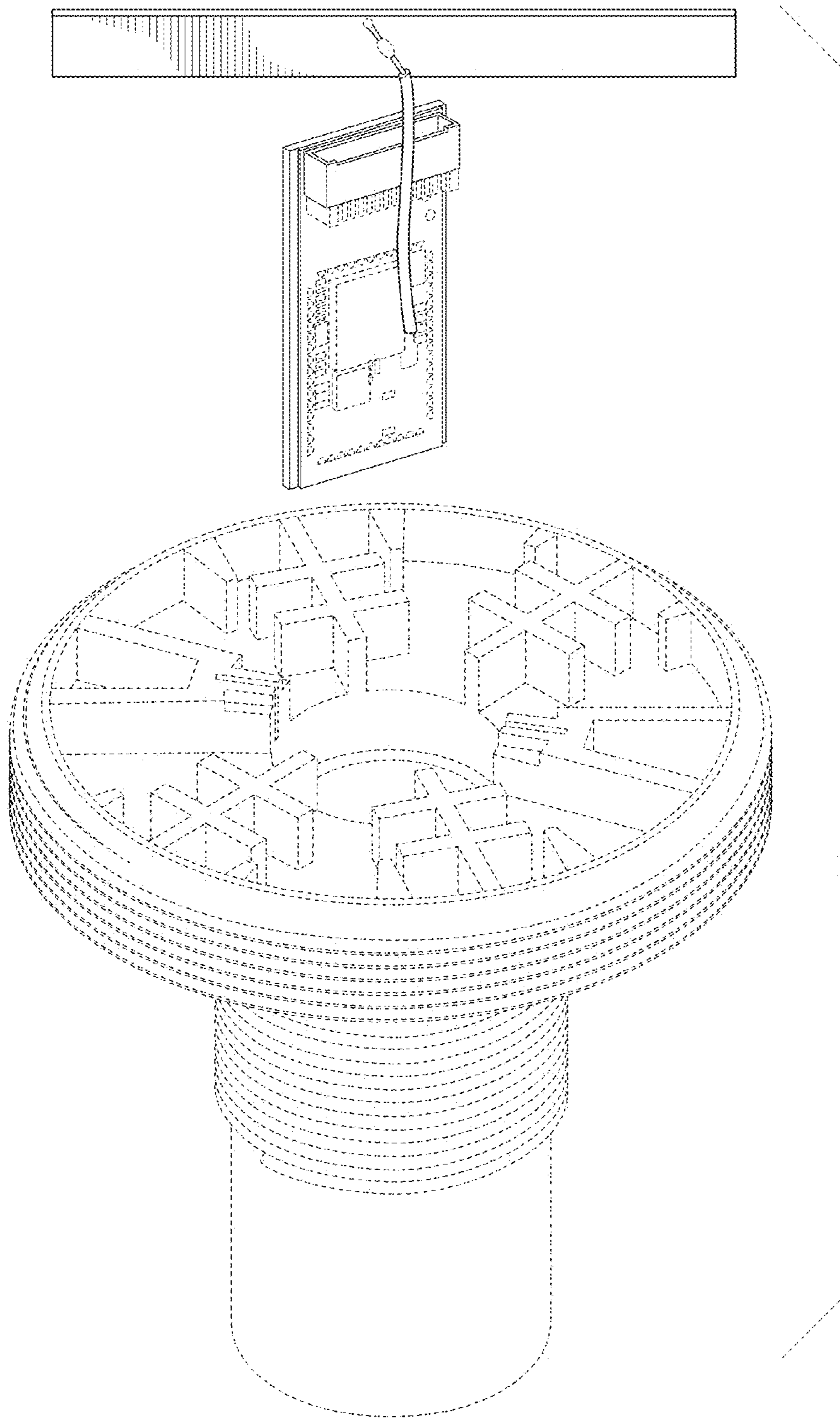


FIG. 5