



US00D743383S

(12) **United States Design Patent**
Hinokio et al.

(10) **Patent No.:** **US D743,383 S**

(45) **Date of Patent:** **** Nov. 17, 2015**

(54) **MICROPHONE**

(71) Applicant: **Yamaha Corporation**, Shizuoka (JP)

(72) Inventors: **Akie Hinokio**, Shizuoka (JP); **Jens Rosbjerg**, Shizuoka (JP)

(73) Assignee: **Yamaha Corporation**, Shizuoka (JP)

(**) Term: **14 Years**

(21) Appl. No.: **29/488,684**

(22) Filed: **Apr. 22, 2014**

(30) **Foreign Application Priority Data**

Oct. 23, 2013 (JP) 2013-024646
Oct. 23, 2013 (JP) 2013-024647

(51) **LOC (10) Cl.** **14-01**

(52) **U.S. Cl.**
USPC **D14/228**; D14/225

(58) **Field of Classification Search**
USPC D14/155, 167, 225, 226, 227, 228, 238,
D14/243, 249, 497; 381/92, 174, 355, 369;
455/575.1
See application file for complete search history.

(56) **References Cited**

U.S. PATENT DOCUMENTS

D283,891 S * 5/1986 Parshad et al. D14/228
D327,479 S * 6/1992 Britz D14/225
D346,598 S * 5/1994 McCay et al. D14/137

D510,571 S * 10/2005 Cutler et al. D14/149
D618,667 S * 6/2010 Chiu D14/218
D656,130 S * 3/2012 Bailey D14/227
D682,805 S * 5/2013 Rath D14/149
D695,258 S * 12/2013 Hauser et al. D14/155
D698,765 S * 2/2014 Bremaud et al. D14/231
D711,345 S * 8/2014 Liu D14/140
D717,770 S * 11/2014 Yamamoto D14/216
D718,236 S * 11/2014 Murray D13/108

FOREIGN PATENT DOCUMENTS

JP 302895249 * 7/2014

* cited by examiner

Primary Examiner — Susan Bennett Hattan

Assistant Examiner — Leanne Was

(74) *Attorney, Agent, or Firm* — McDonald Hopkins LLC

(57) **CLAIM**

The ornamental design for a microphone, as shown and described.

DESCRIPTION

FIG. 1 is a perspective view of a microphone showing our new design;

FIG. 2 is a front view thereof;

FIG. 3 is a back view thereof;

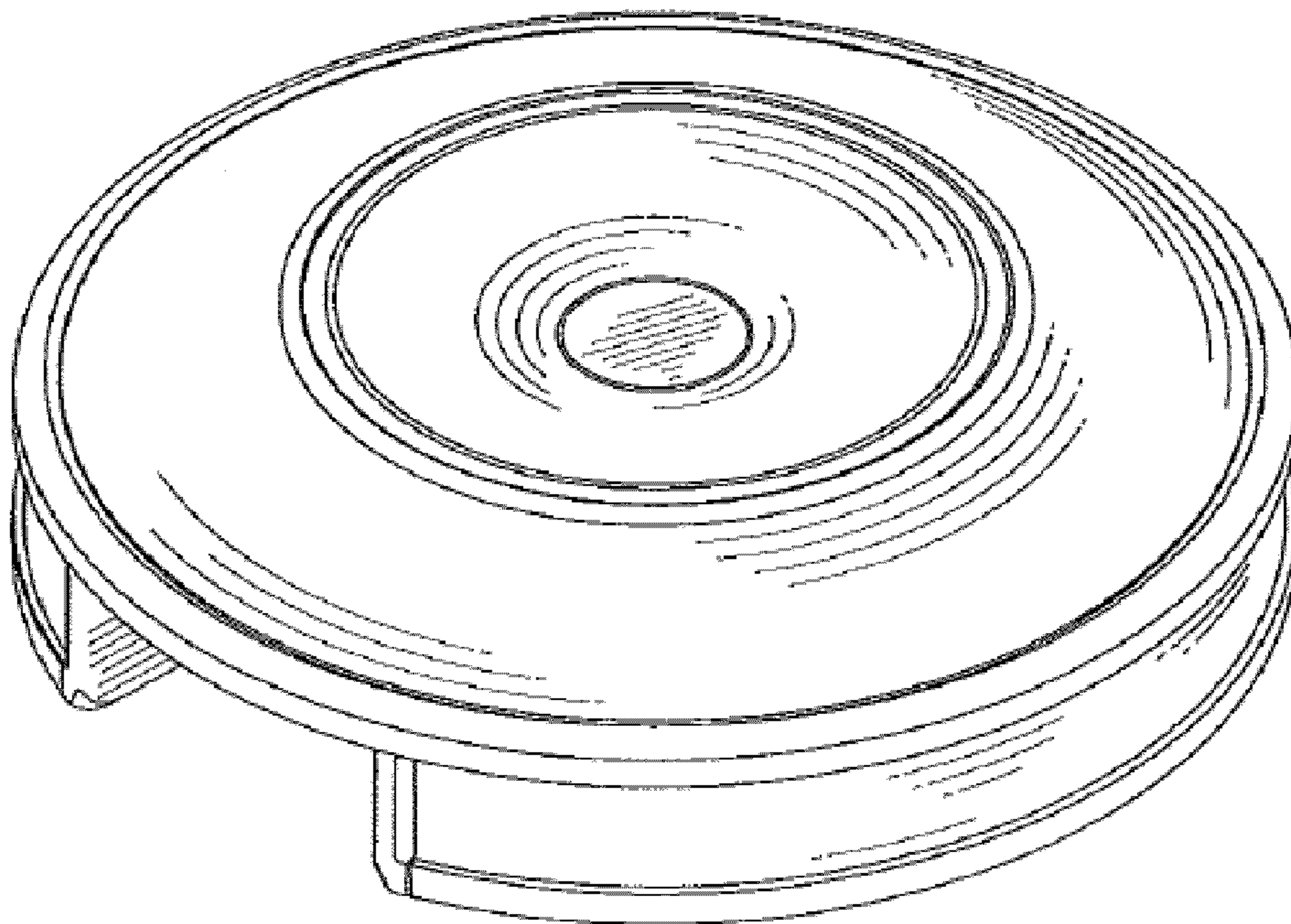
FIG. 4 is a plan view thereof;

FIG. 5 is a bottom view thereof; and,

FIG. 6 is a right view thereof; the left view thereof being a mirror image.

The broken lines shown in the figures depict portions of the microphone that form no part of the claimed design.

1 Claim, 6 Drawing Sheets



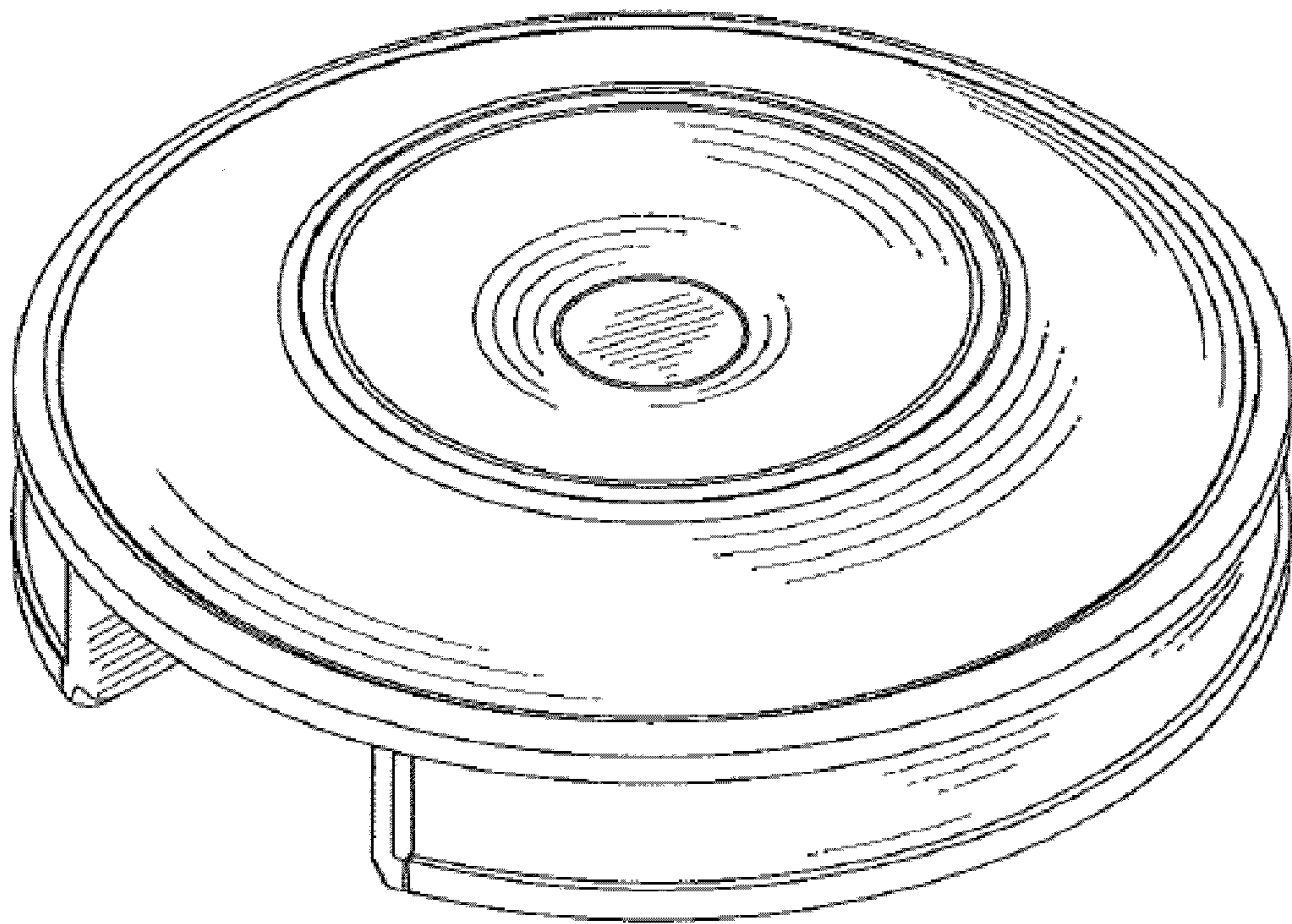


FIG. 1

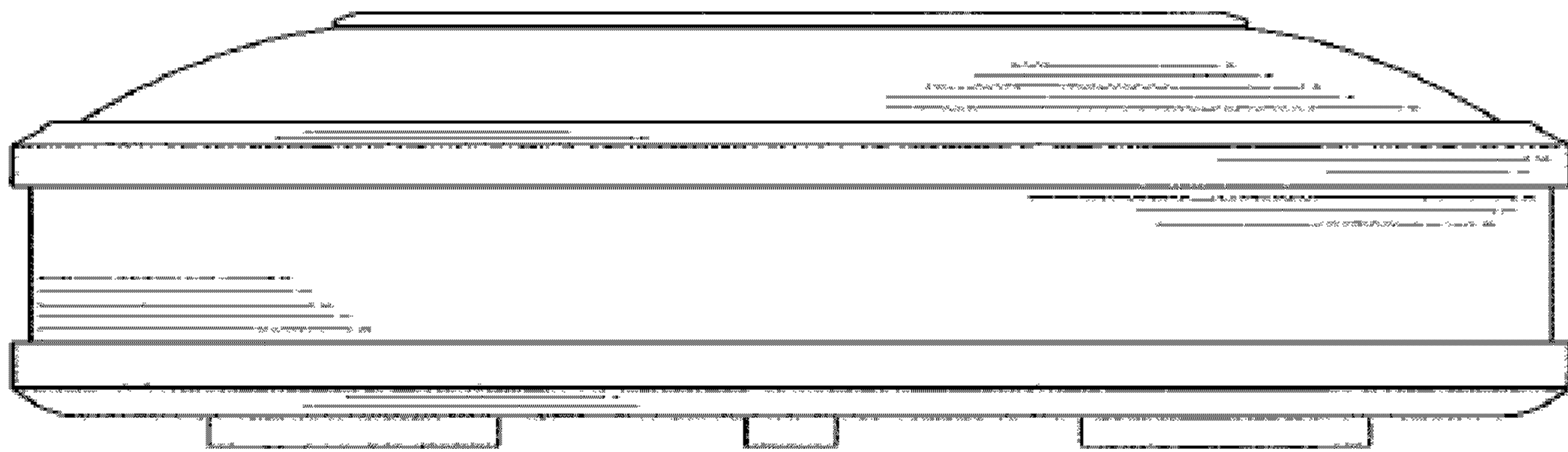


FIG. 2

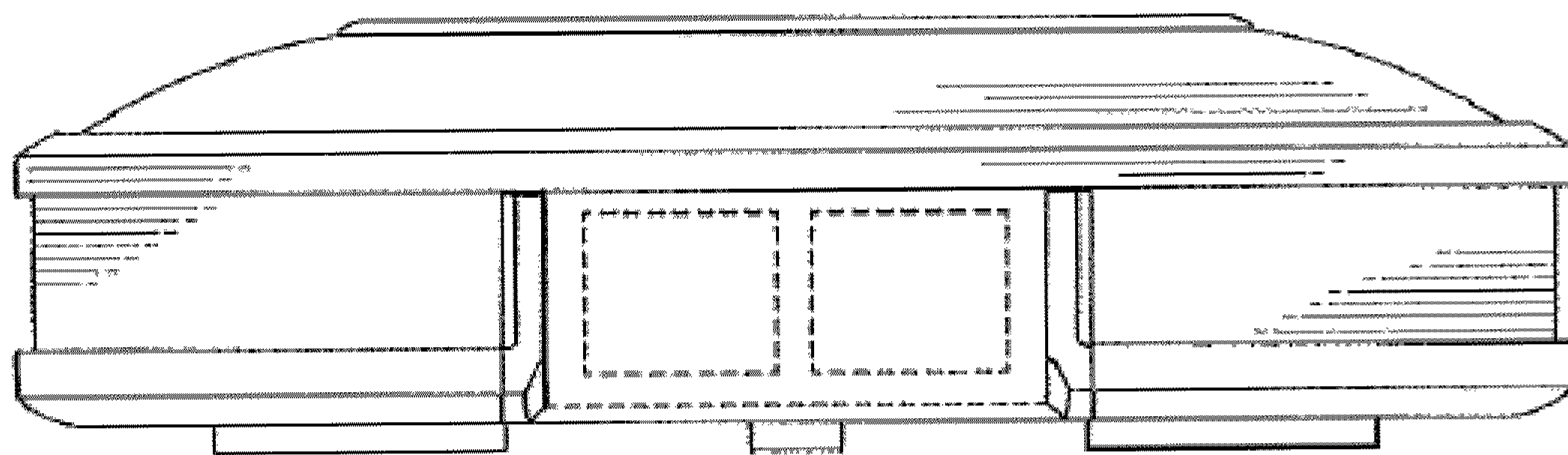


FIG. 3

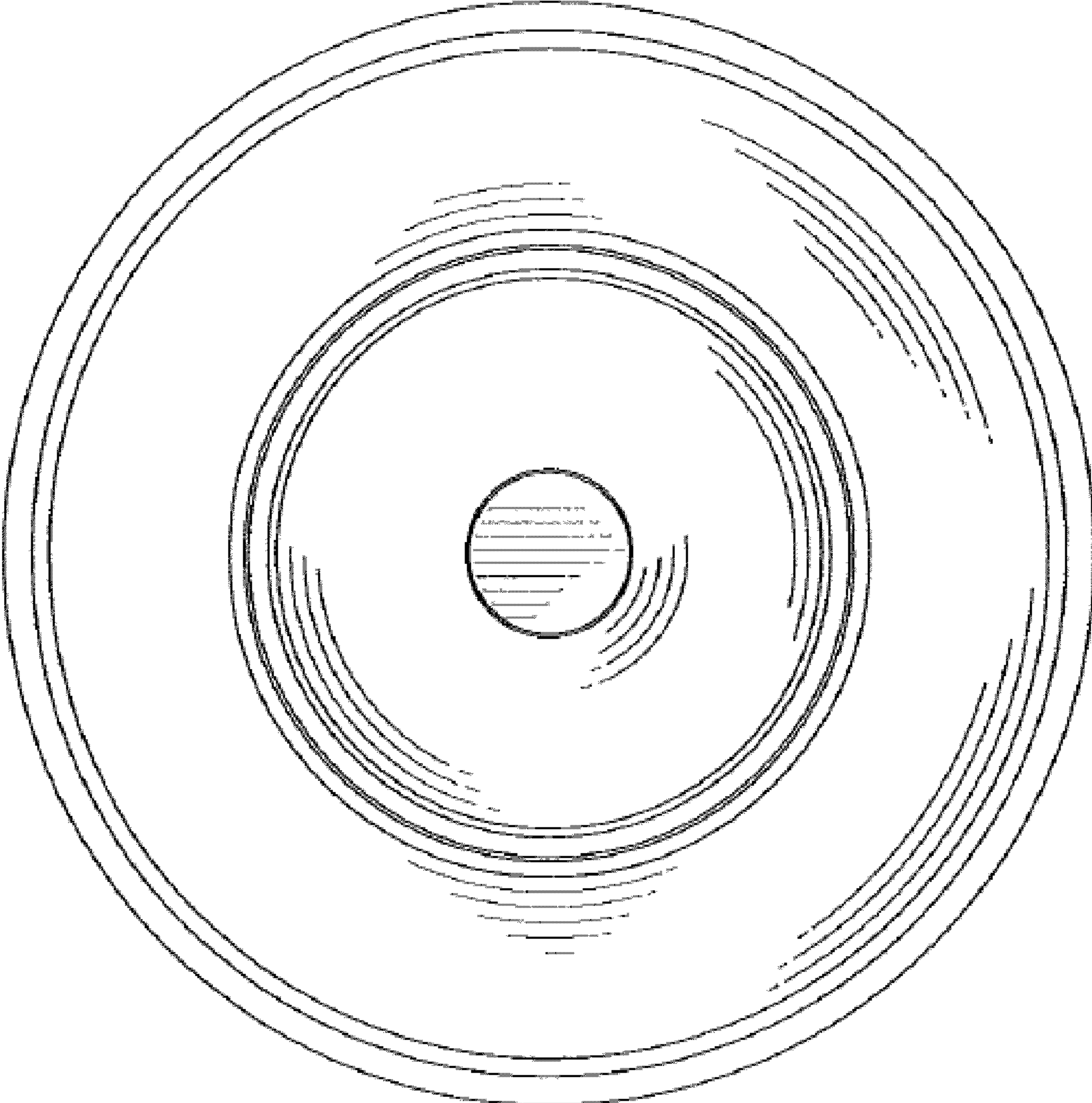


FIG. 4

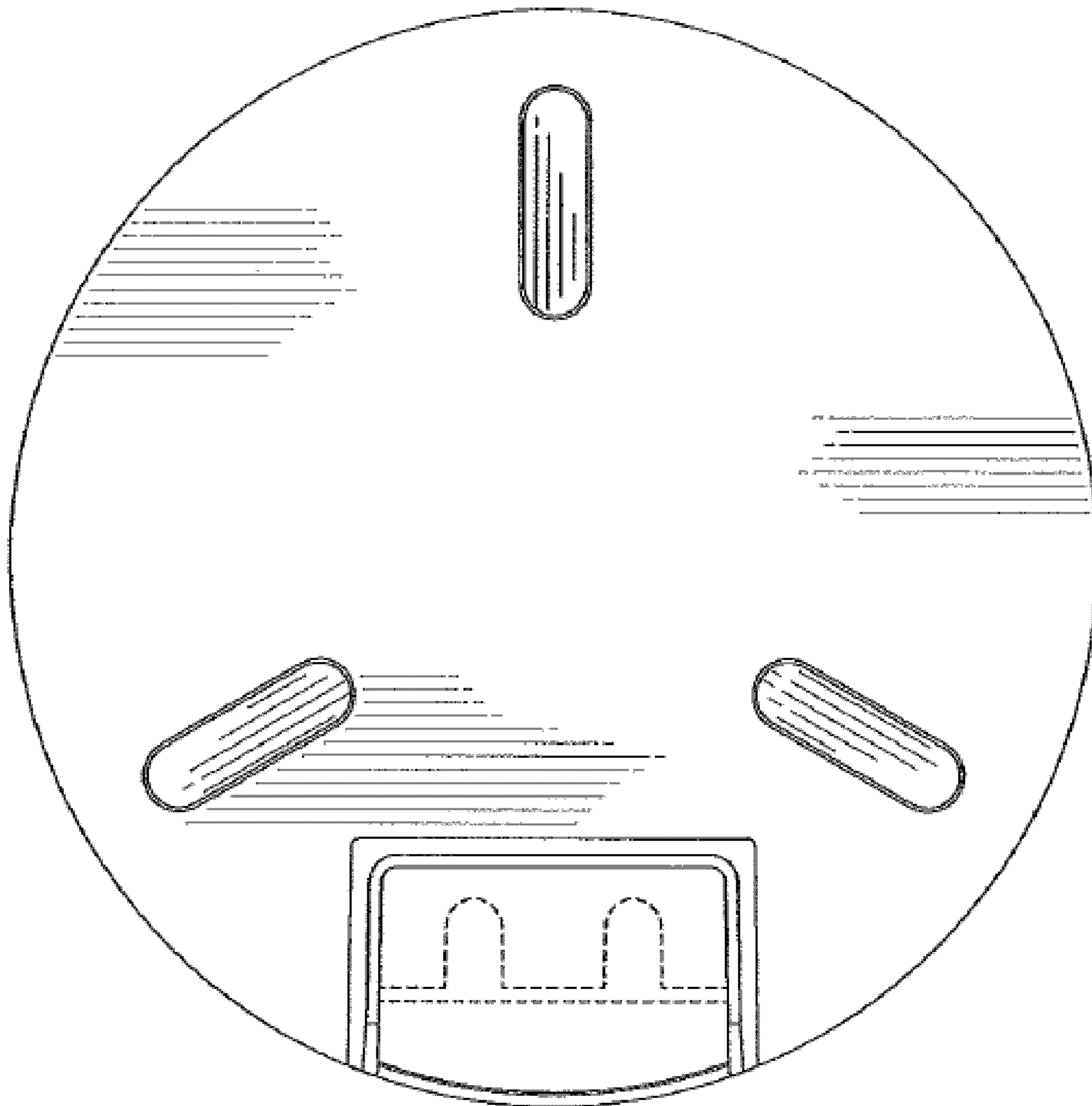


FIG. 5

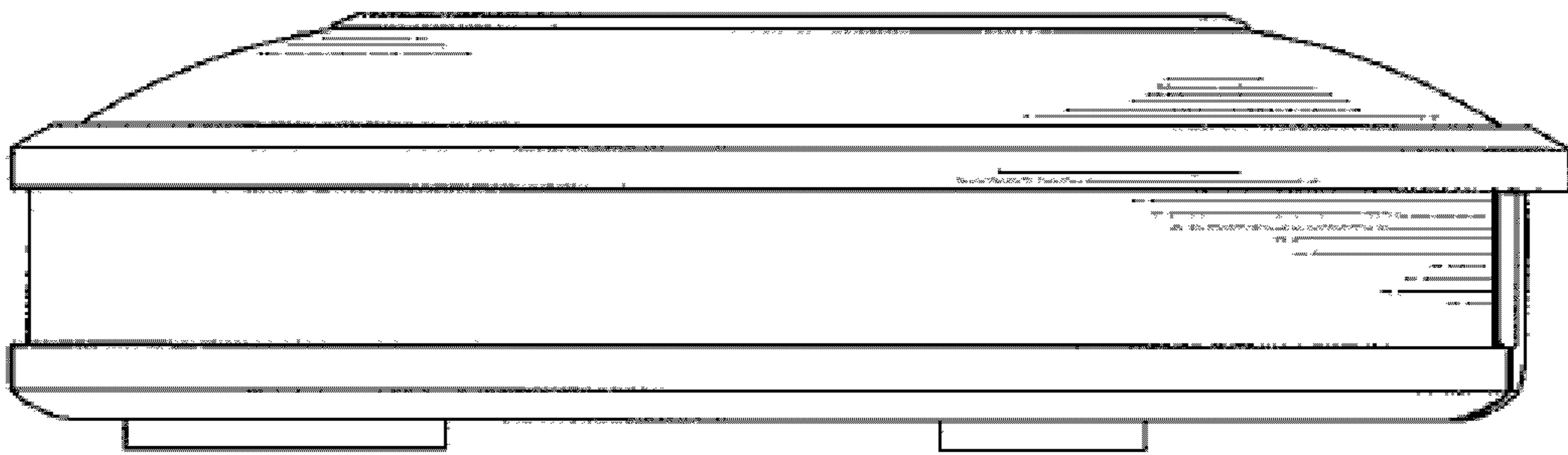


FIG. 6