



US00D743380S

(12) **United States Design Patent**
Kim et al.

(10) **Patent No.:** **US D743,380 S**

(45) **Date of Patent:** **** Nov. 17, 2015**

(54) **SPEAKER**

2400/07; H04R 2499/11; H04R 2499/13;
H04R 2499/15; H04S 3/00; H04S 7/30

(71) Applicant: **Samsung Electronics Co., Ltd.**,
Suwon-si, Gyeonggi-do (KR)

See application file for complete search history.

(72) Inventors: **KiSoo Kim**, Gunpo-si (KR); **Sangmin Hyun**, Seoul (KR)

(56) **References Cited**

U.S. PATENT DOCUMENTS

(73) Assignee: **SAMSUNG ELECTRONICS CO., LTD.** (KR)

D415,494 S *	10/1999	Curina	D14/211
D454,263 S *	3/2002	Worrall	D6/681.2
D500,156 S *	12/2004	Kao	D26/61
D560,655 S *	1/2008	Carbone et al.	D14/211
D581,697 S *	12/2008	Fix	D6/681.2
D595,442 S *	6/2009	Chan	D26/61
D617,314 S *	6/2010	Zha	D14/216
D674,531 S *	1/2013	Yuen	D26/93
D710,329 S *	8/2014	Holzer	D14/216
D716,764 S *	11/2014	Jeon et al.	D14/209.1
D729,205 S *	5/2015	Shu et al.	D14/216

(**) Term: **14 Years**

(21) Appl. No.: **29/486,073**

(22) Filed: **Mar. 26, 2014**

* cited by examiner

(30) **Foreign Application Priority Data**

Sep. 27, 2013 (KR) 30-2013-0049262

Primary Examiner — Keli L Hill

(51) **LOC (10) Cl.** **14-03**

(74) *Attorney, Agent, or Firm* — Cantor Colburn LLP

(52) **U.S. Cl.**
USPC **D14/216; D14/215**

(58) **Field of Classification Search**
USPC D14/167, 168, 170–172, 188, 194–196,
D14/204, 207, 209.1, 210–216, 219, 221,
D14/222, 224, 496; 181/143, 144, 147, 148,
181/150, 153, 157, 198, 199; 381/300–303,
381/306, 332, 333, 336, 345, 361–364,
381/386–388; 369/6–12; D26/51, 52, 61,
D26/67, 93, 106

CPC B60R 11/0217; G06F 1/1688; H04M 1/03;
H04M 1/035; H04R 1/02; H04R 1/06; H04R
1/021; H04R 1/025; H04R 1/026; H04R
1/028; H04R 1/105; H04R 1/323; H04R
1/403; H04R 1/2803; H04R 1/2834; H04R
5/02; H04R 7/20; H04R 9/06; H04R 9/025;
H04R 2201/021; H04R 2400/00; H04R

(57) **CLAIM**

The ornamental design for a speaker, as shown and described.

DESCRIPTION

FIG. 1 is a front perspective view of a speaker showing our new design;
FIG. 2 is a front view thereof;
FIG. 3 is a rear view thereof;
FIG. 4 is a left-side view thereof;
FIG. 5 is a right-side view thereof;
FIG. 6 is a top view thereof; and,
FIG. 7 is a bottom view thereof.
The broken lines are for environmental purposes only and form no part of the claimed design.

1 Claim, 7 Drawing Sheets

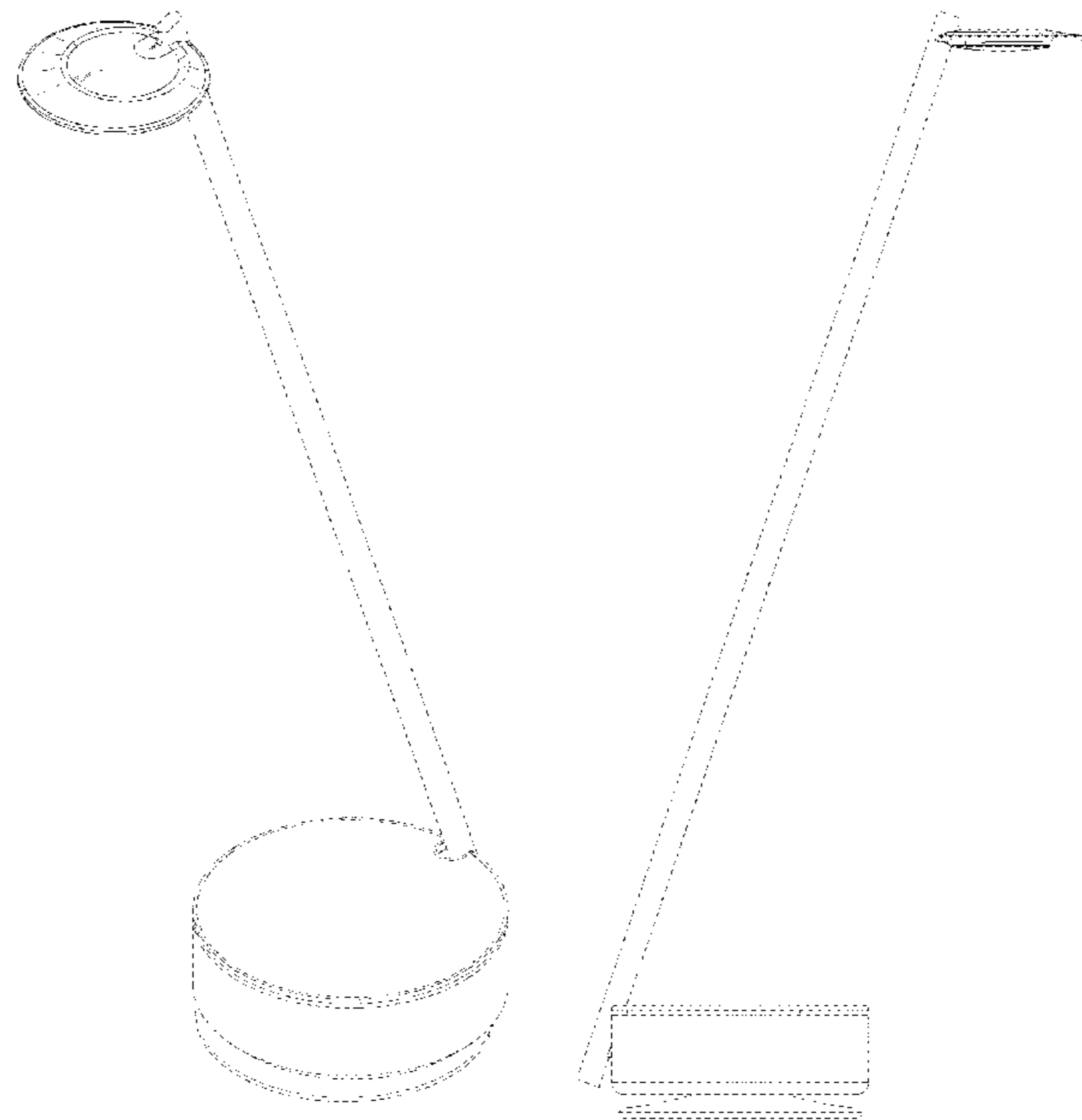


Fig. 1

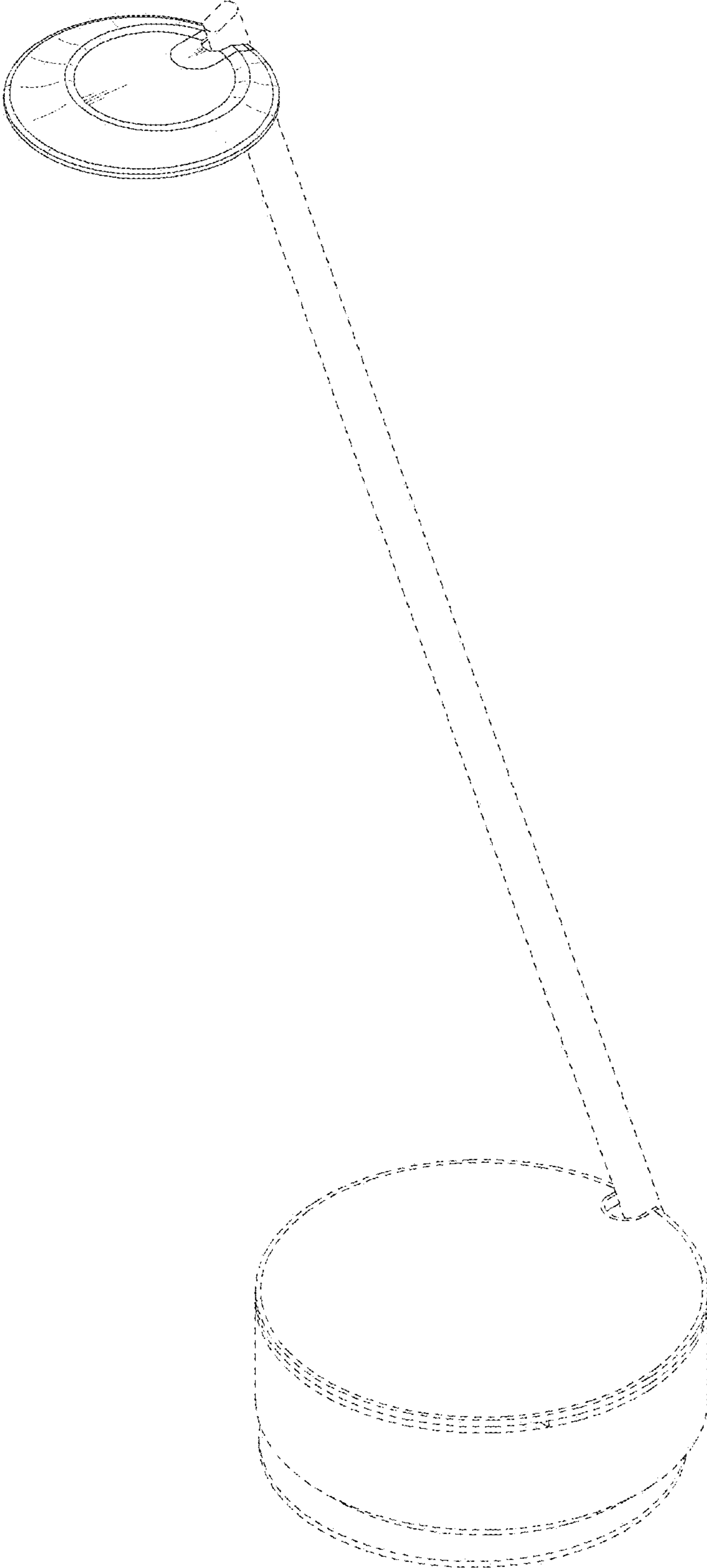


Fig. 2

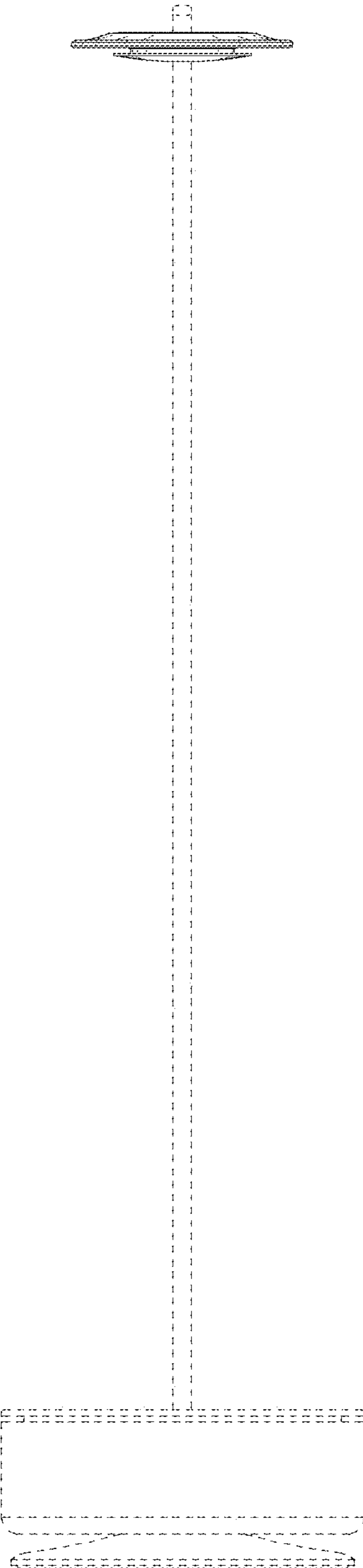


Fig. 3

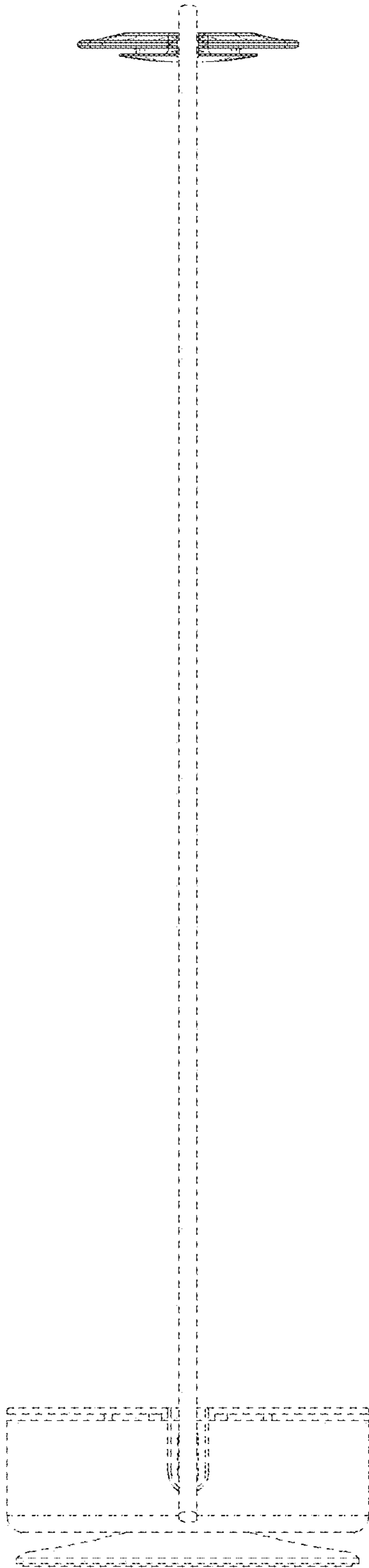


Fig. 4

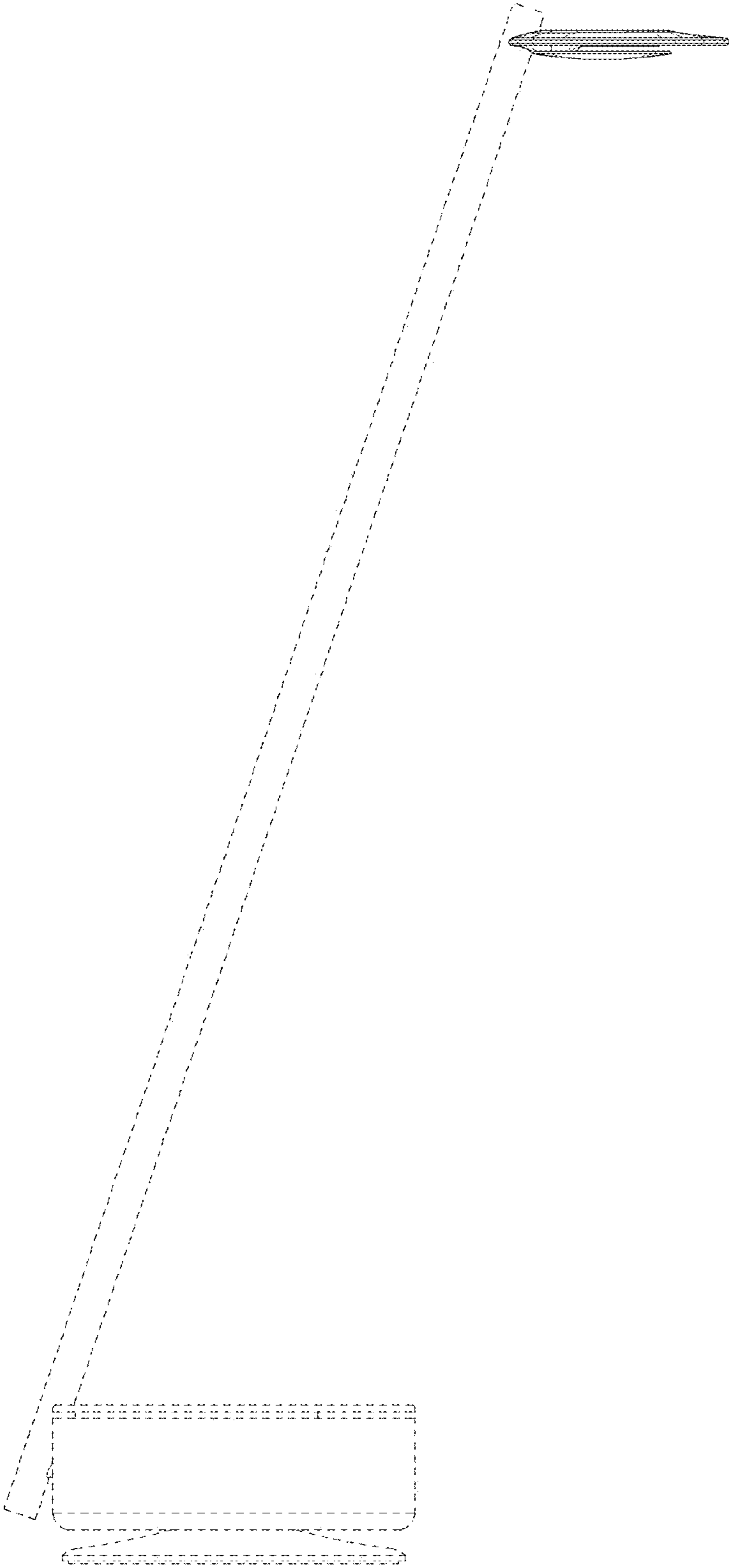


Fig. 5

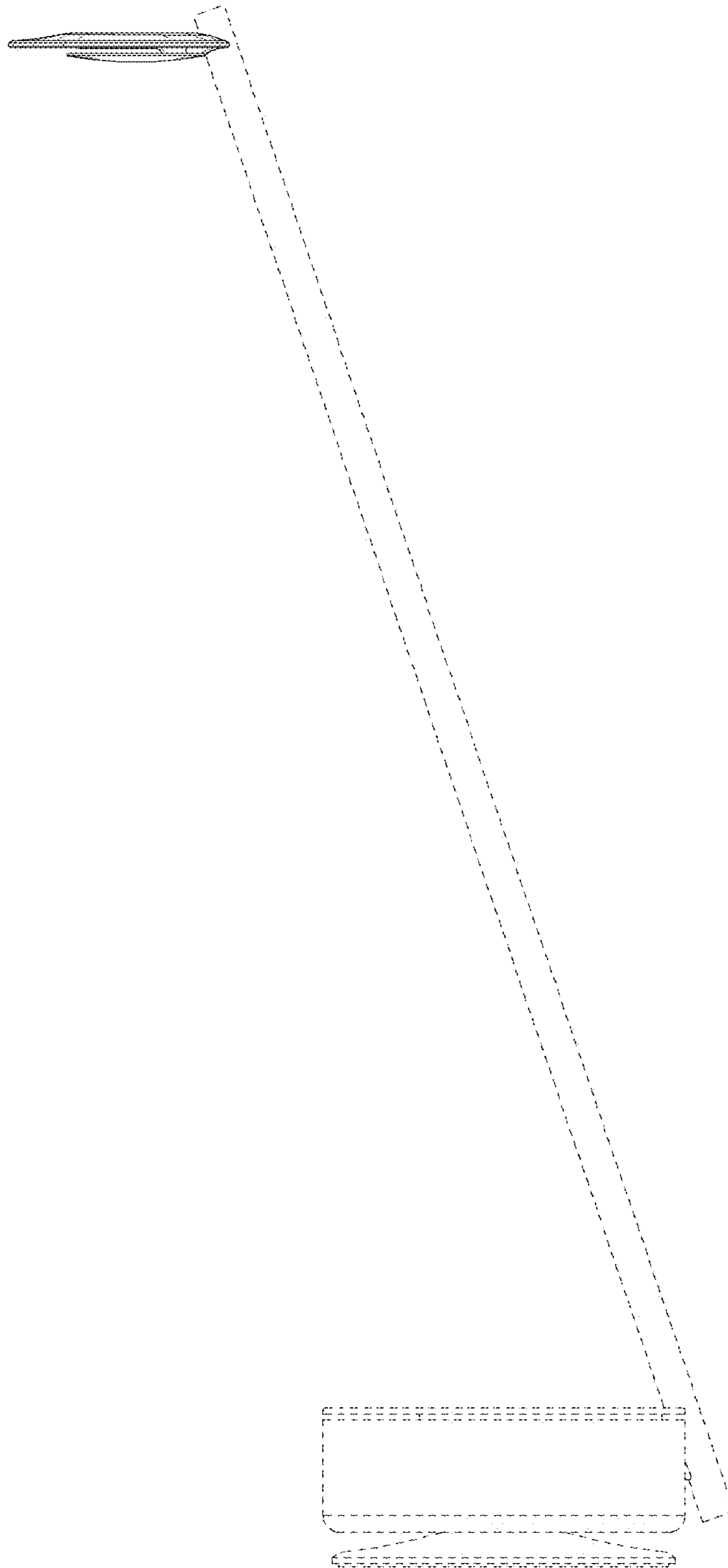


Fig. 6

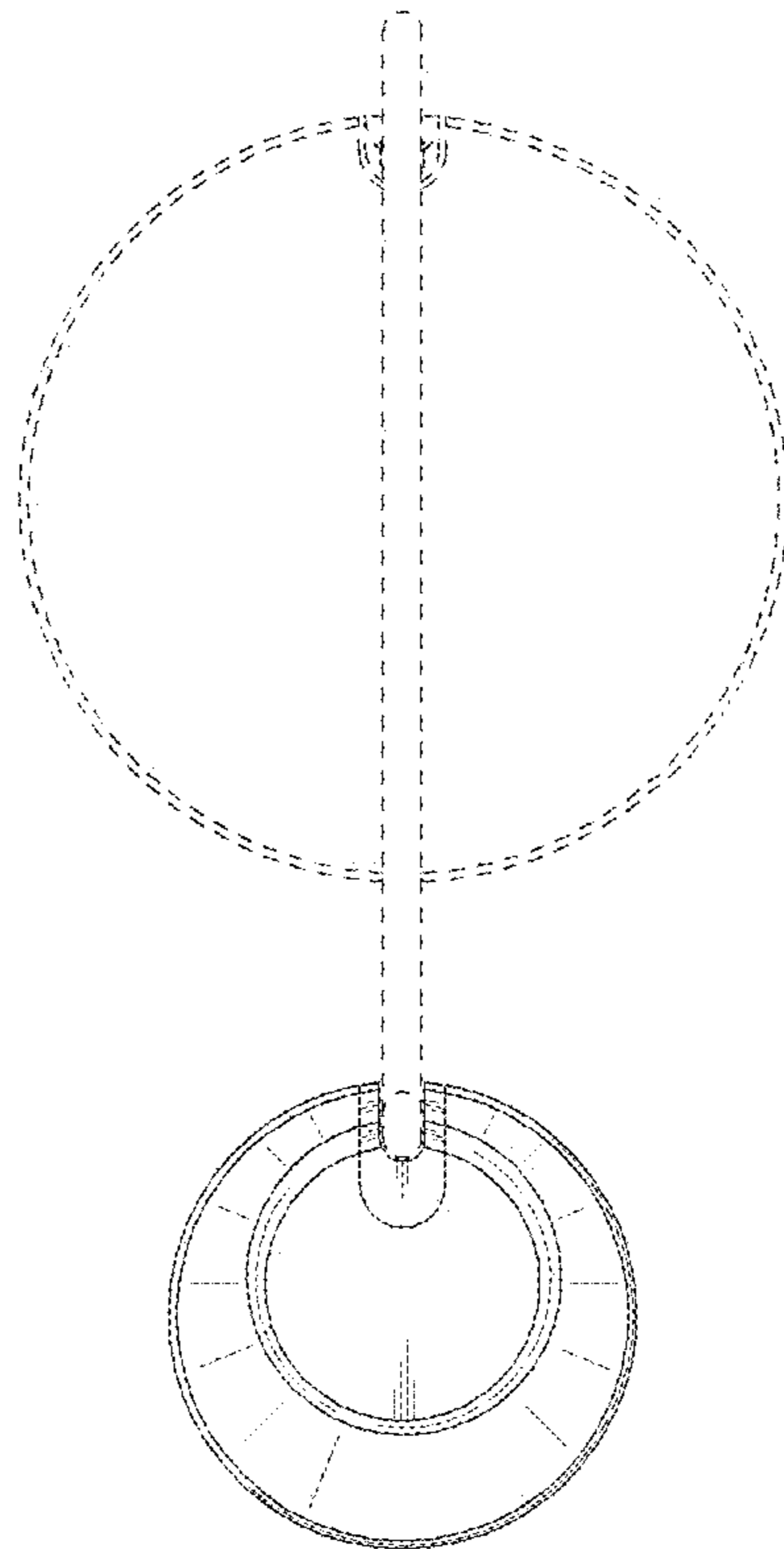


Fig. 7

