



US00D743378S

(12) **United States Design Patent**
Kim et al.

(10) **Patent No.:** **US D743,378 S**
(45) **Date of Patent:** **** Nov. 17, 2015**

(54) **SPEAKER**

(71) Applicant: **Samsung Electronics Co., Ltd.**,
Suwon-si, Gyeonggi-do (KR)

(72) Inventors: **KiSoo Kim**, Gunpo-si (KR); **Sangmin Hyun**, Seoul (KR)

(73) Assignee: **SAMSUNG ELECTRONICS CO., LTD.** (KR)

(**) Term: **14 Years**

(21) Appl. No.: **29/486,070**

(22) Filed: **Mar. 26, 2014**

(30) **Foreign Application Priority Data**

Sep. 27, 2013 (KR) 30-2013-0049261

(51) **LOC (10) Cl.** **14-03**

(52) **U.S. Cl.**
USPC **D14/216; D14/215; D14/213**

(58) **Field of Classification Search**
USPC D14/167, 168, 170-172, 188, 194-196,
D14/204, 207, 209.1, 210-216, 219, 221,
D14/222, 224, 496; 181/143, 144, 147, 148,
181/150, 153, 157, 198, 199; 381/300-303,
381/306, 332, 333, 336, 345, 361-364,
381/386-388; 369/6-12; D26/51, 52, 61,
D26/67, 93, 106

CPC B60R 11/0217; G06F 1/1688; H04M 1/03;
H04M 1/035; H04R 1/02; H04R 1/06; H04R
1/021; H04R 1/025; H04R 1/026; H04R
1/028; H04R 1/105; H04R 1/323; H04R
1/403; H04R 1/2803; H04R 1/2834; H04R
5/02; H04R 7/20; H04R 9/06; H04R 9/025;
H04R 2201/021; H04R 2400/00; H04R

2400/07; H04R 2499/11; H04R 2499/13;
H04R 2499/15; H04S 3/00; H04S 7/30

See application file for complete search history.

(56) **References Cited**

U.S. PATENT DOCUMENTS

| | | | | |
|--------------|---------|----------------|-------|-----------|
| D415,494 S * | 10/1999 | Curina | | D14/211 |
| D454,263 S * | 3/2002 | Worrall | | D6/681.2 |
| D500,156 S * | 12/2004 | Kao | | D26/61 |
| D560,655 S * | 1/2008 | Carbone et al. | | D14/211 |
| D581,697 S * | 12/2008 | Fix | | D6/681.2 |
| D595,442 S * | 6/2009 | Chan | | D26/61 |
| D617,314 S * | 6/2010 | Zha | | D14/216 |
| D674,531 S * | 1/2013 | Yuen | | D26/93 |
| D710,329 S * | 8/2014 | Holzer | | D14/216 |
| D716,764 S * | 11/2014 | Jeon et al. | | D14/209.1 |
| D729,205 S * | 5/2015 | Shu et al. | | D14/216 |

* cited by examiner

Primary Examiner — Keli L Hill

(74) *Attorney, Agent, or Firm* — Cantor Colburn LLP

(57) **CLAIM**

The ornamental design for a speaker, as shown and described.

DESCRIPTION

FIG. 1 is a front perspective view of a speaker showing our new design;

FIG. 2 is a front view thereof;

FIG. 3 is a rear view thereof;

FIG. 4 is a left-side view thereof;

FIG. 5 is a right-side view thereof;

FIG. 6 is a top view thereof; and,

FIG. 7 is a bottom view thereof.

1 Claim, 7 Drawing Sheets

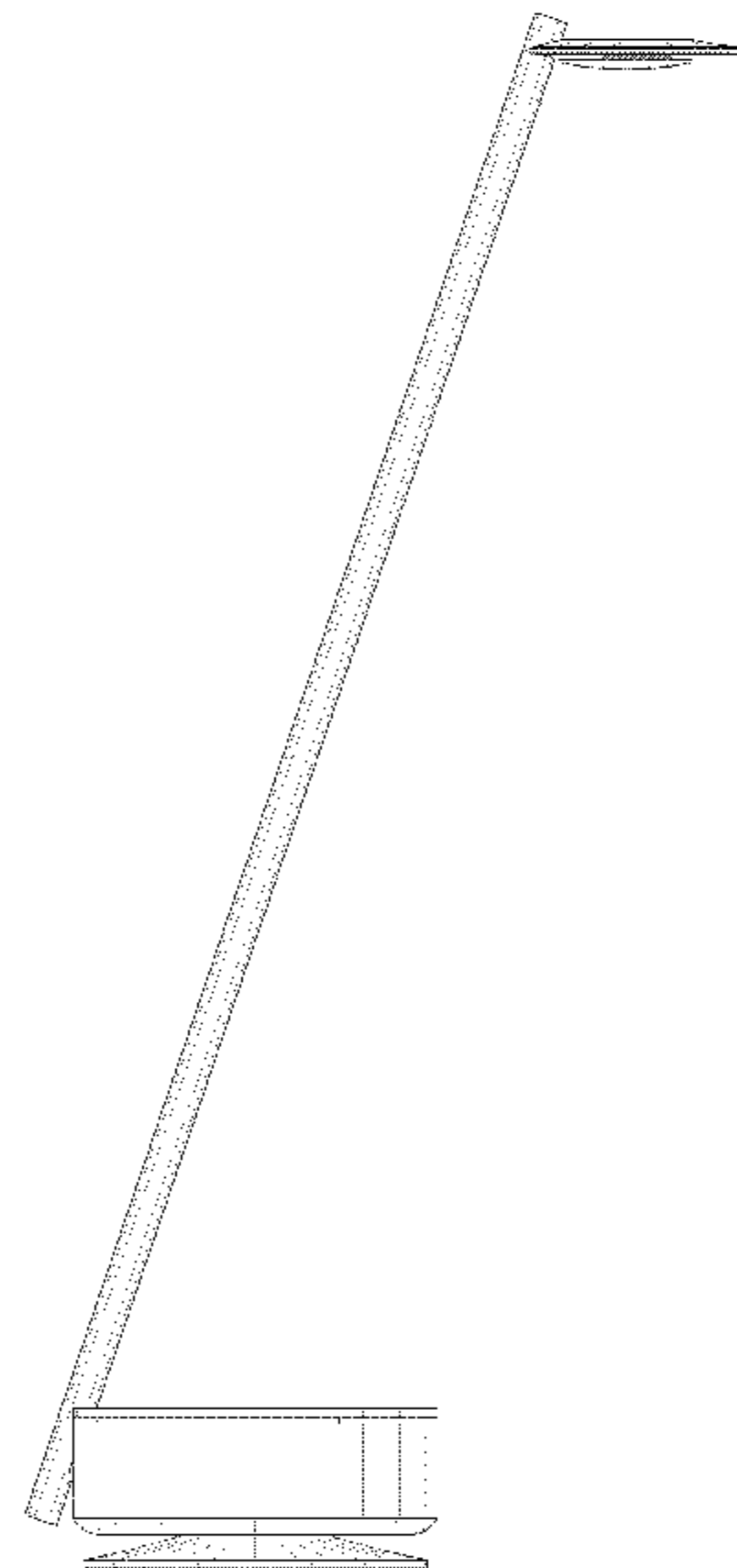
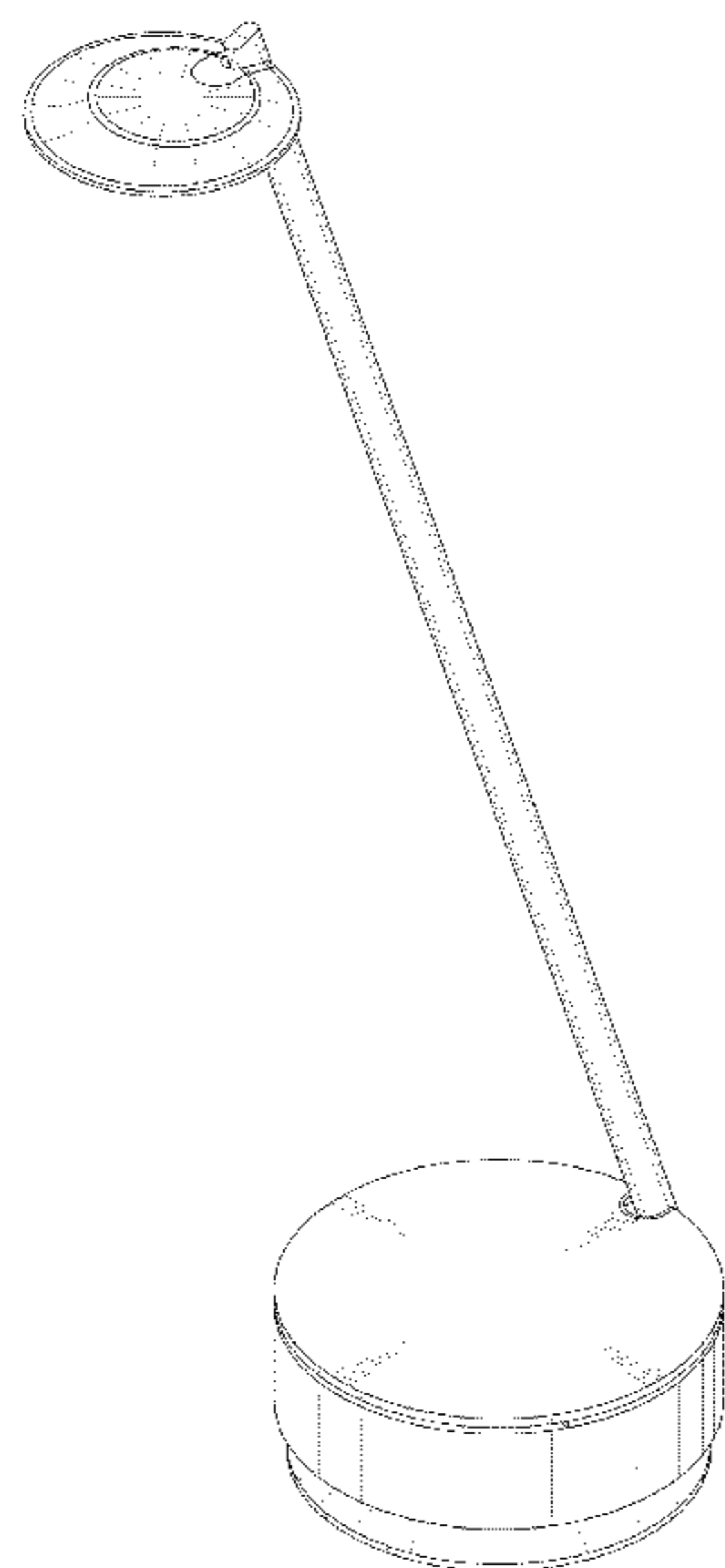


Fig. 1

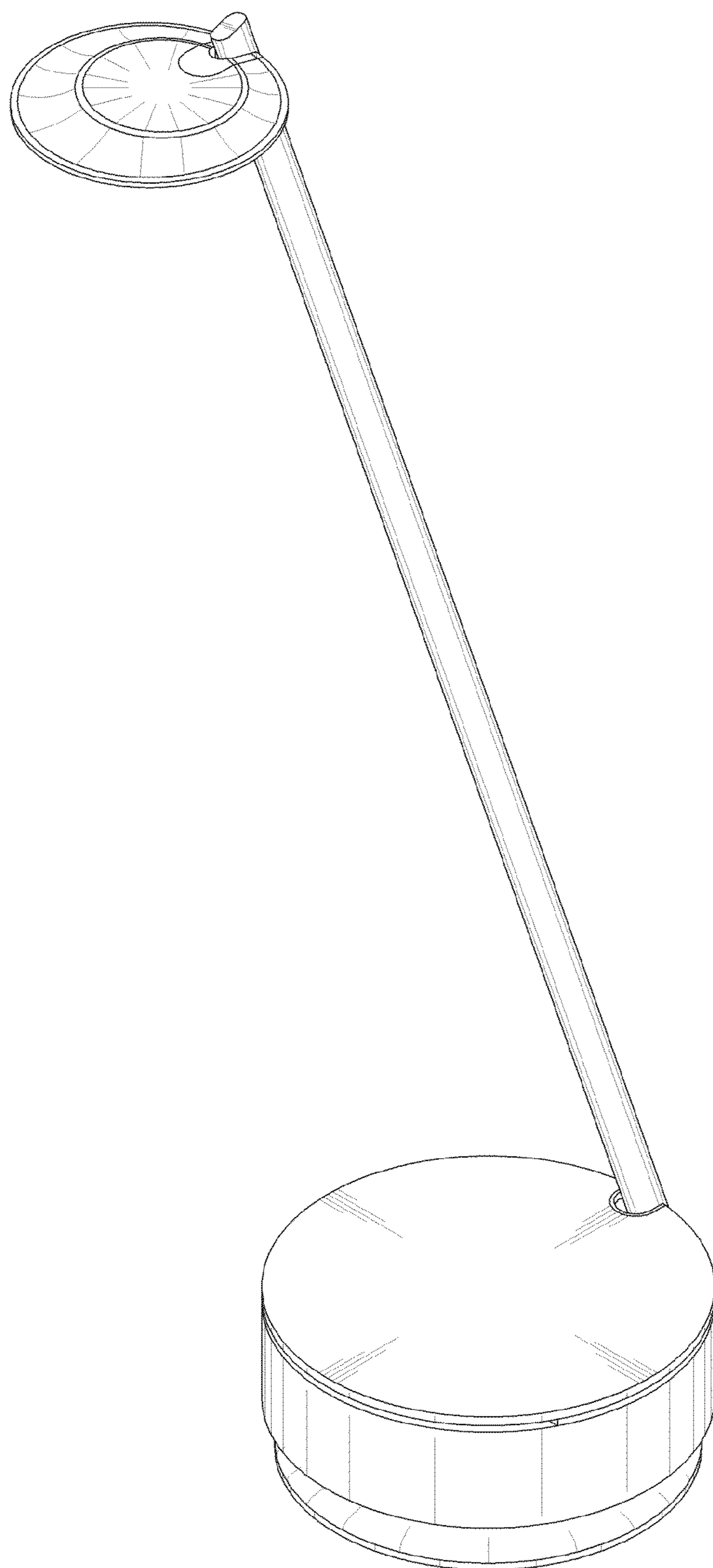


Fig. 2

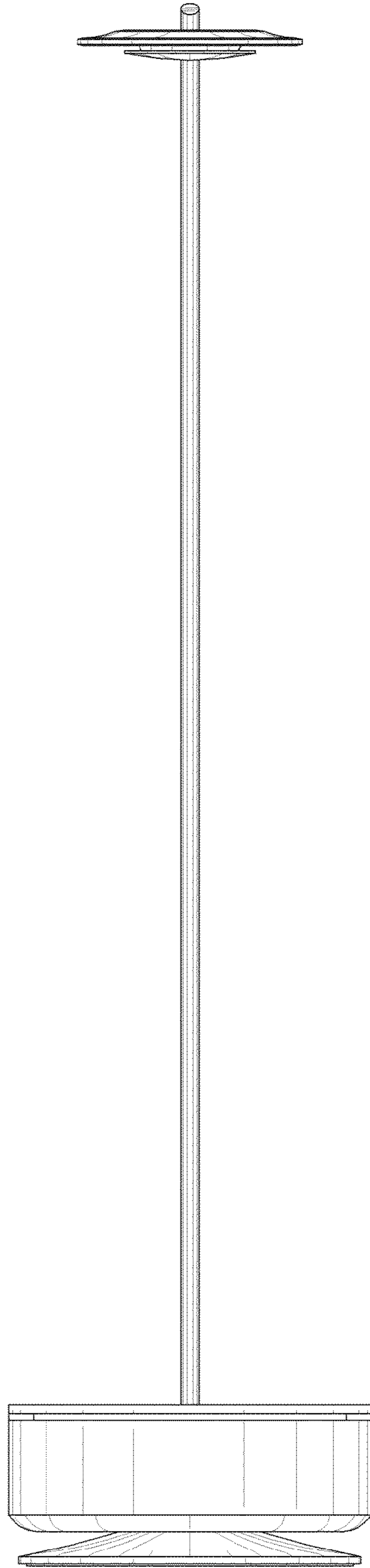


Fig. 3

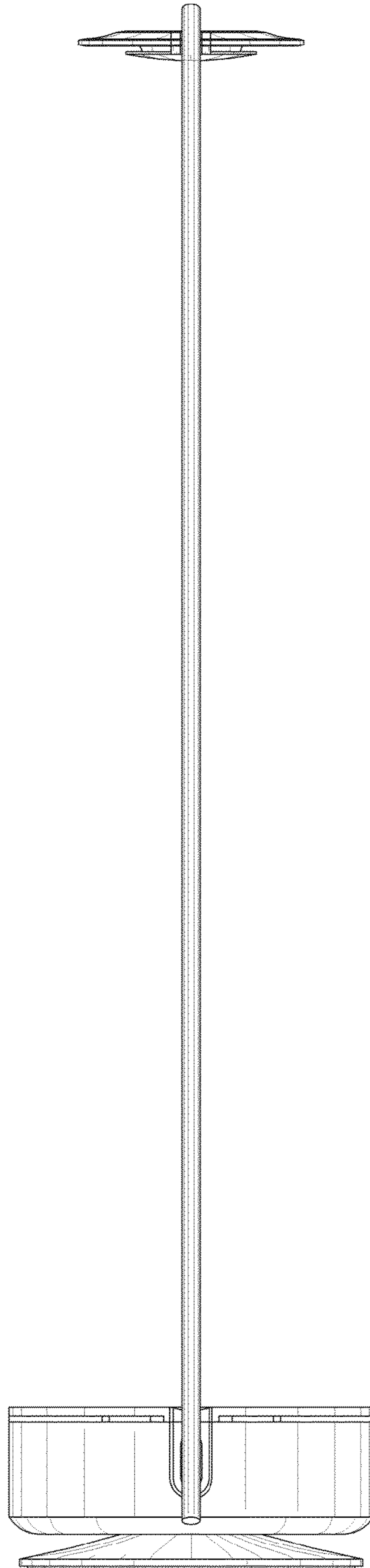


Fig. 4

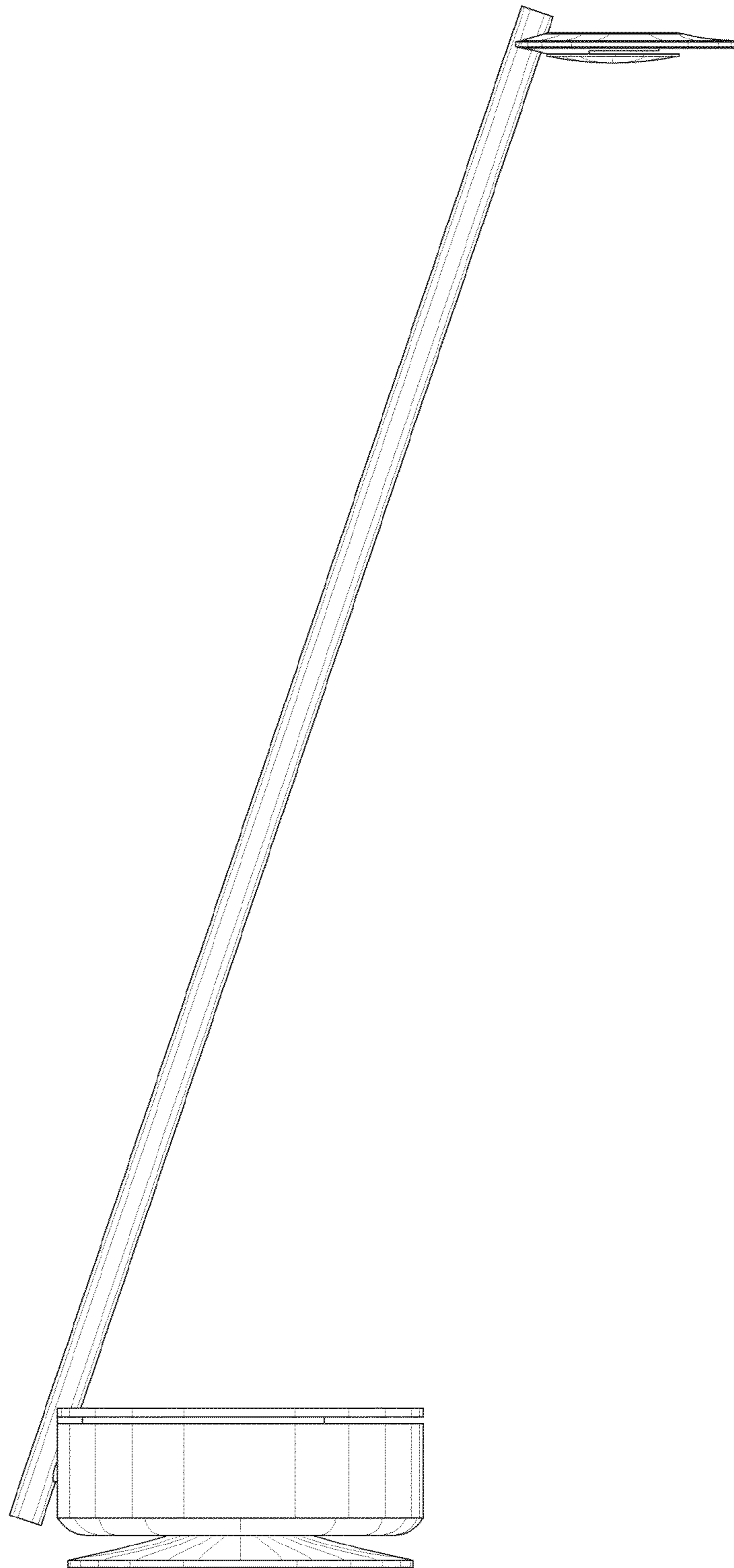


Fig. 5

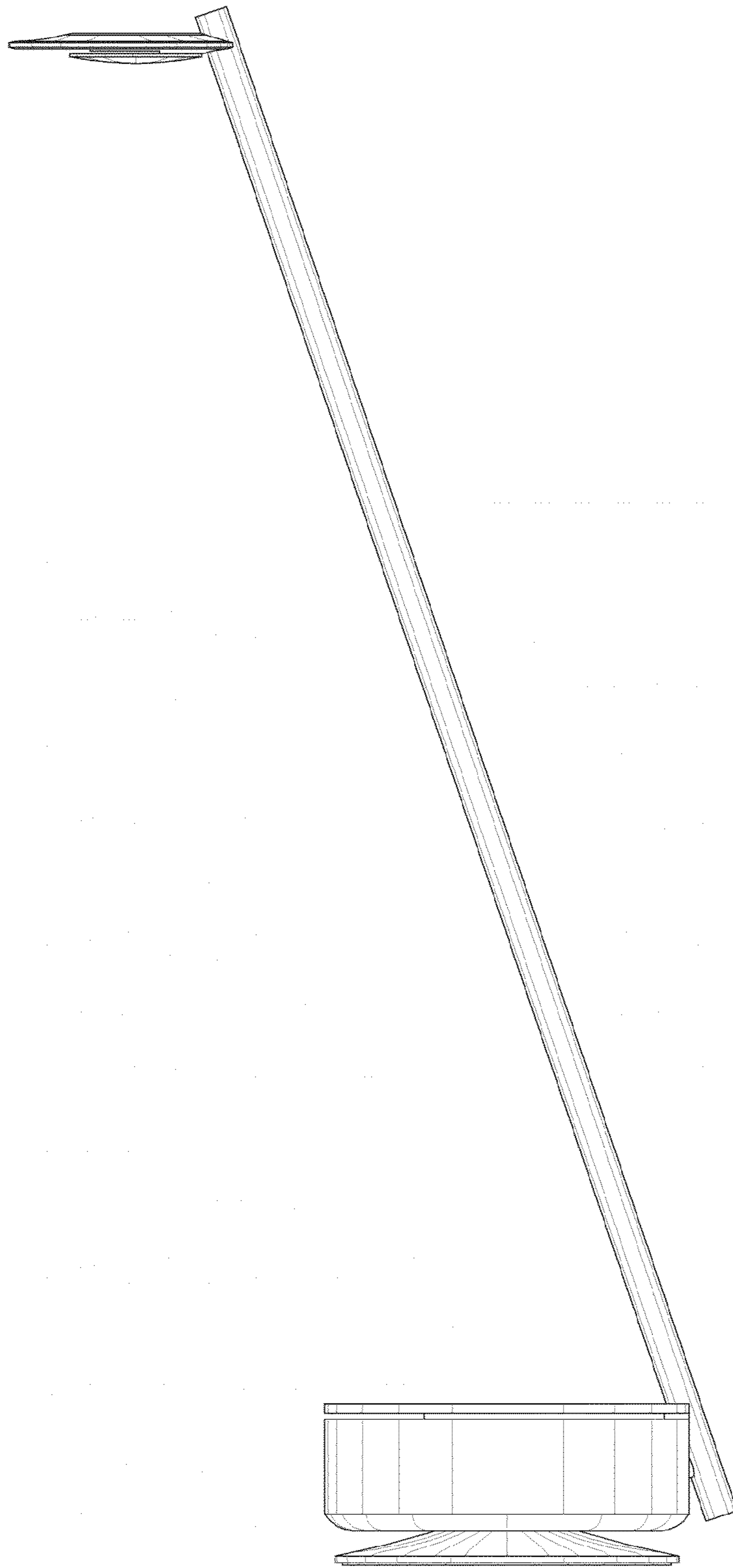


Fig. 6

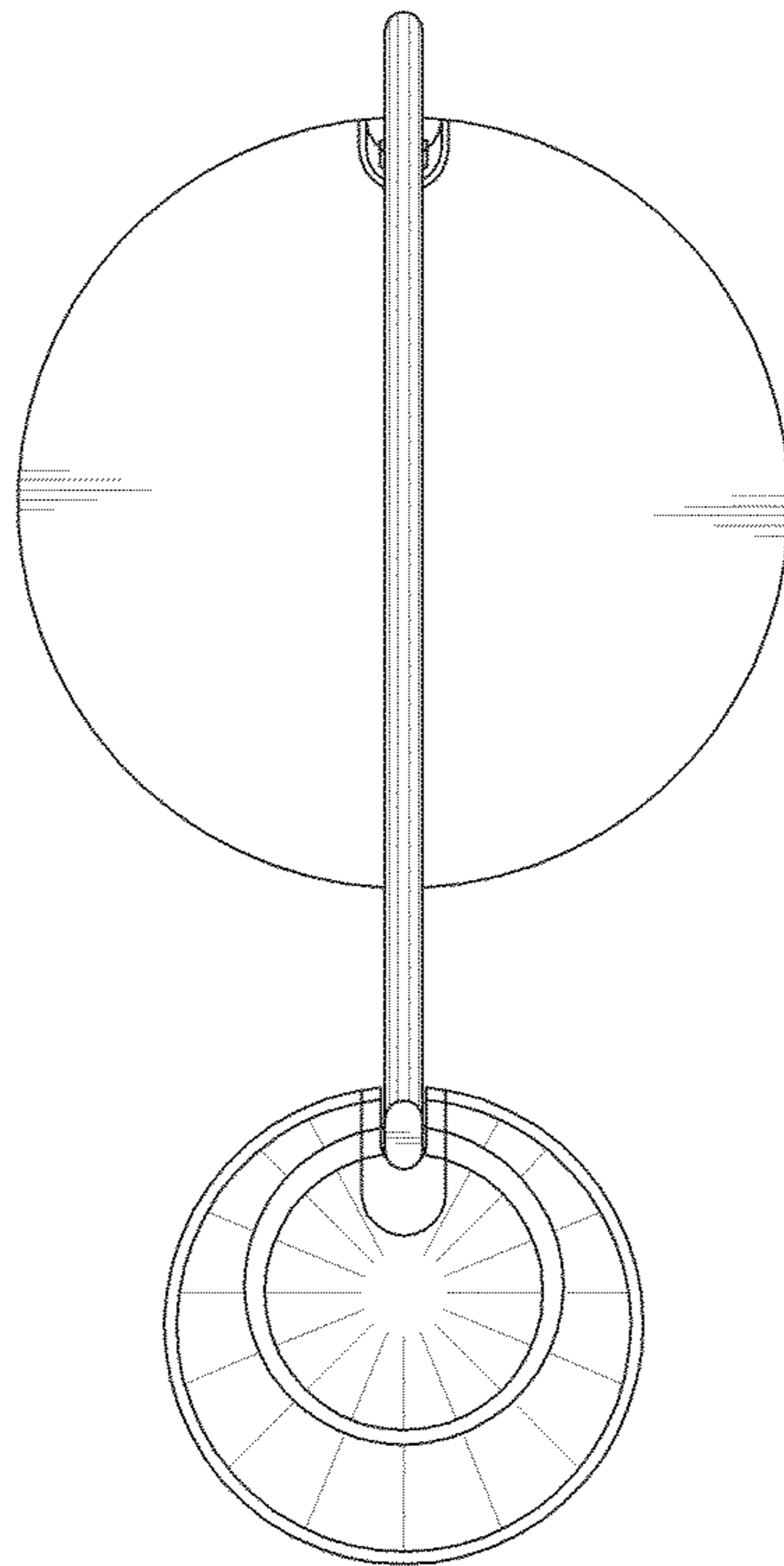


Fig. 7

