



US00D743372S

(12) **United States Design Patent**
Son et al.

(10) **Patent No.:** **US D743,372 S**
(45) **Date of Patent:** **** Nov. 17, 2015**

(54) **SPEAKER**

(71) Applicant: **Samsung Electronics Co., Ltd.**,
Suwon-Si, Gyeonggi-do (KR)
(72) Inventors: **Chae-Joo Son**, Namyangju (KR);
Jun-Ho Yang, Seongnam (KR)
(73) Assignee: **Samsung Electronics Co., Ltd.**,
Suwon-Si (KR)

(**) Term: **14 Years**

(21) Appl. No.: **29/461,505**

(22) Filed: **Jul. 24, 2013**

Related U.S. Application Data

(63) Continuation-in-part of application No. 29/428,264,
filed on Jul. 27, 2012, now Pat. No. Des. 687,810.

(51) **LOC (10) Cl.** **14-03**

(52) **U.S. Cl.**
USPC **D14/210**

(58) **Field of Classification Search**

USPC D14/168, 172, 194-196, 204, 207,
D14/209.1, 210-216, 221, 222; 181/143,
181/144, 147, 148, 150, 153, 157, 198,
181/199; 381/300-303, 306, 332, 333, 336,
381/345, 361-364, 386-388
CPC B60R 11/0217; G06F 1/1688; H04M 1/03;
H04M 1/035; H04N 5/642; H04N 21/4852;
H04R 1/02; H04R 1/06; H04R 1/021; H04R
1/025; H04R 1/026; H04R 1/028; H04R
1/105; H04R 1/323; H04R 1/403; H04R
1/2803; H04R 1/2834; H04R 5/02; H04R
7/20; H04R 9/06; H04R 9/025; H04R
2201/021; H04R 2400/00; H04R 2400/07;
H04R 2499/11; H04R 2499/13; H04R
2499/15; H04S 3/00; H04S 7/30
See application file for complete search history.

(56) **References Cited**

U.S. PATENT DOCUMENTS

D284,084 S 6/1986 Ferrara, Jr.
D306,583 S 3/1990 Krolopp et al.

(Continued)

FOREIGN PATENT DOCUMENTS

KR 3004583830000 8/2007
KR 3004602570000 8/2007

(Continued)

OTHER PUBLICATIONS

U.S. Appl. No. 29/393,984, Applicant: Lee, et al., filed Jun. 10, 2011
entitled Speaker.

(Continued)

Primary Examiner — Keli L Hill

(74) *Attorney, Agent, or Firm* — Wood, Herron & Evans,
LLP

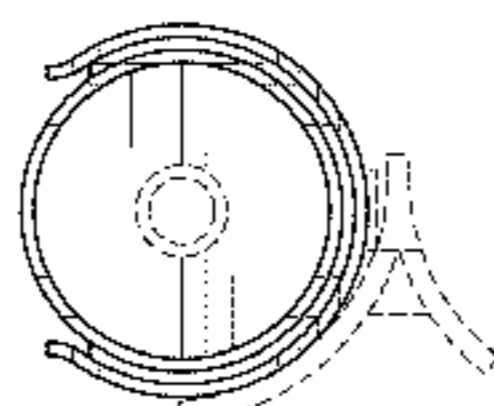
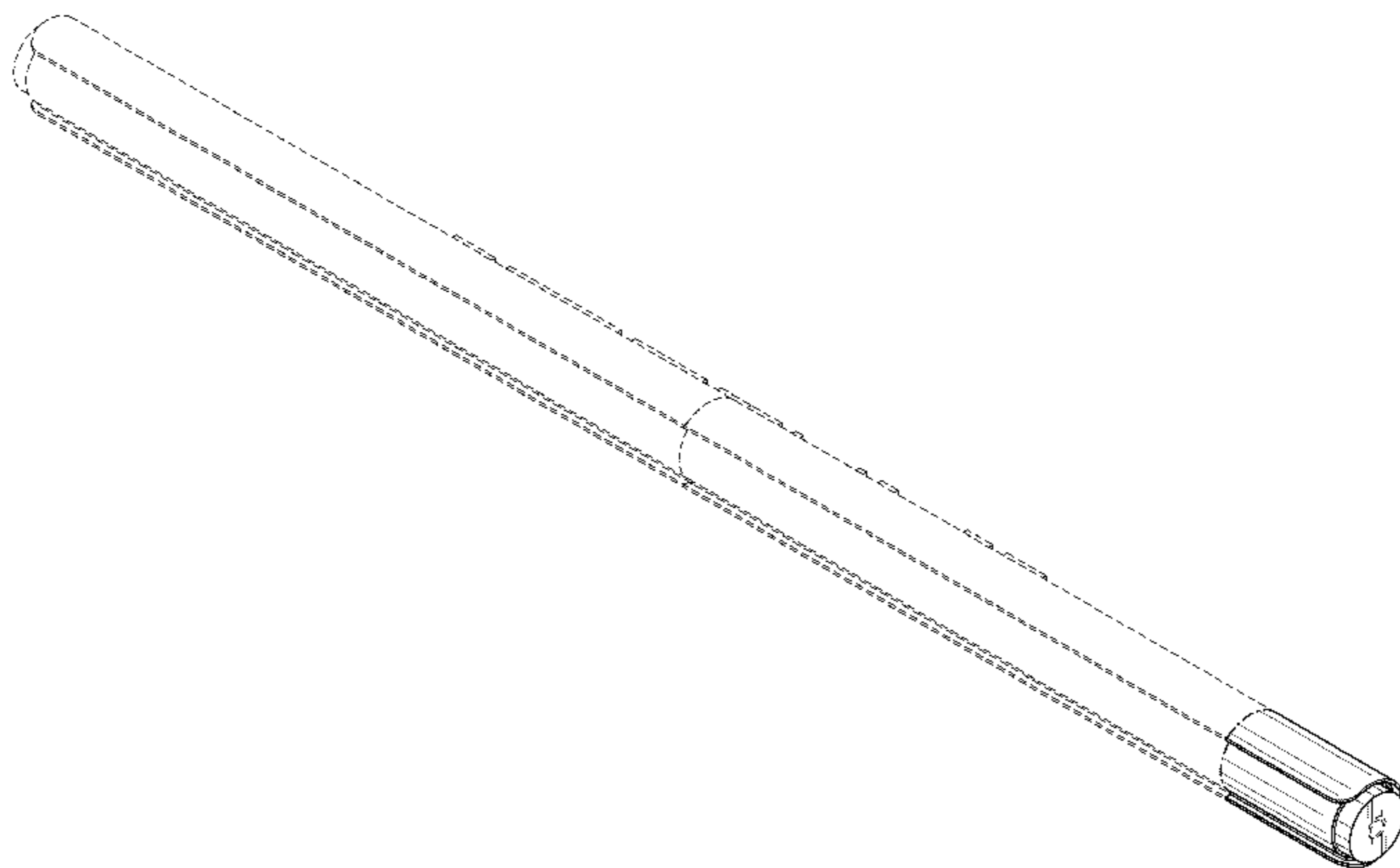
(57) **CLAIM**

The ornamental design for a speaker, as shown and described.

DESCRIPTION

FIG. 1 is a top front perspective view of a speaker showing our
new design;
FIG. 2 is a front view thereof;
FIG. 3 is a rear view thereof;
FIG. 4 is a left side view thereof;
FIG. 5 is a right side view thereof;
FIG. 6 is a top view thereof;
FIG. 7 is a bottom view thereof; and,
FIG. 8 is an enlarged detail view of the right side of the
speaker as shown in FIG. 5.
The broken lines illustrating portions of the speaker are for
environmental purposes only and form no part of the claimed
design.

1 Claim, 3 Drawing Sheets



(56)

References Cited

U.S. PATENT DOCUMENTS

D333,574 S 3/1993 Ackeret
 D337,569 S 7/1993 Kando
 D471,893 S 3/2003 Jung
 D500,991 S 1/2005 Niitsu
 D504,889 S 5/2005 Andre et al.
 D520,975 S 5/2006 Kim et al.
 D529,019 S 9/2006 Lim
 D532,791 S 11/2006 Kim
 D537,072 S 2/2007 Kim et al.
 D540,780 S 4/2007 Kim
 D545,300 S 6/2007 Hong et al.
 D548,222 S 8/2007 Kim
 D551,655 S 9/2007 Kim
 D551,665 S 9/2007 Tom et al.
 D560,209 S 1/2008 Kim et al.
 D560,211 S 1/2008 Kim et al.
 D560,686 S 1/2008 Kim
 D561,141 S 2/2008 Cho et al.
 D561,142 S 2/2008 Oh
 D561,161 S 2/2008 Cho
 D563,804 S 3/2008 Kimura et al.
 D567,203 S 4/2008 Park
 D570,333 S 6/2008 Cho
 D570,828 S 6/2008 Cho
 D571,785 S 6/2008 Kim
 D571,786 S 6/2008 Cho
 D573,584 S 7/2008 Kim
 D579,003 S 10/2008 Kim et al.
 D579,915 S 11/2008 Yeo
 D579,930 S 11/2008 Maskatia
 D583,801 S 12/2008 Son et al.
 D584,286 S 1/2009 Kim
 D584,288 S 1/2009 Kim
 D584,738 S 1/2009 Kim et al.
 D586,781 S 2/2009 Kim
 D586,782 S 2/2009 Kim
 D586,785 S 2/2009 Kim
 D587,237 S 2/2009 Son et al.
 D588,103 S 3/2009 Lee et al.
 D588,104 S 3/2009 Lee et al.
 D588,576 S 3/2009 Son et al.
 D590,374 S 4/2009 Madonna et al.
 D591,269 S 4/2009 Kim et al.
 D592,179 S 5/2009 Ichinose et al.
 D592,214 S 5/2009 Bradford
 D593,068 S 5/2009 Kim et al.
 D593,069 S 5/2009 Son et al.
 D598,899 S 8/2009 Tkachuk
 D602,014 S 10/2009 Andre et al.
 D602,487 S 10/2009 Maskatia
 D605,626 S 12/2009 Park
 D610,582 S 2/2010 Sugitani et al.
 D611,364 S 3/2010 Lenz et al.
 D613,310 S 4/2010 Kim
 D613,311 S 4/2010 Kim
 D613,510 S 4/2010 Tzeng et al.
 D613,951 S 4/2010 Tang et al.
 D615,963 S 5/2010 Cho et al.

D617,793 S 6/2010 Chiang et al.
 D622,270 S 8/2010 Andre et al.
 D624,047 S 9/2010 Kim
 D624,048 S 9/2010 Kim
 D627,667 S 11/2010 Lenz et al.
 D628,556 S 12/2010 Lee et al.
 D628,913 S 12/2010 Cheng
 D629,388 S 12/2010 Son et al.
 D629,799 S 12/2010 Andre et al.
 D631,868 S 2/2011 Chung
 D633,076 S 2/2011 Kim et al.
 D634,302 S 3/2011 Chung et al.
 D640,255 S 6/2011 Lee et al.
 D657,774 S 4/2012 Chung et al.
 D660,285 S 5/2012 Lee et al.
 D660,286 S 5/2012 Lee et al.
 D671,525 S 11/2012 Chung
 D704,679 S * 5/2014 Asaka et al. D14/221
 2009/0231292 A1 9/2009 Hsieh et al.

FOREIGN PATENT DOCUMENTS

KR 3004608520000 8/2007
 KR 3004659690000 10/2007
 KR 3005005060000 7/2008
 KR 3005992810000 5/2011
 KR 3006052260000 7/2011
 KR 3006060320000 7/2011
 KR 3006063520000 7/2011
 KR 3006067150000 7/2011
 KR 3006067180000 7/2011
 KR 3006067290000 7/2011
 KR 3006067430000 7/2011
 KR 3006067570000 7/2011
 KR 3006076710000 8/2011

OTHER PUBLICATIONS

U.S. Appl. No. 29/393,985, Applicant: Lee, et al., filed Jun. 10, 2011 entitled Speaker.
 U.S. Appl. No. 29/430,822, Applicant: Lee, Gwon-Gak, filed Sep. 30, 2012 entitled Speaker.
 U.S. Appl. No. 29/419,031, Applicant: Shim et al., filed Apr. 24, 2012 entitled Speaker.
 U.S. Appl. No. 29/419,036, Applicant: Lee et al., filed Apr. 24, 2012 entitled Speaker.
 U.S. Appl. No. 29/428,264, Applicant: Son et al., filed Jul. 27, 2012 entitled Speaker.
 U.S. Appl. No. 29/430,812, Applicant: Lee, Gil-Jae., filed Aug. 30, 2012 entitled Speaker.
 U.S. Appl. No. 29/431,755, Applicant: Lee, Gil-Jae, filed Sep. 11, 2012 entitled Speaker.
 U.S. Appl. No. 29/431,753, Applicant: Lee et al., filed Sep. 11, 2012 entitled Speaker.
 U.S. Appl. No. 29/430,828, Applicant: Lee et al., filed Aug. 30, 2012 entitled Speaker.
 U.S. Appl. No. 29/461,471, Applicant: Lee et al., filed Jul. 23, 2013 entitled Speaker.

* cited by examiner

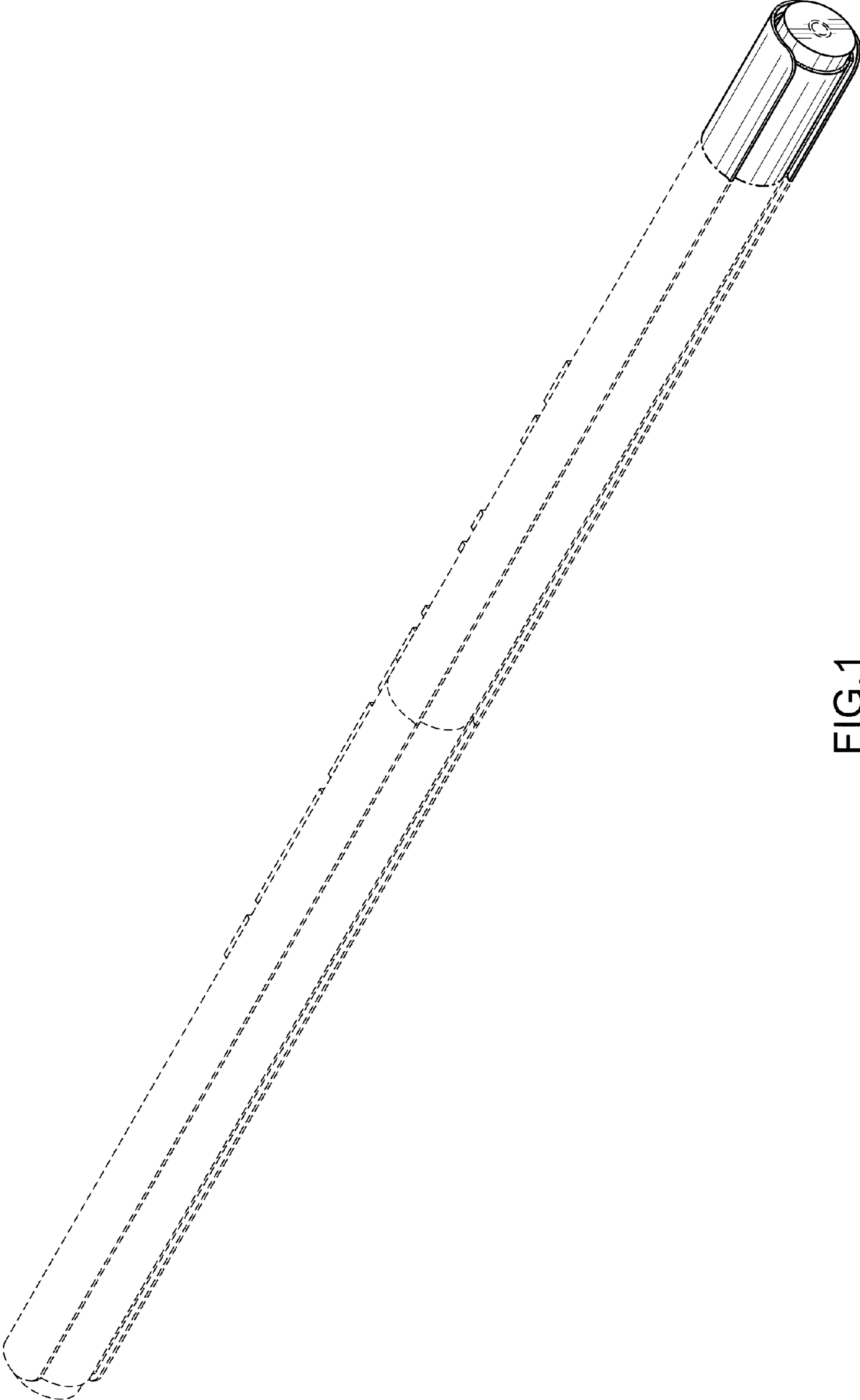


FIG.1

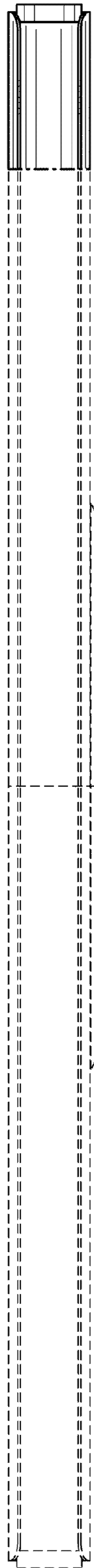


FIG. 2

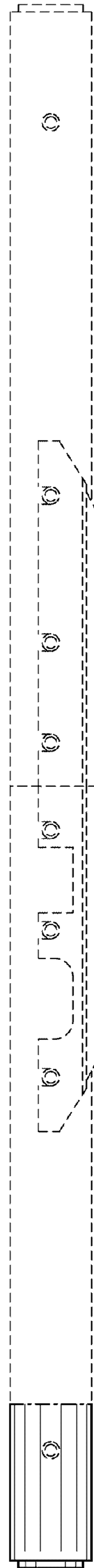


FIG. 3

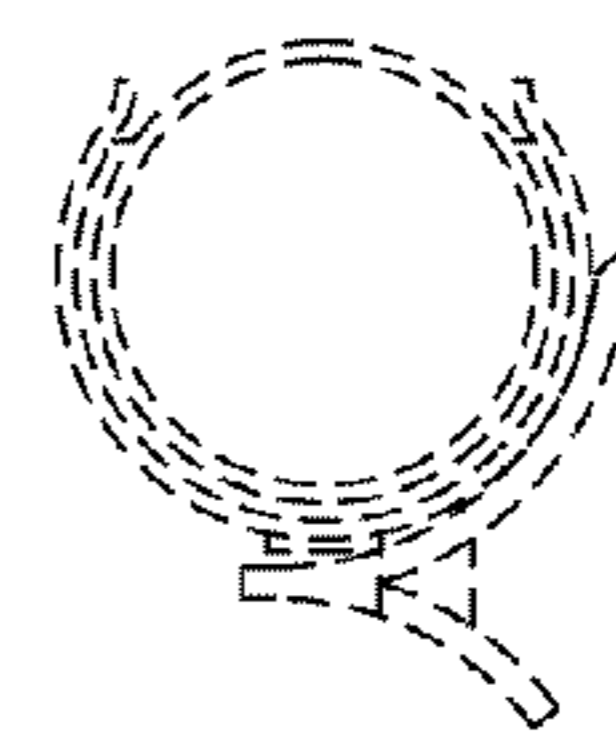


FIG. 4

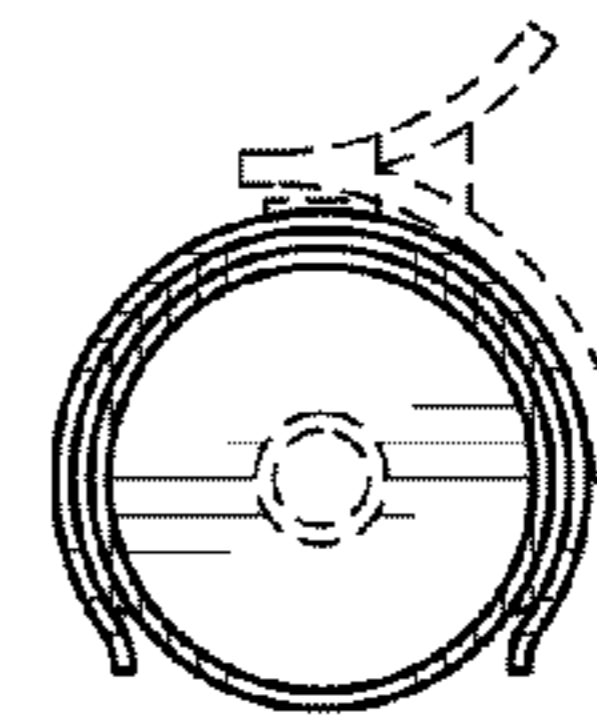


FIG. 5

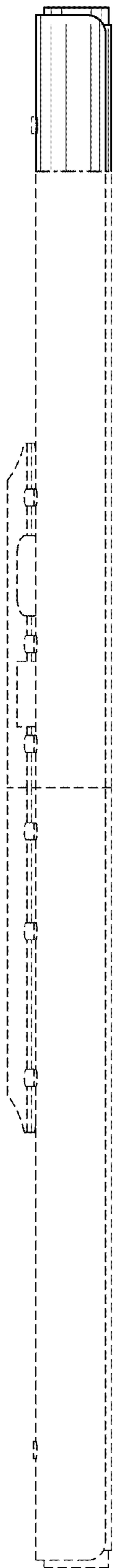


FIG. 6

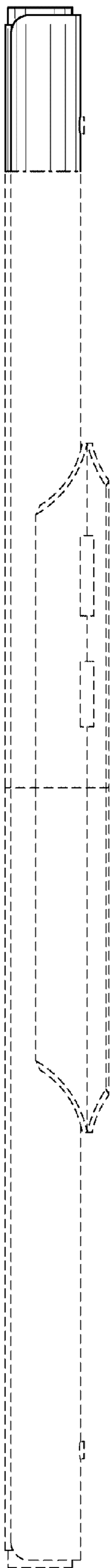


FIG. 7

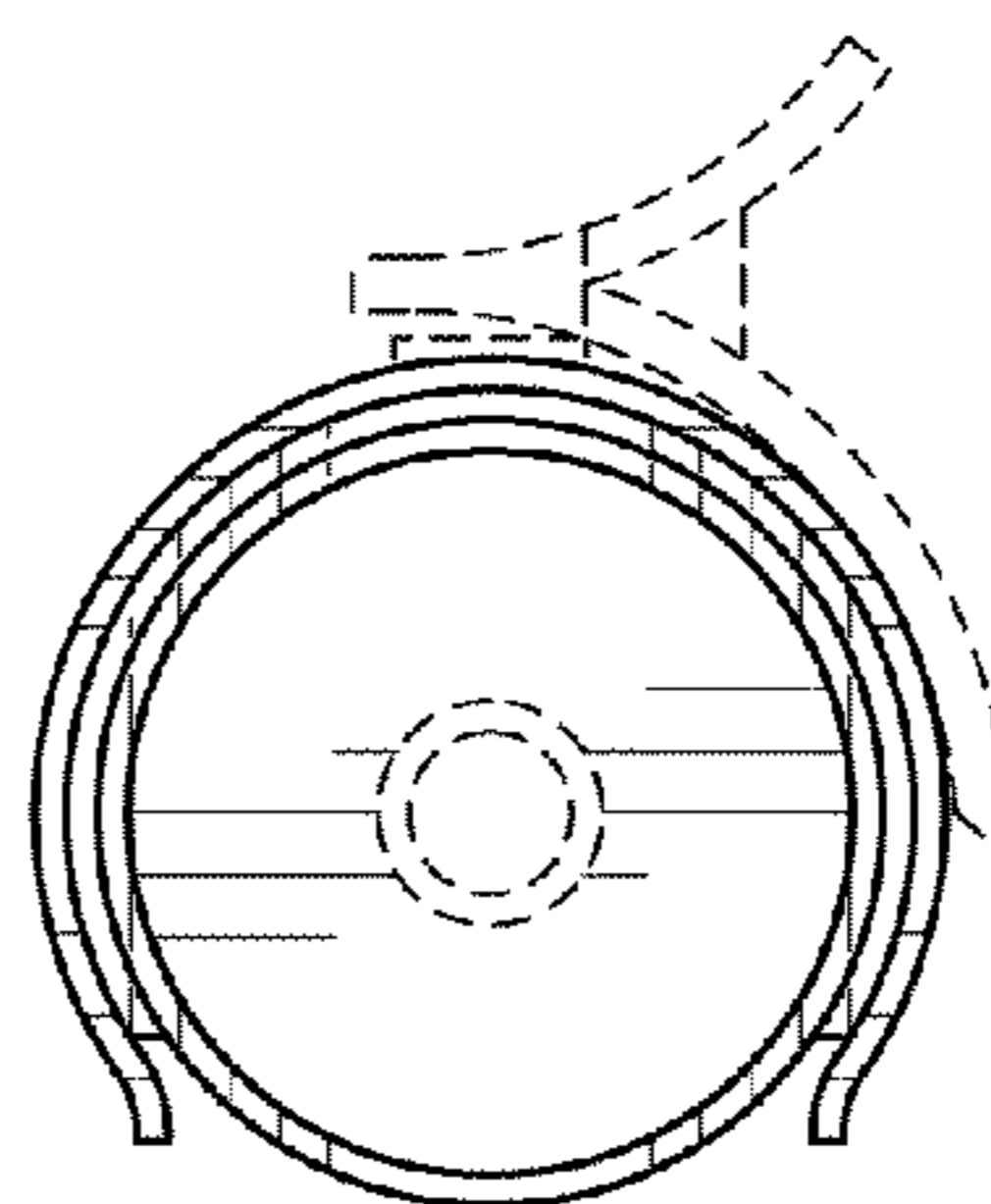


FIG. 8