



US00D743365S

(12) **United States Design Patent**
Iseki

(10) **Patent No.:** **US D743,365 S**
(45) **Date of Patent:** **** Nov. 17, 2015**

- (54) **DISPLAY**
- (71) Applicant: **Sony Corporation**, Tokyo (JP)
- (72) Inventor: **Daisuke Iseki**, Tokyo (JP)
- (73) Assignee: **Sony Corporation**, Tokyo (JP)
- (**) Term: **14 Years**
- (21) Appl. No.: **29/484,726**
- (22) Filed: **Mar. 12, 2014**
- (51) **LOC (10) Cl.** **14-03**
- (52) **U.S. Cl.**
USPC **D14/126**
- (58) **Field of Classification Search**
USPC D14/125–134, 239, 371, 374–377, 450,
D14/448, 336, 334, 314, 159; D6/300;
D8/323, 325; D10/15, 26; D16/241;
D21/329, 515, 577, 333, 331;
D25/136, 118, 156, 199; 312/7.2;
345/104, 156, 168, 87, 173, 690;
446/484, 175; 273/148 B;
248/917–924, 465; 348/836, 838, 180,
348/184, 325, 739
CPC H05K 5/0004; H05K 5/0017; H05K 5/02;
H05K 5/0216; G06F 1/1601; G06F 1/1643
See application file for complete search history.

(56) **References Cited**
U.S. PATENT DOCUMENTS

D474,162 S	5/2003	Kubota	
D556,745 S	12/2007	Katagiri et al.	
D570,804 S	6/2008	Fujiki	
D601,143 S	9/2009	Oikawa et al.	
D611,918 S *	3/2010	Shih et al.	D14/126
D615,513 S *	5/2010	Yamaguchi et al.	D14/126
D624,891 S *	10/2010	Ohba et al.	D14/126
D636,769 S *	4/2011	Wood et al.	D14/341
D642,149 S *	7/2011	Inoue et al.	D14/126
D642,150 S *	7/2011	Takami et al.	D14/126

D656,470 S *	3/2012	Kubota et al.	D14/126
D661,268 S *	6/2012	Itou et al.	D14/126
D666,565 S *	9/2012	Kumano et al.	D14/126
D675,583 S	2/2013	Kubota	
D680,087 S *	4/2013	Fujii et al.	D14/126
D681,576 S *	5/2013	Lee et al.	D14/126
D692,403 S *	10/2013	Takami et al.	D14/126
D695,243 S *	12/2013	Lewis	D14/126
D695,700 S *	12/2013	Seong	D14/126
D700,586 S *	3/2014	Kim et al.	D14/126
D709,044 S *	7/2014	Takami et al.	D14/126
D709,045 S *	7/2014	Itou et al.	D14/126
D709,844 S *	7/2014	Kim et al.	D14/126
D714,746 S *	10/2014	Euiseok et al.	D14/126
D715,237 S *	10/2014	Jang et al.	D14/126
D715,754 S *	10/2014	Jang et al.	D14/126
D718,731 S *	12/2014	Lee et al.	D14/126
D719,118 S *	12/2014	Kim et al.	D14/126
D722,579 S *	2/2015	Yagi	D14/126

(Continued)

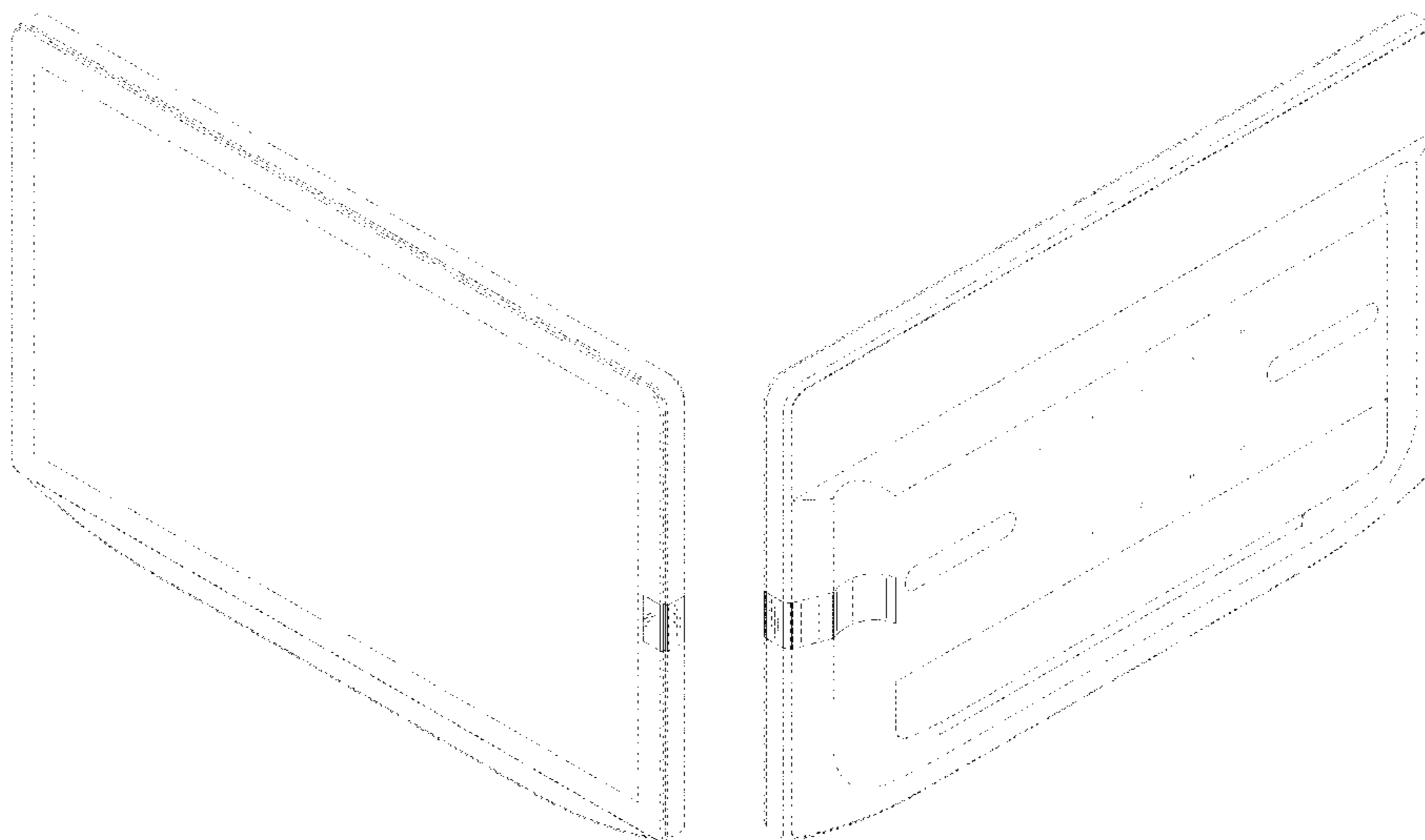
Primary Examiner — Eric Goodman
Assistant Examiner — Clese Moore, Jr.
(74) *Attorney, Agent, or Firm* — Michael Best & Friedrich LLP

(57) **CLAIM**
The ornamental design for a display, as shown and described.

DESCRIPTION

FIG. 1 is a front, top, right perspective view of a display showing my new design;
FIG. 2 is a rear, top, right perspective view thereof;
FIG. 3 is a front elevational view thereof;
FIG. 4 is a rear elevational view thereof;
FIG. 5 is a right side elevational view thereof; and,
FIG. 6 is a cross sectional view thereof along the lines 6-6 and 6'-6' of FIG. 4.
The broken lines shown in the drawings illustrate portions of the display that form no part of the claimed design. The dot-dash broken lines which define the bounds of the claimed design form no part thereof.

1 Claim, 5 Drawing Sheets



US D743,365 S

Page 2

(56)

References Cited

U.S. PATENT DOCUMENTS

D722,986 S * 2/2015 Zwier et al. D14/126
D722,988 S * 2/2015 Kim et al. D14/126
D723,482 S * 3/2015 Kim et al. D14/126

D725,060 S * 3/2015 Lam et al. D14/126
D725,615 S * 3/2015 Go et al. D14/126
D725,617 S * 3/2015 Choi D14/126

* cited by examiner

FIG. 1

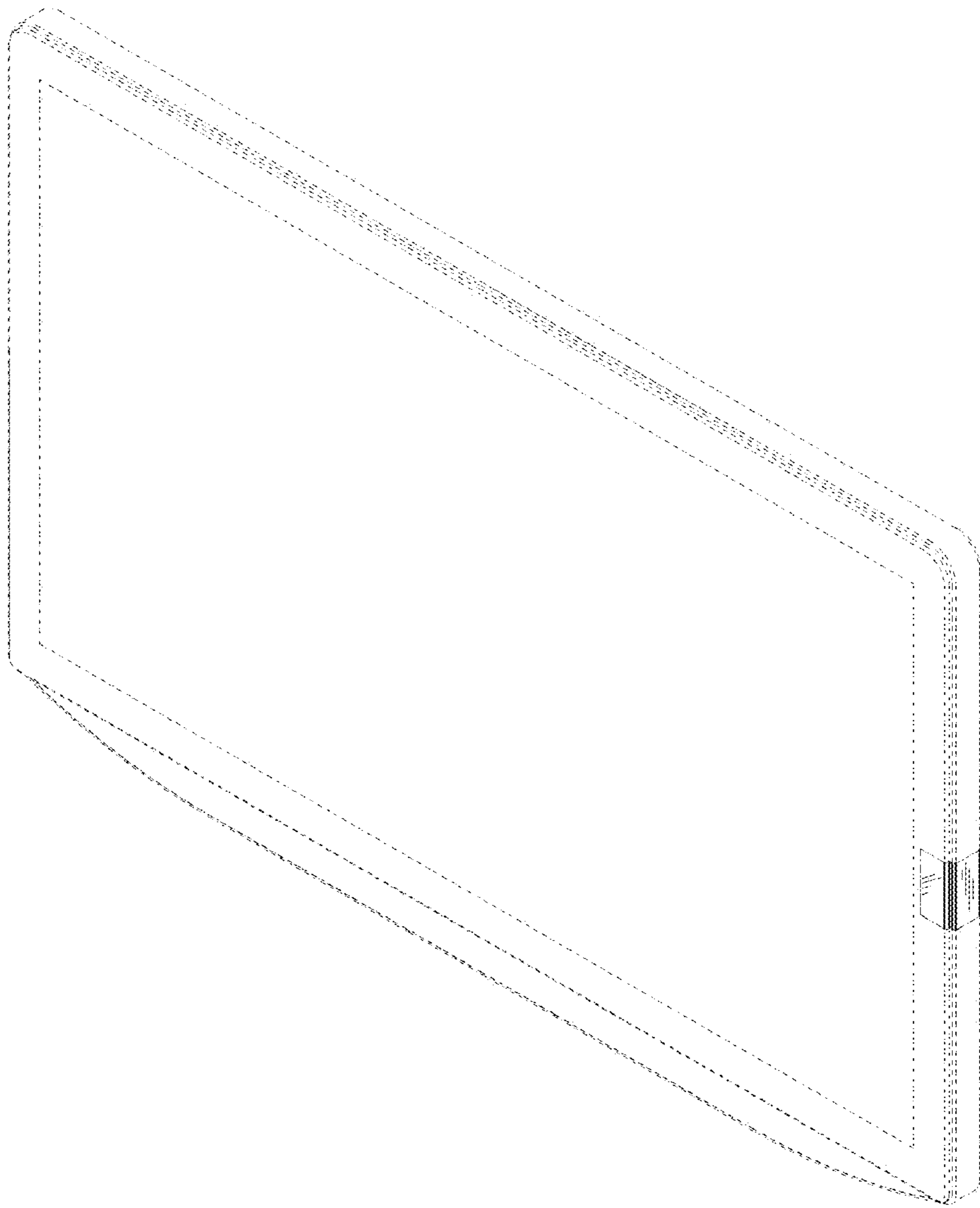


FIG.2

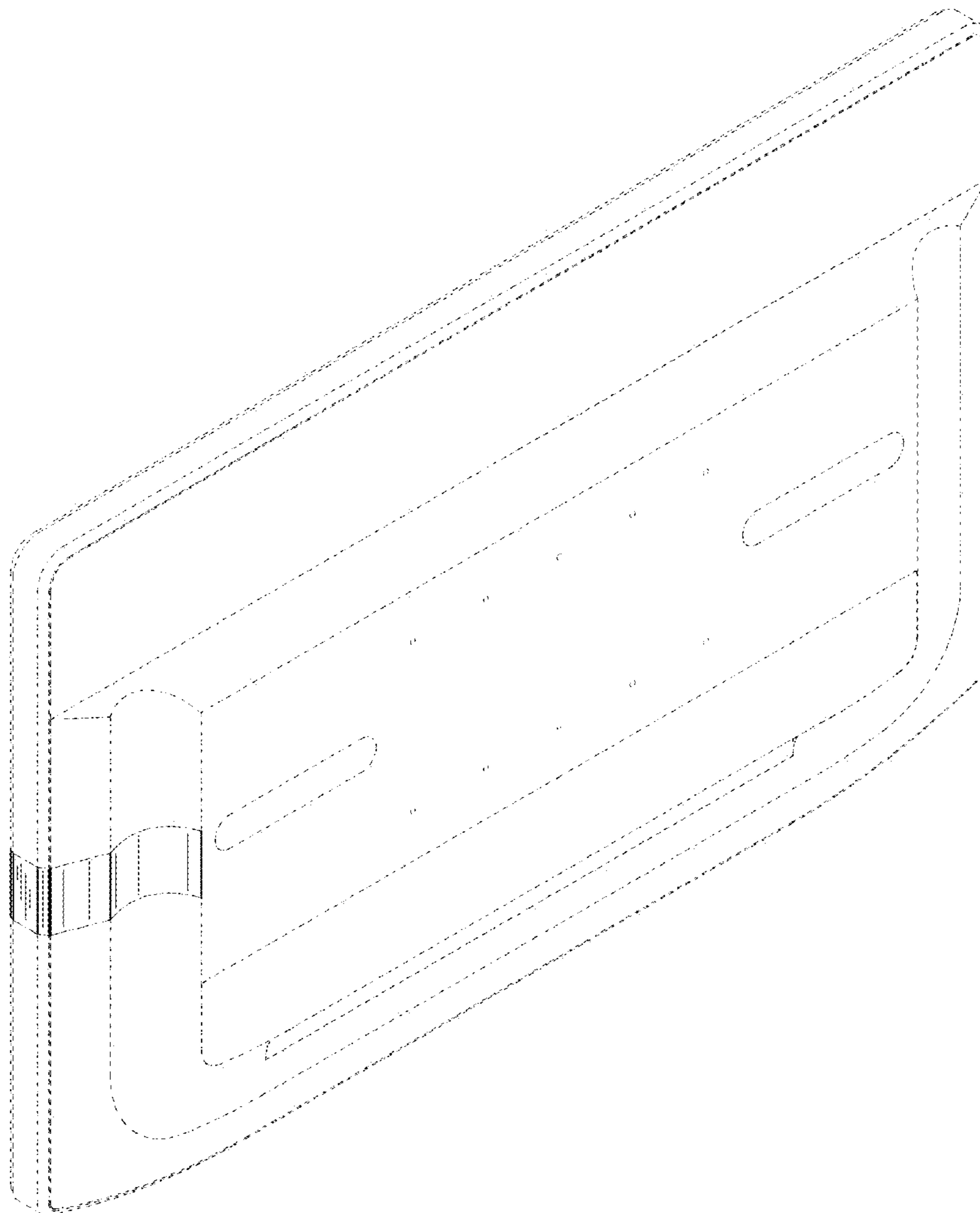
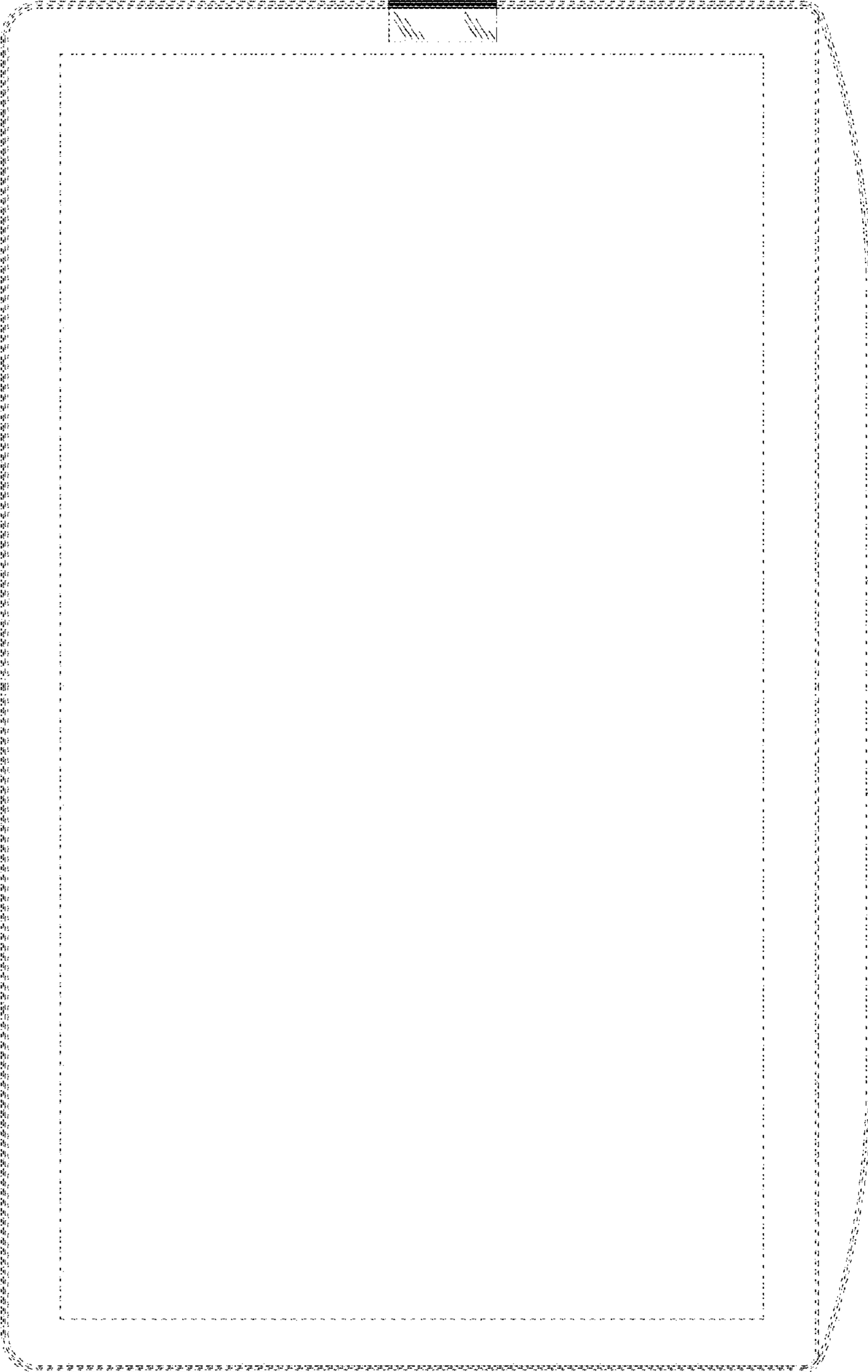


FIG.3



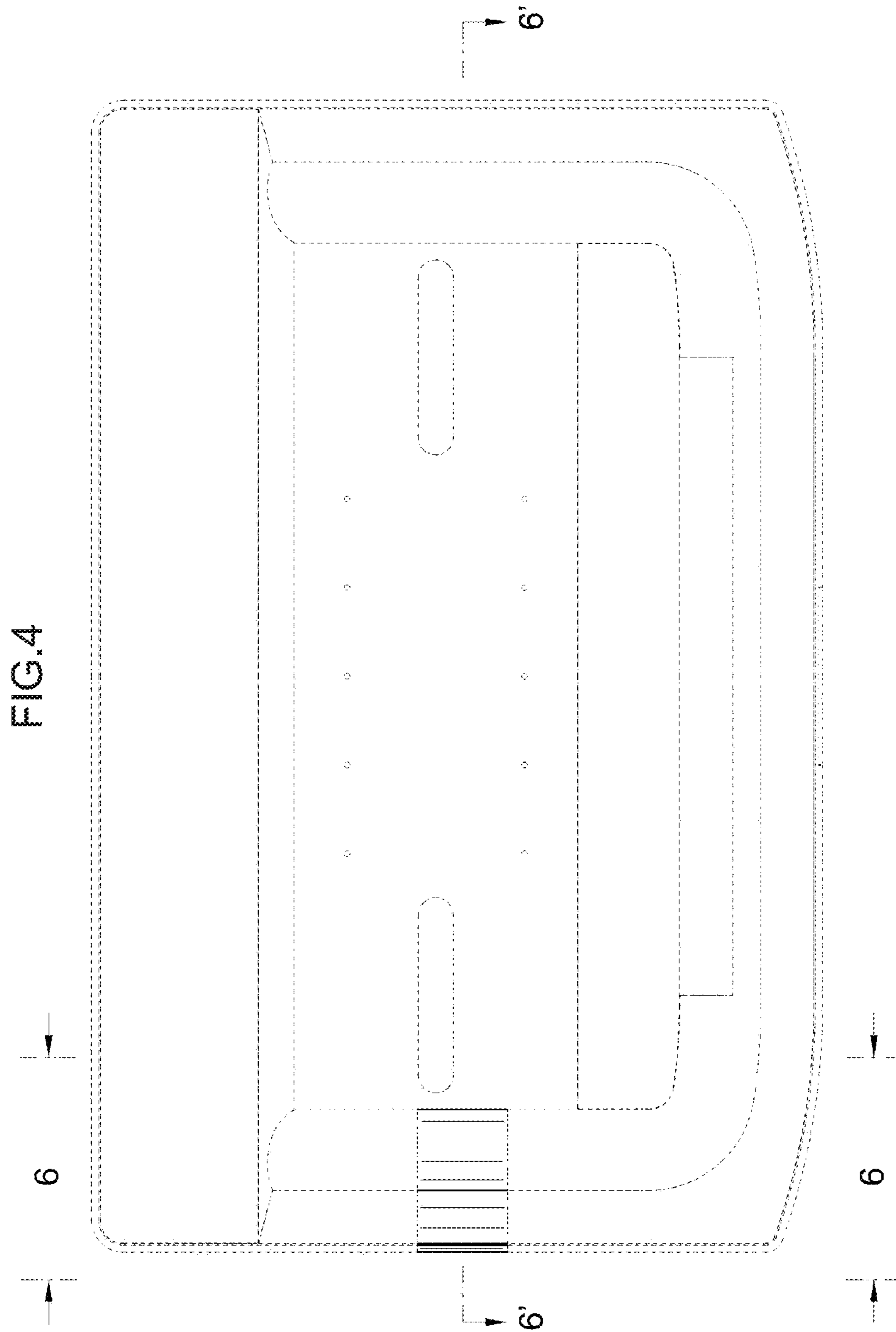


FIG.5

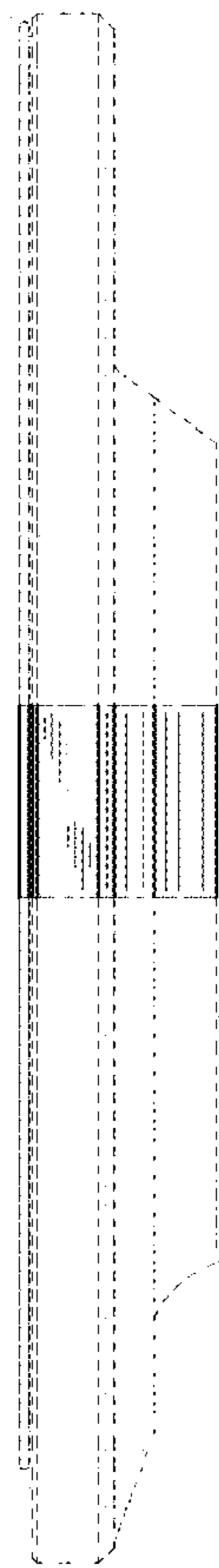


FIG.6

