



US00D743362S

(12) **United States Design Patent**
Kim et al.

(10) **Patent No.:** **US D743,362 S**
(45) **Date of Patent:** **** Nov. 17, 2015**

(54) **TELEVISION RECEIVER**

(71) Applicant: **LG Electronics Inc.**, Seoul (KR)
(72) Inventors: **Taeho Kim**, Seoul (KR); **Namhun Kim**, Gyeonggi-do (KR); **Yoonkyeong Lee**, Seoul (KR); **Junki Kim**, Seoul (KR); **Ilsu Yoon**, Seoul (KR); **Dongwon Choi**, Seoul (KR); **Kyoyoon Koo**, Seoul (KR)

(73) Assignee: **LG Electronics Inc.**, Seoul (KR)

(**) Term: **14 Years**

(21) Appl. No.: **29/460,725**

(22) Filed: **Jul. 15, 2013**

(30) **Foreign Application Priority Data**

Jan. 15, 2013 (KR) 30-2013-0002442

(51) **LOC (10) Cl.** **14-03**

(52) **U.S. Cl.**
USPC **D14/126**

(58) **Field of Classification Search**
USPC D14/125-134, 239, 371, 136, 374-377, D14/440, 450, 448, 336, 342, 159; 312/7.2; 348/836, 838, 180, 184, 325, 739; 248/917-924, 465; 345/104, 133, 156, 345/168, 87, 173; D21/329, 515, 577, 622, D21/333, 433, 448, 452, 450, 331, 505; D10/15, 26; 446/484, 175, 356; D6/477, 479, 300; D24/185; D34/14
CPC ... G06F 1/1601; G06F 1/1643; H05K 5/0004; H05K 5/0017; H05K 5/02; H05K 5/0217
See application file for complete search history.

(56) **References Cited**

U.S. PATENT DOCUMENTS

D598,405 S	8/2009	Kuramashi	
D630,210 S	1/2011	Andre et al.	
D638,013 S	5/2011	Andre et al.	
D656,473 S *	3/2012	Laube et al.	D14/126
D661,671 S *	6/2012	Laube et al.	D14/126
D670,692 S	11/2012	Akana et al.	
D671,938 S	12/2012	Hsu et al.	

(Continued)

FOREIGN PATENT DOCUMENTS

JP	D1190838 S	11/2003
JP	D1391282 S	6/2010

(Continued)

OTHER PUBLICATIONS

European Community Design 000890702-0001, television sets, Apr. 4, 2008, pp. 1-3.

(Continued)

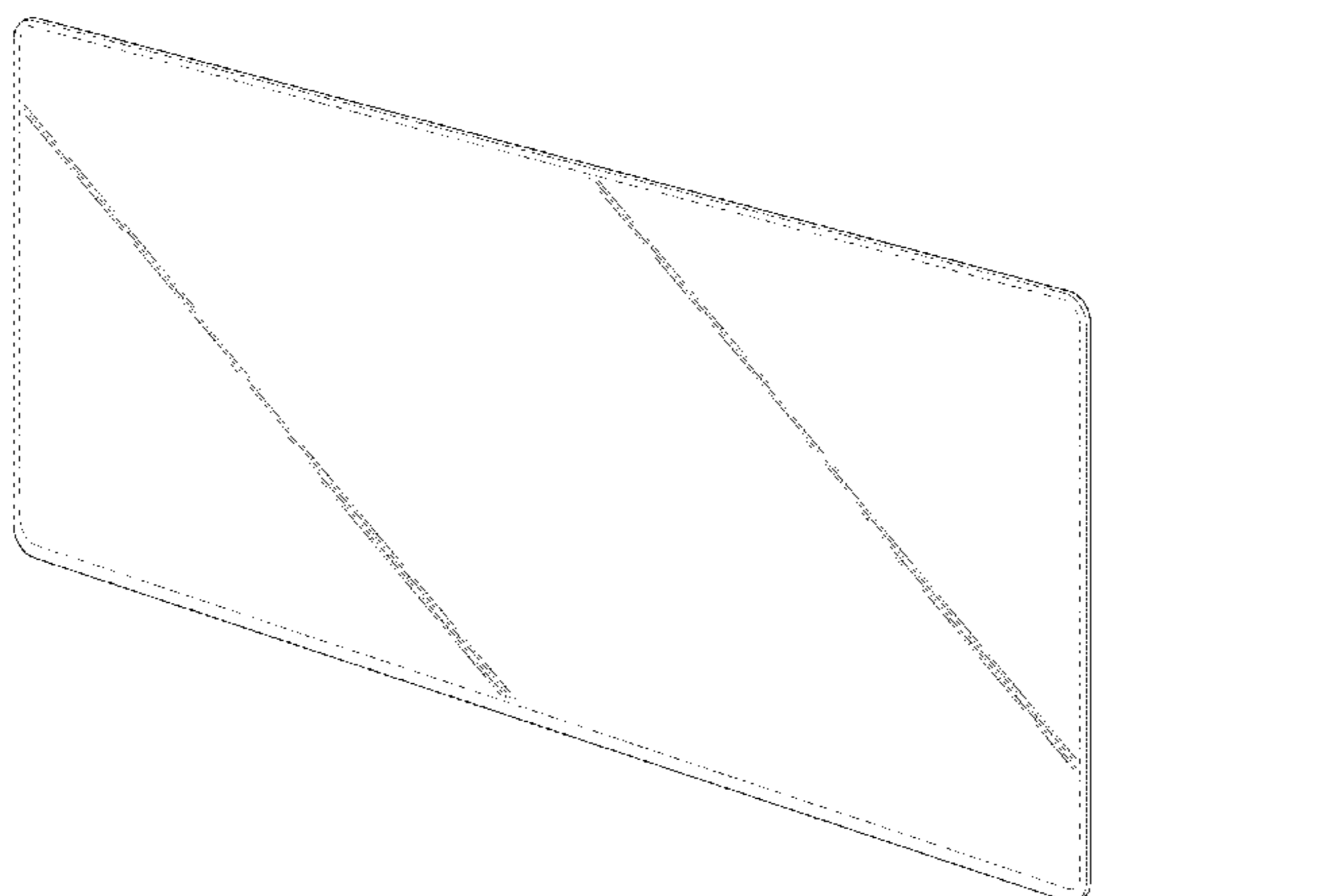
Primary Examiner — Raphael Barkai
(74) *Attorney, Agent, or Firm* — Morgan, Lewis & Bockius LLP

(57) **CLAIM**
The ornamental design for a television receiver, as shown and described.

DESCRIPTION

FIG. 1 is a perspective view of a television receiver showing our new design;
FIG. 2 is a front view thereof;
FIG. 3 is a rear view thereof;
FIG. 4 is a left side view thereof where the right side view is a mirror image;
FIG. 5 is a top plan view thereof where the bottom plan view is a mirror image; and,
FIG. 6 is a rear perspective view thereof.
The broken lines are for illustrative purposes only and form no part of the claimed design.

1 Claim, 6 Drawing Sheets



(56)

References Cited

OTHER PUBLICATIONS

U.S. PATENT DOCUMENTS

D699,695 S * 2/2014 Kim et al. D14/126
D699,696 S * 2/2014 Kim et al. D14/126
D716,243 S * 10/2014 Kim et al. D14/126
D723,485 S * 3/2015 Hwangbo et al. D14/126

FOREIGN PATENT DOCUMENTS

JP D1391859 S 7/2010
KR 30-0656098 8/2012
KR 30-0673953 12/2012

European Community Design 0001003412-0001, television receivers, Oct. 17, 2008, p. 1.
European Community Design 001802752-0001, monitors, Jan. 12, 2011, pp. 1-2.
European Community Design 002134551-0001, fake television sets, Nov. 30, 2012, pp. 1-2.
European Community Design 001750100-001, television receivers, Jul. 12, 2011, pp. 1-2.

* cited by examiner

FIG. 1

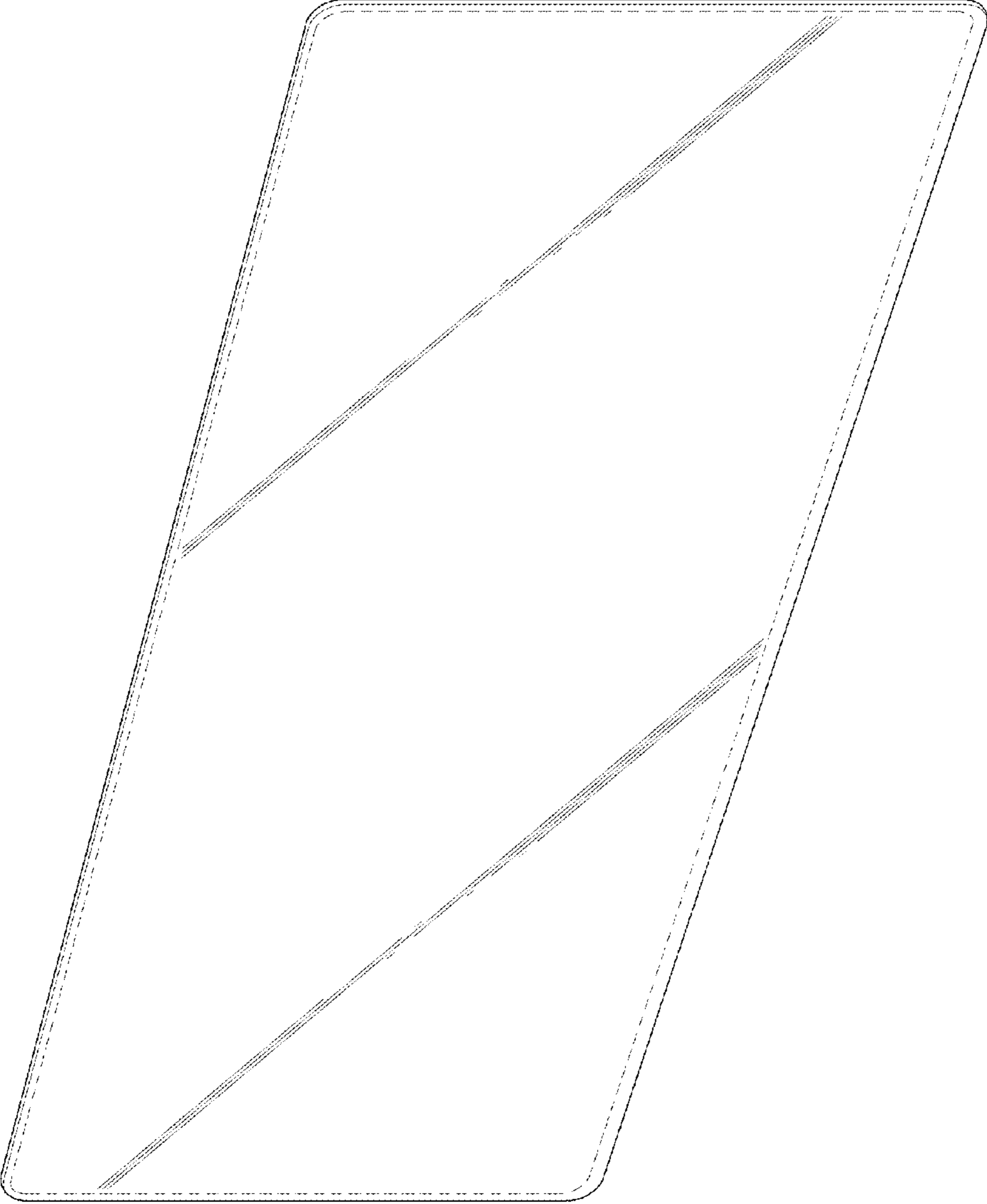


FIG. 2

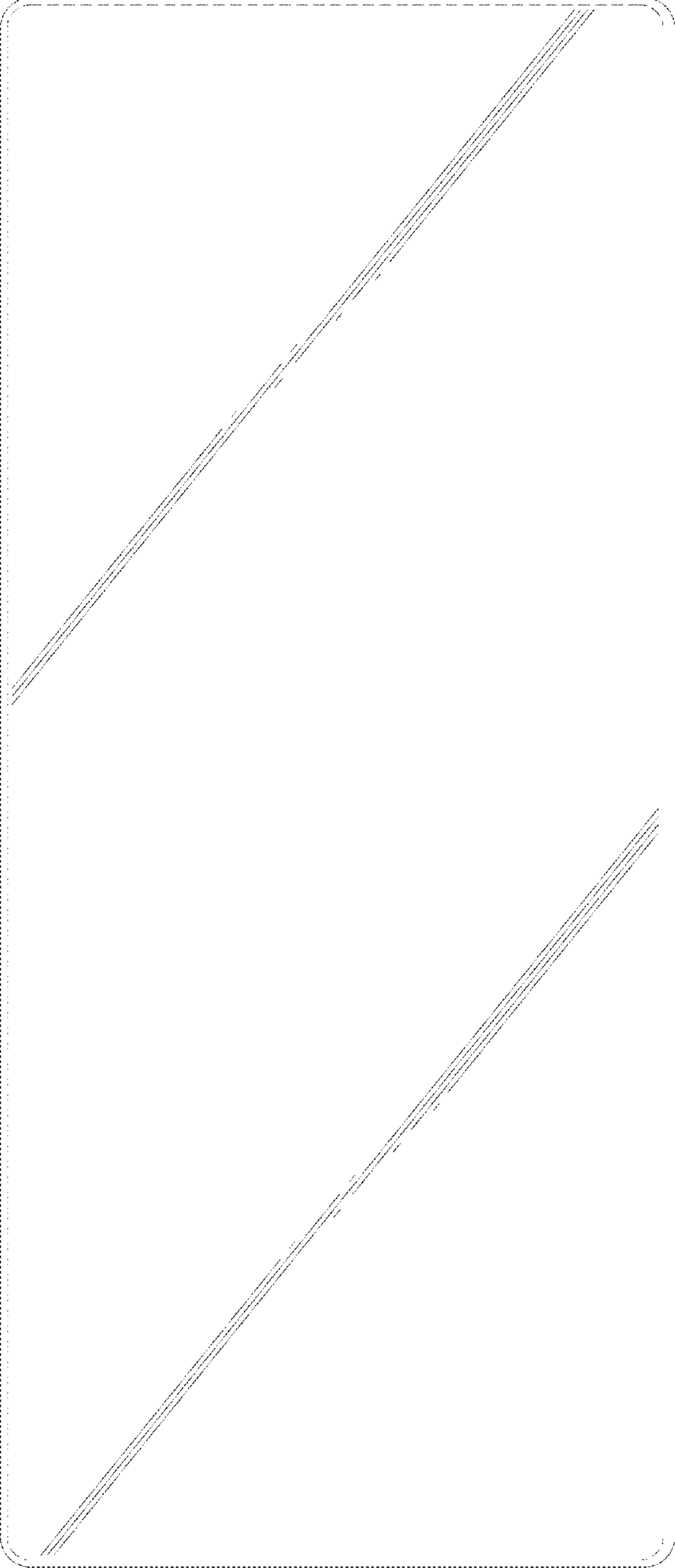


FIG. 3

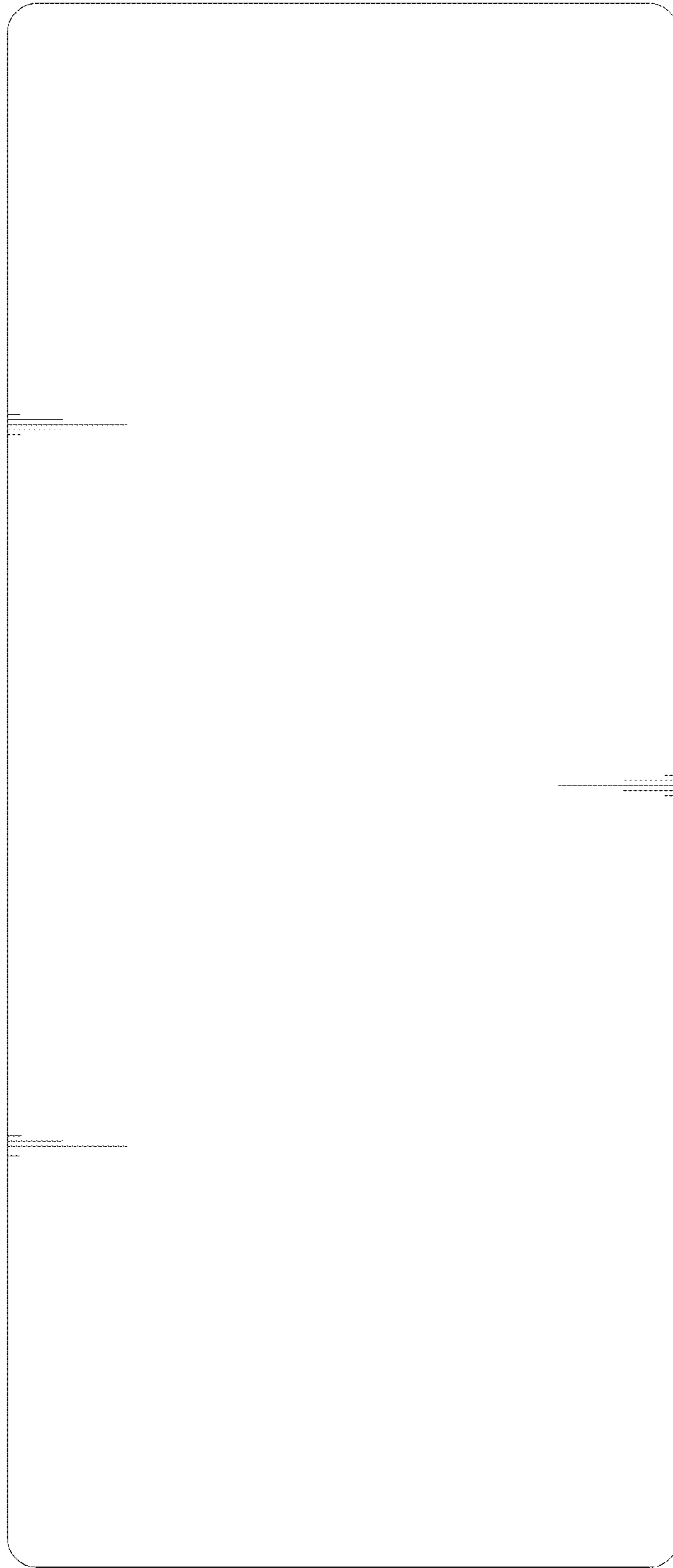


FIG. 4

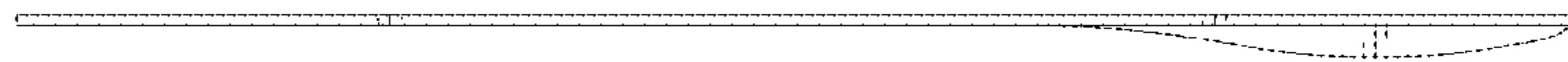


FIG. 5

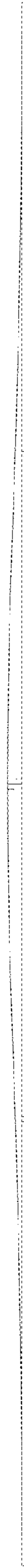


FIG. 6

