



US00D743361S

(12) **United States Design Patent**
Hwangbo et al.

(10) **Patent No.:** **US D743,361 S**
(45) **Date of Patent:** **** Nov. 17, 2015**

- (54) **TELEVISION RECEIVER**
- (71) Applicant: **LG Electronics Inc.**, Seoul (KR)
- (72) Inventors: **Deung Hwangbo**, Seoul (KR);
Kyongtae Han, Gyeonggi-do (KR);
Hyeonsuk Oh, Seoul (KR)
- (73) Assignee: **LG Electronics Inc.**, Seoul (KR)
- (**) Term: **14 Years**
- (21) Appl. No.: **29/460,453**
- (22) Filed: **Jul. 11, 2013**
- (30) **Foreign Application Priority Data**
Jan. 11, 2013 (KR) 30-2013-0001900
- (51) **LOC (10) Cl.** **14-03**
- (52) **U.S. Cl.**
USPC **D14/126**
- (58) **Field of Classification Search**
USPC D14/125-134, 239, 371, 136, 374-377,
D14/440, 450, 448, 336, 342, 159; 312/7.2;
348/836, 838, 180, 184, 325, 739;
248/917-924, 465; 345/104, 133, 156,
345/168, 87, 173; D21/329, 515, 577, 622,
D21/333, 433, 448, 452, 450, 331, 505;
D10/15, 26; 446/484, 175, 356;
D6/477, 479, 300; D24/185; D34/14
CPC ... G06F 1/1601; G06F 1/1643; H05K 5/0004;
H05K 5/0017; H05K 5/02; H05K 5/0217
See application file for complete search history.

- (56) **References Cited**
U.S. PATENT DOCUMENTS
D571,320 S * 6/2008 Kita D14/126
D664,513 S * 7/2012 Laube et al. D14/126

D674,762 S *	1/2013	Lee et al.	D14/126
D699,695 S *	2/2014	Kim et al.	D14/126
D699,696 S *	2/2014	Kim et al.	D14/126
D699,698 S *	2/2014	Jeon et al.	D14/126
D712,856 S *	9/2014	Thompson et al.	D14/126
D716,243 S *	10/2014	Kim et al.	D14/126
D719,118 S *	12/2014	Kim et al.	D14/126
D719,538 S *	12/2014	Lee et al.	D14/126
D723,485 S *	3/2015	Hwangbo et al.	D14/126

* cited by examiner

Primary Examiner — Raphael Barkai
(74) *Attorney, Agent, or Firm* — Morgan, Lewis & Bockius LLP

(57) **CLAIM**
The ornamental design for a television receiver, as shown and described.

DESCRIPTION
FIG. 1 is a perspective view of a television receiver showing our new design;
FIG. 2 is a front view thereof;
FIG. 3 is a rear view thereof;
FIG. 4 is a left side view thereof;
FIG. 5 is a right side view thereof;
FIG. 6 is a top plan view thereof;
FIG. 7 is a bottom plan view thereof;
FIG. 8 is a rear perspective view thereof;
FIG. 9 is an enlarged view taken along line 1-1'/2-2'/3-3'/4-4' of FIG. 4; and,
FIG. 10 is an enlarged view taken along line 5-5'/6-6'/7-7'/8-8' of FIG. 8.
The dashed broken lines are for illustrative purposes only and form no part of the claimed design. The dash-dot broken lines define the bounds of the claimed design and form no part thereof.

1 Claim, 10 Drawing Sheets

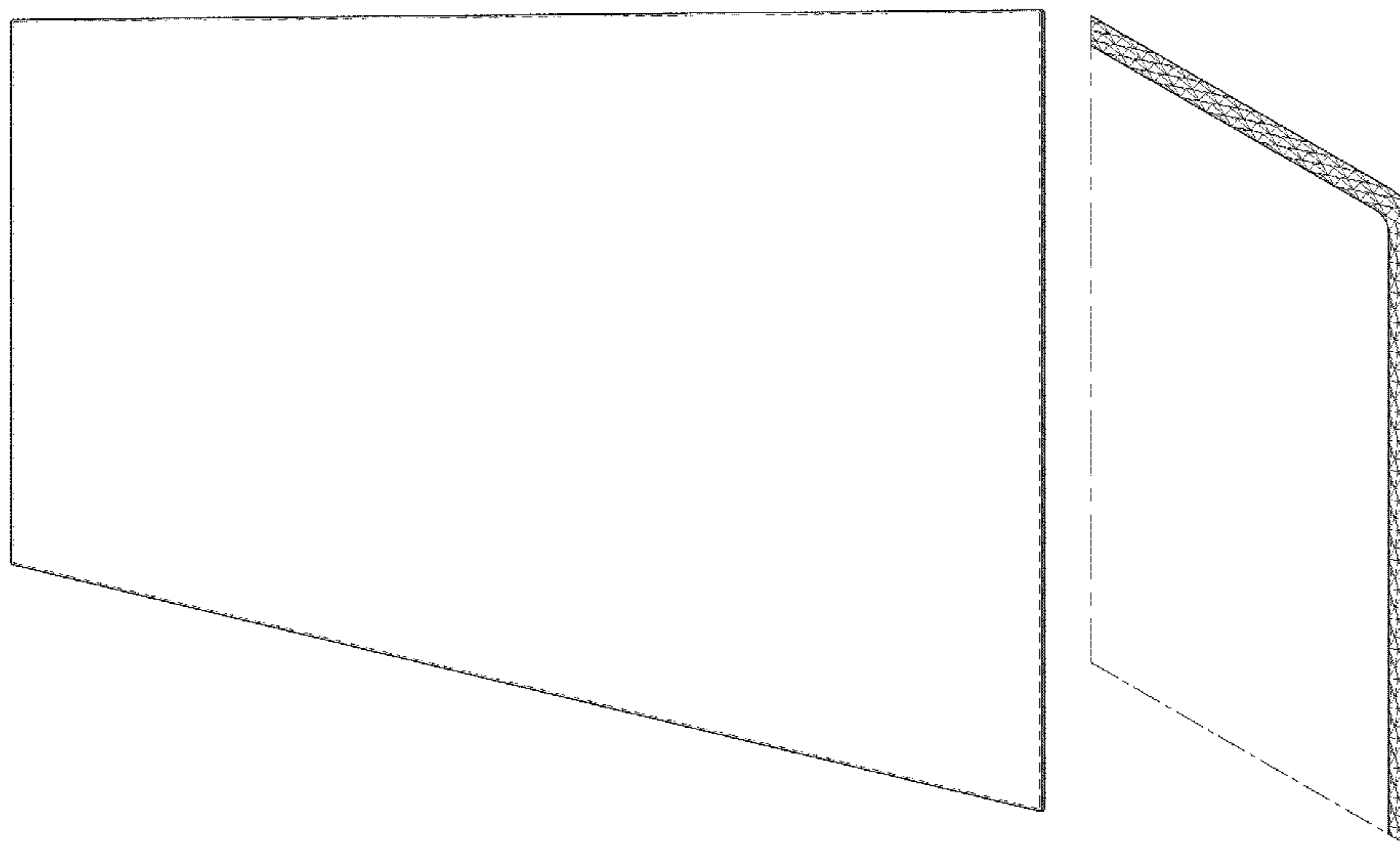


FIG. 1

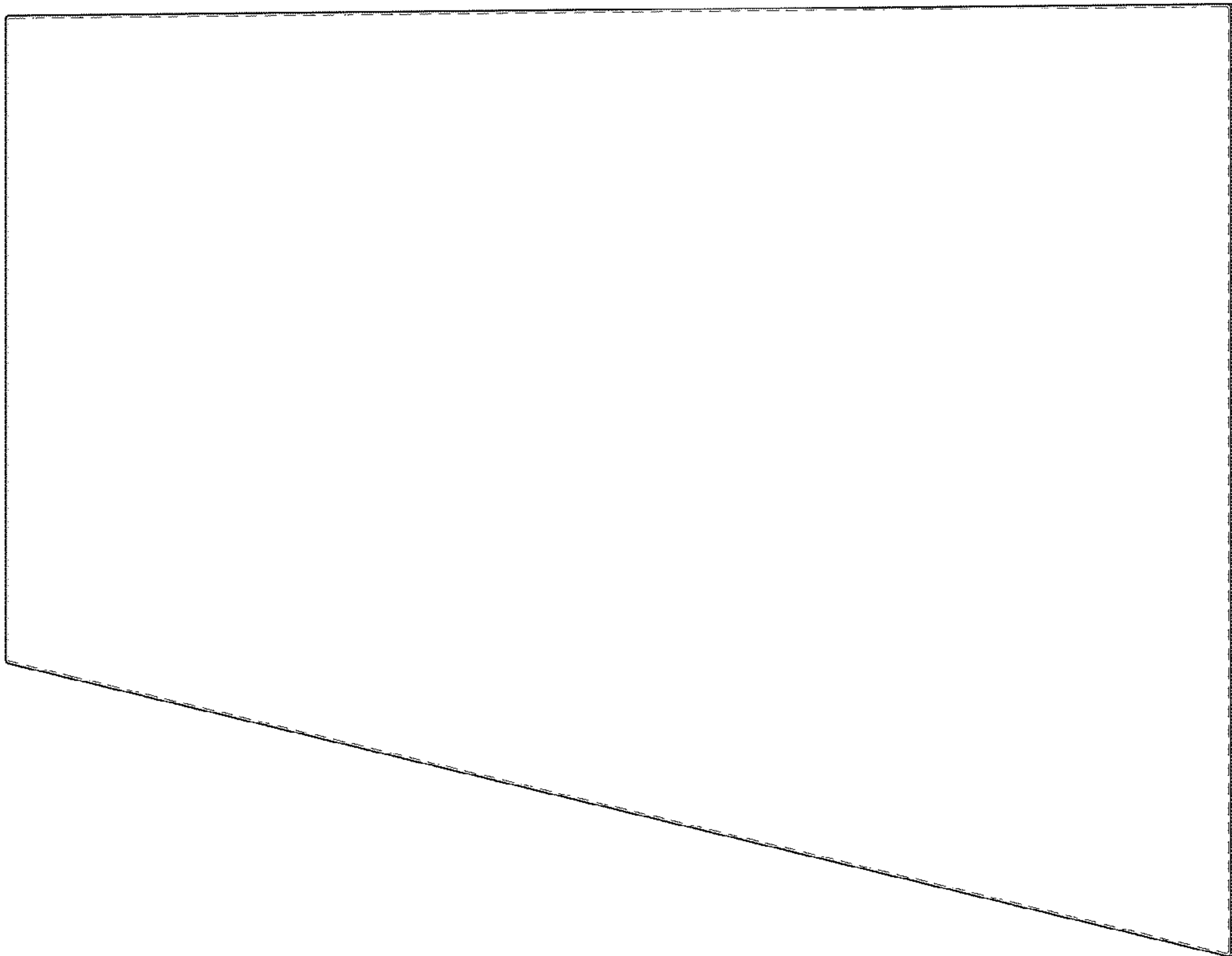


FIG. 2



FIG. 3

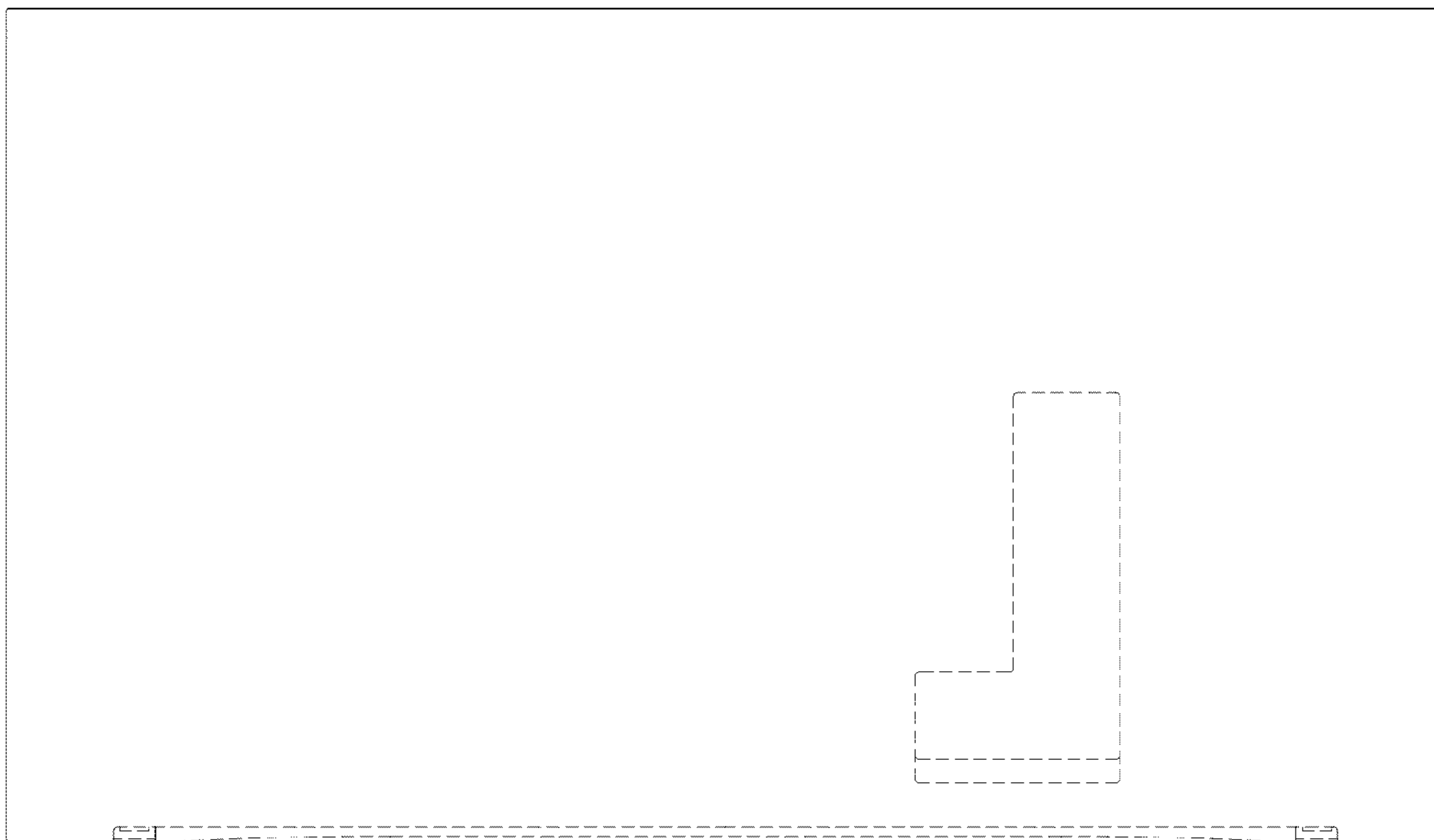


FIG. 4

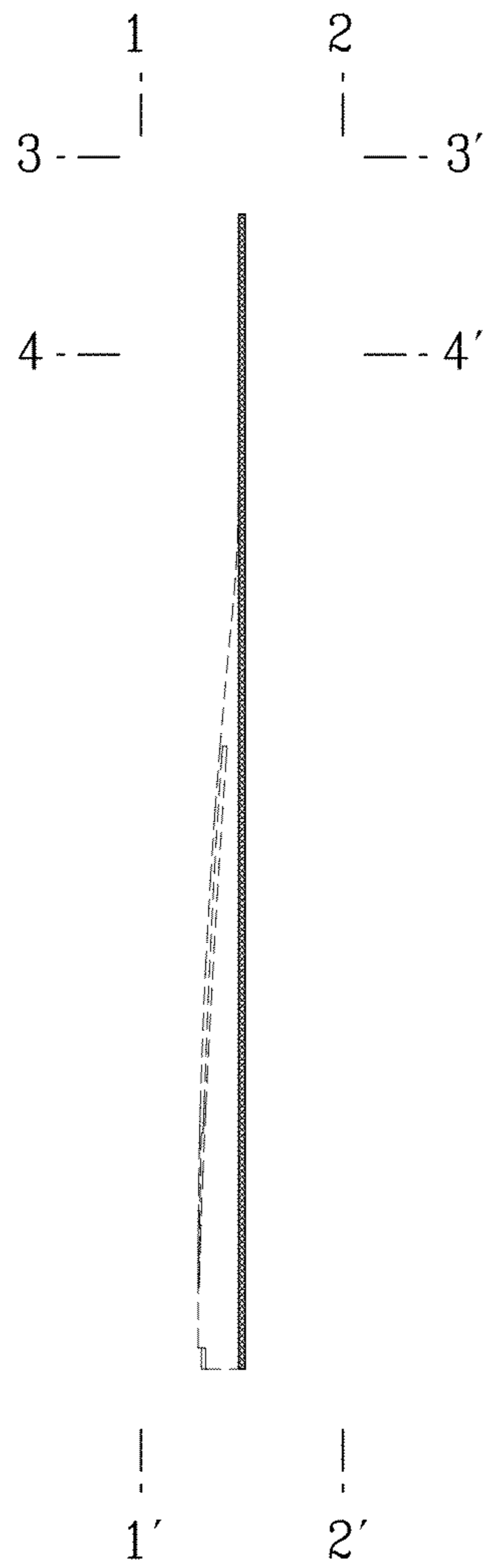


FIG. 5



FIG. 6

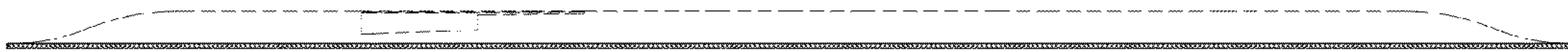


FIG. 7

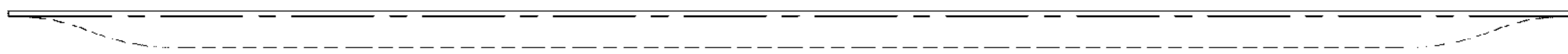


FIG. 8

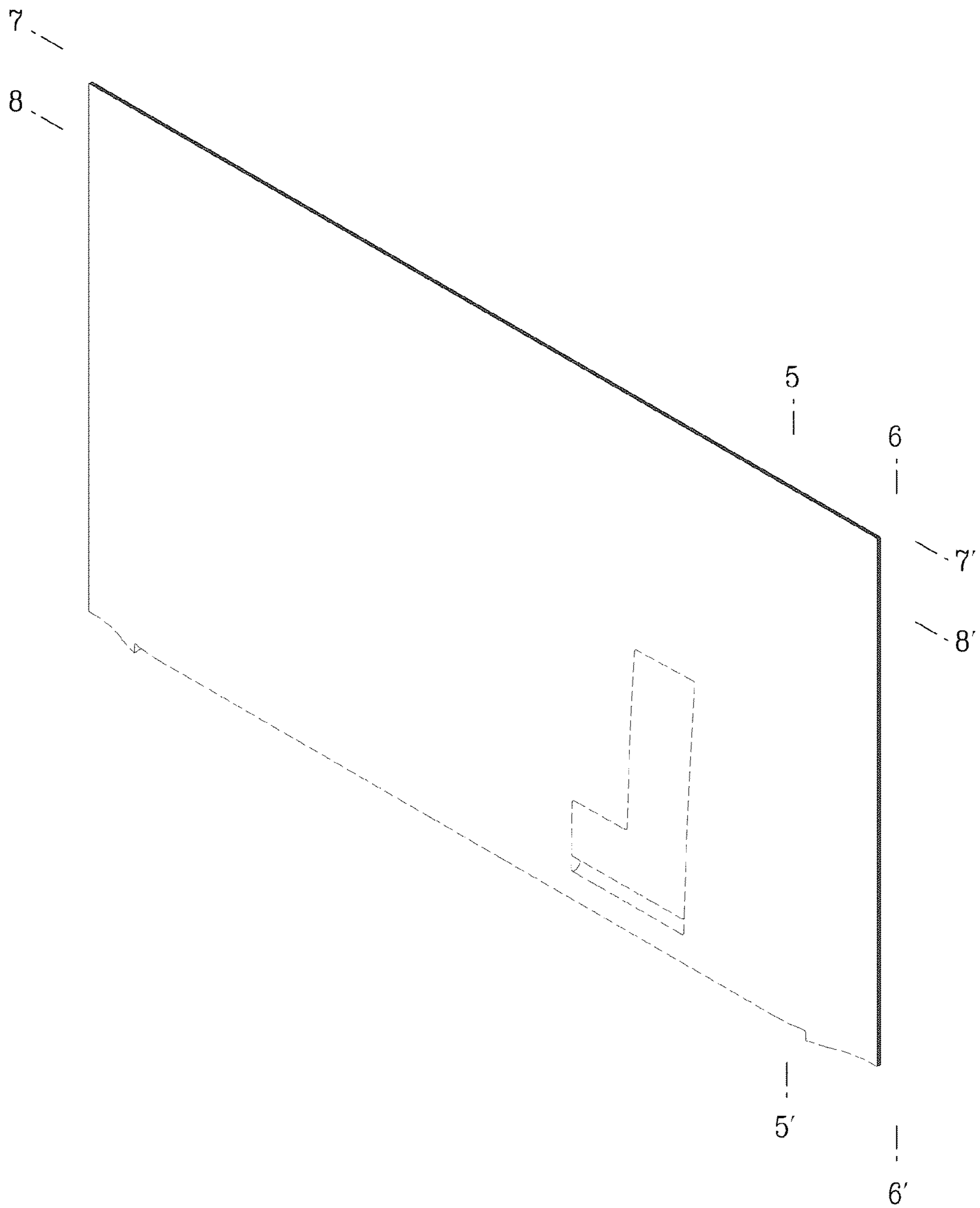


FIG. 9



FIG. 10

