



US00D743355S

(12) **United States Design Patent**  
**Wang et al.**

(10) **Patent No.:** **US D743,355 S**

(45) **Date of Patent:** **\*\* Nov. 17, 2015**

(54) **LIGHT-EMITTING DIODE UNIT**

(71) Applicant: **EPISTAR CORPORATION**, Hsinchu (TW)

(72) Inventors: **Hsin-Ying Wang**, Hsinchu (TW);  
**Chien-Kai Chung**, Hsinchu (TW);  
**Yu-Ting Huang**, Hsinchu (TW);  
**Tsun-Kai Ko**, Hsinchu (TW)

(73) Assignee: **EPISTAR CORPORATION**, Hsinchu (TW)

(\*\*) Term: **14 Years**

(21) Appl. No.: **29/497,212**

(22) Filed: **Jul. 22, 2014**

(51) **LOC (10) Cl.** ..... **13-03**

(52) **U.S. Cl.**  
USPC ..... **D13/180**

(58) **Field of Classification Search**

USPC ..... D13/180; D26/1  
CPC ... H01L 25/167; H01L 25/0753; H01L 27/15;  
H01L 27/156; H01L 31/02; H01L 33/00;  
H01L 33/04; H01L 33/08; H01L 33/10;  
H01L 33/20; H01L 33/38; H01L 33/42;  
H01L 33/48; H01L 33/483; H01L 33/486  
See application file for complete search history.

(56) **References Cited**

**U.S. PATENT DOCUMENTS**

7,795,610 B2 \* 9/2010 Kim et al. .... 257/35  
D644,188 S \* 8/2011 Shen et al. .... D13/180  
8,076,688 B2 \* 12/2011 Kim et al. .... 257/98  
8,188,493 B2 \* 5/2012 Li et al. .... 257/91

D674,356 S \* 1/2013 Inoue et al. .... D13/180  
8,378,373 B2 \* 2/2013 Wang et al. .... 257/99  
D681,567 S \* 5/2013 Wang et al. .... D13/180  
D681,570 S \* 5/2013 Wang et al. .... D13/180  
8,466,487 B2 \* 6/2013 Emura ..... 257/99  
D687,396 S \* 8/2013 Chen et al. .... D13/180  
8,525,212 B2 \* 9/2013 Kim et al. .... 257/99  
8,541,806 B2 \* 9/2013 Kim et al. .... 257/99  
8,680,559 B2 \* 3/2014 Kim et al. .... 257/99  
8,872,204 B2 \* 10/2014 Yang et al. .... 257/98  
9,070,834 B2 \* 6/2015 Kim et al. .... 1/1  
2008/0210972 A1 \* 9/2008 Ko et al. .... 257/99

\* cited by examiner

*Primary Examiner* — Selina Sikder

(74) *Attorney, Agent, or Firm* — Muncy, Geissler, Olds & Lowe, P.C.

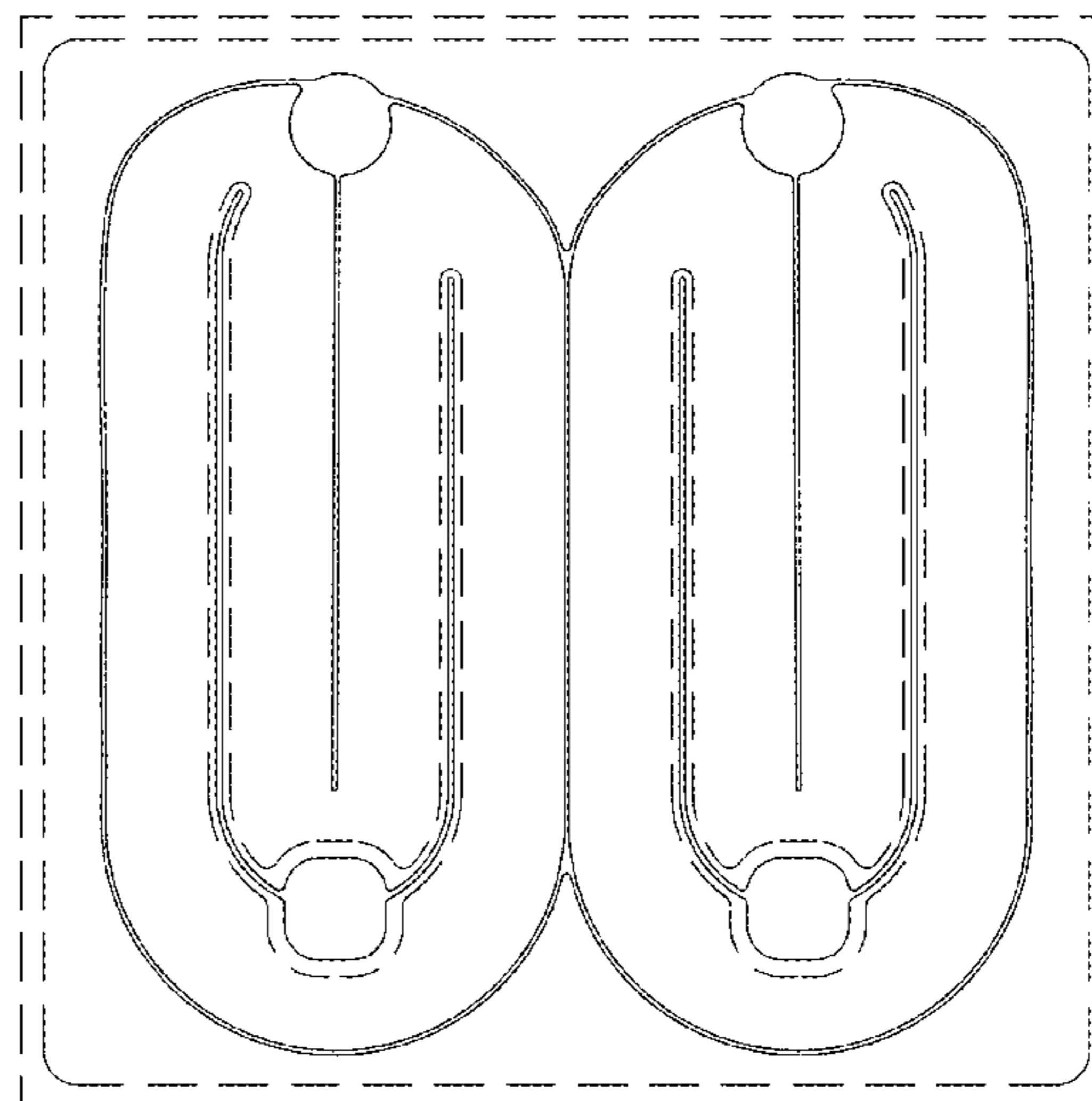
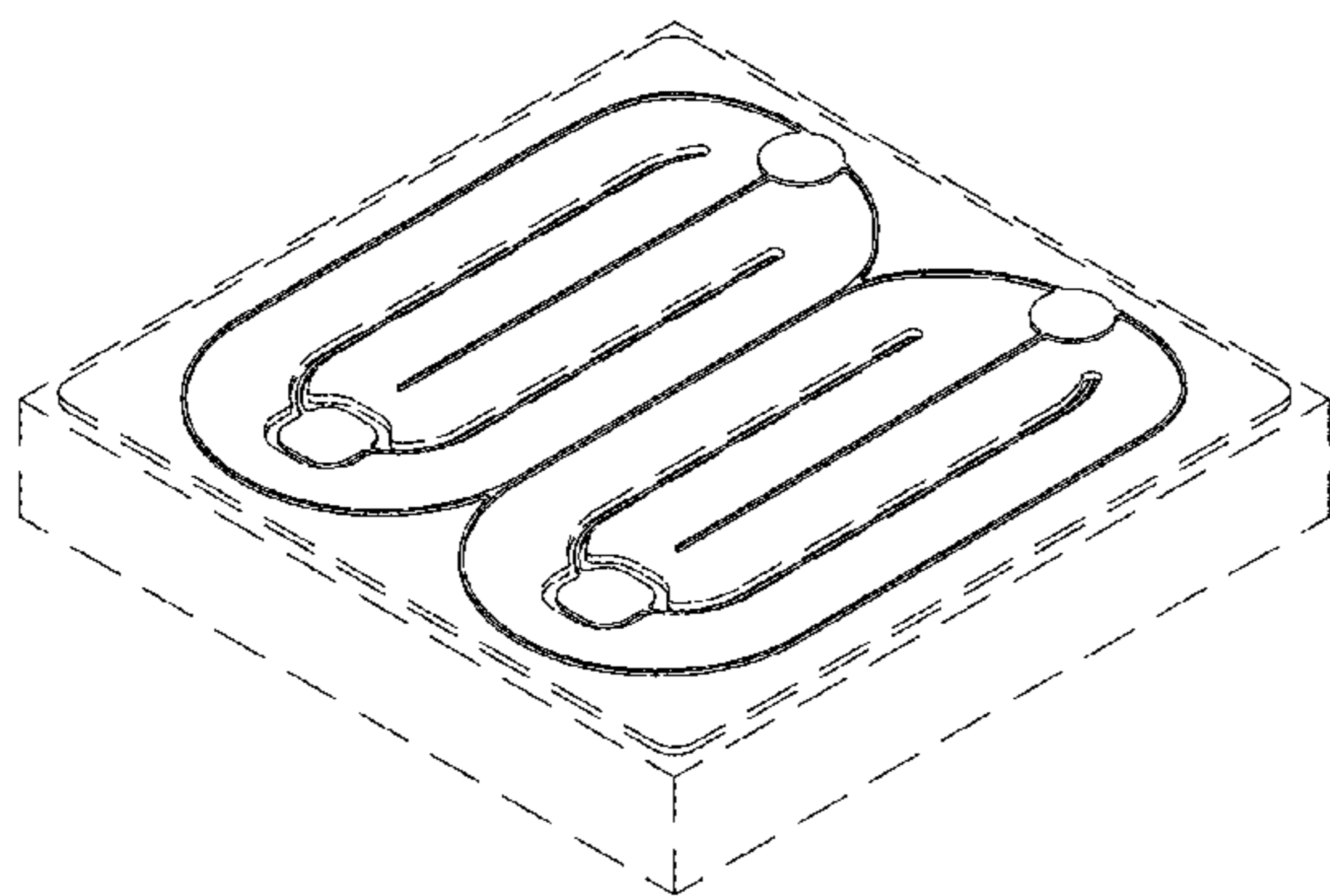
(57) **CLAIM**

The ornamental design for a light-emitting diode unit, as shown and described.

**DESCRIPTION**

FIG. 1 is a perspective view of a light-emitting diode unit showing our new design;  
FIG. 2 is another perspective view thereof;  
FIG. 3 is a front elevational view thereof;  
FIG. 4 is a rear elevational view thereof;  
FIG. 5 is a left side view thereof;  
FIG. 6 is a right side view thereof;  
FIG. 7 is a top plan view thereof with the light-emitting diode unit being inverted; and,  
FIG. 8 is a bottom plan view thereof.  
The broken line showing is for the purpose of illustrating environmental structure only and forms no part of the claimed design.

**1 Claim, 6 Drawing Sheets**



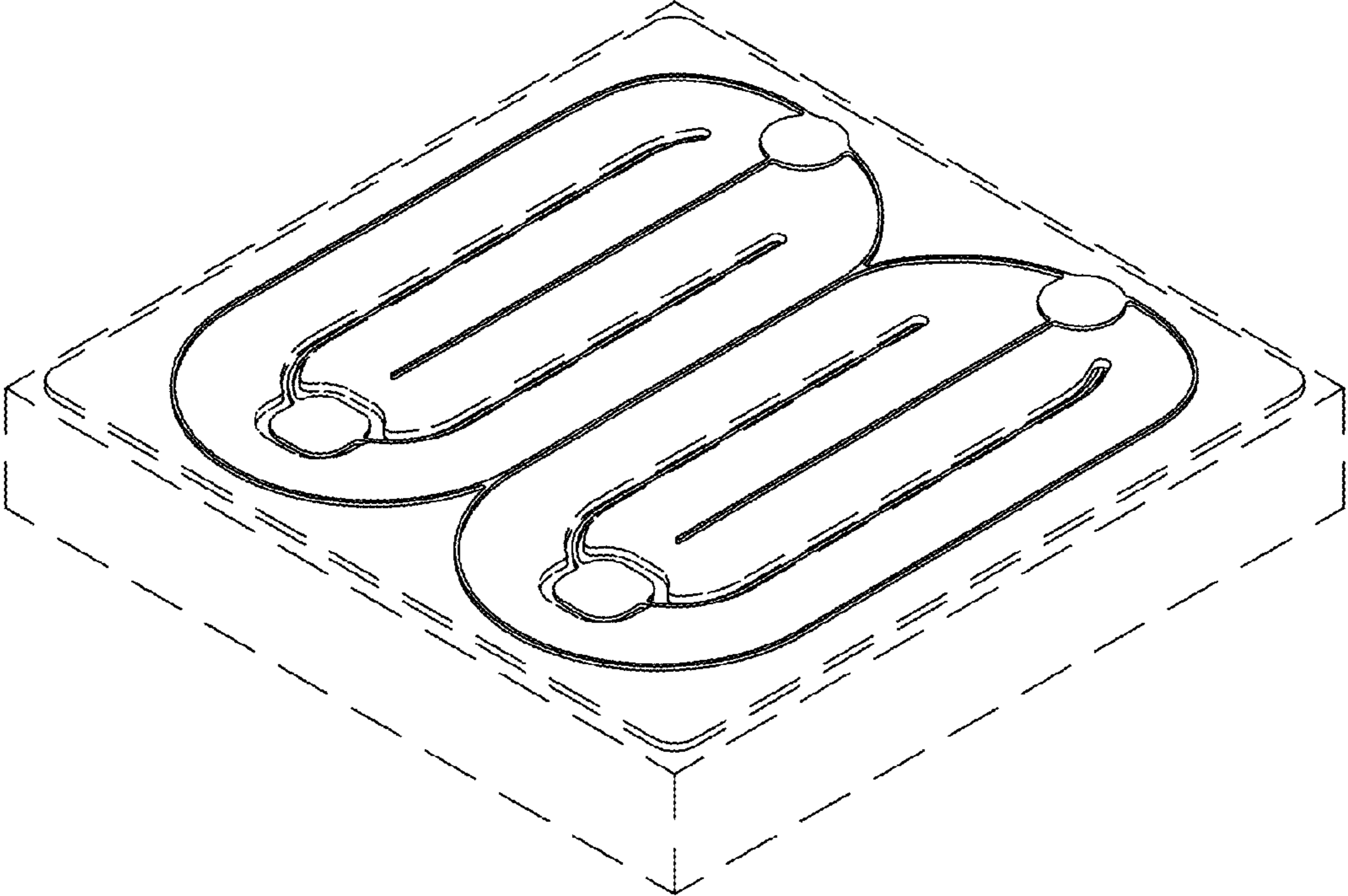


FIG. 1

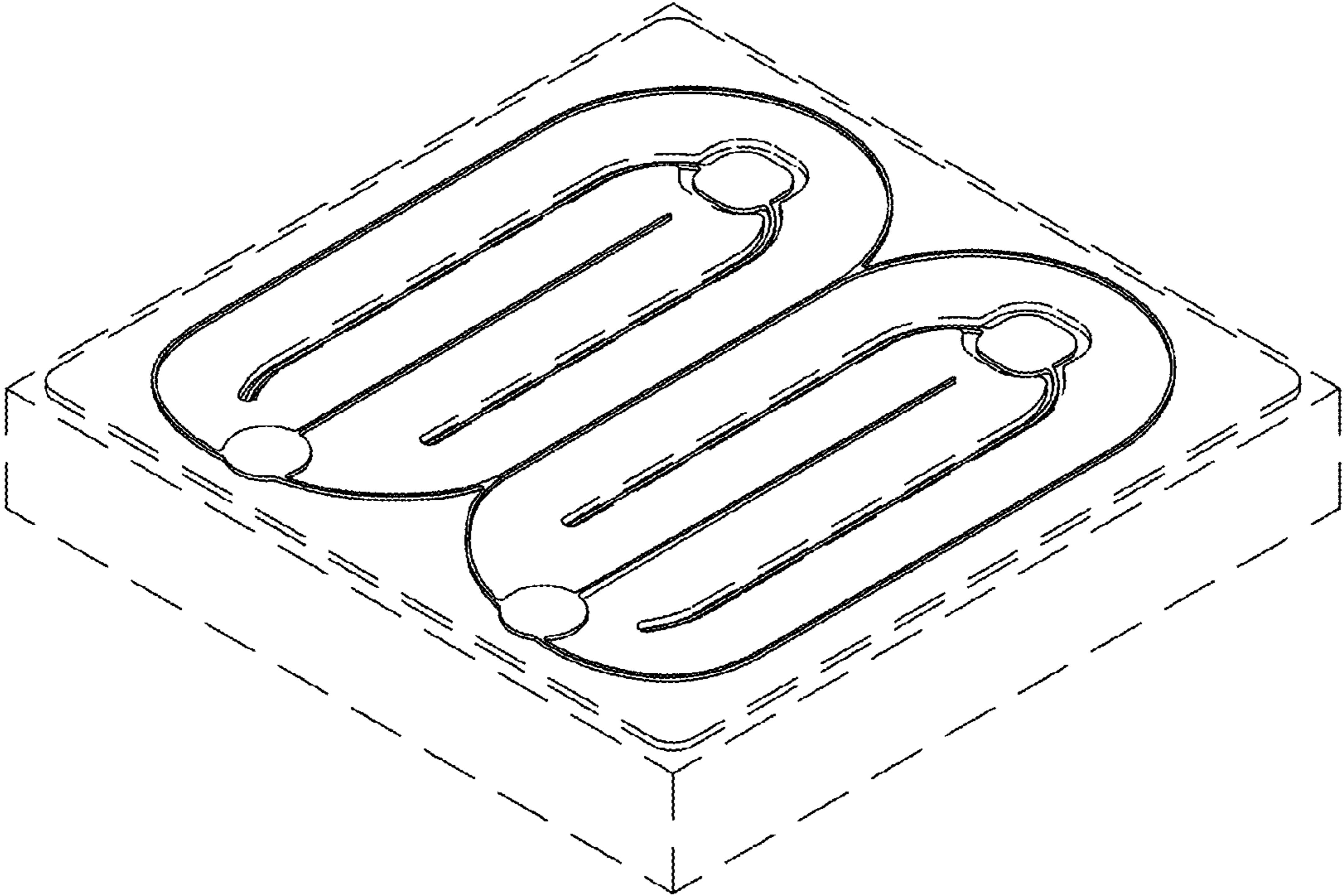


FIG. 2

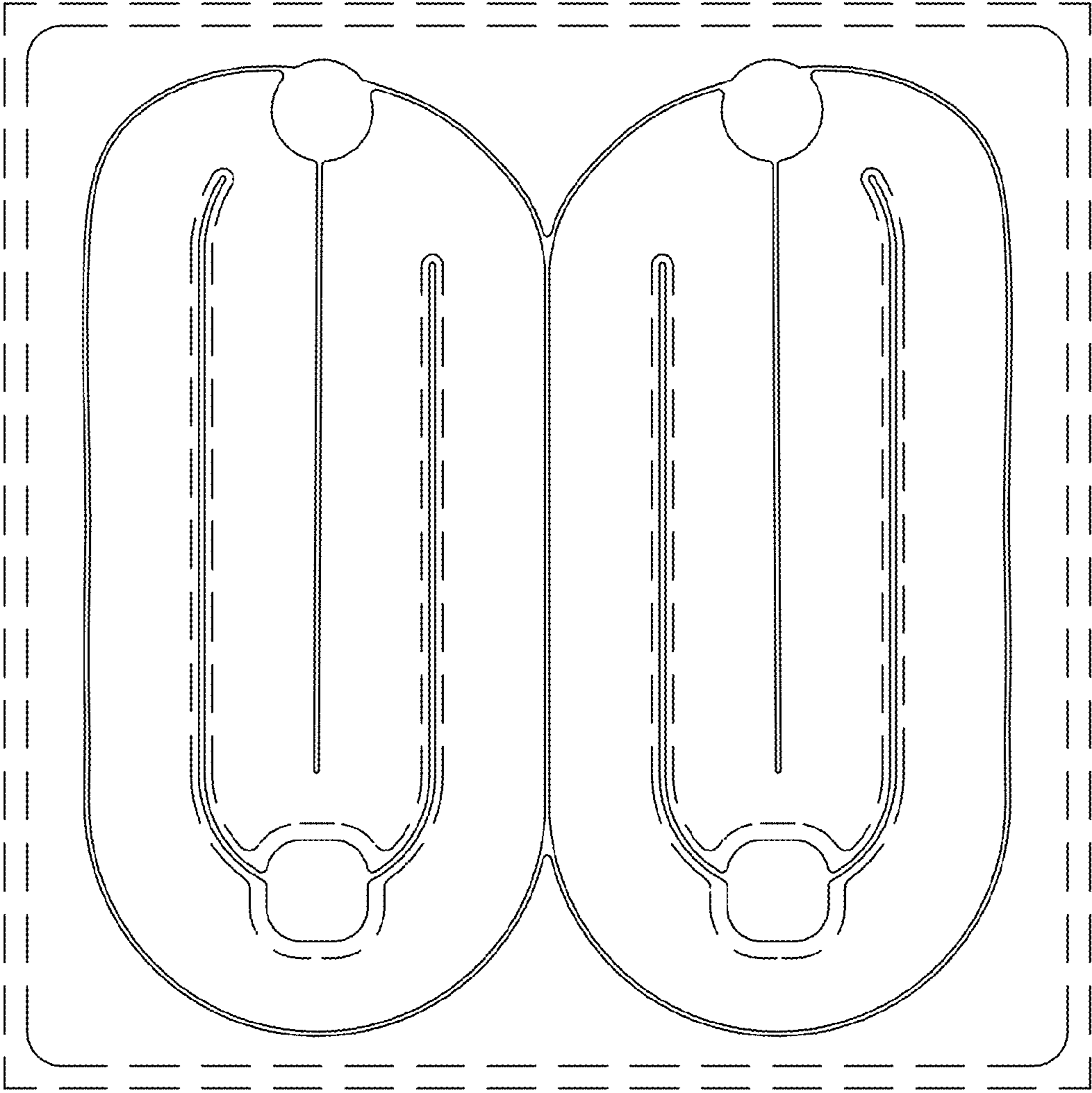


FIG. 3



FIG. 4

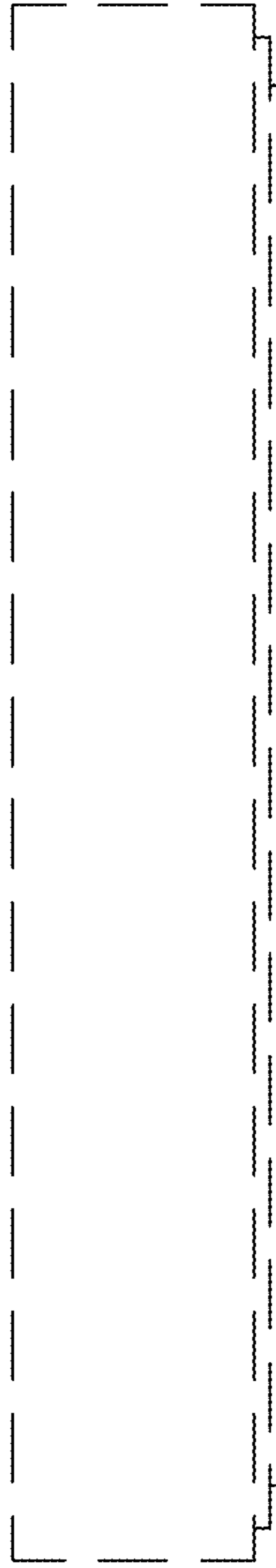


FIG. 5



FIG. 6

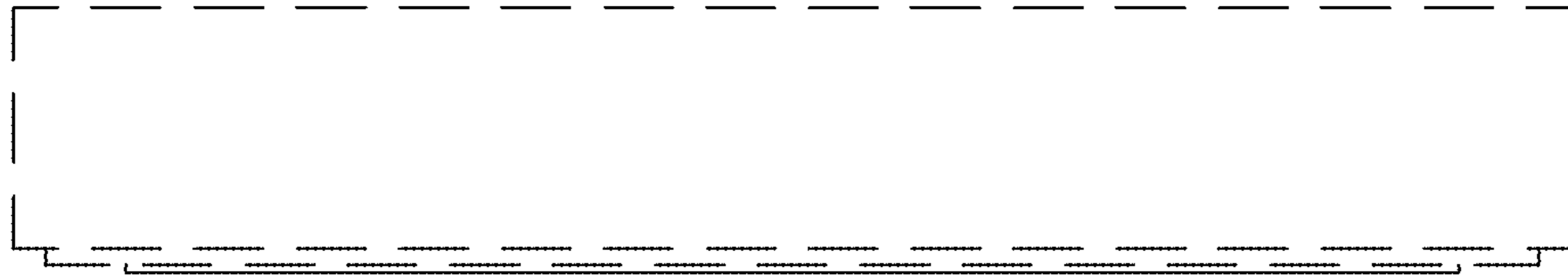


FIG. 7

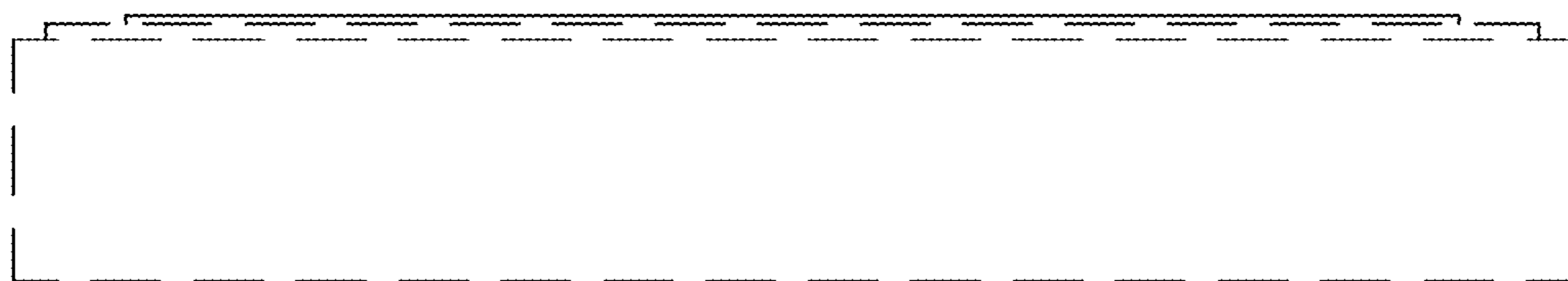


FIG. 8