



US00D743354S

(12) **United States Design Patent**  
**Hon et al.**

(10) **Patent No.:** **US D743,354 S**

(45) **Date of Patent:** **\*\* Nov. 17, 2015**

(54) **LIGHT-EMITTING DIODE**

H01L 33/20; H01L 33/38; H01L 33/42;  
H01L 33/48; H01L 33/483; H01L 33/486

See application file for complete search history.

(71) Applicant: **EPISTAR CORPORATION**, Hsinchu (TW)

(72) Inventors: **Schang-Jing Hon**, Hsinchu (TW);  
**Chao-Hsing Chen**, Hsinchu (CN);  
**Tsun-Kai Ko**, Hsinchu (TW); **Chien-Fu Shen**, Hsinchu (TW); **Jia-Kuen Wang**, Hsinchu (TW); **Hung-Che Chen**, Hsinchu (TW)

(73) Assignee: **EPISTAR CORPORATION**, Hsinchu (TW)

(\*\*) Term: **14 Years**

(21) Appl. No.: **29/481,047**

(22) Filed: **Jan. 31, 2014**

**Related U.S. Application Data**

(63) Continuation of application No. 29/451,744, filed on Apr. 8, 2013, now Pat. No. Des. 698,743.

(30) **Foreign Application Priority Data**

Dec. 7, 2012 (TW) ..... 101307354

(51) **LOC (10) Cl.** ..... **13-03**

(52) **U.S. Cl.**  
USPC ..... **D13/180**

(58) **Field of Classification Search**  
USPC ..... D13/180; D26/1; 257/79, 80, 81, 88, 257/89, 95, 98, 99, 100, E33.058; 313/483, 313/498, 500; 362/555, 800  
CPC ... H01L 25/167; H01L 25/0753; H01L 27/15; H01L 27/156; H01L 31/02; H01L 33/00; H01L 33/04; H01L 33/08; H01L 33/10;

(56) **References Cited**

U.S. PATENT DOCUMENTS

6,614,056	B1	9/2003	Tarsa et al.	
6,844,571	B2	1/2005	Krames et al.	
7,282,741	B2 *	10/2007	Kim et al.	257/79
7,429,755	B2 *	9/2008	Hsu	257/81
D580,888	S *	11/2008	Liu	D13/180
7,777,245	B2 *	8/2010	Hwang et al.	257/99

(Continued)

*Primary Examiner* — Selina Sikder

(74) *Attorney, Agent, or Firm* — Muncy, Geissler, Olds & Lowe, P.C.

(57) **CLAIM**

The ornamental design for a light-emitting diode, as shown and described.

**DESCRIPTION**

FIG. 1 is a perspective view of a light-emitting diode showing our new design;

FIG. 2 is an enlarged view of the light-emitting diode of FIG. 1;

FIG. 3 is another perspective view of the light-emitting diode;

FIG. 4 is a front elevational view of the light-emitting diode;

FIG. 5 is a rear elevational view of the light-emitting diode;

FIG. 6 is a left side view of the light-emitting diode;

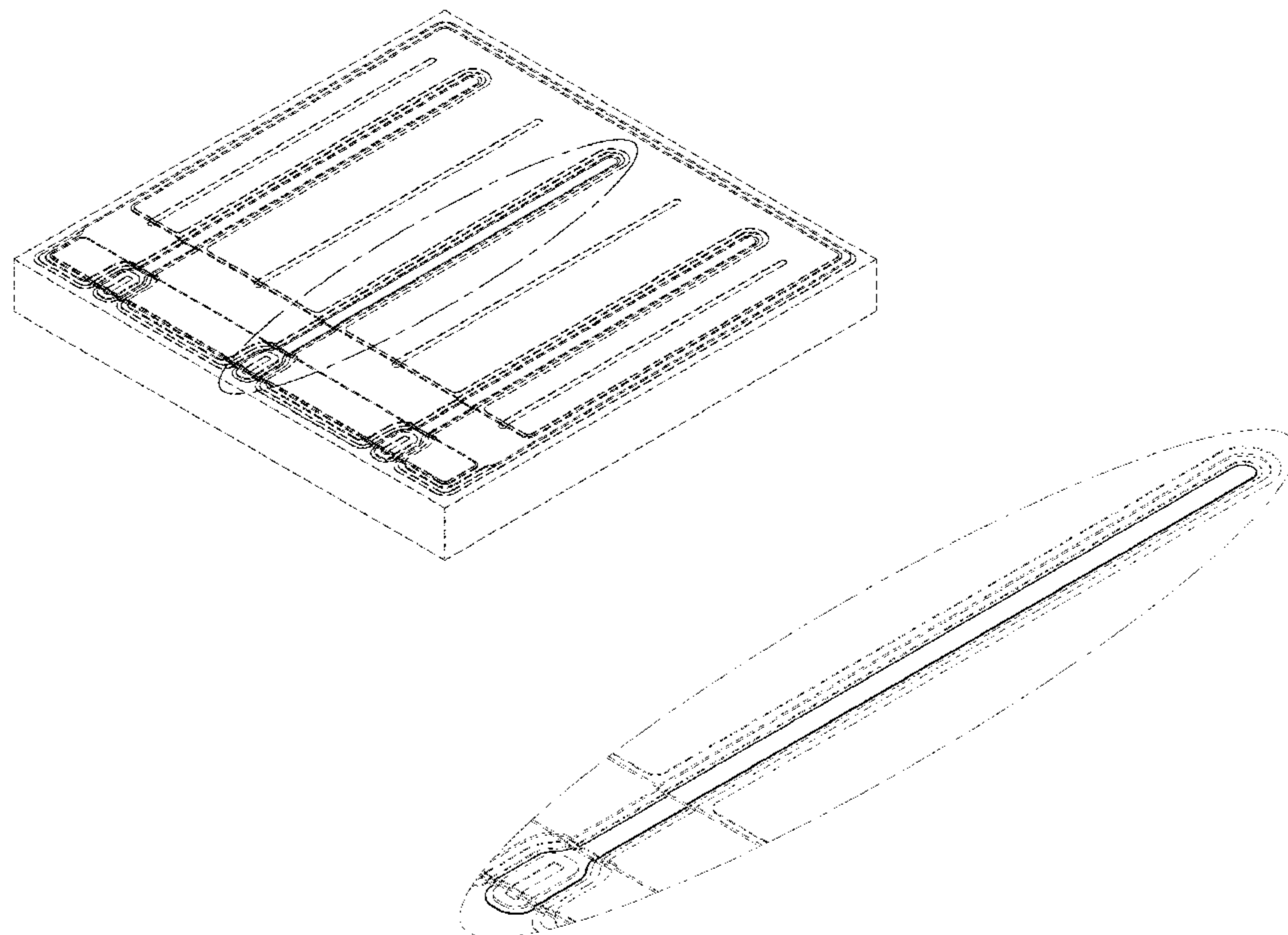
FIG. 7 is a right side view of the light-emitting diode;

FIG. 8 is a top plan view of the light-emitting diode; and,

FIG. 9 is a bottom plan view of the light-emitting diode.

The broken line showing is for the purpose of illustrating environmental structure and forms no part of the claimed design.

**1 Claim, 6 Drawing Sheets**



(56)

**References Cited**

U.S. PATENT DOCUMENTS

7,795,610 B2	9/2010	Kim et al.			
D635,525 S *	4/2011	Edmond et al. ....	D13/180		
8,168,995 B2 *	5/2012	Ko et al. ....	257/99		
8,188,493 B2	5/2012	Li et al.			
8,188,505 B2 *	5/2012	Shen et al. ....	257/99		
8,362,516 B2 *	1/2013	Inoue et al. ....	257/99		
D676,001 S *	2/2013	Hsu et al. ....	D13/180		
D680,085 S	4/2013	Wu et al.			
D681,567 S	5/2013	Wang et al.			
D684,940 S *	6/2013	Chu et al. ....	D13/180		
8,461,615 B2 *	6/2013	Kimura et al. ....	257/99		
D687,396 S	8/2013	Chen et al.			
		8,525,196 B2 *	9/2013	Lee et al. ....	257/94
		8,546,840 B2 *	10/2013	Inoue et al. ....	257/99
		D698,743 S *	2/2014	Hon et al. ....	D13/180
		8,742,449 B2 *	6/2014	Seo et al. ....	257/99
		8,866,186 B2 *	10/2014	Orijji et al. ....	257/103
		D721,663 S *	1/2015	Chen et al. ....	D13/180
		D721,664 S *	1/2015	Chen et al. ....	D13/180
		9,012,952 B2 *	4/2015	Seo et al. ....	257/99
		9,018,669 B2 *	4/2015	Seo et al. ....	257/99
		2003/0107053 A1 *	6/2003	Uemura et al. ....	257/200
		2005/0133807 A1 *	6/2005	Park et al. ....	257/99
		2008/0210972 A1	9/2008	Ko et al.	
		2008/0230791 A1	9/2008	Lin et al.	
		2012/0241808 A1	9/2012	Akiyama et al.	

\* cited by examiner

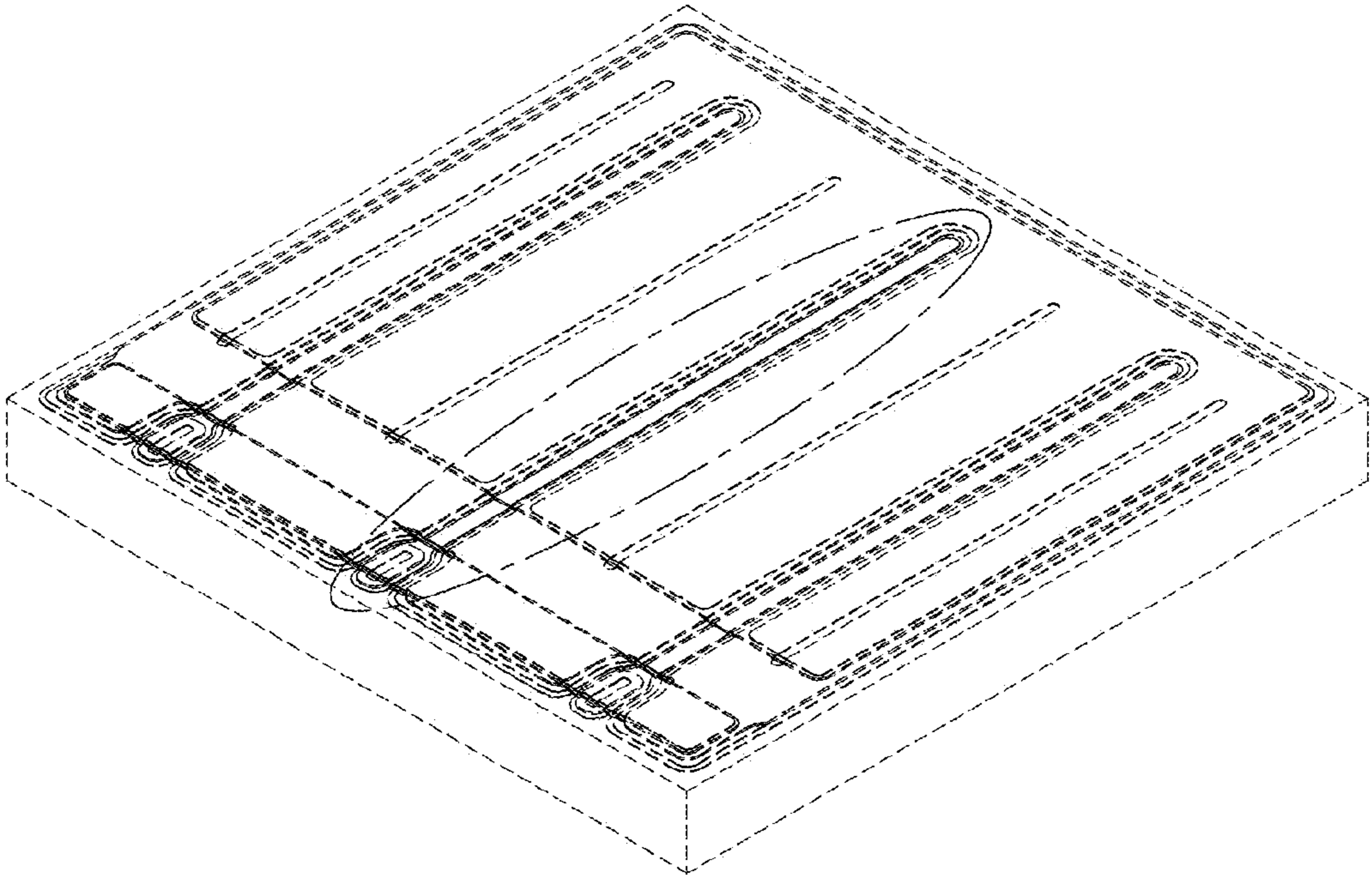


FIG. 1

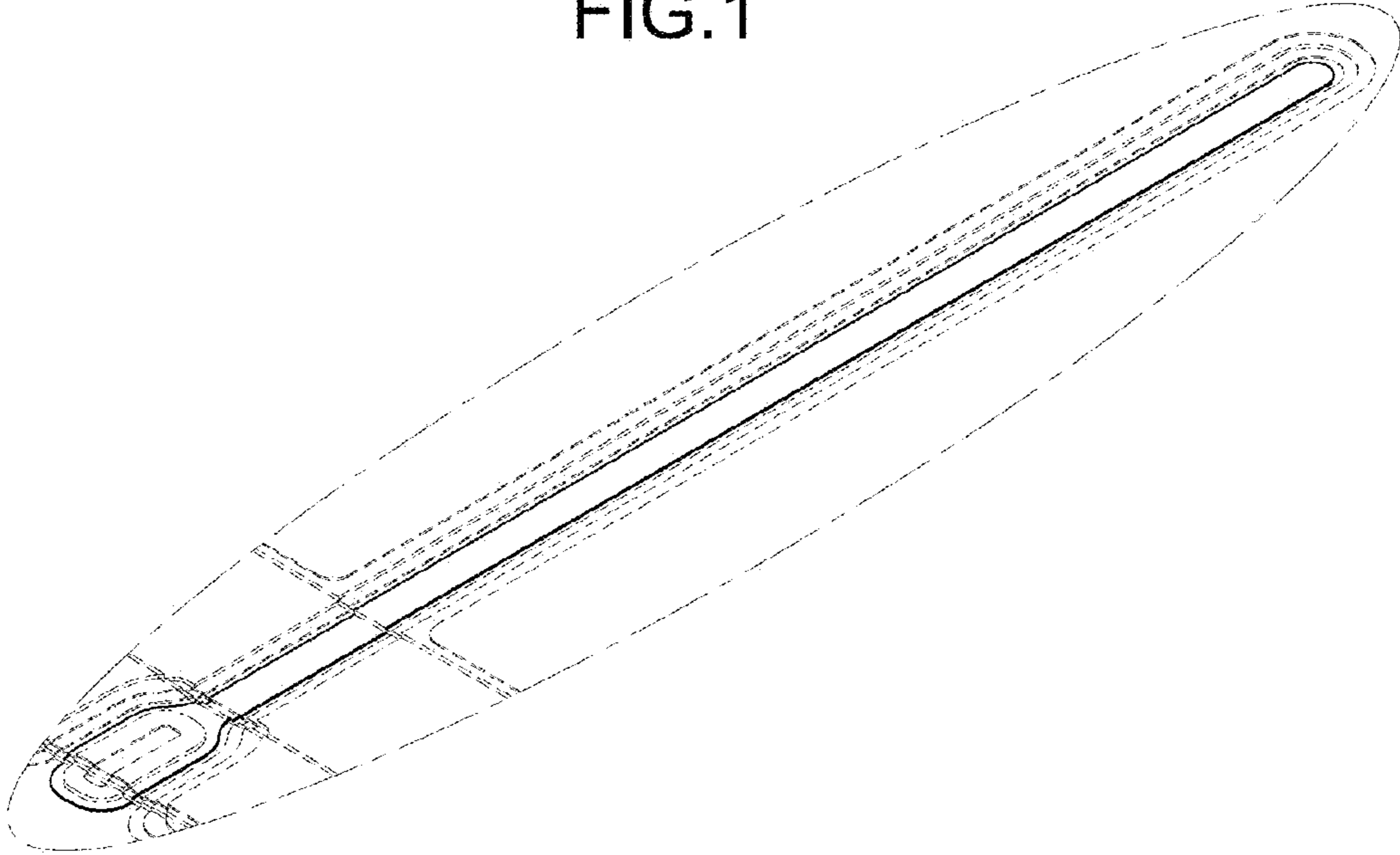


FIG. 2

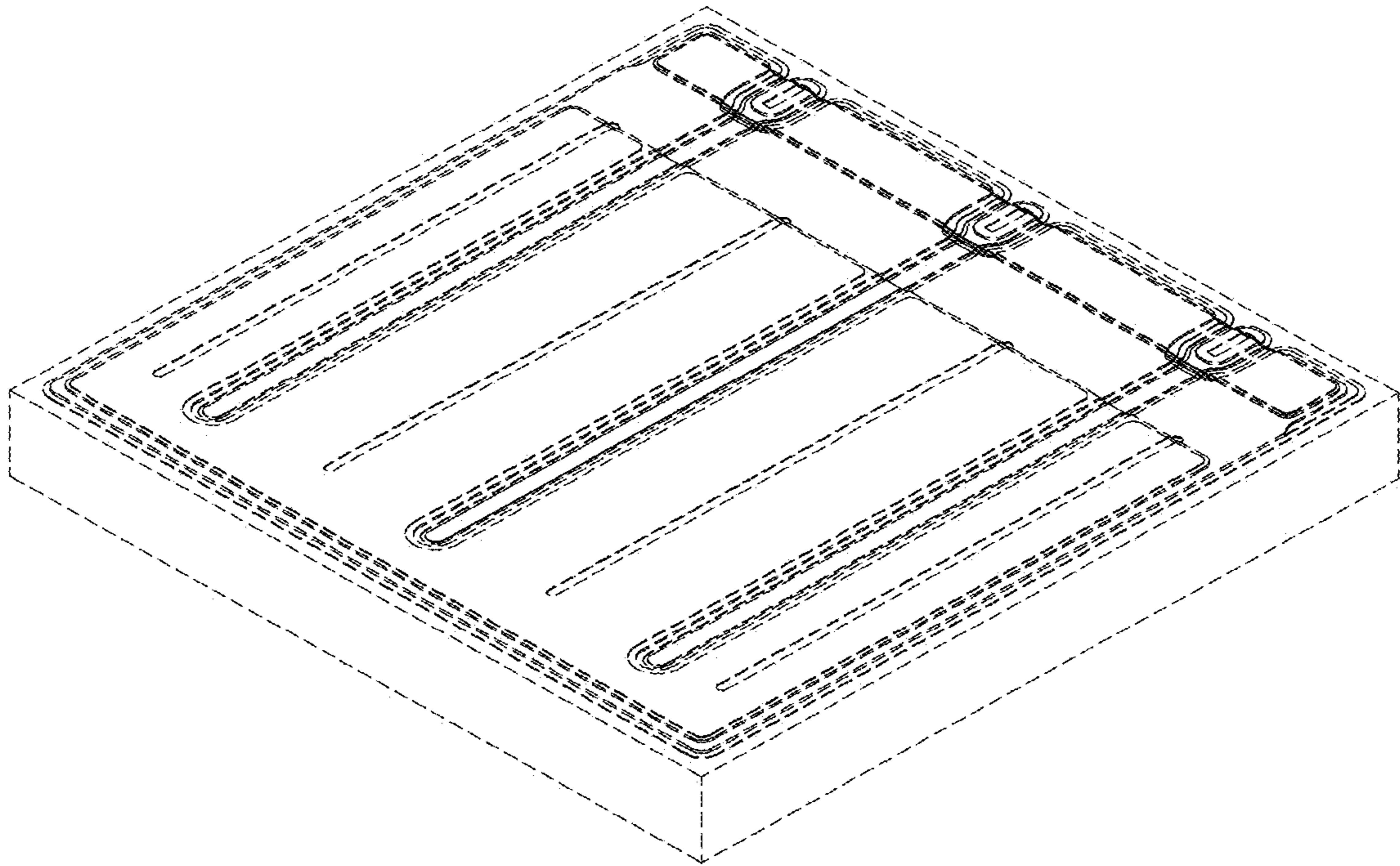


FIG.3

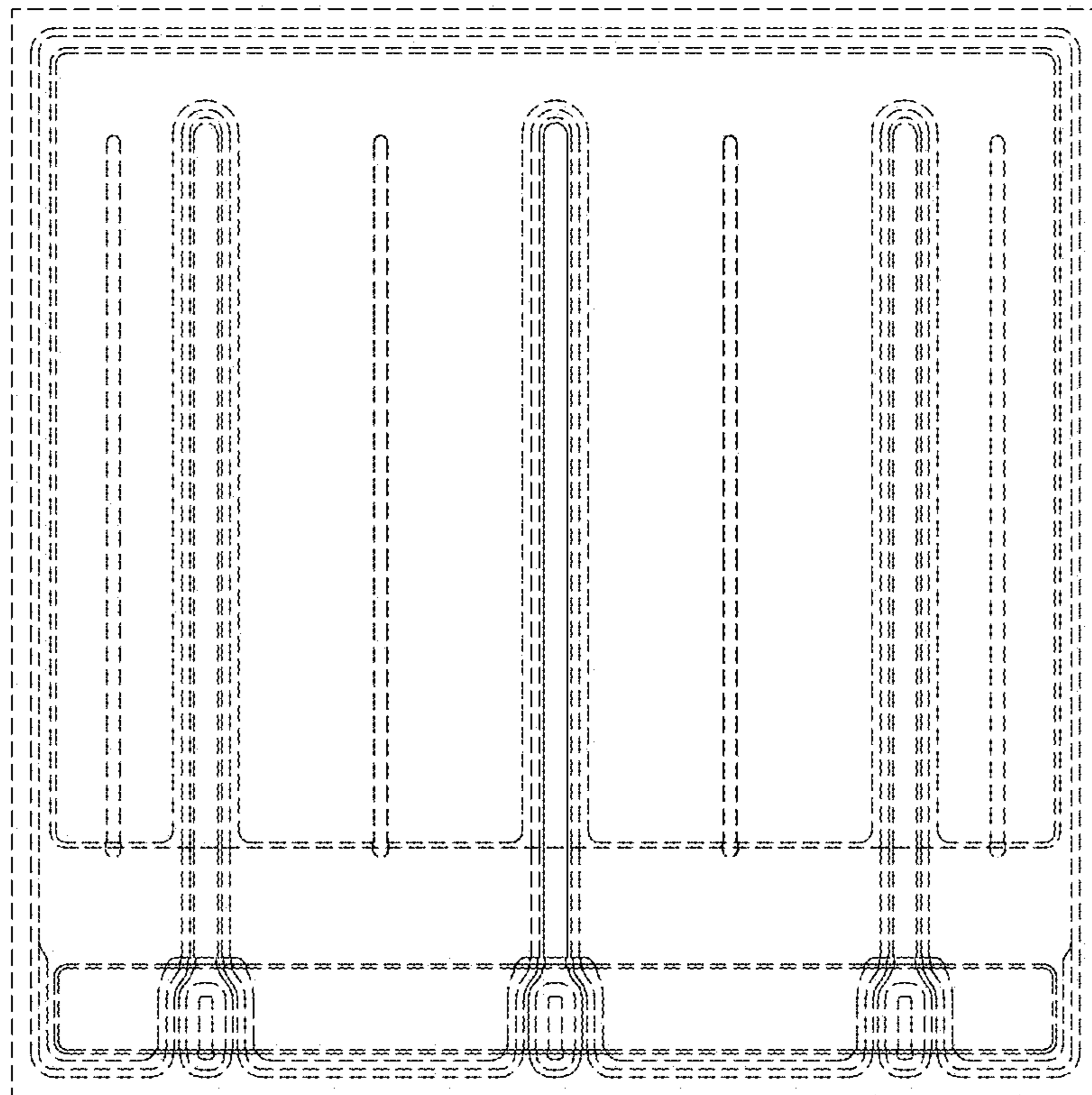


FIG.4



**FIG.5**

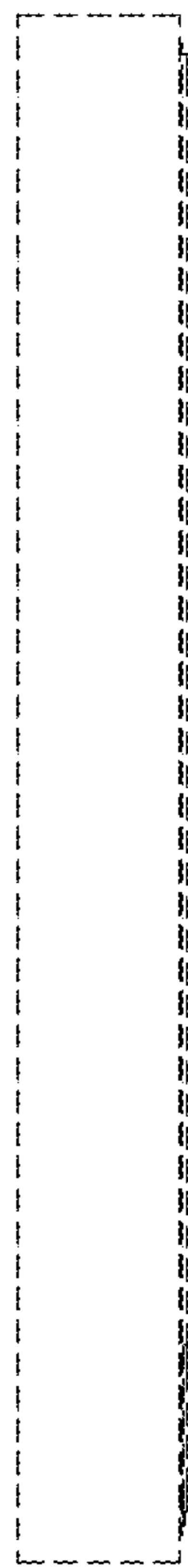


FIG.6

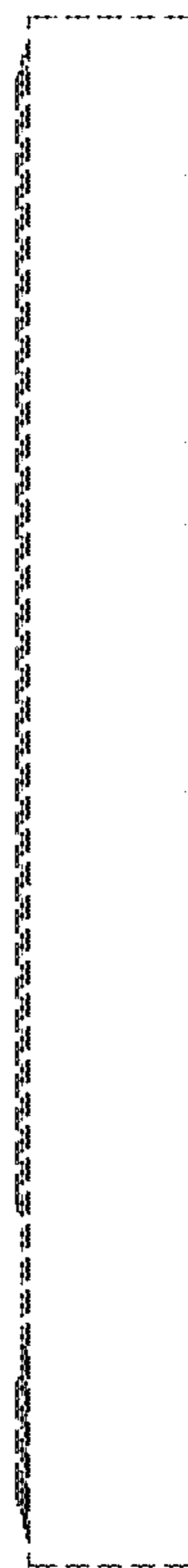


FIG.7

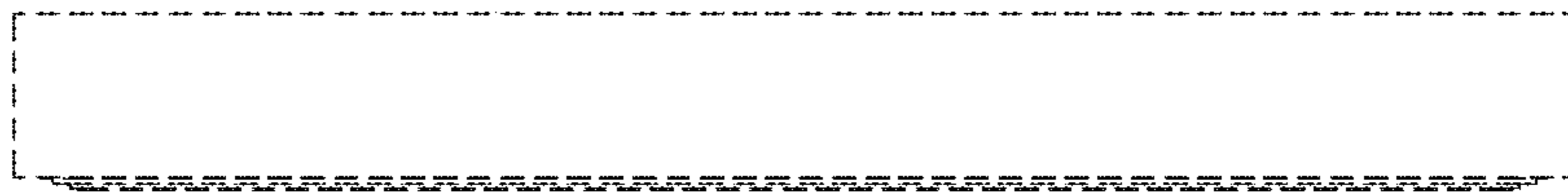


FIG. 8

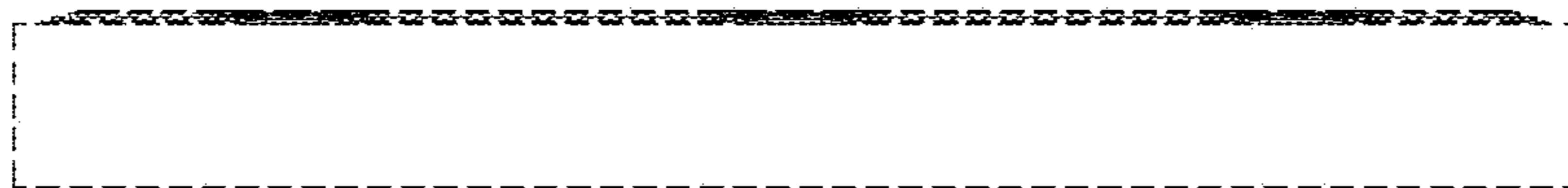


FIG. 9