



US00D743349S

(12) **United States Design Patent**
Leeland et al.

(10) **Patent No.:** **US D743,349 S**

(45) **Date of Patent:** **** Nov. 17, 2015**

(54) **BUILDING CONTROL DEVICE**

D253,044 S 10/1979 Hewson

(Continued)

(71) Applicant: **Honeywell International Inc.,**
Morristown, NJ (US)

Primary Examiner — Selina Sikder

(72) Inventors: **Shanna Leeland**, Duvall, WA (US);
Philip Shen, Redmond, WA (US);
Albert Holaso, Celebration, FL (US);
Eric Helzer, Woodinville, WA (US);
Kevin Clinger, Monroe, WA (US);
Maria Lalli, Portland, OR (US); **Robert**
C. Frost, Portland, OR (US); **Seonmee**
Kong, Portland, OR (US); **Niklas**
Gustafsson, Portland, OR (US); **J**
Matthew Baranauskas, Portland, OR
(US)

(74) *Attorney, Agent, or Firm* — Seager, Tufte & Wickhem
LLP

(57) **CLAIM**

The ornamental design for a building control device, as
shown and described.

DESCRIPTION

(73) Assignee: **Honeywell International Inc.,**
Morristown, NJ (US)

(**) Term: **14 Years**

(21) Appl. No.: **29/487,256**

(22) Filed: **Apr. 7, 2014**

(51) **LOC (10) Cl.** **13-03**

(52) **U.S. Cl.**
USPC **D13/162; D13/168; D10/50**

(58) **Field of Classification Search**

USPC D13/162, 168; D6/300, 308; D10/49,
D10/50, 104.1, 106.1, 106.95; D14/126,
D14/129, 336, 337, 341, 371, 375, 218
CPC ... F24F 11/00; F24F 11/0012; F24F 11/0086;
F24F 11/0009; F24F 2011/0057; F24F
2011/0073; F24F 2011/0091; G05B 19/0426;
G05B 19/409; G05B 15/02; G06F 1/1601;
G06F 3/041; G06F 3/044; G06F 3/0482;
G06F 3/0488; G06F 3/0489; G05D 23/1902;
G05D 23/1905; G05D 23/1931; G02F
1/33308; H01H 9/02; H05B 37/02

See application file for complete search history.

FIG. 1 is a perspective view of a building control device in
accordance with the present invention;
FIG. 2 is a front elevation view of the building control device
of FIG. 1;
FIG. 3 is a right side view of the building control device of
FIG. 1;
FIG. 4 is a left side view of the building control device of FIG.
1;
FIG. 5 is a top plan view of the building control device of FIG.
1;
FIG. 6 is a bottom plan view of the building control device of
FIG. 1;
FIG. 7 is a perspective view of another building control device
in accordance with the present invention;
FIG. 8 is a front elevation view of the building control device
of FIG. 7;
FIG. 9 is a left side view of the building control device of FIG.
7;
FIG. 10 is a right side view of the building control device of
FIG. 7;
FIG. 11 is a top plan view of the building control device of
FIG. 7; and,
FIG. 12 is a bottom plan view of the building control device of
FIG. 7.

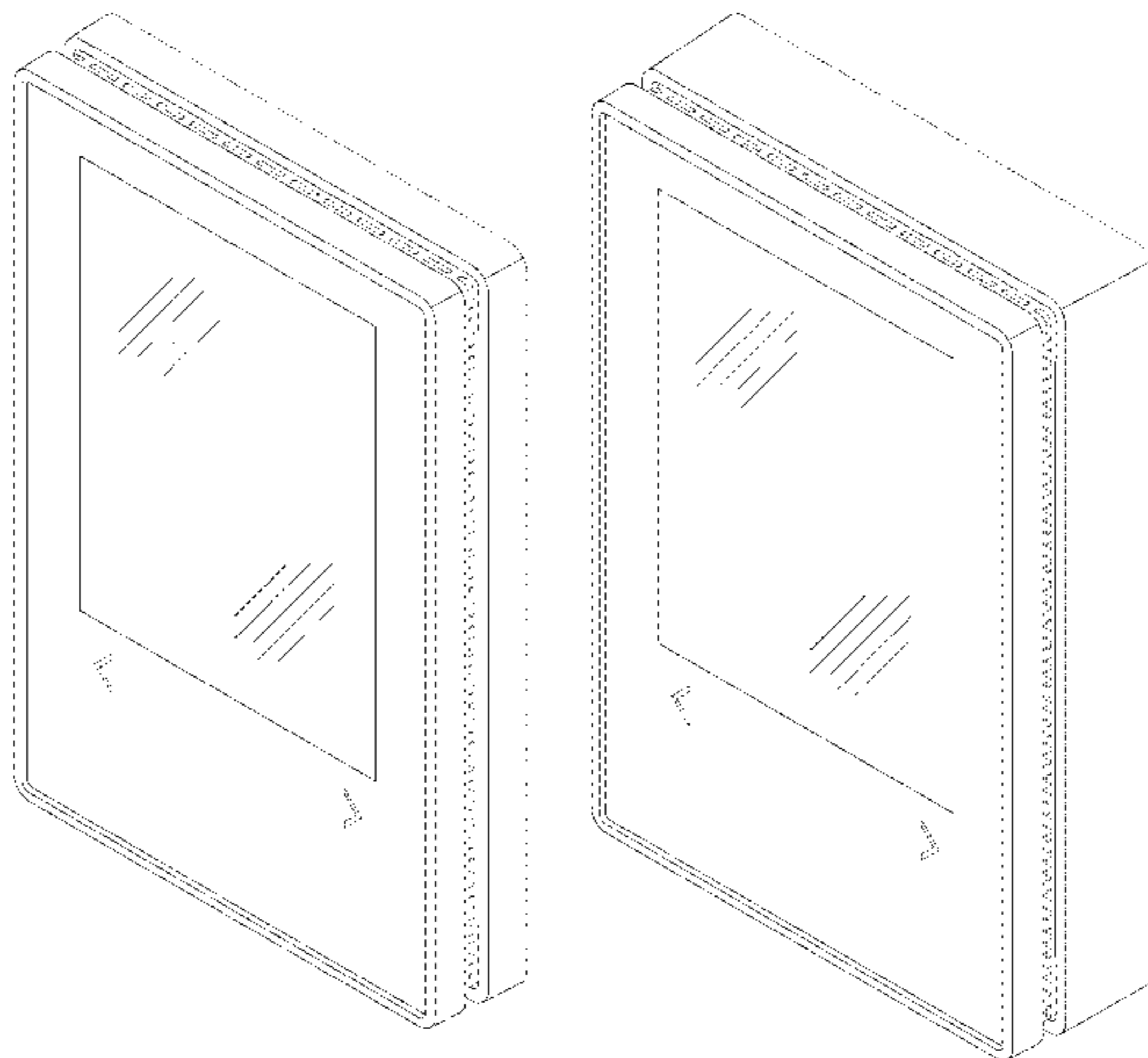
The portions illustrated in broken lines on the figures are for
illustrative purposes only and form no part of the claimed
design.

(56) **References Cited**

U.S. PATENT DOCUMENTS

D225,677 S 12/1972 Fortier et al.

1 Claim, 12 Drawing Sheets



(56)

References Cited

U.S. PATENT DOCUMENTS

D255,103 S	5/1980	Wolfe		D579,798 S	11/2008	Kachlick et al.	
D310,340 S	9/1990	Wada et al.		D580,282 S	11/2008	Bray et al.	
D319,403 S	8/1991	Tiedemann		D582,800 S	12/2008	Comerford et al.	
D345,701 S	4/1994	Dushane et al.		D582,801 S	12/2008	Comerford et al.	
D346,978 S	5/1994	Giese et al.		D582,803 S	12/2008	Comerford et al.	
D359,458 S	6/1995	Pierret et al.		D585,777 S	2/2009	Li	
D364,824 S	12/1995	Warren et al.		D589,822 S	4/2009	Rhodes	
D374,830 S	10/1996	Dexter et al.		D590,730 S	4/2009	Simard et al.	
D396,812 S	8/1998	Kuipers		D592,081 S	5/2009	Kachlick et al.	
D399,142 S	10/1998	Leveridge		D592,981 S	5/2009	Chuan	
D418,762 S	1/2000	Dushane et al.		D592,982 S	5/2009	Burt et al.	
D435,224 S	12/2000	King et al.		D595,160 S	6/2009	Fisher	
D443,595 S	6/2001	Pawley		D595,161 S	6/2009	Fisher	
D469,109 S	1/2003	Satzger et al.		D595,664 S	7/2009	Simard	
D469,748 S	2/2003	Ribeiro et al.		D596,173 S	* 7/2009	Arfin	D14/307
D490,726 S	6/2004	Eungprabhanth		D596,963 S	7/2009	Novotny et al.	
D496,870 S	10/2004	Stekelenburg		D596,964 S	7/2009	Wang et al.	
D498,426 S	11/2004	Svennberg		D598,305 S	8/2009	Li et al.	
D505,344 S	5/2005	Roher et al.		D610,475 S	2/2010	Beers et al.	
D506,151 S	6/2005	Roher et al.		D610,748 S	2/2010	Volpenhein et al.	
D507,976 S	8/2005	Roher et al.		D614,975 S	5/2010	Fisher	
D516,925 S	3/2006	Roher et al.		D615,887 S	5/2010	Alexander et al.	
D516,926 S	3/2006	Roher et al.		D622,621 S	8/2010	Choi et al.	
D520,883 S	5/2006	Hillard et al.		D623,606 S	9/2010	Nakai et al.	
7,047,092 B2 *	5/2006	Wimsatt	700/83	D630,164 S	1/2011	Kudo et al.	
D524,176 S	7/2006	Hunter et al.		D643,318 S	8/2011	Morrow	
D527,658 S	9/2006	Moore		D646,187 S	10/2011	Edgar	
D533,091 S	12/2006	Garrett et al.		D648,641 S	* 11/2011	Wallaert et al.	D10/50
D533,092 S	12/2006	Disselkoen		D664,513 S	* 7/2012	Laube et al.	D14/126
D533,793 S	12/2006	Moore		D666,508 S	9/2012	Beland et al.	
D534,088 S	12/2006	Moore		D666,509 S	9/2012	Beland et al.	
D534,089 S	12/2006	Disselkoen		D679,205 S	4/2013	Eyring et al.	
D535,268 S	1/2007	Holger		D688,955 S	9/2013	Deligiannis et al.	
D535,572 S	1/2007	Takach et al.		D690,661 S	* 10/2013	Wisniewski et al.	D13/162
D536,271 S	2/2007	Moore		D694,195 S	* 11/2013	Gammon et al.	D13/162
D541,679 S	5/2007	Disselkoen		8,802,981 B2 *	8/2014	Wallaert et al.	174/58
D542,160 S	5/2007	Disselkoen		8,933,892 B2 *	1/2015	Woolley et al.	345/173
D553,022 S	10/2007	McGuire et al.		D727,271 S	* 4/2015	Shi et al.	D13/162
D556,060 S	11/2007	McGuire et al.		D727,857 S	* 4/2015	Acera et al.	D13/162
7,299,996 B2	11/2007	Garrett et al.		D729,793 S	* 5/2015	Hickok et al.	D14/336
D556,607 S	12/2007	Beland et al.		2006/0032932 A1	2/2006	Bartlett	
D558,073 S	12/2007	Simon		2006/0161270 A1 *	7/2006	Luskin et al.	700/22
D562,847 S	2/2008	Andre et al.		2008/0256475 A1 *	10/2008	Amundson et al.	715/772
D563,908 S	3/2008	Kohler, Jr. et al.		2009/0143880 A1 *	6/2009	Amundson et al.	700/83
D568,257 S *	5/2008	Tatsuyama et al.	D13/162	2010/0106305 A1 *	4/2010	Pavlak et al.	700/276
D568,338 S	5/2008	Andre et al.		2013/0198670 A1 *	8/2013	Pelletier et al.	715/771
D571,675 S	6/2008	Skaf et al.		2013/0204406 A1 *	8/2013	Andersson et al.	700/83
D575,647 S	8/2008	Lobermeier et al.		2014/0070707 A1 *	3/2014	Nagazoe	315/151
				2014/0184978 A1 *	7/2014	Yu et al.	349/58

* cited by examiner

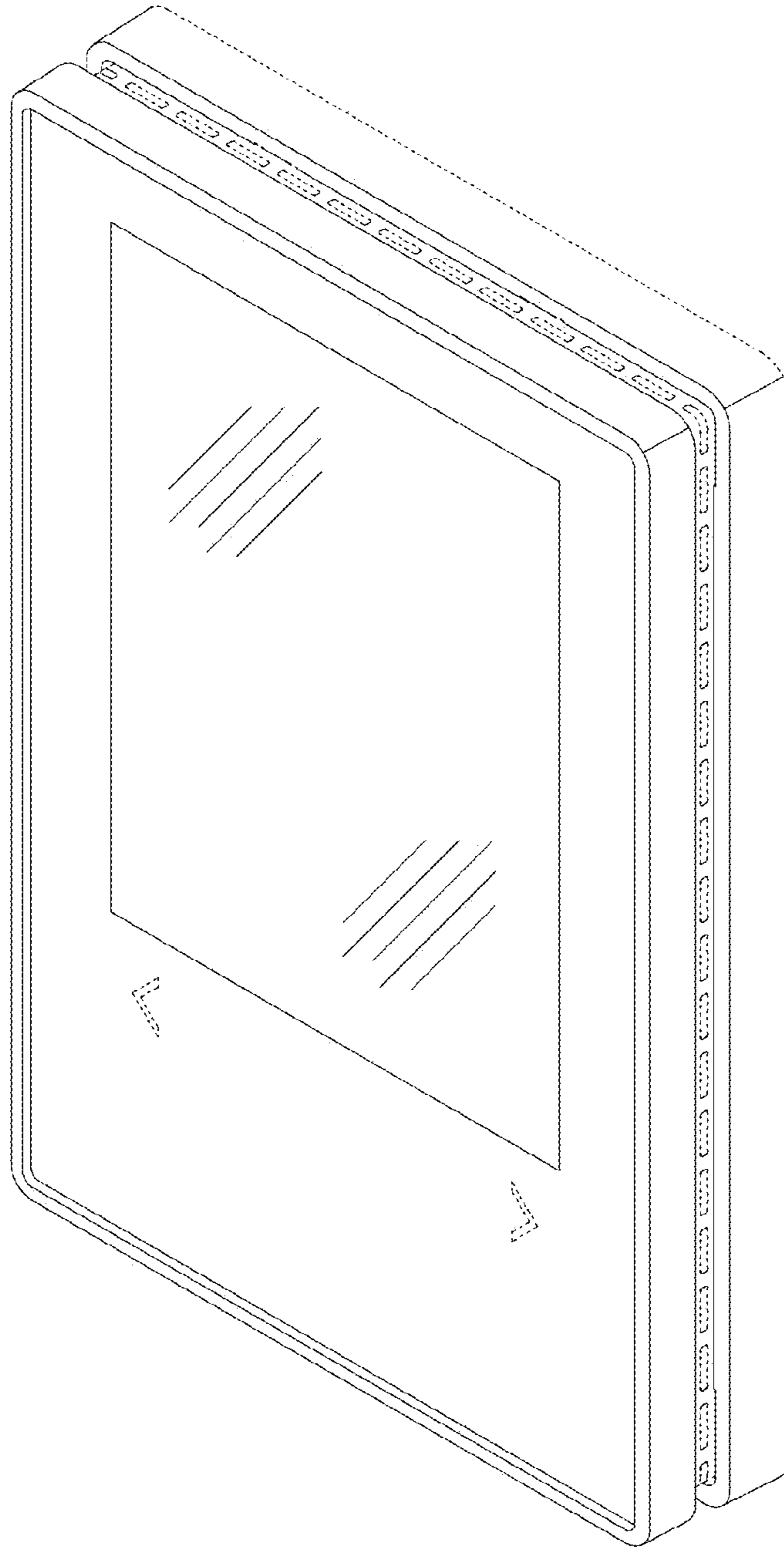


FIG. 1

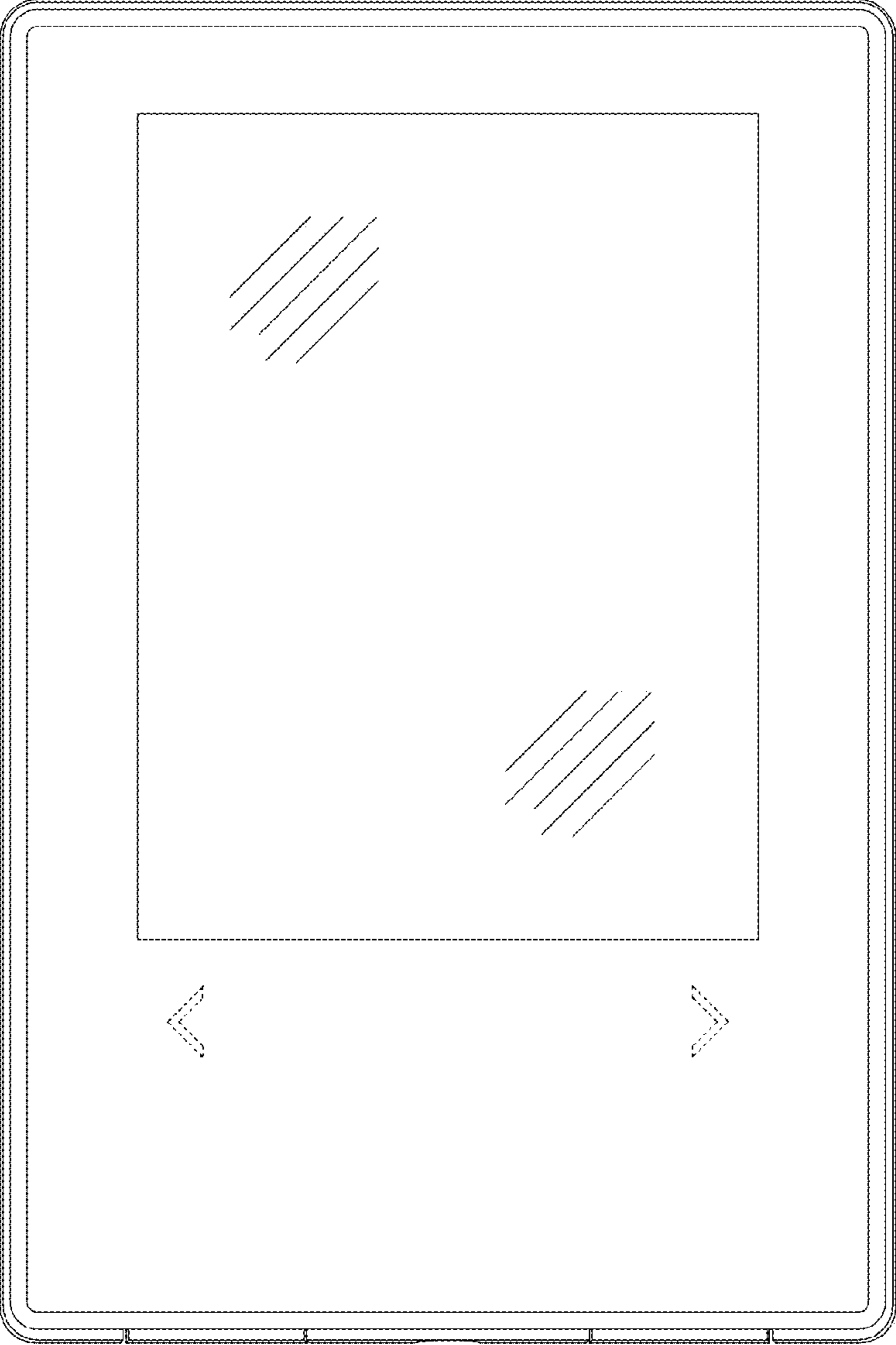


FIG. 2

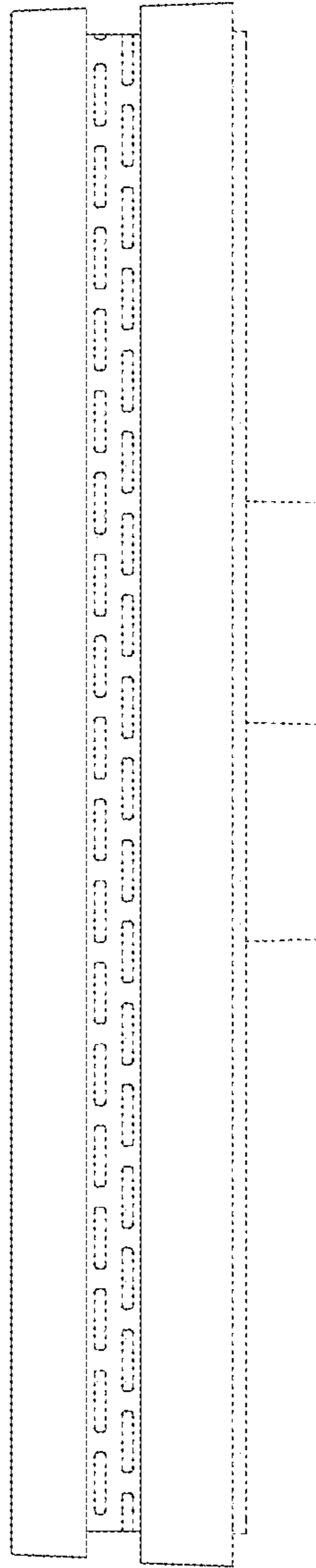


FIG. 3

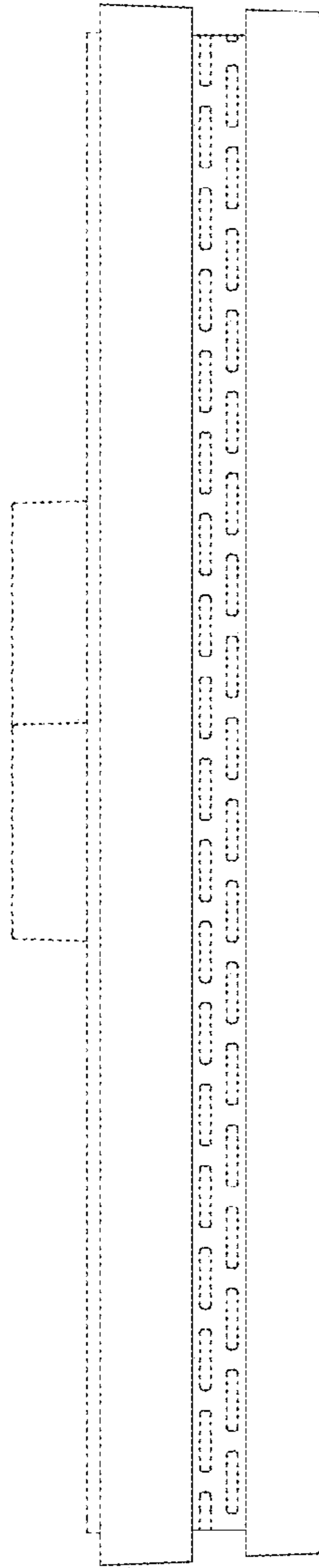


FIG. 4

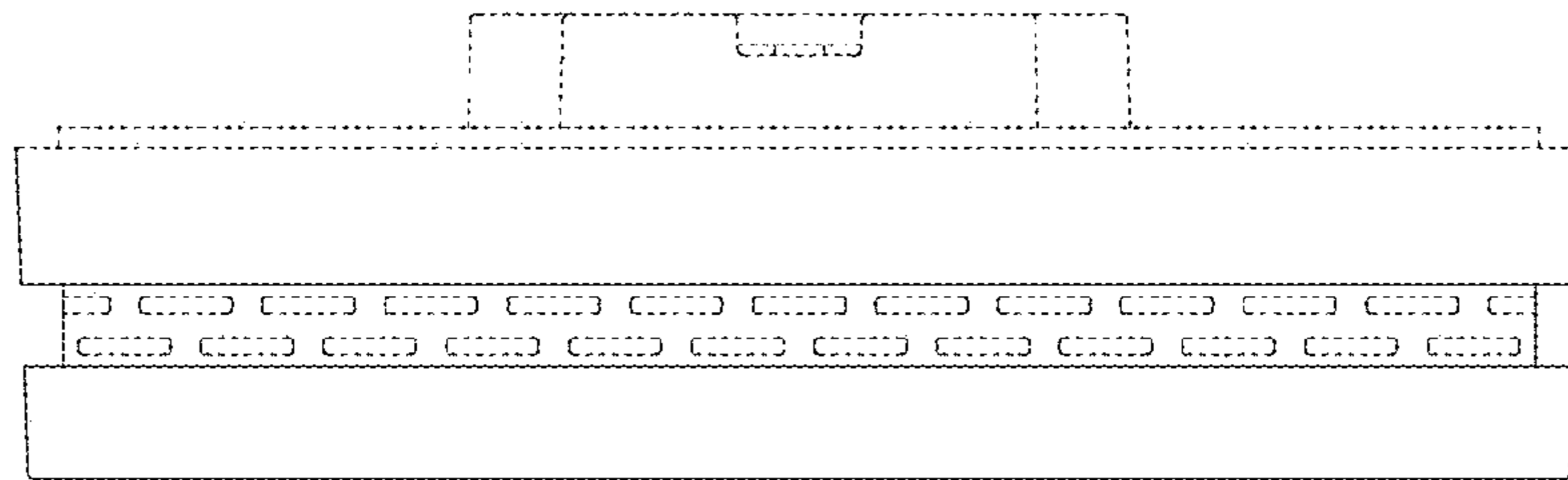


FIG. 5

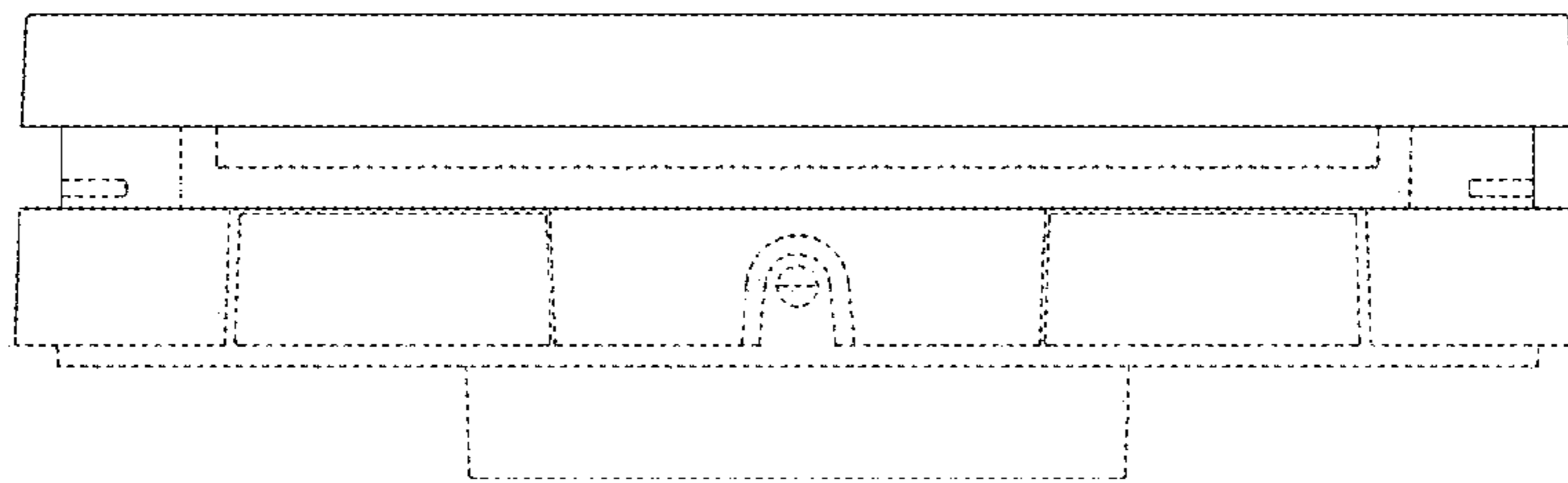


FIG. 6

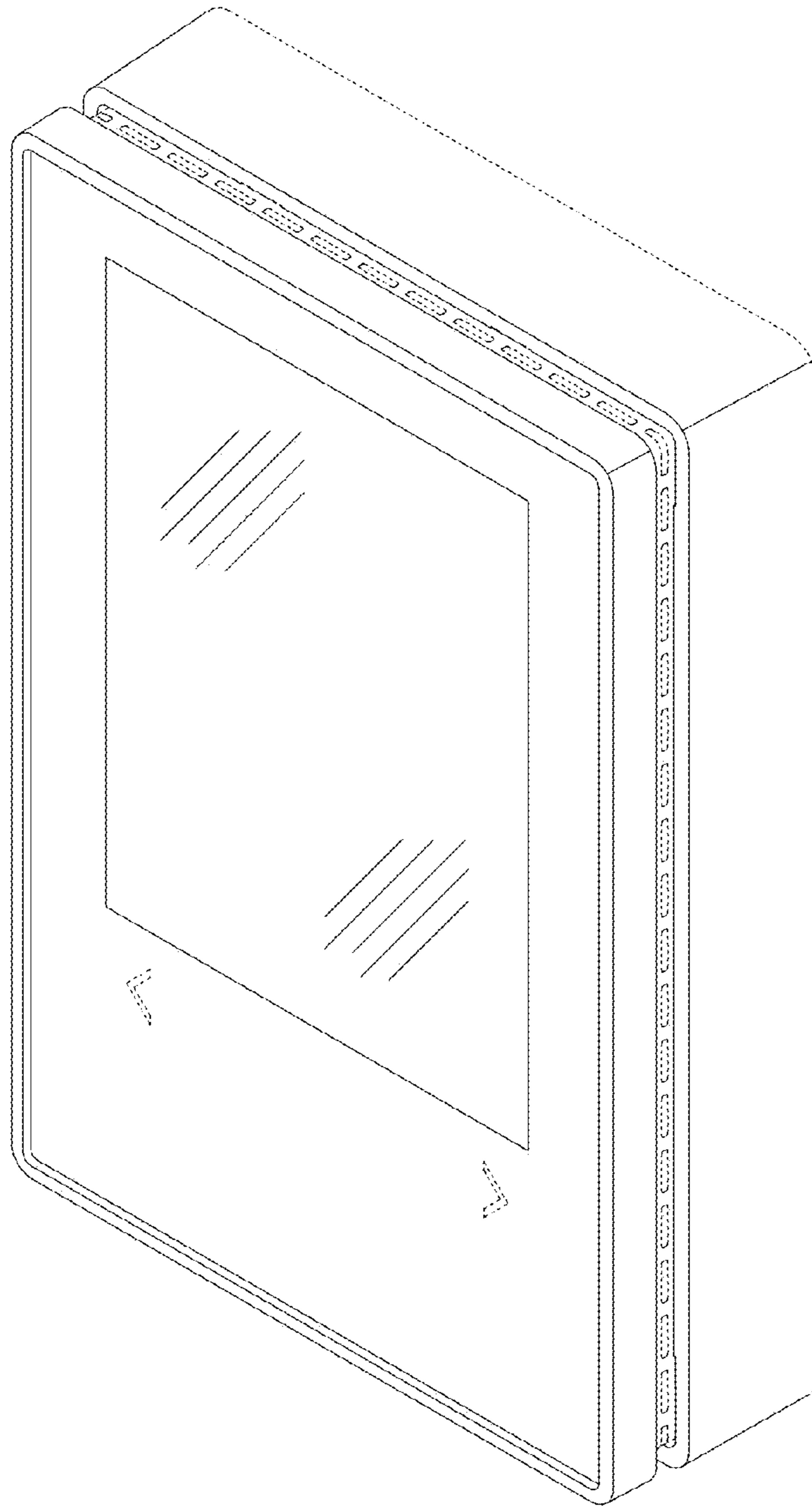


FIG. 7

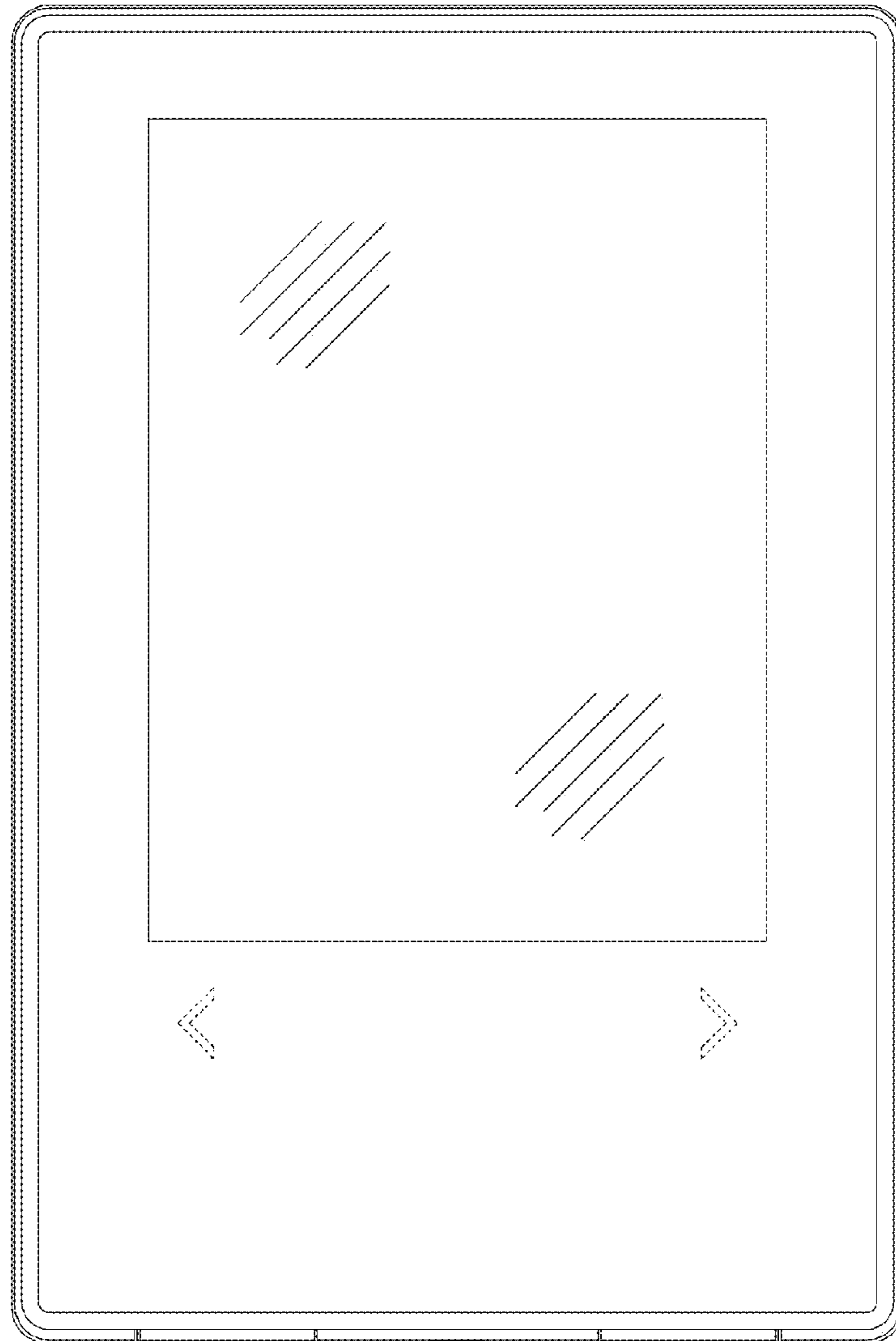


FIG. 8

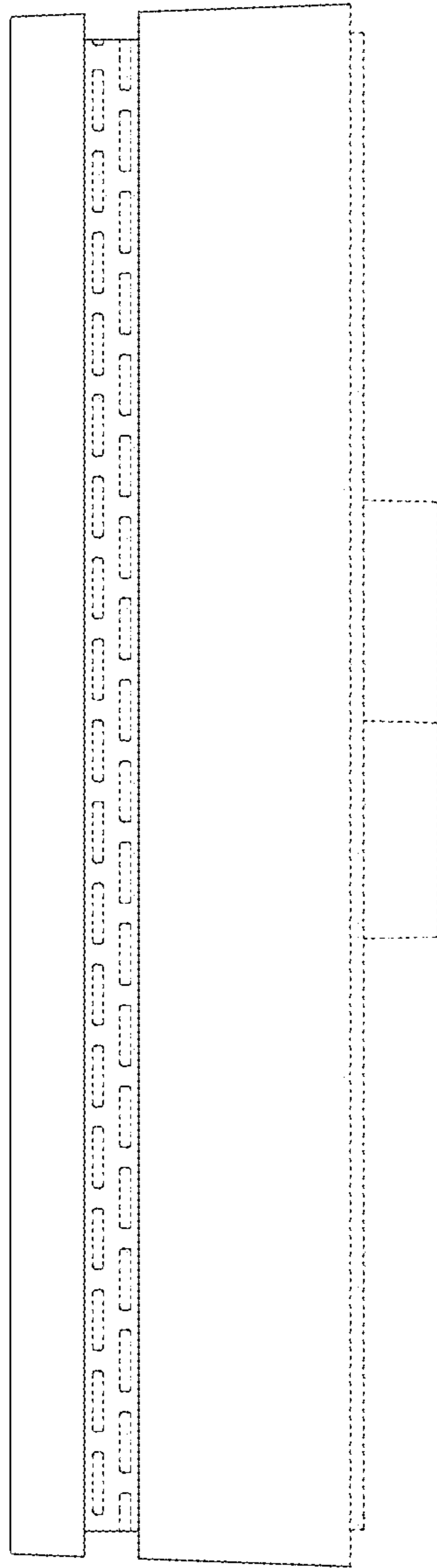


FIG. 9

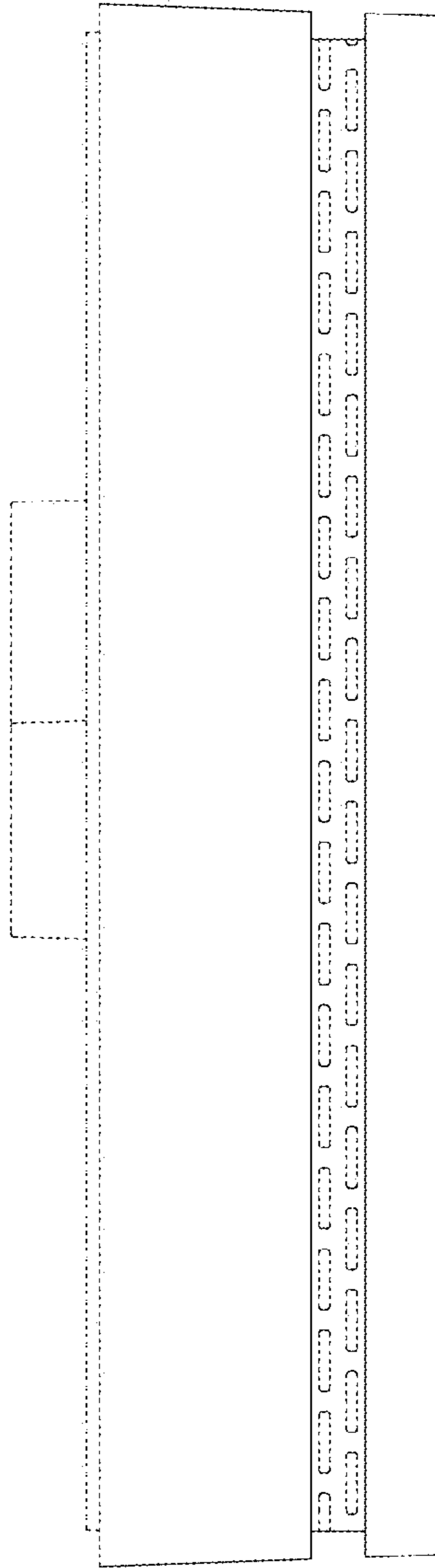


FIG. 10

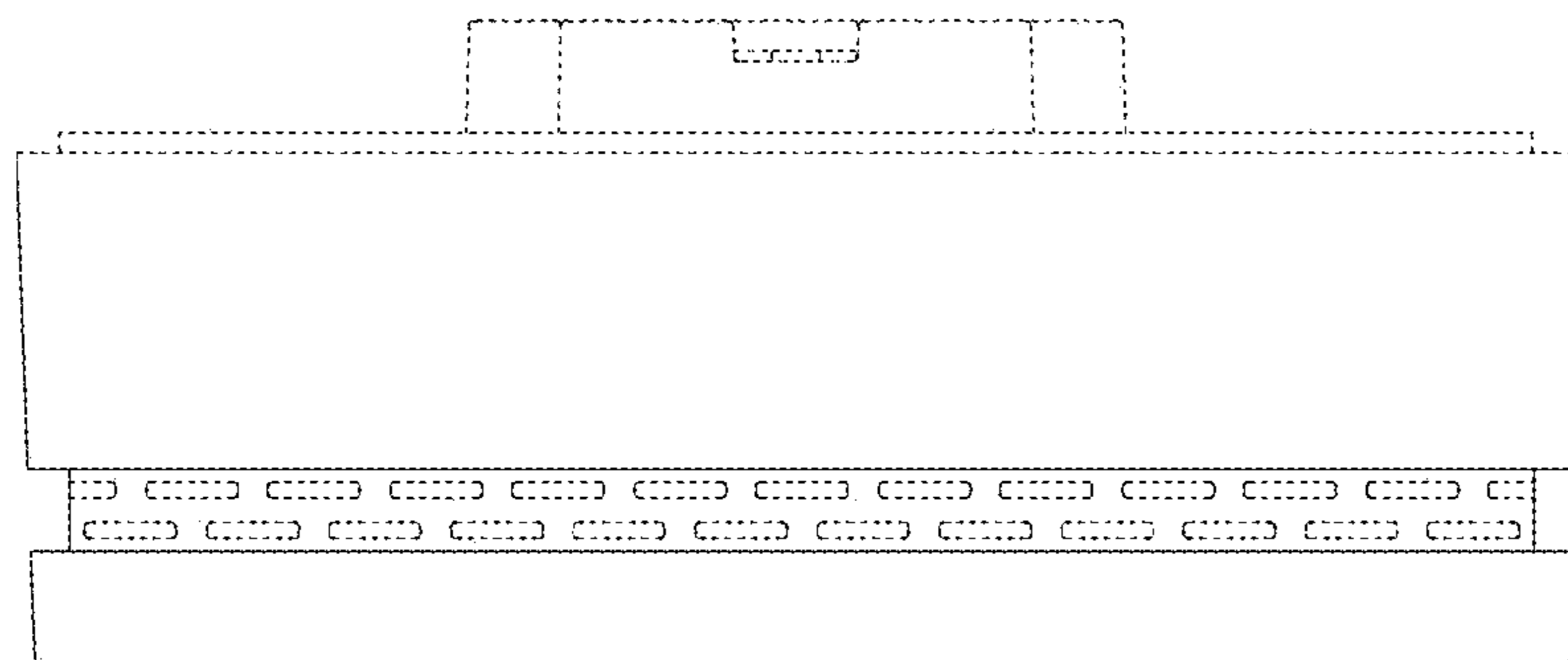


FIG. 11

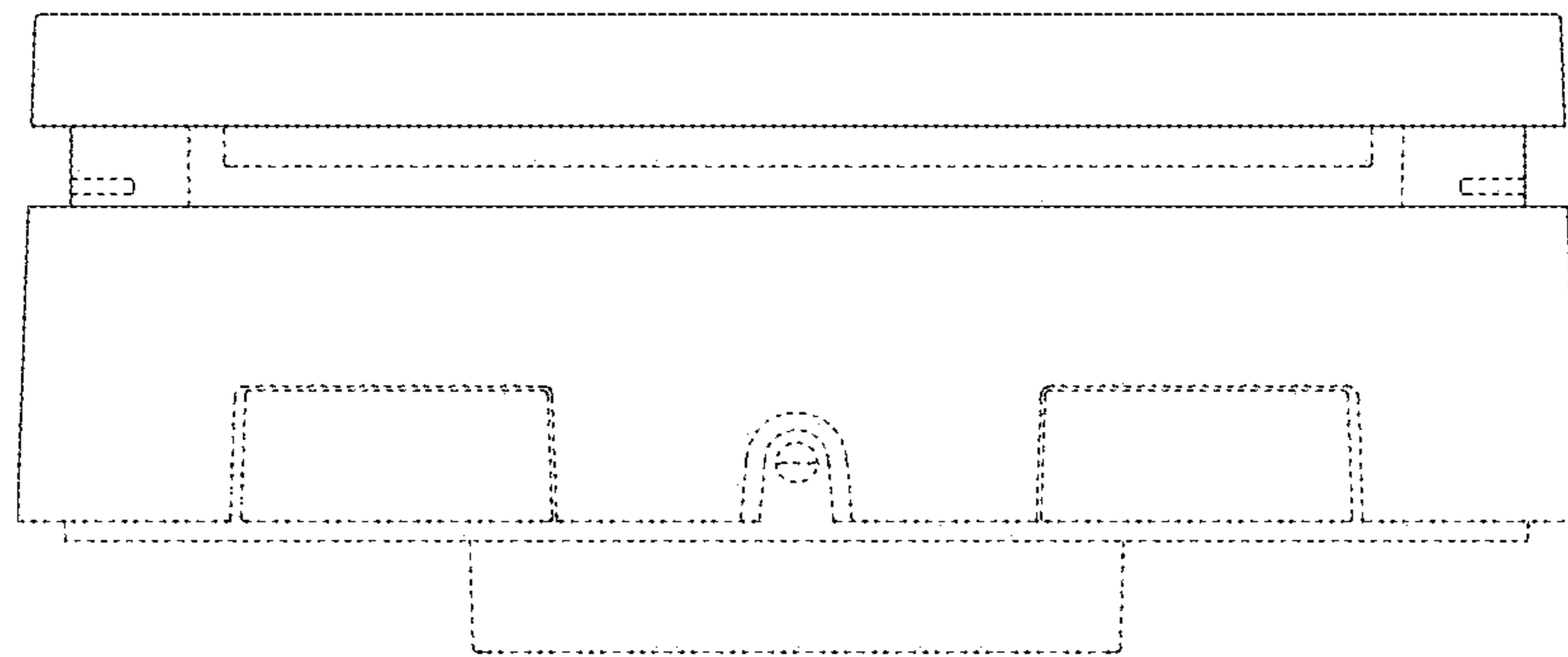


FIG. 12