



US00D743346S

(12) **United States Design Patent**
Hagarty

(10) **Patent No.:** **US D743,346 S**

(45) **Date of Patent:** **** Nov. 17, 2015**

(54) **JUNCTION BOX WITH CABLE KEEPERS**

6,379,166 B1 4/2002 Hagarty
6,384,334 B1 5/2002 Webb
D468,697 S * 1/2003 Straub, Jr. D13/152
D493,695 S 8/2004 Wengrower

(Continued)

(71) Applicant: **RANDL Industries, Inc.**, Spokane Valley, WA (US)

(72) Inventor: **Robert J. Hagarty**, Spokane, WA (US)

(73) Assignee: **RANDL INDUSTRIES, INC.**, Spokane Valley, WA (US)

Hagarty, R.J., "Plaster Ring," U.S. Appl. No. 29/447,297, filed Mar. 1, 2013.

(**) Term: **14 Years**

(Continued)

(21) Appl. No.: **29/514,286**

Primary Examiner — Holly Baynham

Assistant Examiner — Rhea Shields

(22) Filed: **Jan. 9, 2015**

(74) *Attorney, Agent, or Firm* — Christensen O'Connor Johnson Kindness PLLC

OTHER PUBLICATIONS

Related U.S. Application Data

(60) Division of application No. 29/491,788, filed on May 23, 2014, now Pat. No. Des. 723,473, which is a continuation-in-part of application No. 29/486,897, filed on Apr. 3, 2014, now Pat. No. Des. 722,977, and a continuation-in-part of application No. 29/487,306, filed on Apr. 7, 2014, now Pat. No. Des. 722,978.

(57) **CLAIM**

The ornamental design for a junction box with cable keepers, as shown.

(51) **LOC (10) Cl.** **13-03**

(52) **U.S. Cl.**
USPC **D13/152**

DESCRIPTION

(58) **Field of Classification Search**
USPC D13/152, 153, 155, 156, 137.1, 137.4, D13/139.3, 139.2, 133, 184; 220/3.2, 3.3, 220/3.4-3.9, 3.92, 3.94; 174/58, 50.56, 51; 439/675, 668, 623
See application file for complete search history.

FIG. 1 is a perspective view of a junction box with cable keepers in accordance with the present design;
FIG. 2 is a front view of the junction box with cable keepers shown in FIG. 1;
FIG. 3 is a rear view of the junction box with cable keepers shown in FIG. 1;
FIG. 4 is a plan view of the junction box with cable keepers shown in FIG. 1;
FIG. 5 is a bottom view of the junction box with cable keepers shown in FIG. 1;
FIG. 6 is a left side view of the junction box with cable keepers shown in FIG. 1; and,
FIG. 7 is a right side view of the junction box with cable keepers shown in FIG. 1.

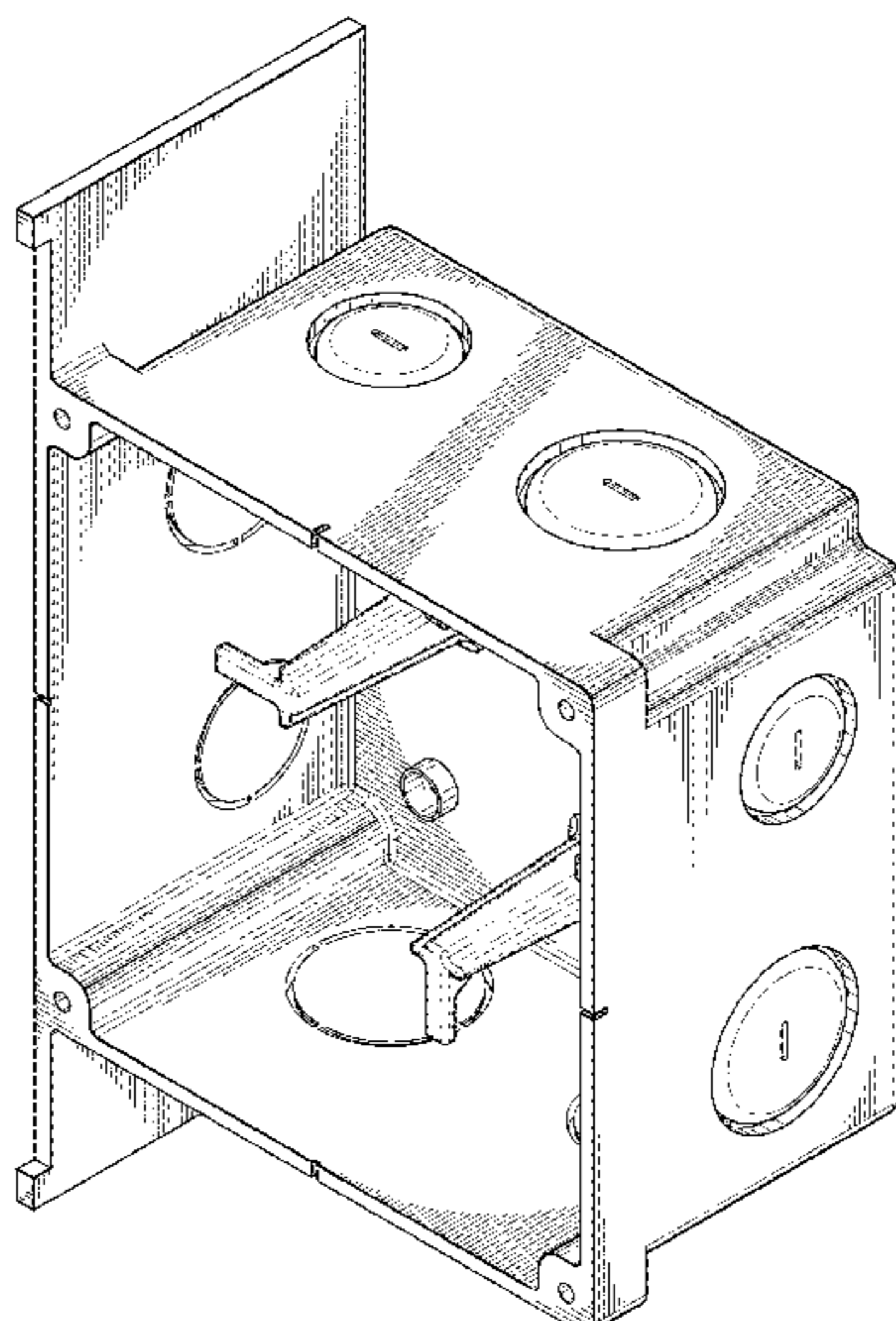
(56) **References Cited**

U.S. PATENT DOCUMENTS

3,023,920 A * 3/1962 Cook et al. 220/3.6
4,790,505 A 12/1988 Rose
D342,938 S 1/1994 Cheatham
D379,622 S 6/1997 Lynn
6,066,803 A 5/2000 Hagarty
6,103,972 A 8/2000 Hagarty

The broken line showing of structure in the interior of the junction box in FIG. 2, and the circles in the upper and lower portions of FIG. 6, are for the purpose of illustrating connection features and form no part of the claimed design.

1 Claim, 6 Drawing Sheets



(56)

References Cited

U.S. PATENT DOCUMENTS

6,858,802 B2 2/2005 Hagarty
D539,751 S * 4/2007 Kiely et al. D13/152
D540,654 S 4/2007 Aubert Capella
7,271,336 B2 9/2007 Dinh
D555,108 S 11/2007 Strong
D595,659 S * 7/2009 Maurer et al. D13/152
D601,096 S * 9/2009 Vigorito et al. D13/152
8,253,040 B2 8/2012 Hopkins
D676,814 S * 2/2013 Paul D13/152
D677,634 S * 3/2013 Korcz et al. D13/152

D679,252 S * 4/2013 Wagner et al. D13/152
D684,935 S * 6/2013 DeCosta D13/152
D698,737 S 2/2014 Hagarty
D702,198 S * 4/2014 Gretz D13/184
D707,635 S 6/2014 Hagarty
D719,528 S 12/2014 Hagarty

OTHER PUBLICATIONS

Hagarty, R.J., "Plaster Ring With Wide Flange," U.S. Appl. No. 29/471,962, filed Nov. 6, 2013.

* cited by examiner

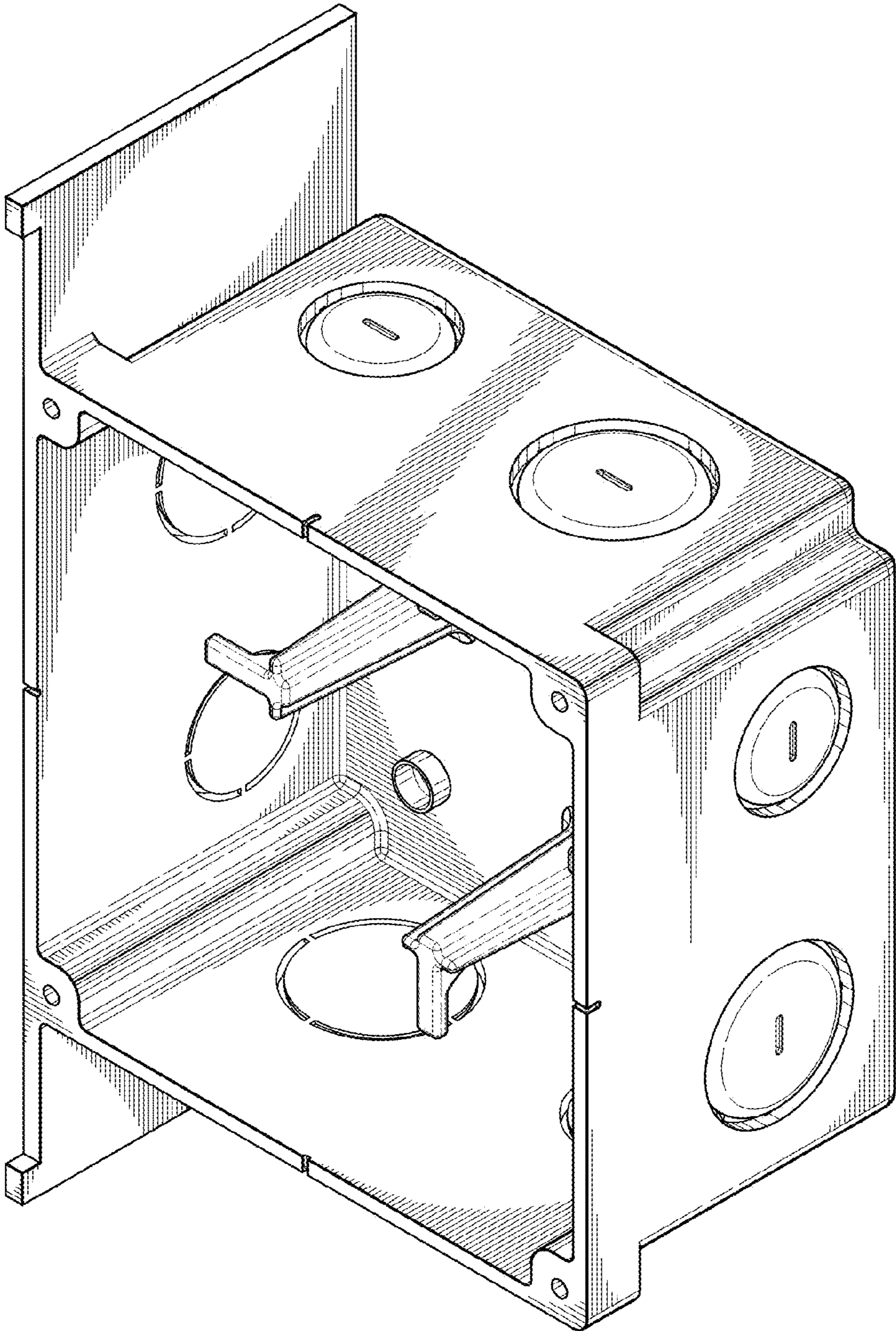


Fig. 1.

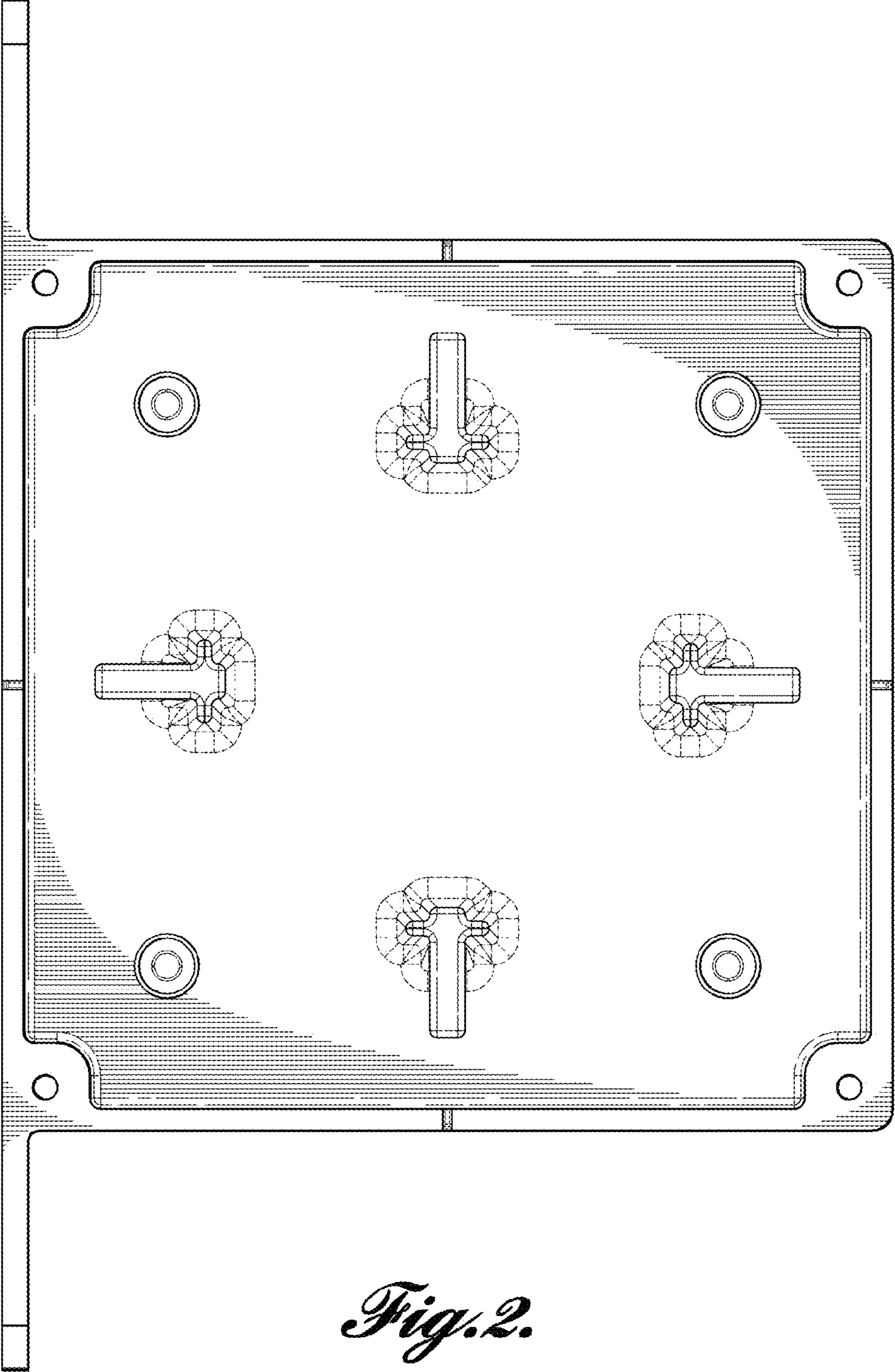


Fig. 2.

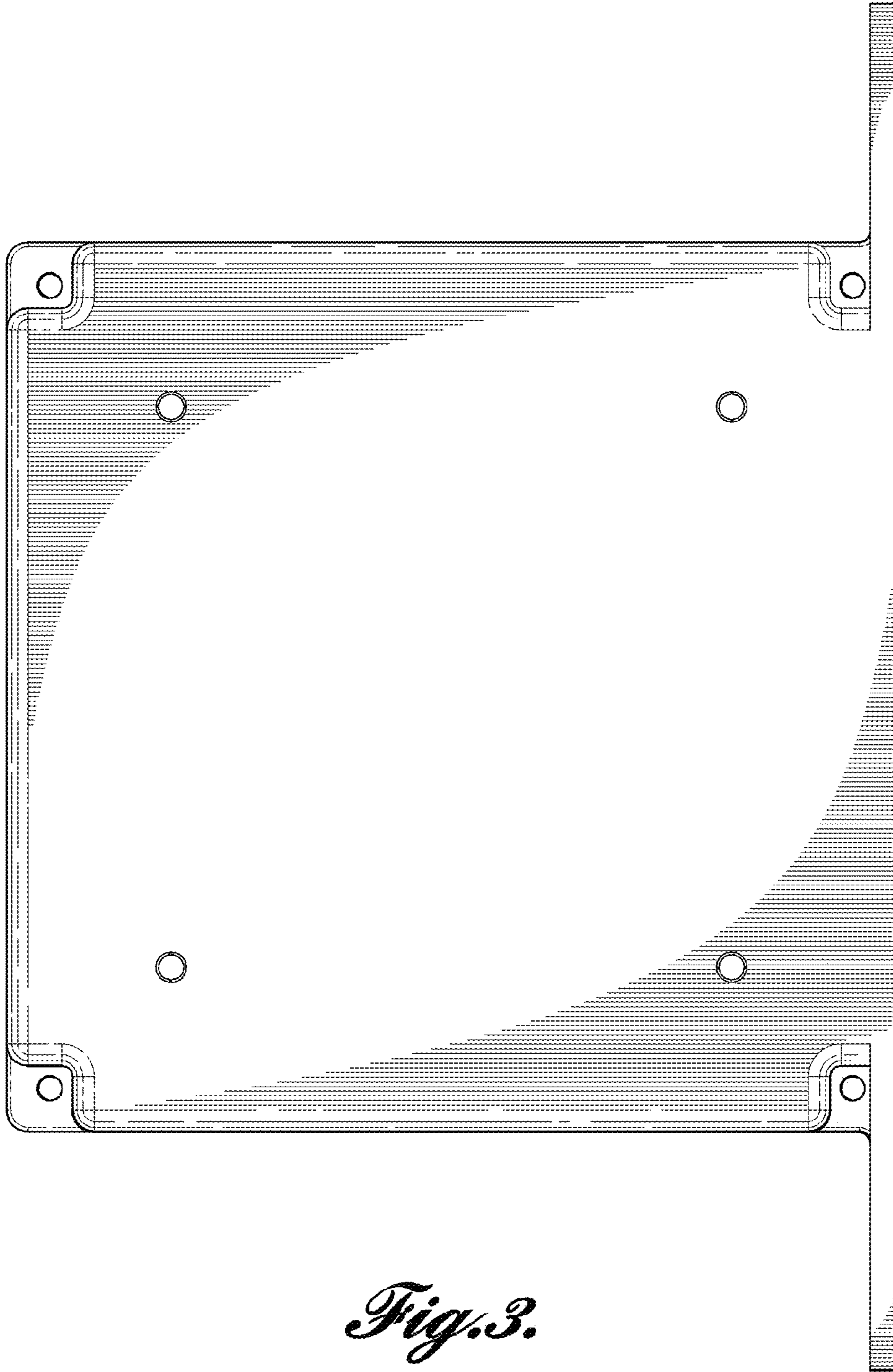


Fig. 3.

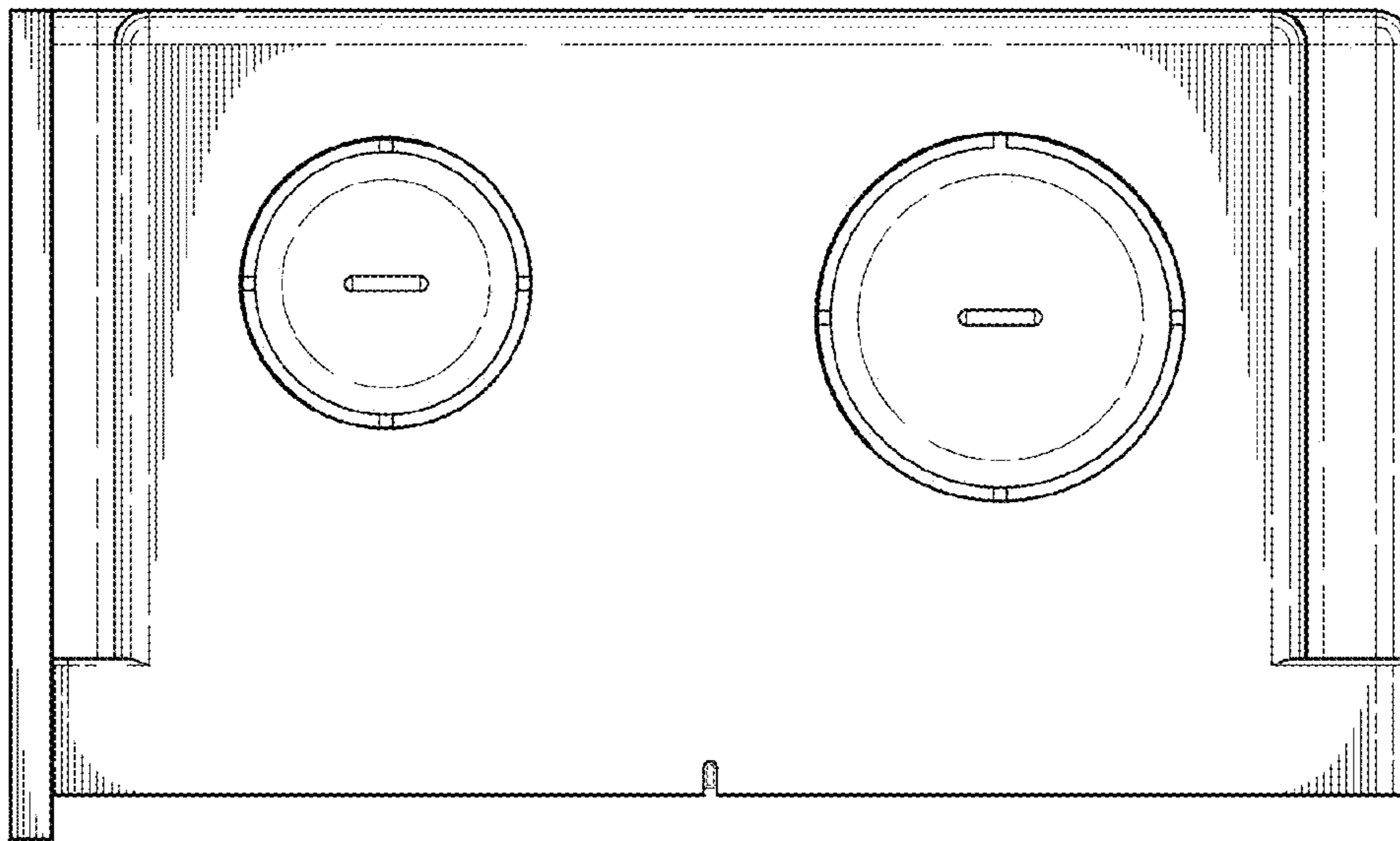


Fig. 4.

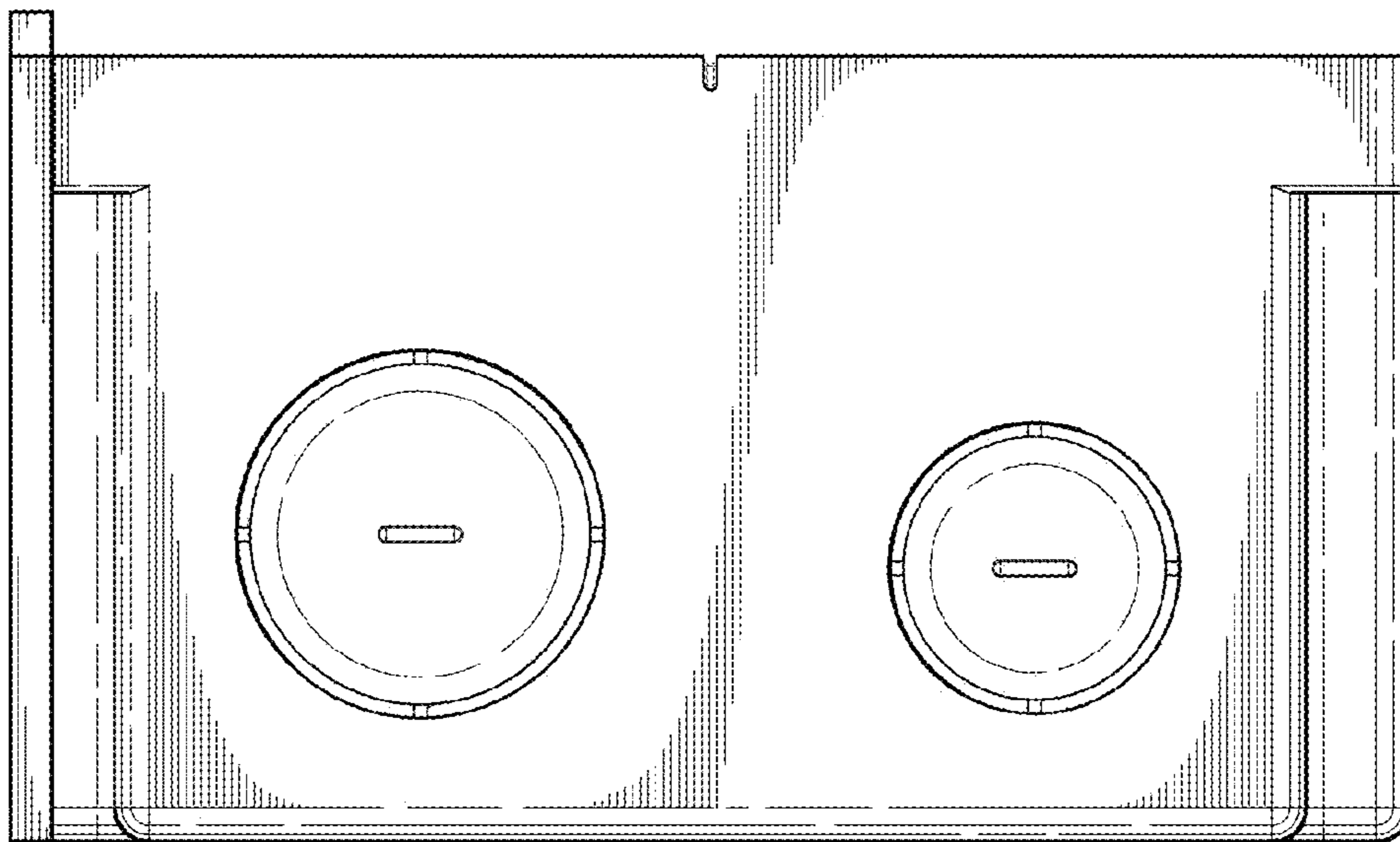


Fig. 5.

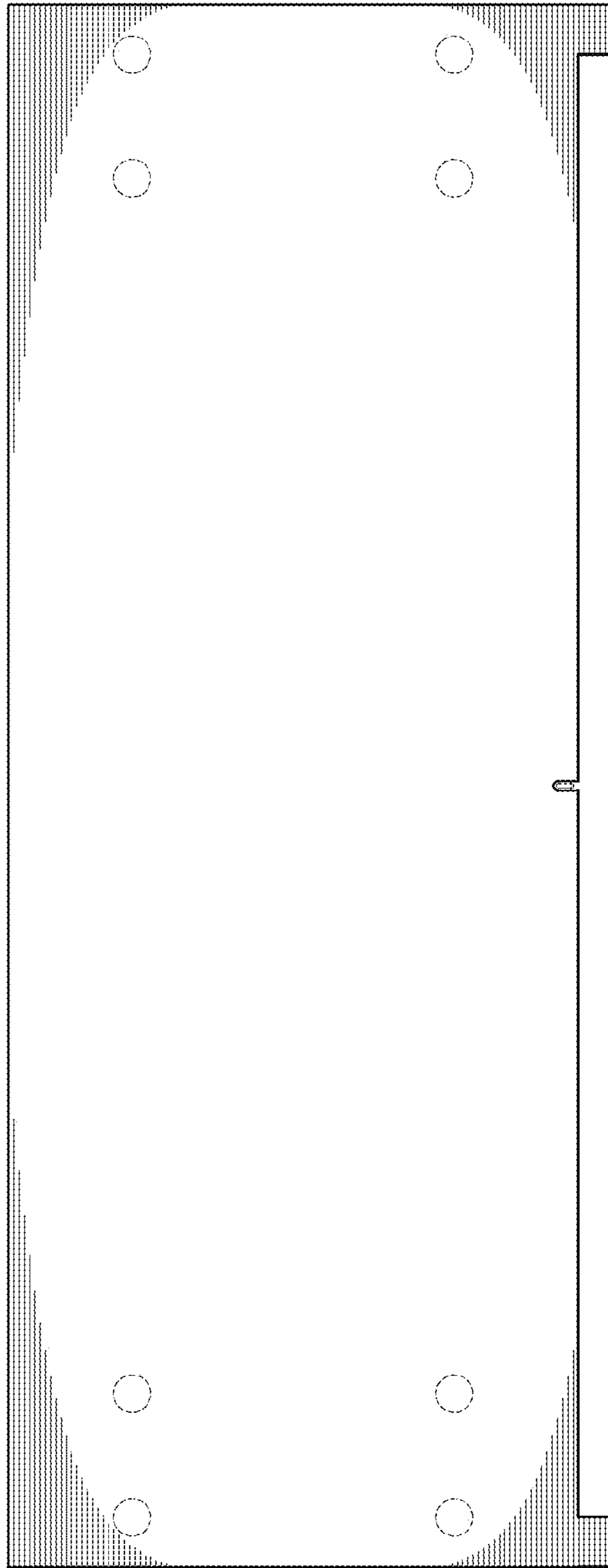


Fig. 6.

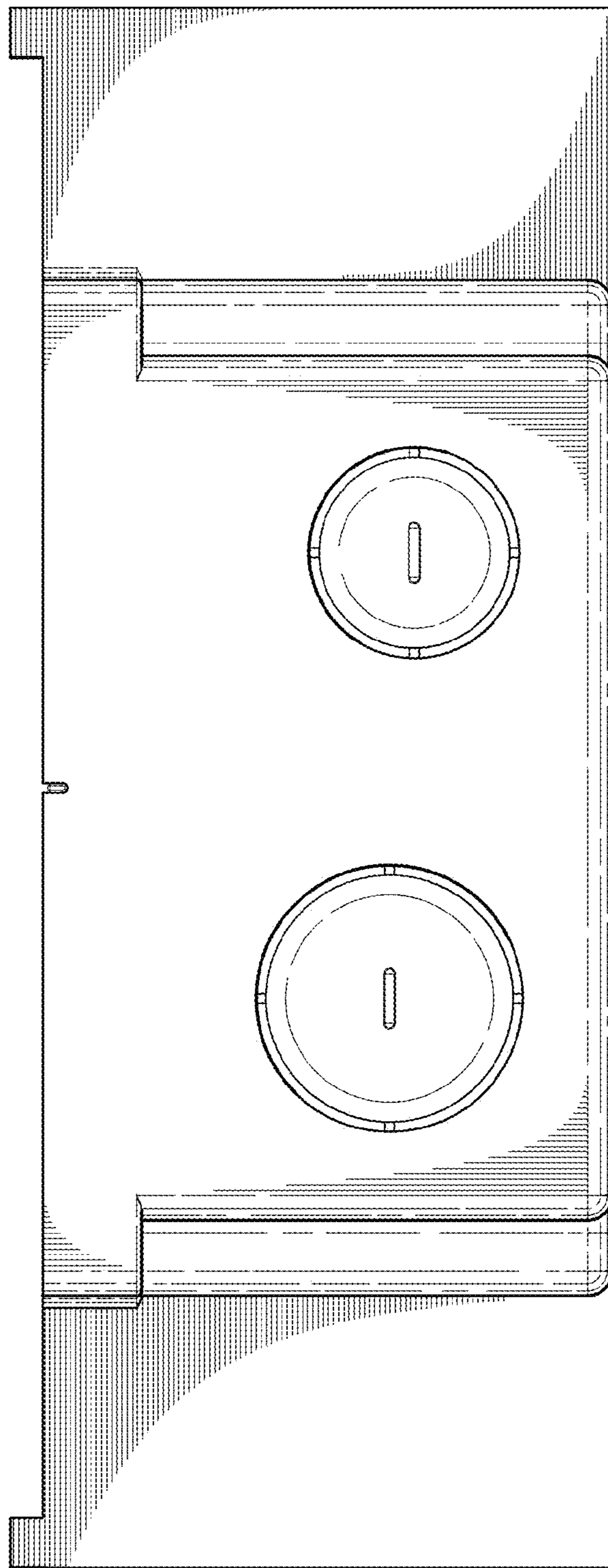


Fig. 7.