



US00D743344S

(12) **United States Design Patent**
Kobuchi et al.

(10) **Patent No.:** **US D743,344 S**

(45) **Date of Patent:** **** Nov. 17, 2015**

(54) **ELECTRICAL CONNECTOR**

D696,201 S 12/2013 Takenaga et al.
D703,146 S 4/2014 Takenaga et al.
D722,974 S * 2/2015 Ueda D13/147

(71) Applicant: **Japan Aviation Electronics Industry, Limited**, Tokyo (JP)

* cited by examiner

(72) Inventors: **Toshiro Kobuchi**, Tokyo (JP); **Yoshinori Honma**, Tokyo (JP); **Takayuki Nishimura**, Tokyo (JP); **Hiroaki Obikane**, Tokyo (JP)

Primary Examiner — Daniel Bui
(74) *Attorney, Agent, or Firm* — Cermak Nakajima & McGowan LLP; Tomoko Nakajima

(73) Assignee: **Japan Aviation Electronics Industry, Limited**, Tokyo (JP)

(57) **CLAIM**
The ornamental design for an electrical connector, as shown and described.

(**) Term: **14 Years**

(21) Appl. No.: **29/521,448**

(22) Filed: **Mar. 24, 2015**

(30) **Foreign Application Priority Data**

Oct. 10, 2014 (JP) 2014-022761

(51) **LOC (10) Cl.** **13-03**

(52) **U.S. Cl.**
USPC **D13/147**

(58) **Field of Classification Search**
USPC D13/133, 146, 147, 154, 184, 199
See application file for complete search history.

(56) **References Cited**

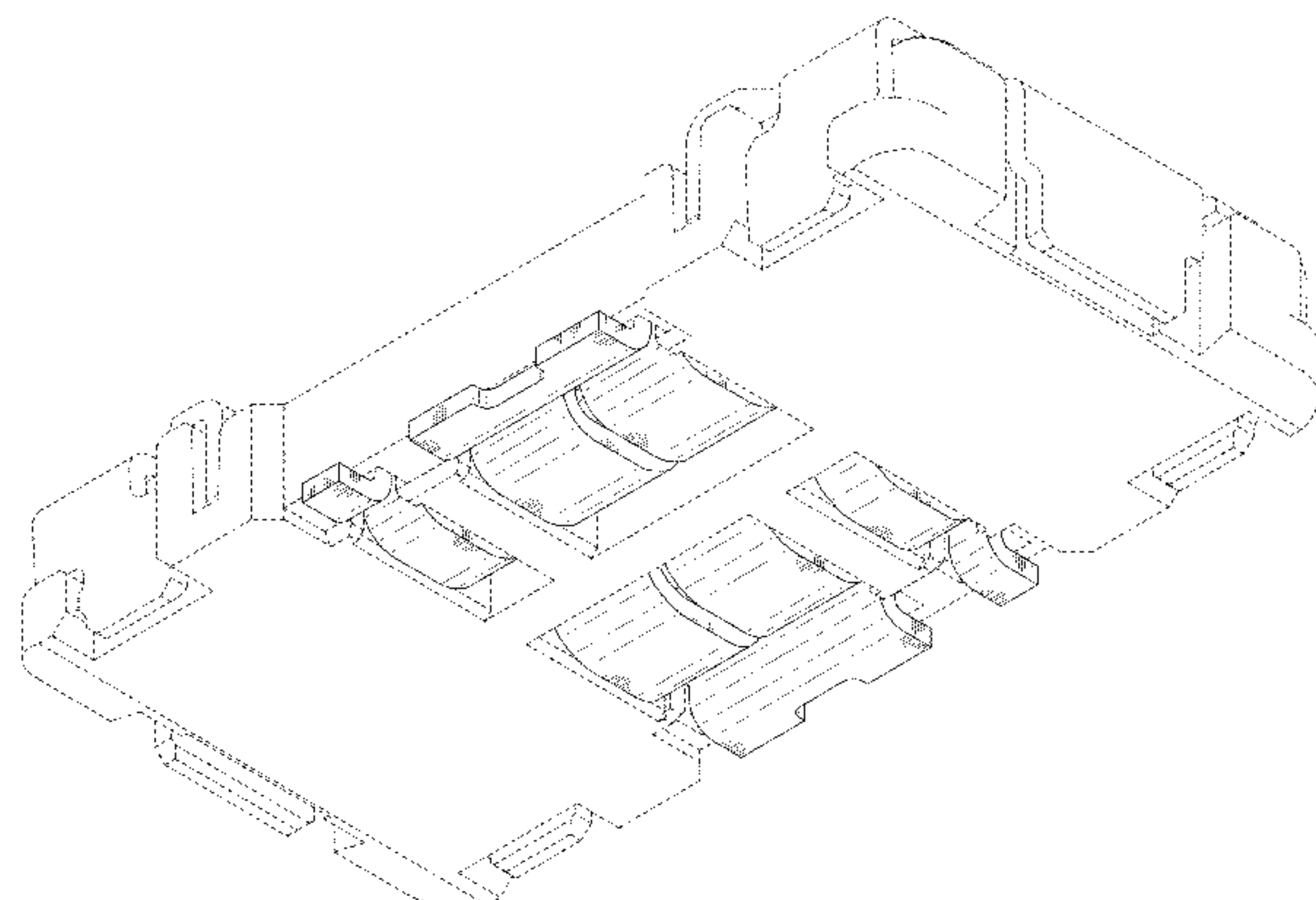
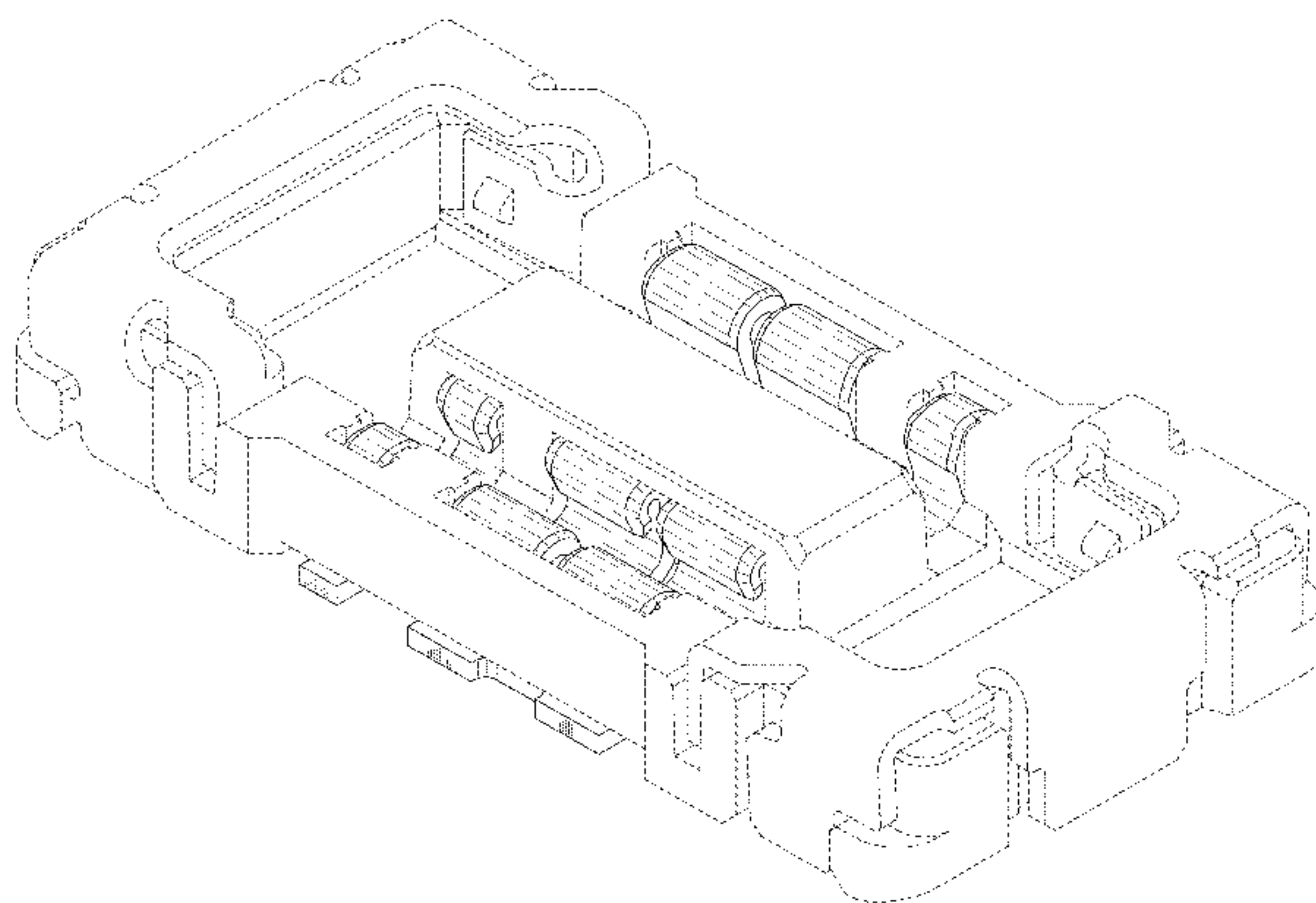
U.S. PATENT DOCUMENTS

D603,801 S * 11/2009 Obikane D13/147
D642,986 S * 8/2011 Nishimura D13/147
D692,833 S 11/2013 Nishimura et al.
D695,691 S 12/2013 Kobuchi et al.

DESCRIPTION

FIG. 1 is a front elevational view of an electrical connector showing our new design;
FIG. 2 is a top plan view thereof;
FIG. 3 is a right side elevational view thereof;
FIG. 4 is a left side elevational view thereof;
FIG. 5 is a rear elevational view thereof;
FIG. 6 is a bottom plan view thereof;
FIG. 7 is a front and top perspective view thereof;
FIG. 8 is a front and bottom perspective view thereof;
FIG. 9 is a cross sectional view thereof taken along the line 9-9 shown in FIG. 2;
FIG. 10 is a cross sectional view thereof taken along the line 10-10 shown in FIG. 2; and,
FIG. 11 is a cross sectional view thereof taken along the line 11-11 shown in FIG. 2.
The broken line shown in the figure drawings is included for the purpose of illustrating unclaimed environment and forms no part of the claimed design.

1 Claim, 11 Drawing Sheets



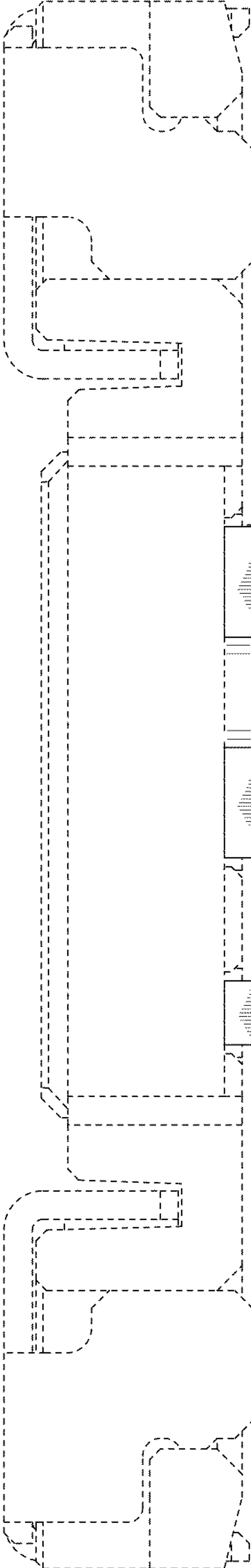


FIG.1

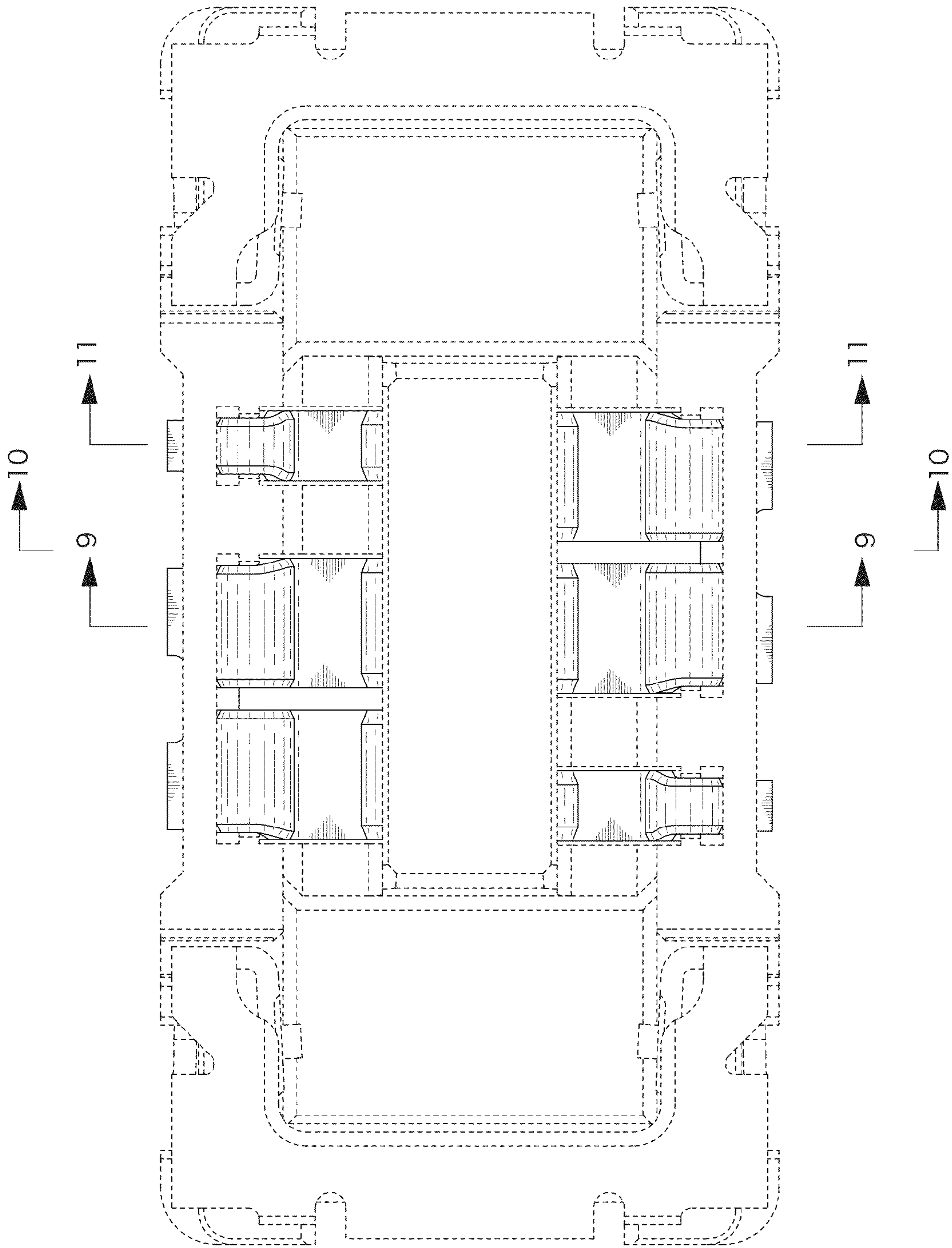


FIG.2

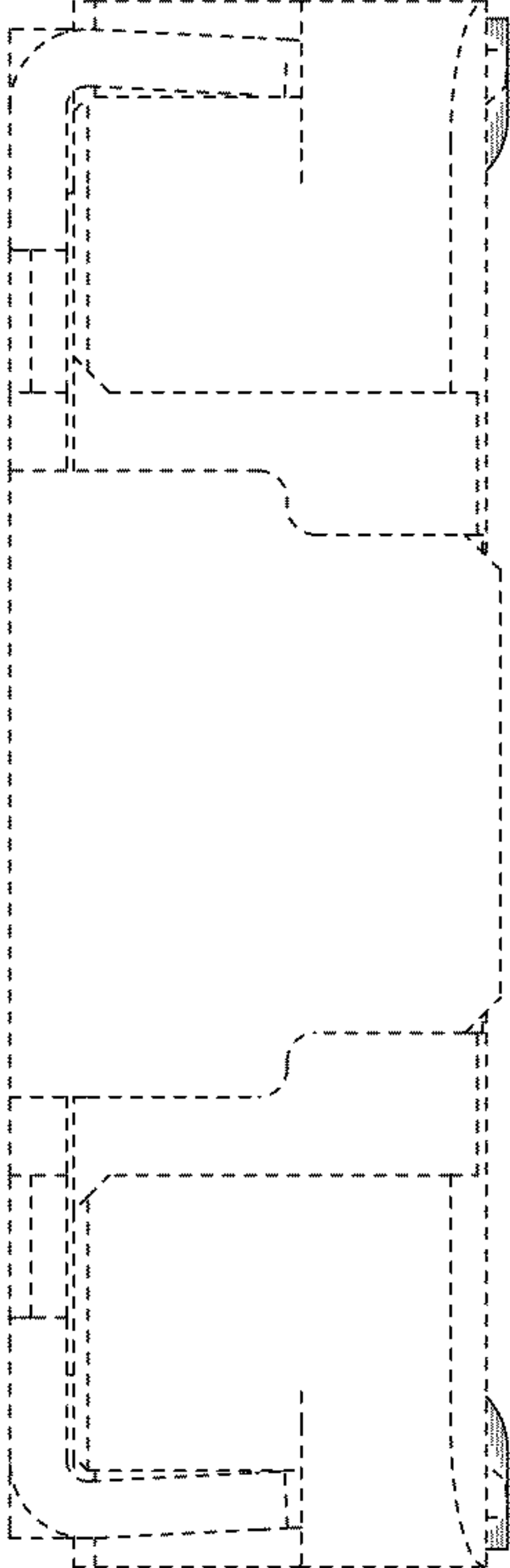


FIG.3

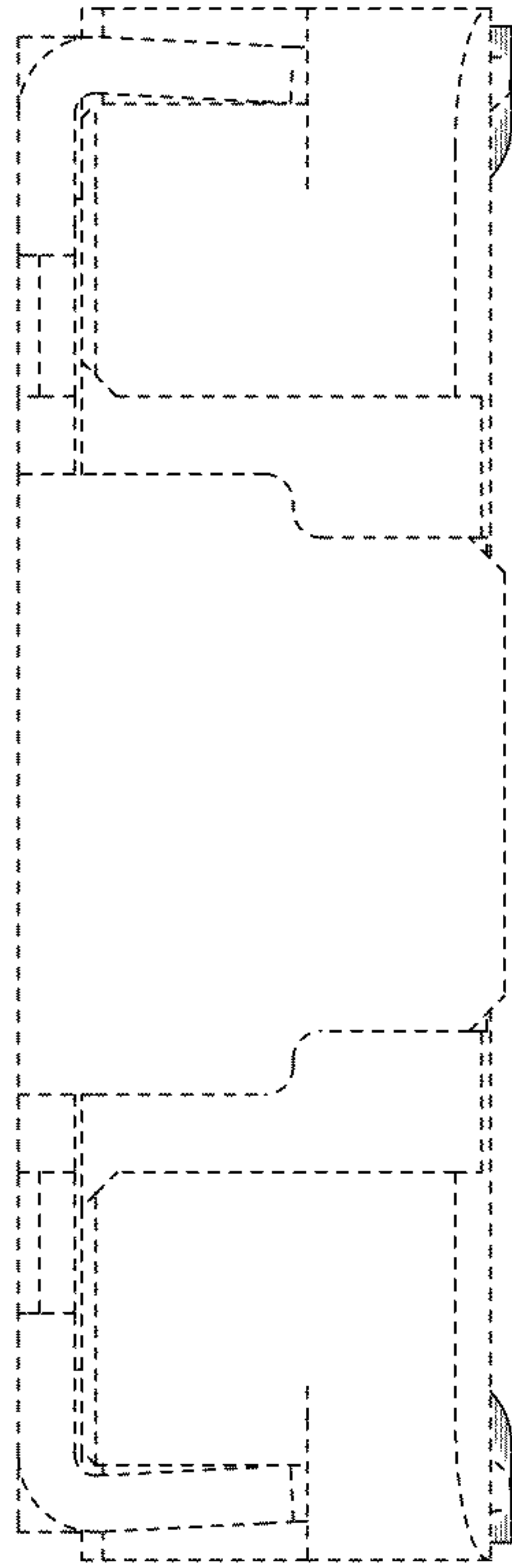


FIG.4

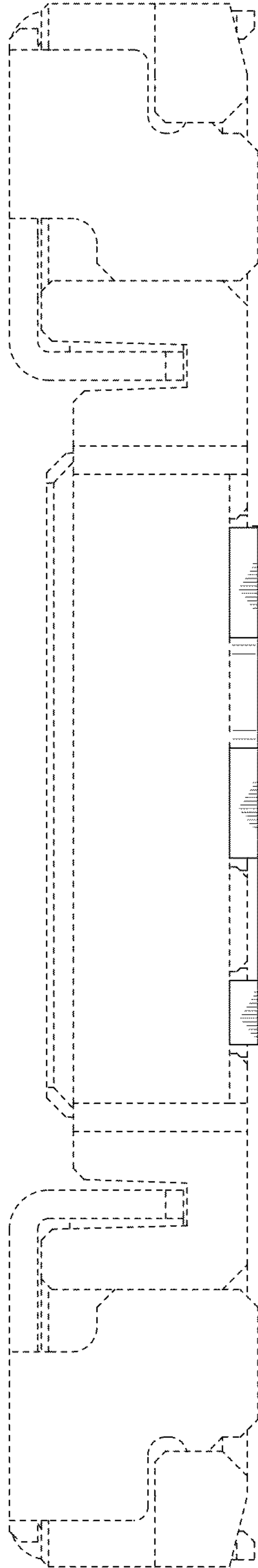


FIG.5

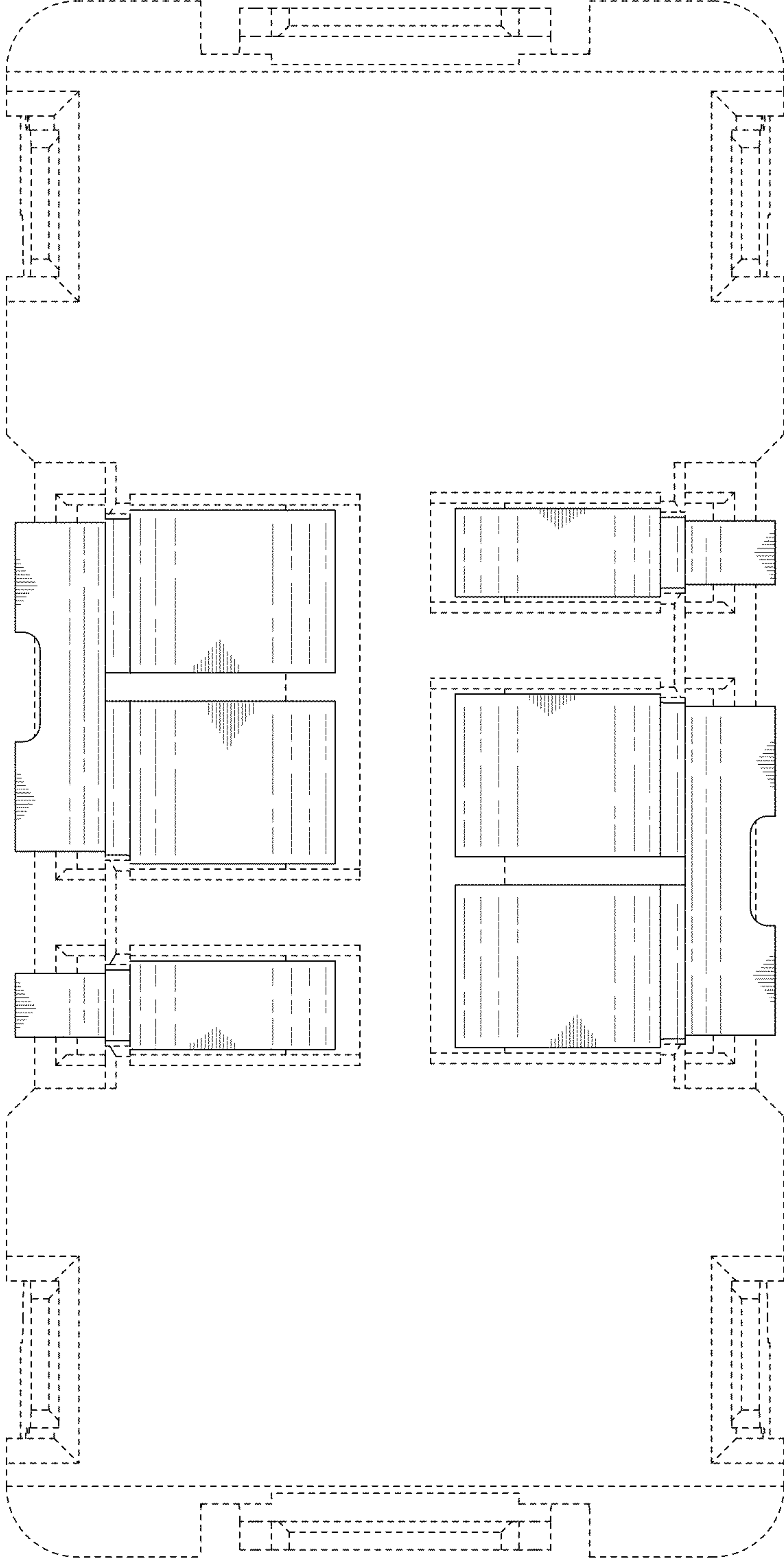


FIG.6

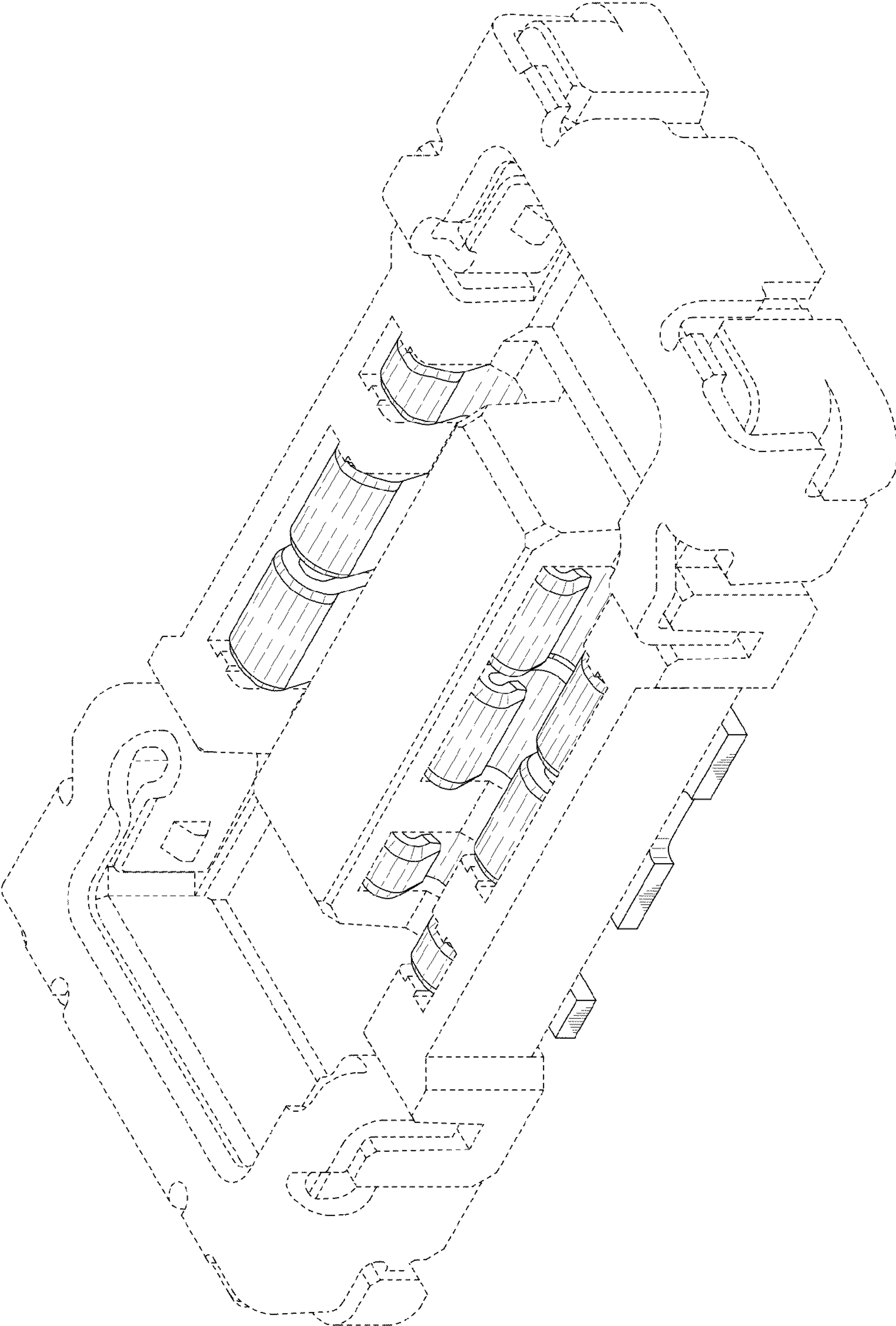


FIG.7

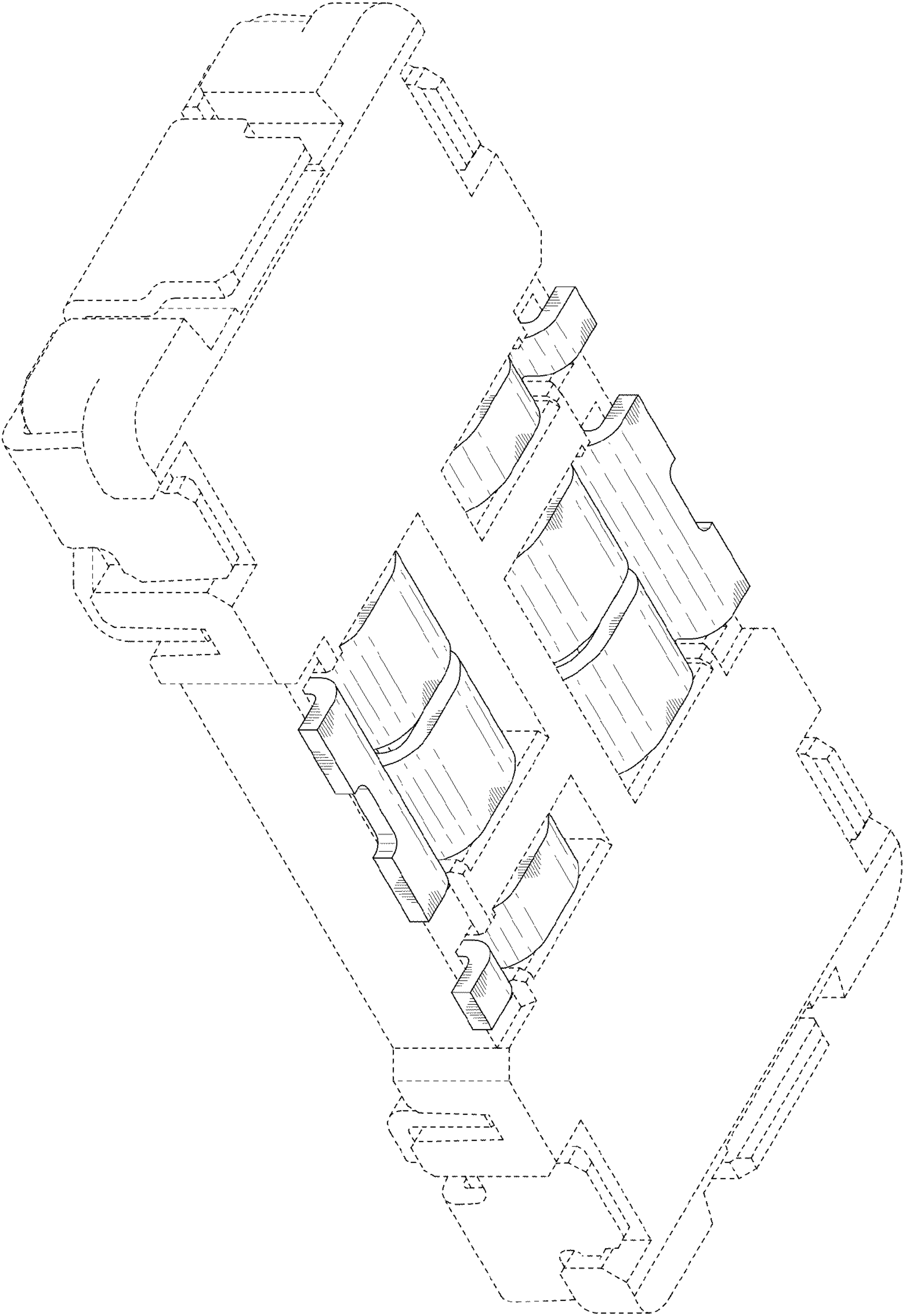


FIG.8

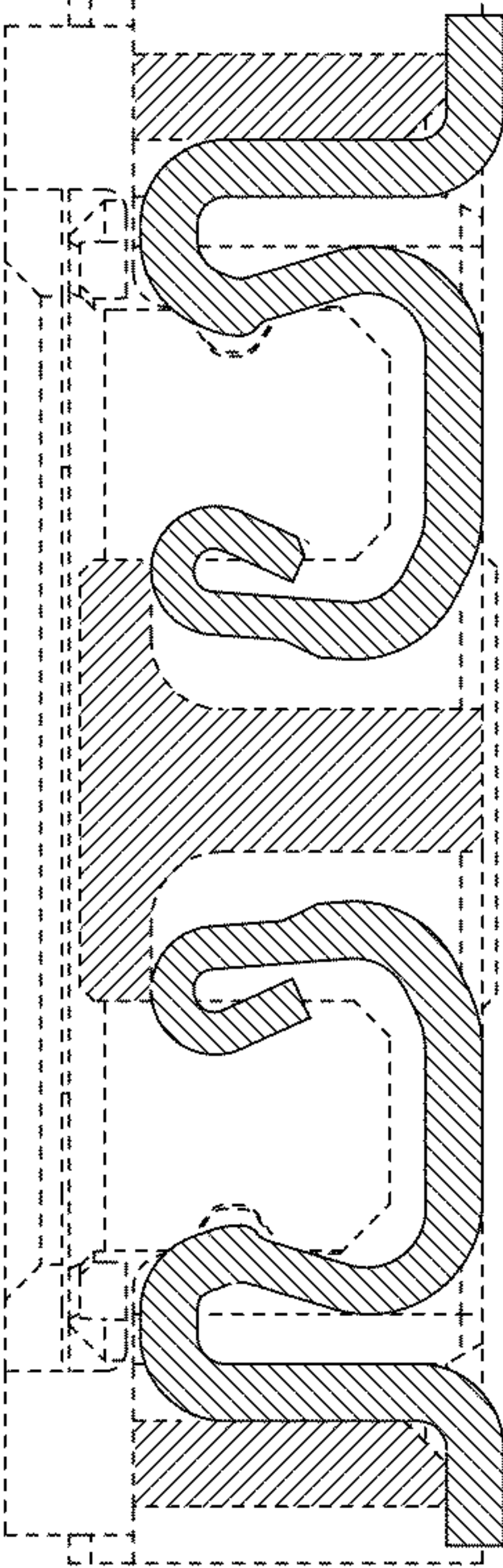


FIG.9

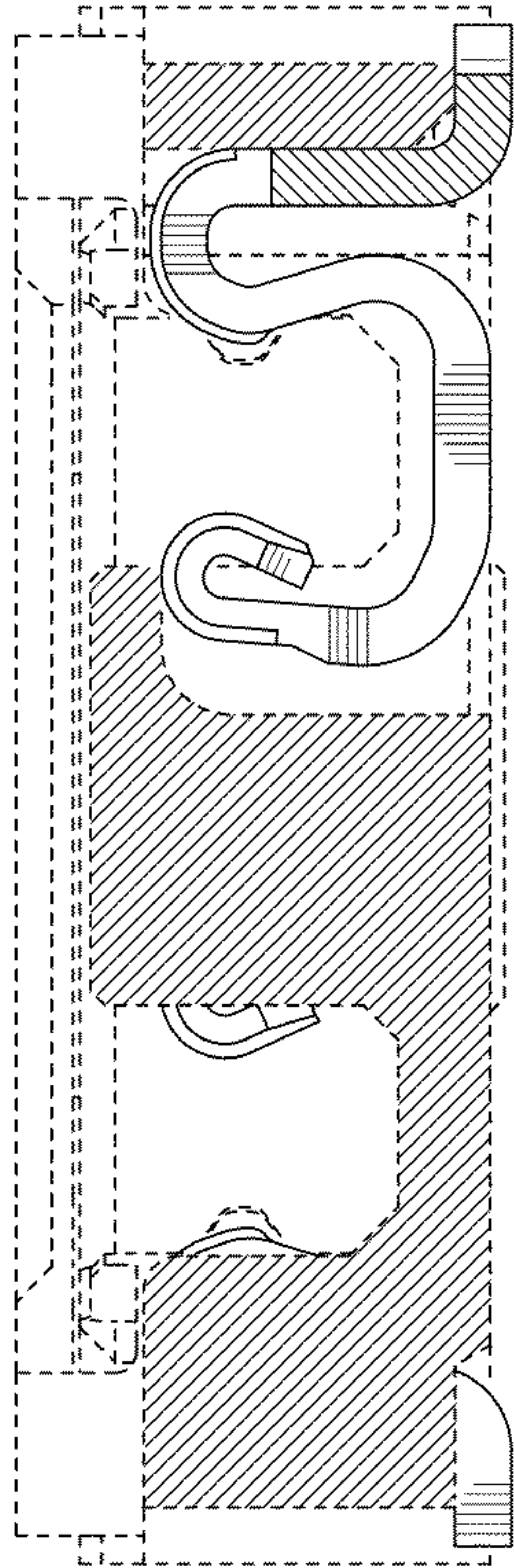


FIG.10

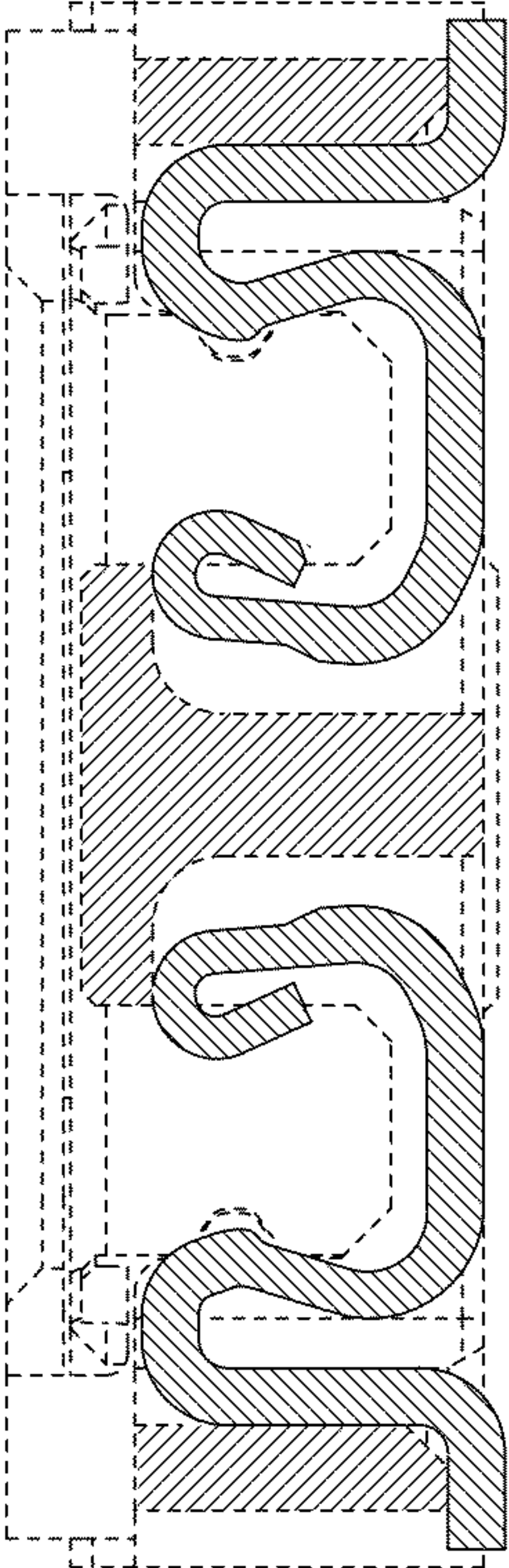


FIG.11