



US00D743343S

(12) **United States Design Patent**
Kreitzer et al.

(10) **Patent No.:** **US D743,343 S**

(45) **Date of Patent:** **** Nov. 17, 2015**

(54) **RECEPTACLE FOR ACCESSORY-HOST INTERFACE**

(71) Applicant: **Tektronix, Inc.**, Beaverton, OR (US)

(72) Inventors: **Robert R. Kreitzer**, Tigard, OR (US);
Kenneth P. Dobyns, Beaverton, OR (US);
Kevin C. Ayers, Beaverton, OR (US);
J. Steven Lyford, Portland, OR (US)

(73) Assignee: **TEKTRONIX, INC.**, Beaverton, OR (US)

(**) Term: **14 Years**

(21) Appl. No.: **29/521,095**

(22) Filed: **Mar. 19, 2015**

Related U.S. Application Data

(62) Division of application No. 29/509,914, filed on Nov. 21, 2014.

(51) **LOC (10) Cl.** **13-03**

(52) **U.S. Cl.**
USPC **D13/147; D10/80; D13/133; D14/433**

(58) **Field of Classification Search**
USPC D10/76, 80, 103; D13/133, 147, 154,
D13/184, 199; D14/217, 356, 358, 369,
D14/383, 385, 432, 433, 439, 440, 447, 454
CPC G01R 31/31915; G01R 31/318516;
G06F 13/385; G02B 6/4292; G02B 6/4416;
G02B 6/4246; G02B 6/3817; G02B 6/4249
See application file for complete search history.

(56) **References Cited**

U.S. PATENT DOCUMENTS

D643,841 S *	8/2011	Lyford et al.	D14/433
D649,971 S *	12/2011	Lyford et al.	D14/433
D682,787 S	5/2013	Lyford et al.		
D684,928 S	6/2013	Kreitzer et al.		
D689,437 S	9/2013	Lyford et al.		
D697,480 S *	1/2014	Lyford et al.	D13/133
D721,036 S	1/2015	Kreitzer		
D721,606 S *	1/2015	Mayr	D10/103

* cited by examiner

Primary Examiner — Antoine D Davis

(74) *Attorney, Agent, or Firm* — Marger Johnson

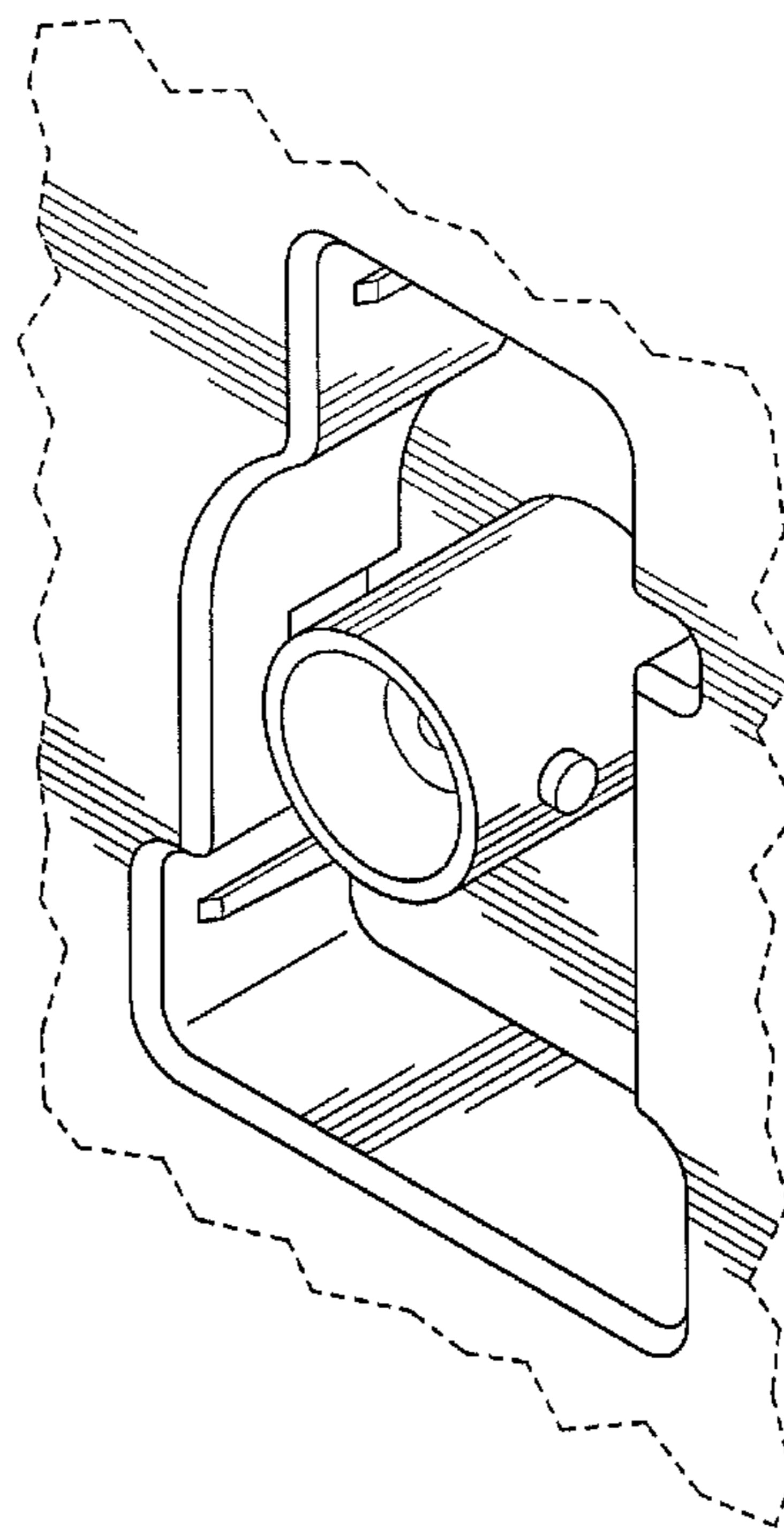
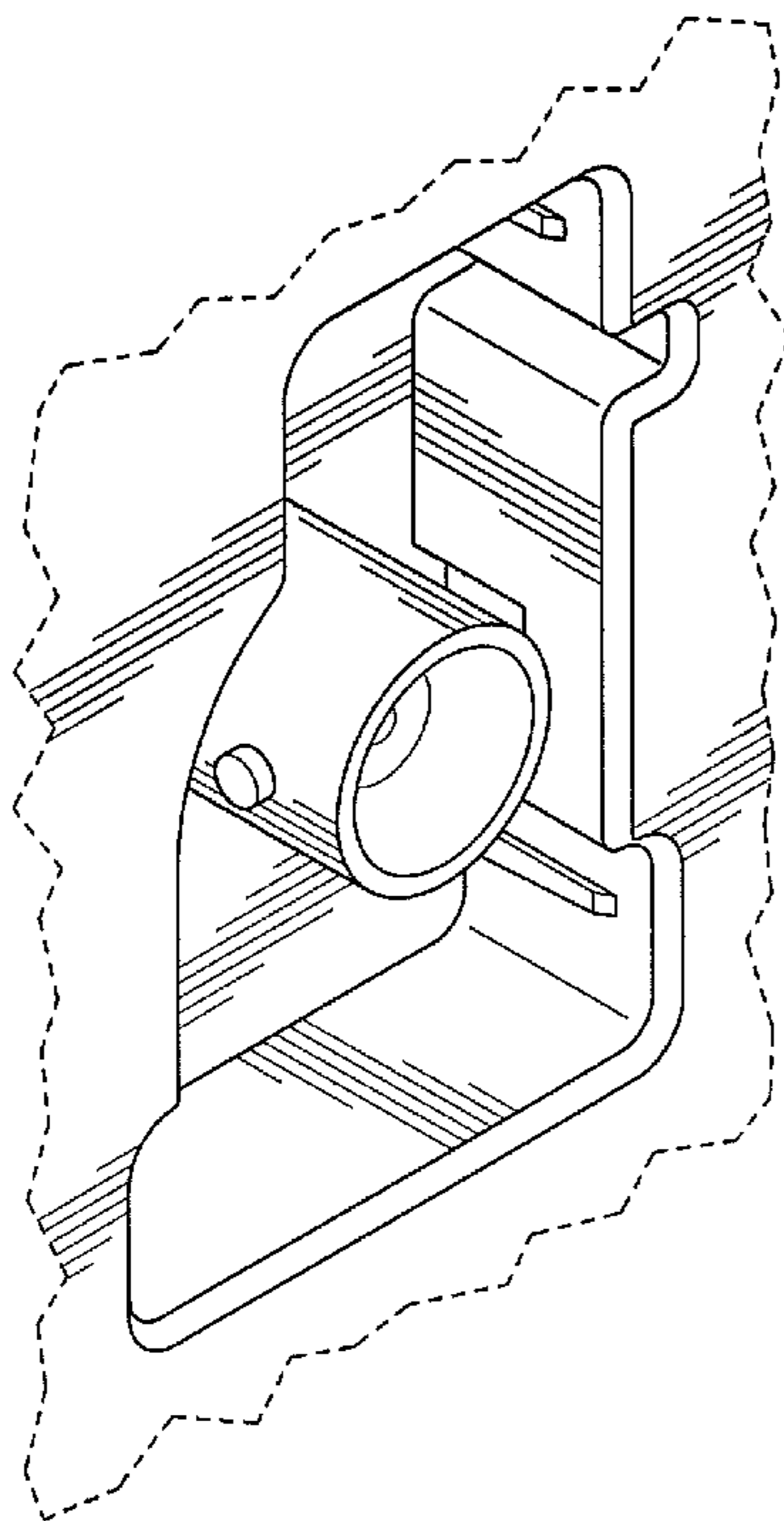
(57) **CLAIM**

The ornamental design for a receptacle for accessory-host interface, as illustrated and described.

DESCRIPTION

FIG. 1 is a left front perspective view of a measurement instrument embodying the present ornamental design of a probe interface;
FIG. 2 is a right front perspective view thereof; and,
FIG. 3 is front elevation view thereof.
The frame formed by the dotted broken line(s) define the bounds of the claimed design and form no part thereof.

1 Claim, 2 Drawing Sheets



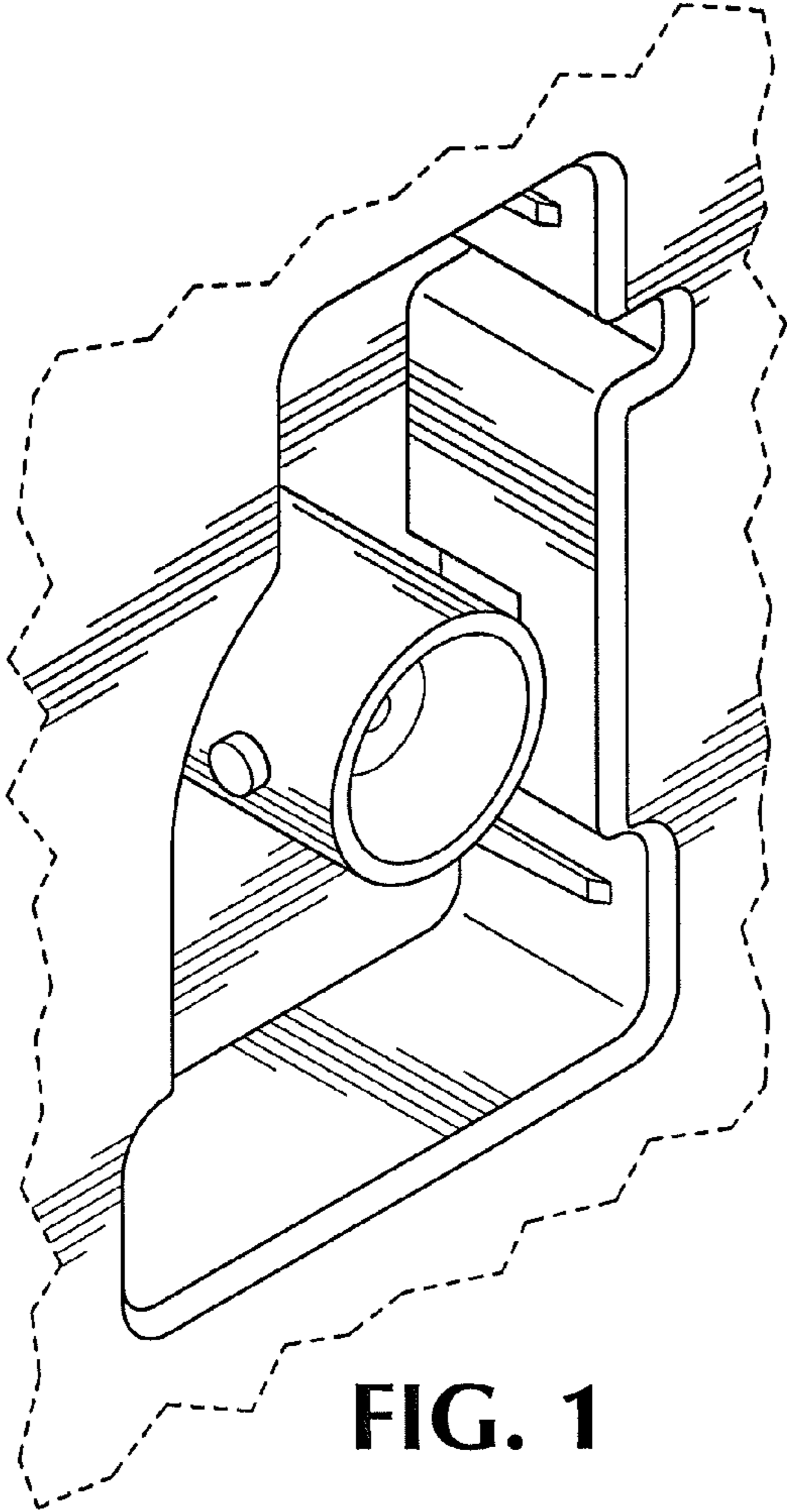


FIG. 1

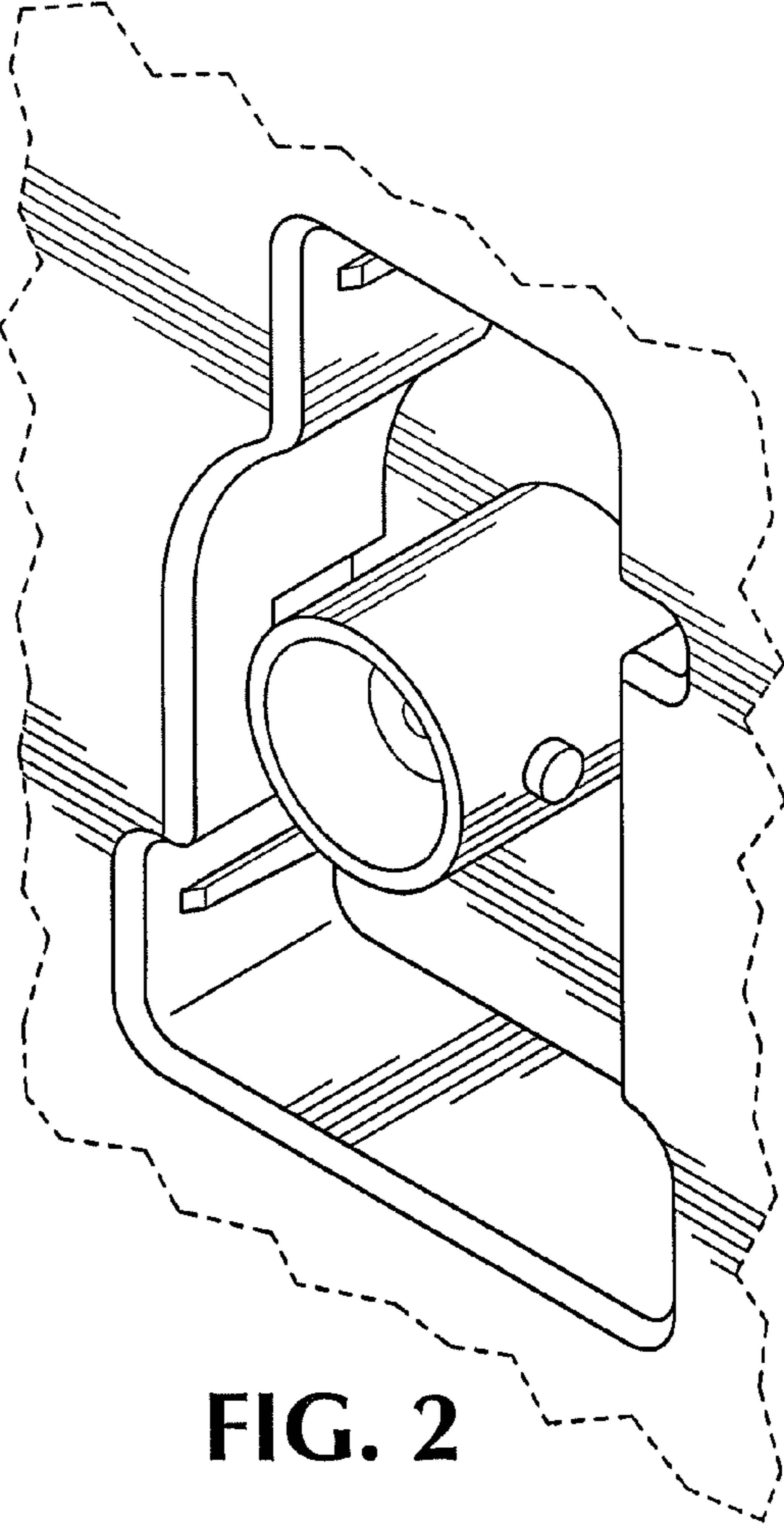


FIG. 2

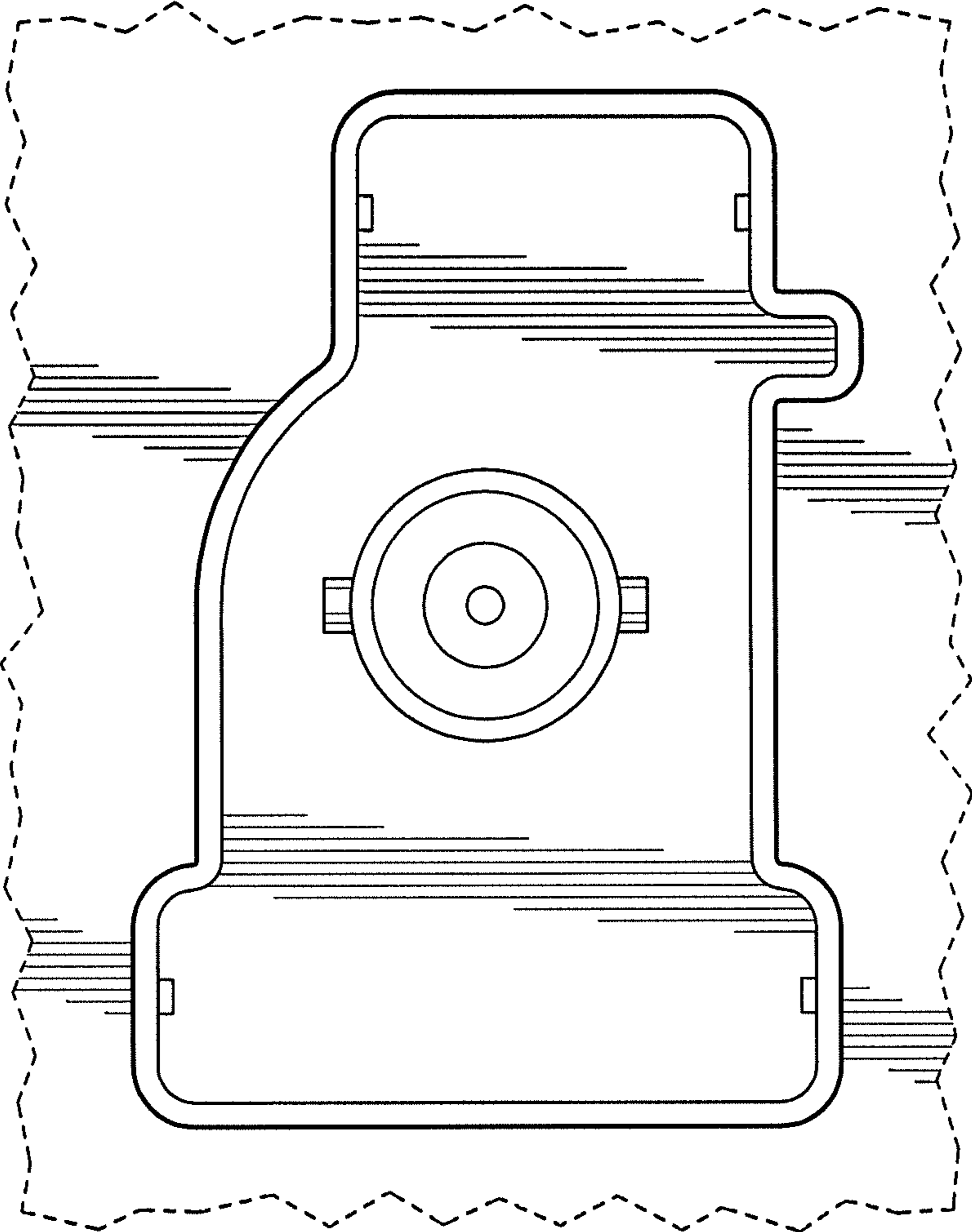


FIG. 3