



US00D743342S

(12) **United States Design Patent**
Sasano

(10) **Patent No.:** **US D743,342 S**

(45) **Date of Patent:** **** Nov. 17, 2015**

(54) **ELECTRIC CONNECTOR**

(71) Applicant: **OMRON Corporation**, Kyoto-shi,
Kyoto (JP)

(72) Inventor: **Naoya Sasano**, Hachioji (JP)

(73) Assignee: **OMRON Corporation**, Kyoto (JP)

(**) Term: **14 Years**

(21) Appl. No.: **29/514,470**

(22) Filed: **Jan. 13, 2015**

Related U.S. Application Data

(62) Division of application No. 29/454,066, filed on May 6, 2013, now Pat. No. Des. 730,839.

(30) **Foreign Application Priority Data**

Nov. 13, 2012 (JP) 2012-27719
Nov. 13, 2012 (JP) 2012-27720
Nov. 13, 2012 (JP) 2012-27721

(51) **LOC (10) Cl.** **13-03**

(52) **U.S. Cl.**
USPC **D13/147**

(58) **Field of Classification Search**
USPC D13/147, 154, 184, 199
See application file for complete search history.

(56) **References Cited**

U.S. PATENT DOCUMENTS

D162,795 S 4/1951 De Tar
4,801,277 A 1/1989 Seilhan

4,960,388 A 10/1990 Frantz et al.
D555,597 S 11/2007 Phung et al.
D580,371 S 11/2008 Farahani
D580,876 S 11/2008 Farahani
D580,877 S 11/2008 Farahani
D599,741 S 9/2009 Meldert et al.
D730,839 S * 6/2015 Sasano D13/147
2014/0141634 A1 5/2014 Sasano et al.

* cited by examiner

Primary Examiner — Daniel Bui

(74) *Attorney, Agent, or Firm* — Harness, Dickey & Pierce, P.L.C.

(57) **CLAIM**

The ornamental design for an electric connector, as shown and described.

DESCRIPTION

FIG. 1 is a top, front and left side perspective view of an electric connector showing my new design;
FIG. 2 is a top, rear and left side perspective view thereof;
FIG. 3 is a bottom, front and right side perspective view thereof;
FIG. 4 is a front elevational view thereof;
FIG. 5 is a rear elevational view thereof;
FIG. 6 is a left side elevational view thereof;
FIG. 7 is a right side elevational view thereof;
FIG. 8 is a top plan view thereof;
FIG. 9 is a bottom plan view thereof;
FIG. 10 is a left side view of a connector body;
FIG. 11 is a cross-sectional view taken along the line of 11-11 of FIG. 10; and,
FIG. 12 is a cross-sectional view taken along the line of 12-12 of FIG. 10.

1 Claim, 5 Drawing Sheets

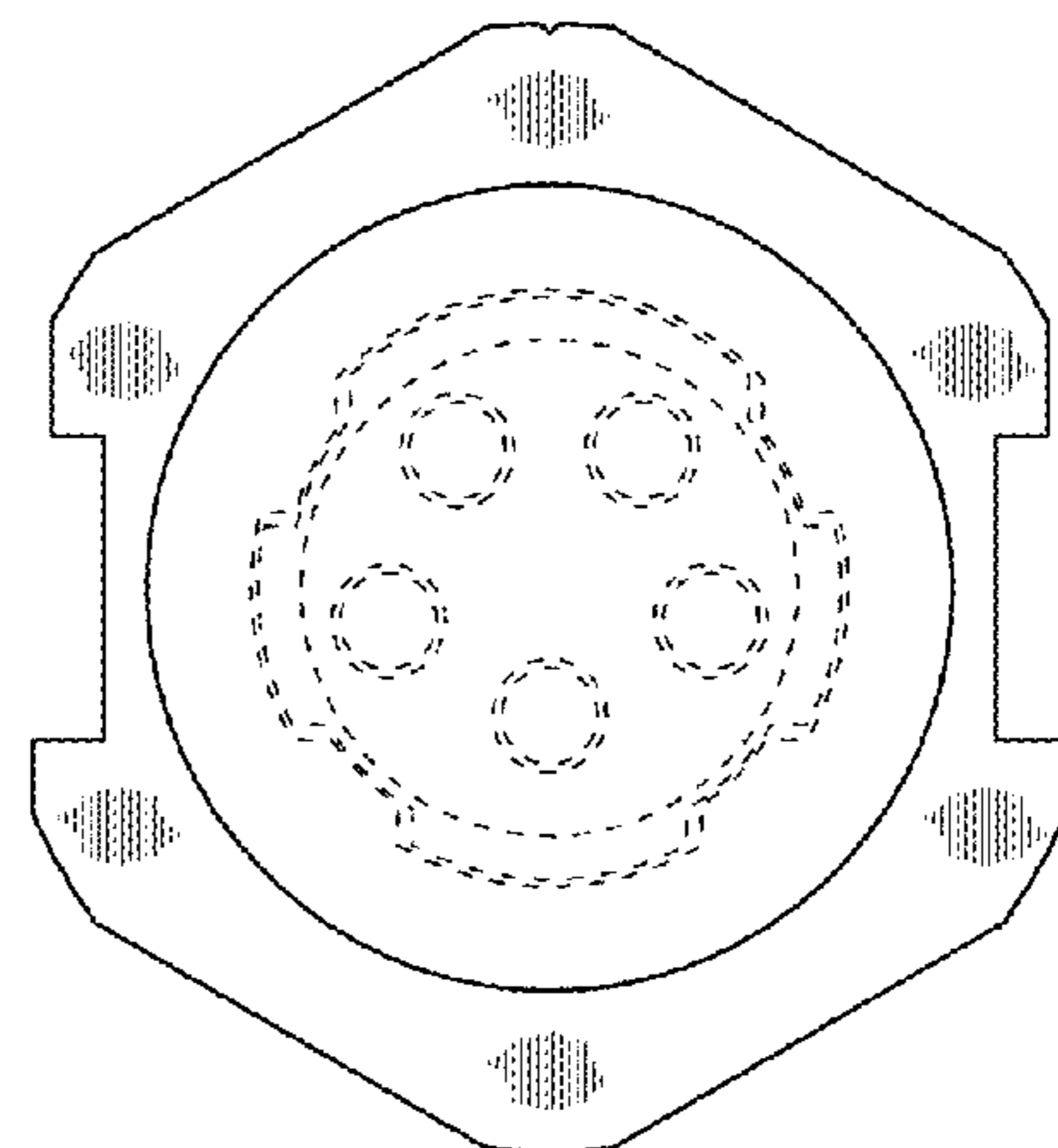
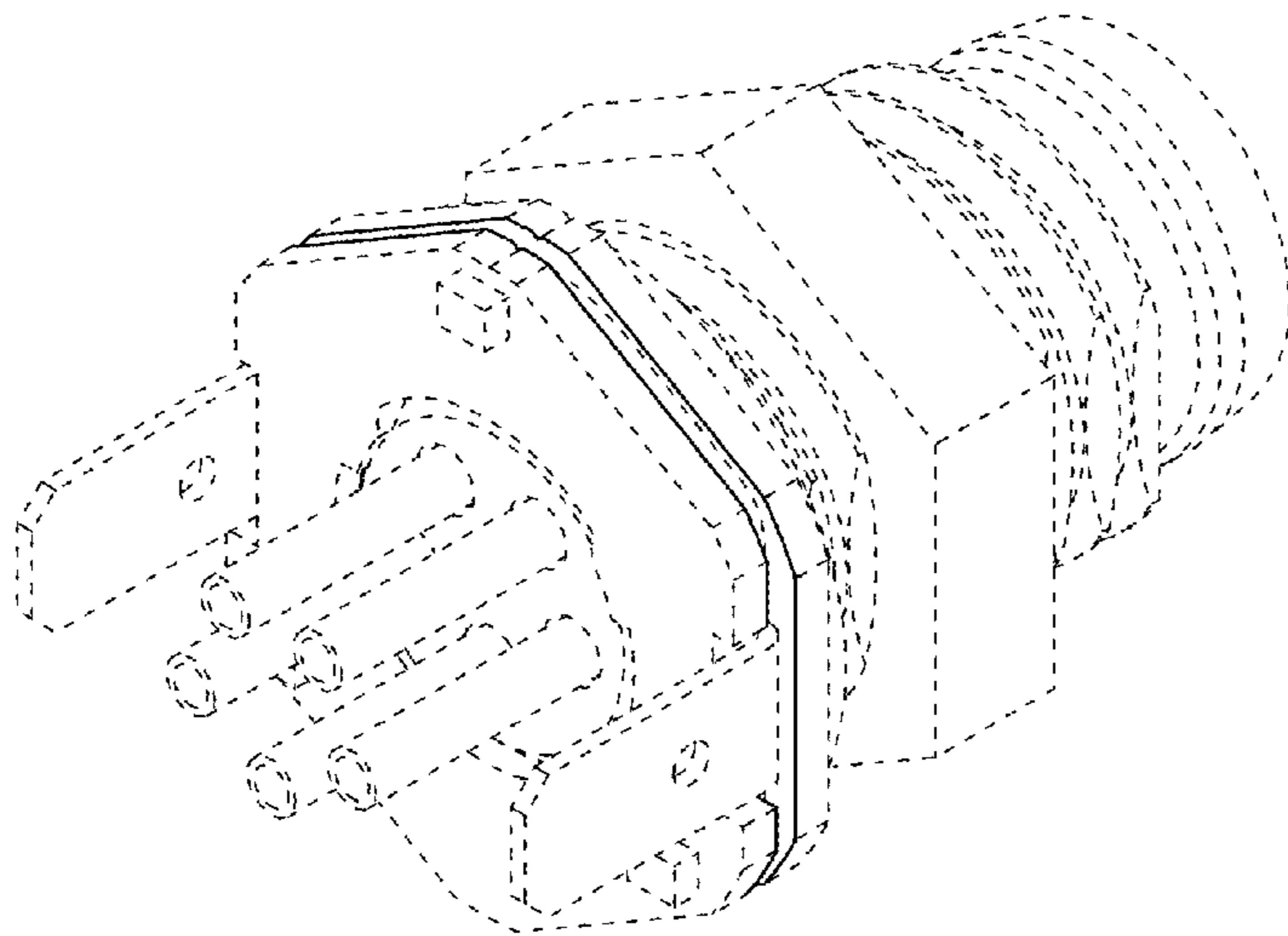


Fig. 1

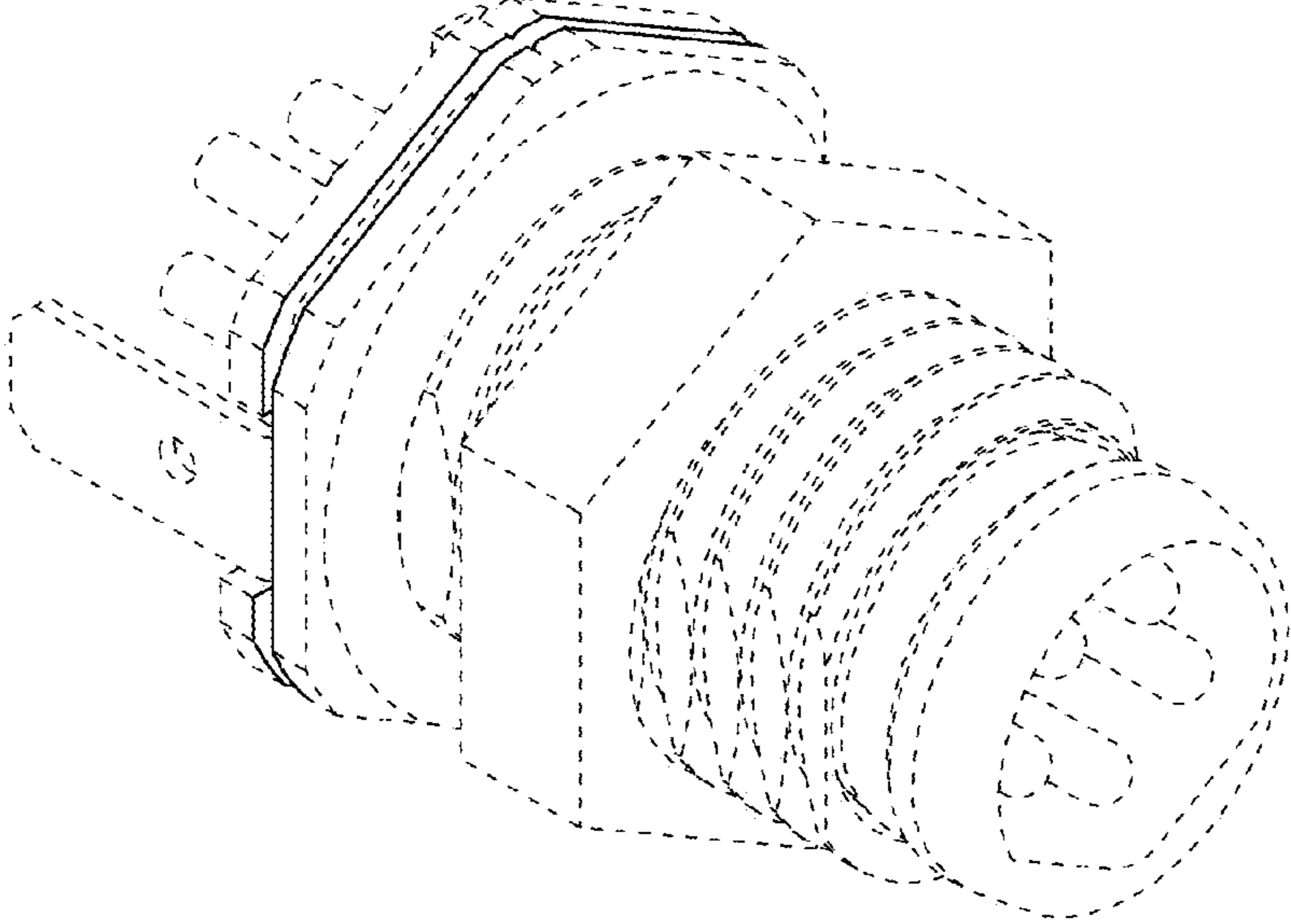


Fig. 2

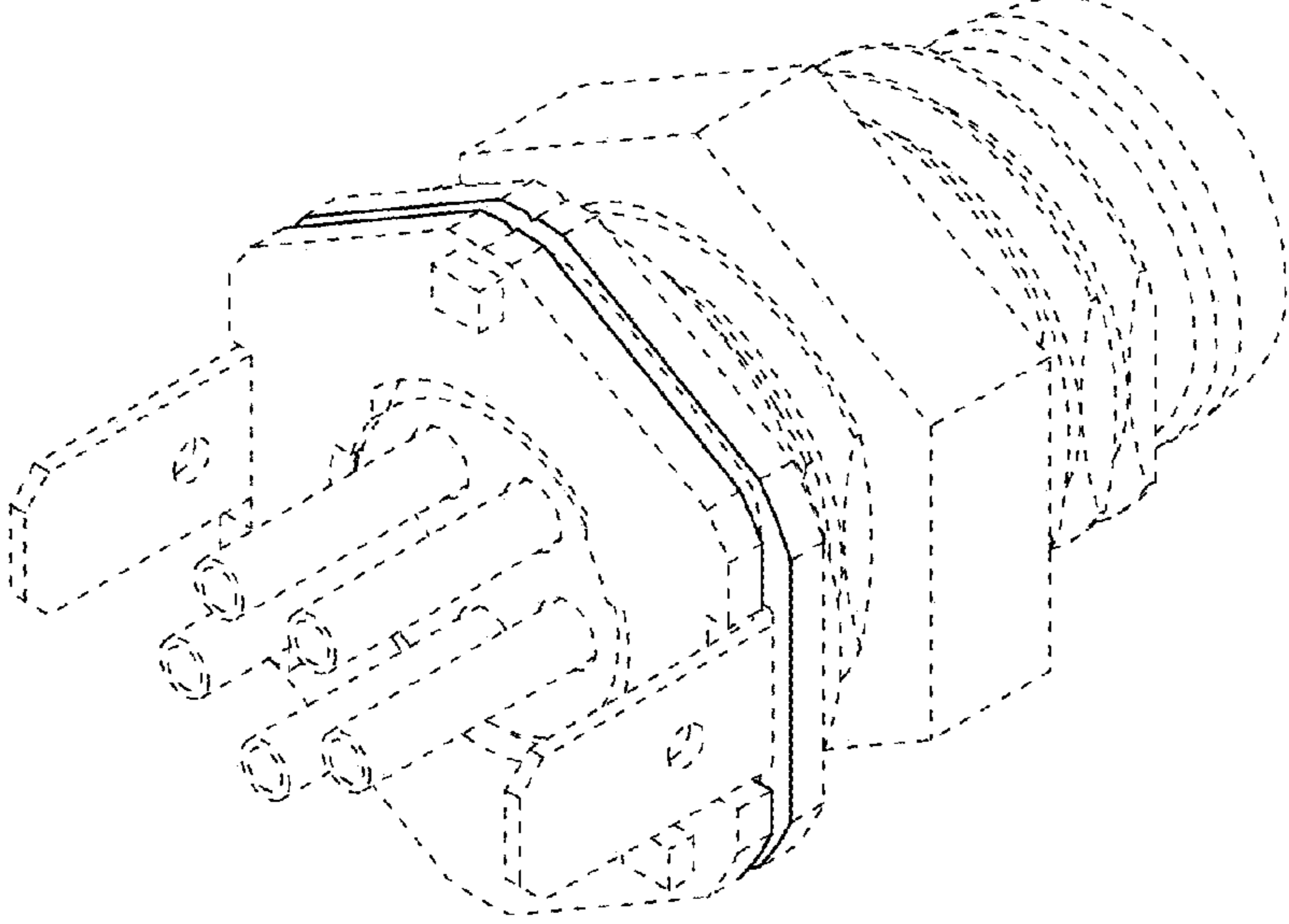


Fig. 3

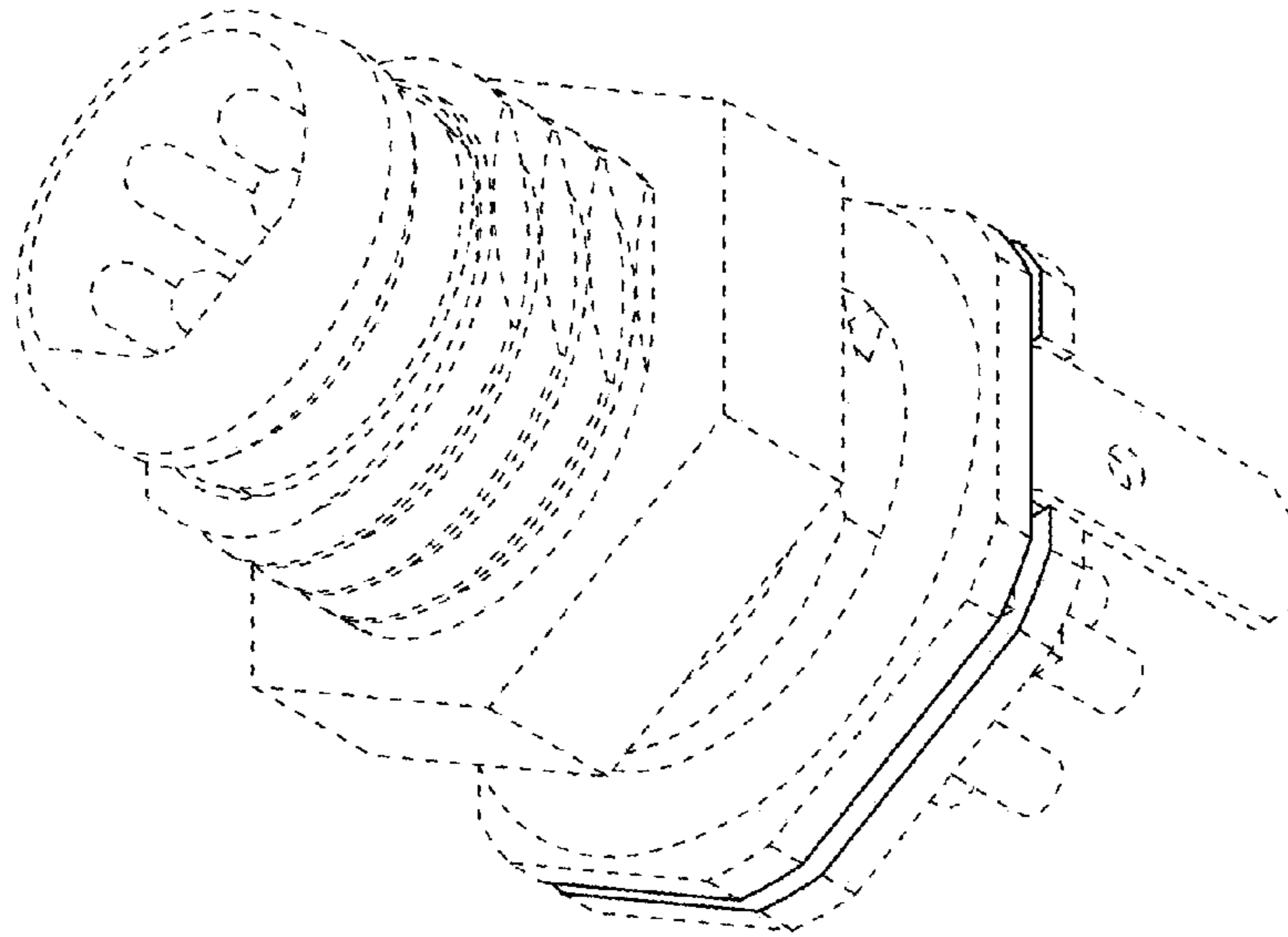


Fig. 4

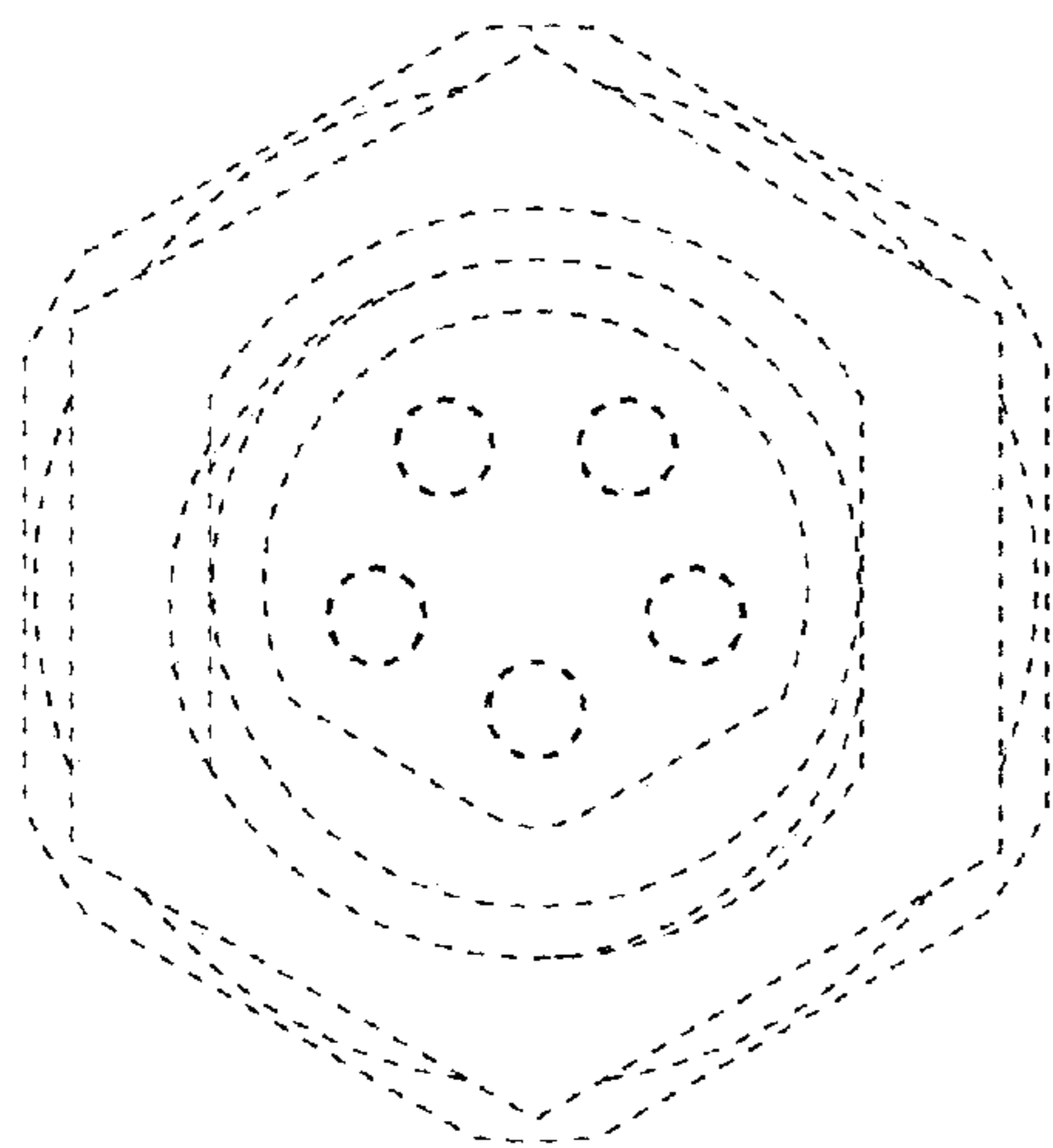


Fig. 5

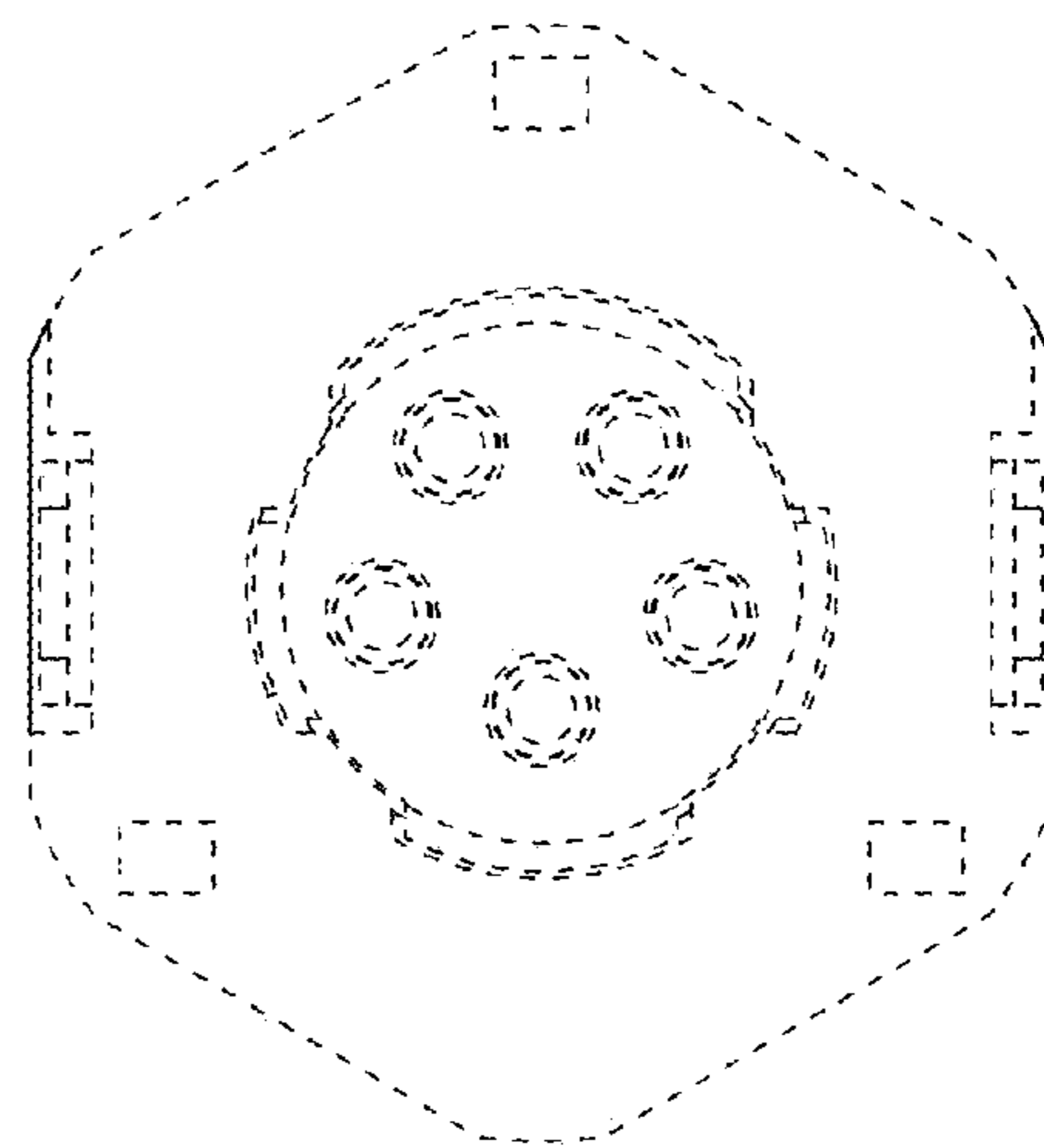


Fig. 6

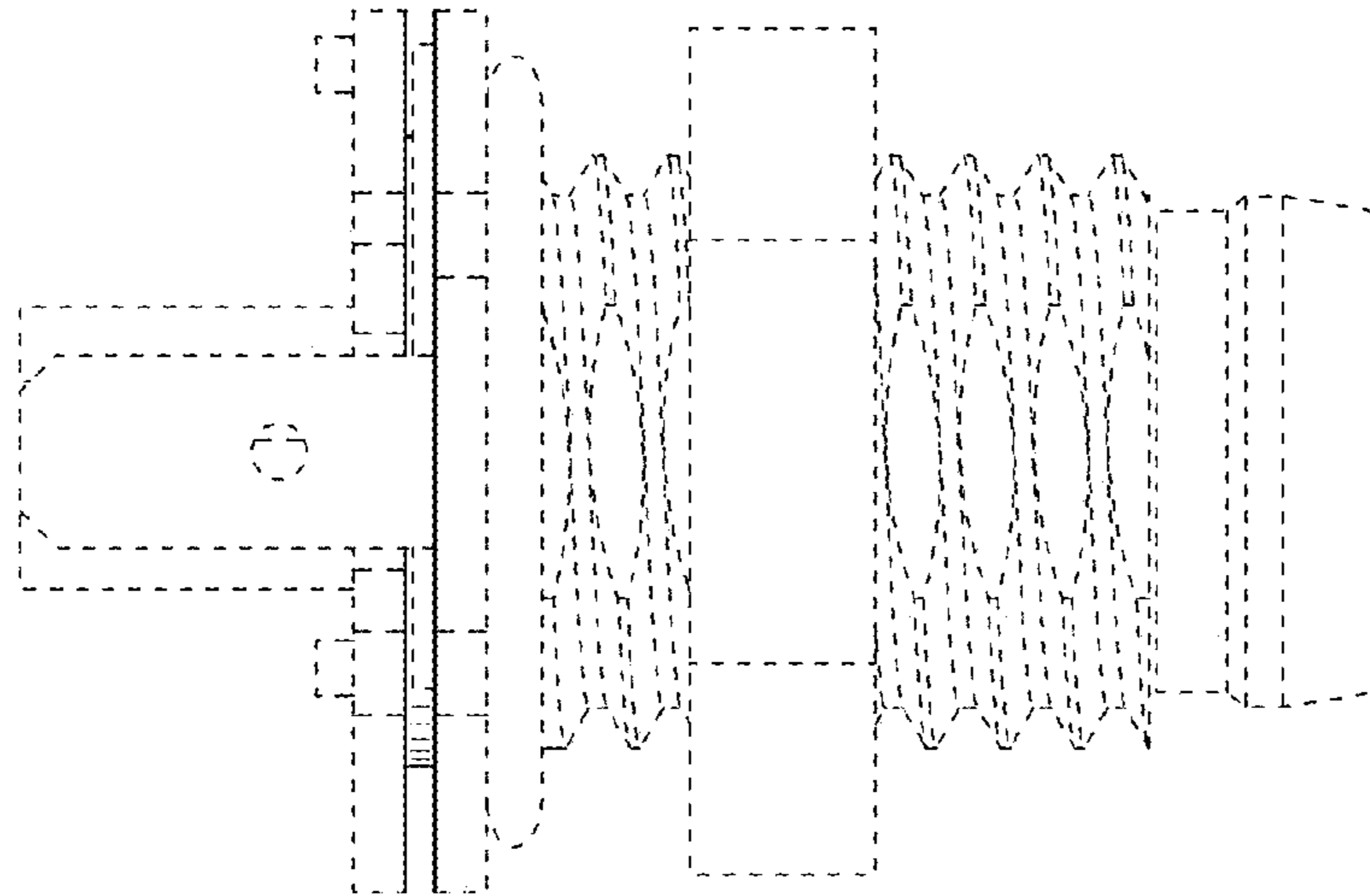


Fig. 7

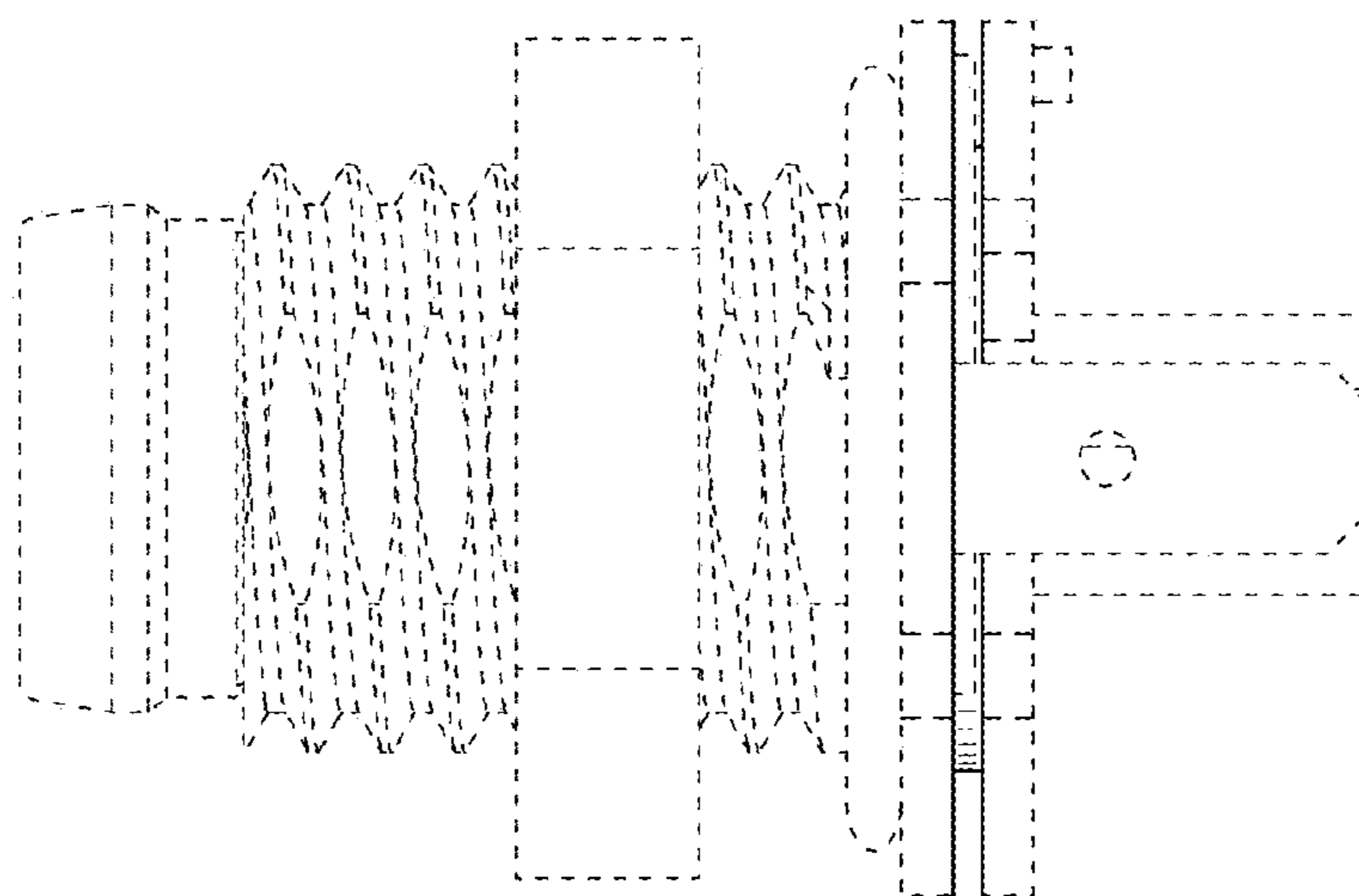


Fig. 8

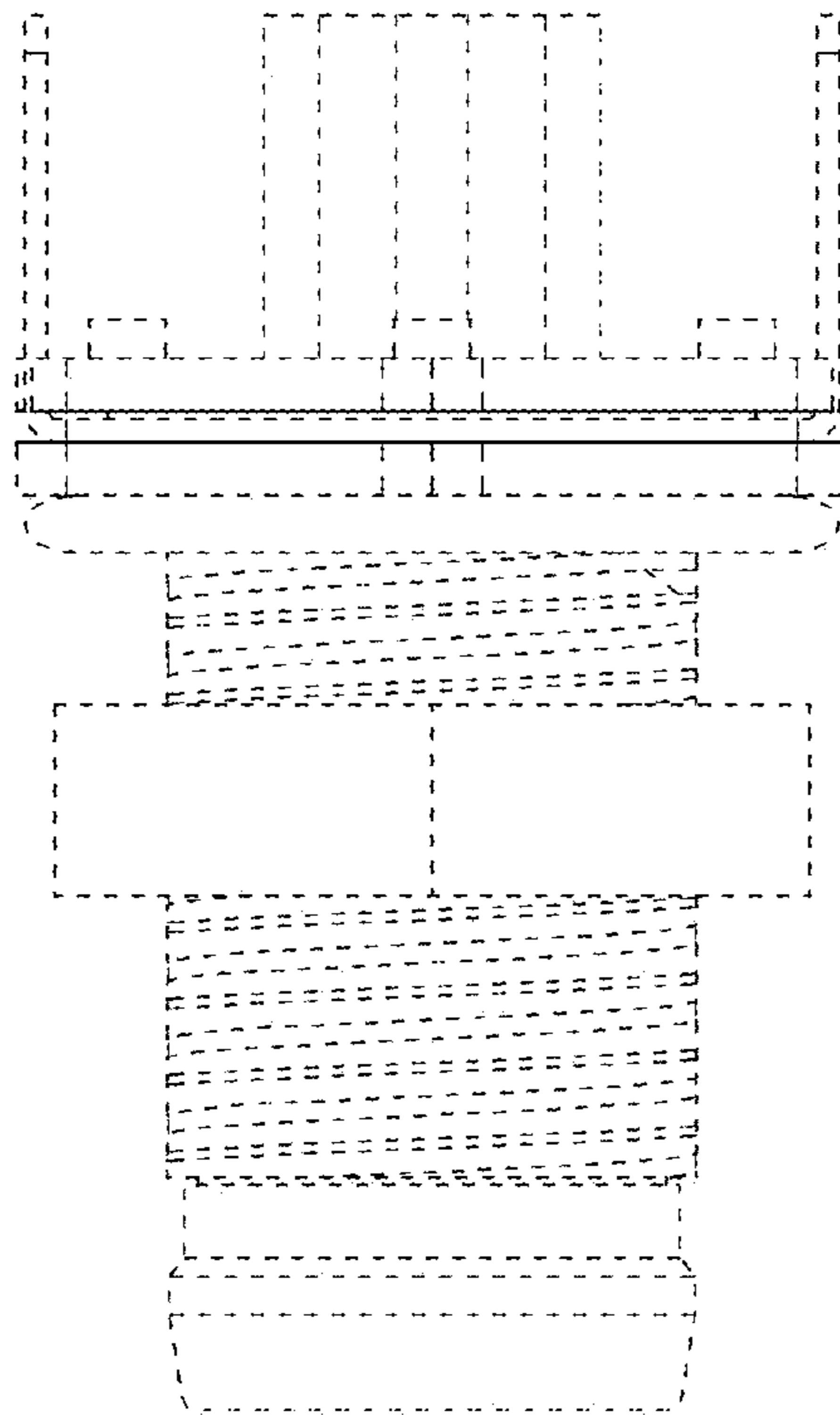


Fig. 9

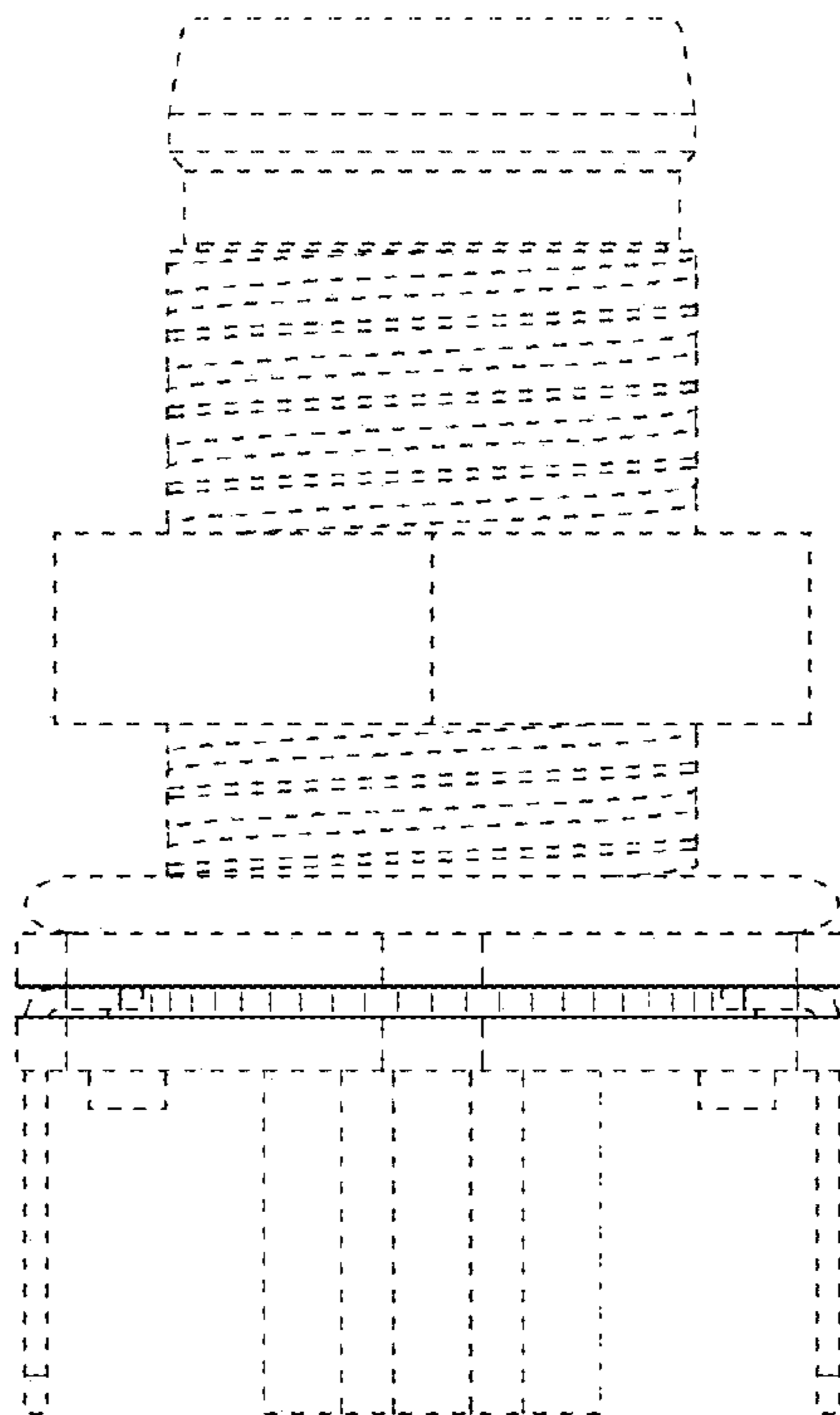


Fig. 10

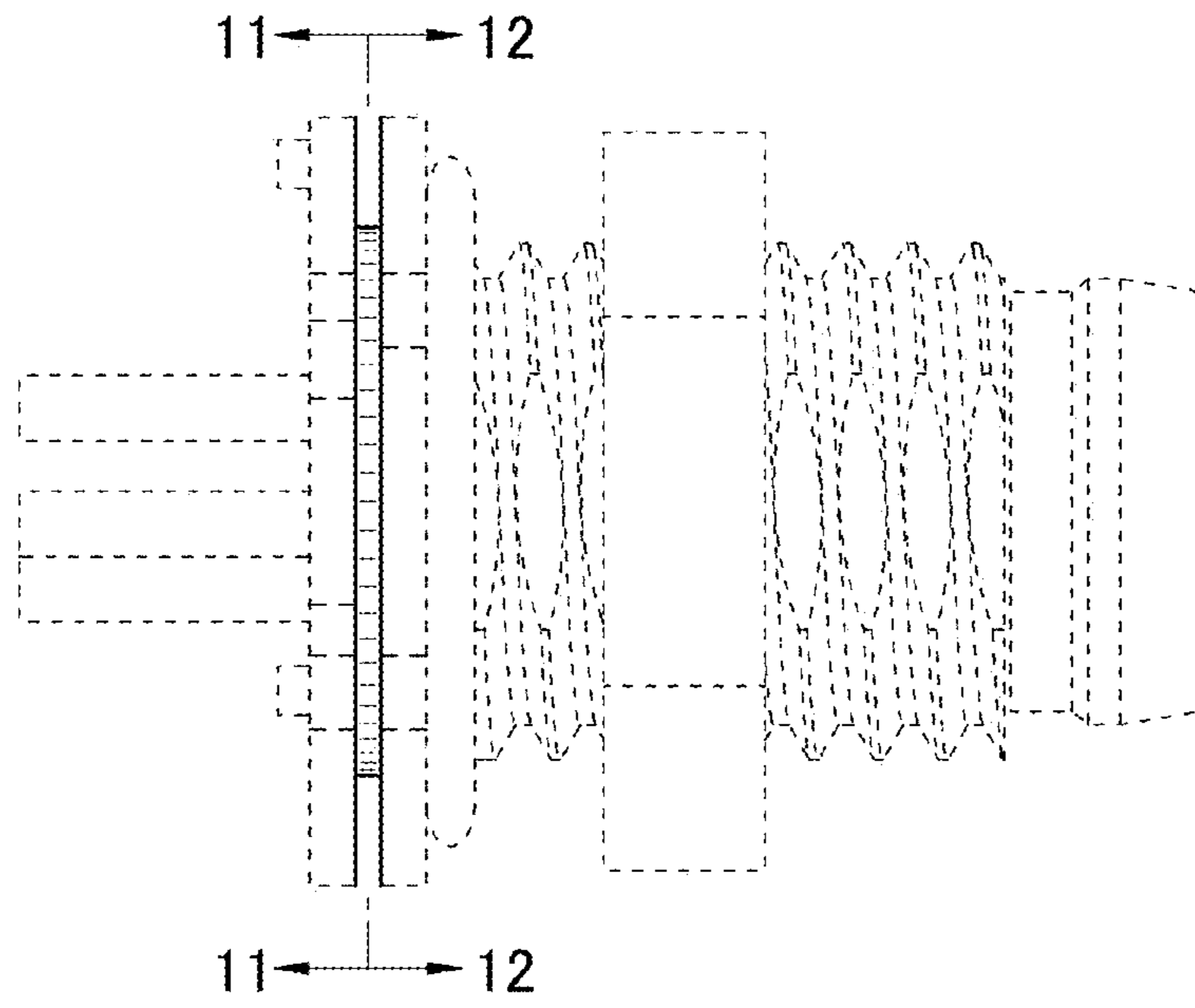


Fig. 11

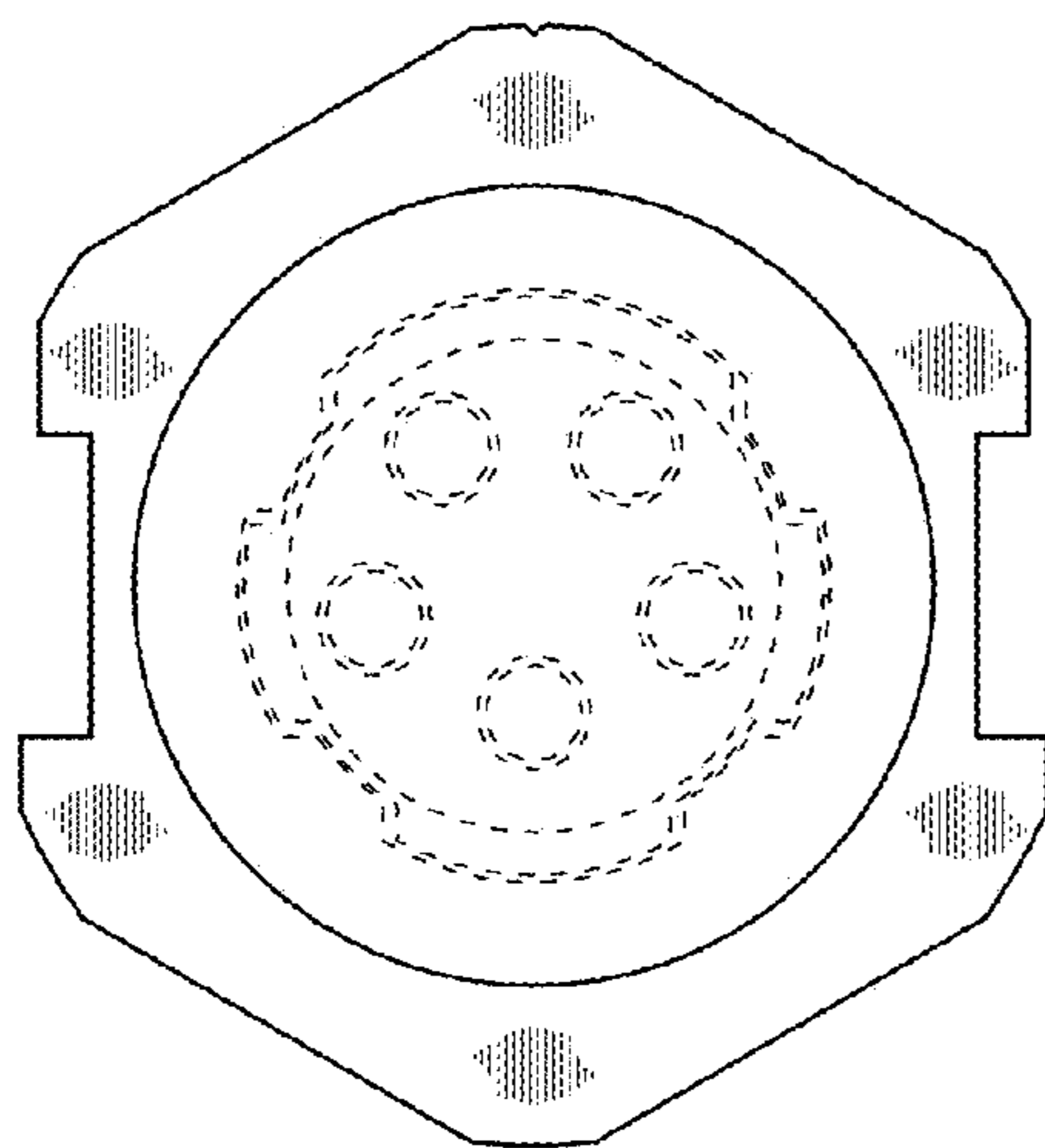


Fig. 12

