



US00D743341S

(12) **United States Design Patent**
Jiang et al.

(10) **Patent No.:** **US D743,341 S**

(45) **Date of Patent:** **** Nov. 17, 2015**

(54) **BUSBAR CHOPPER MODULE**

(56) **References Cited**

(71) Applicant: **General Electric Company**,
Schenectady, NY (US)

U.S. PATENT DOCUMENTS

(72) Inventors: **Aiqin Jiang**, Shanghai (CN); **Theodore Clark Brown**, Ripley, NY (US); **Jason Daniel Kuttenkuler**, Erie, PA (US); **Henry Todd Young**, Erie, PA (US); **Gui He**, Shanghai (CN); **Sean Patrick Cillessen**, Lawrence Park, PA (US); **Mark Allen Murphy**, Erie, PA (US); **Zhao Zhang**, Shanghai (CN)

D317,434 S *	6/1991	McGrane	D13/133
2010/0000089 A1 *	1/2010	Yang et al.	29/854
2012/0020036 A1 *	1/2012	Matsumoto	361/752
2012/0217032 A1 *	8/2012	Beaupre et al.	174/32
2014/0111959 A1 *	4/2014	Li et al.	361/809

* cited by examiner

(73) Assignee: **General Electric Company**,
Schenectady, NY (US)

Primary Examiner — Daniel Bui
(74) *Attorney, Agent, or Firm* — GE Global Patent
Opertaion; John A. Kramer

(**) Term: **14 Years**

(57) **CLAIM**
The ornamental design for a busbar chopper module, as
shown and described.

(21) Appl. No.: **29/512,878**

DESCRIPTION

(22) Filed: **Dec. 23, 2014**

FIG. 1 is a top and rear perspective view of a busbar chopper module showing our new design;
FIG. 2 is a side elevation view thereof;
FIG. 3 is an opposite side elevation view thereof;
FIG. 4 is a front elevation view thereof;
FIG. 5 is a rear elevation view thereof;
FIG. 6 is a top plan view thereof; and,
FIG. 7 is a bottom plan view thereof.

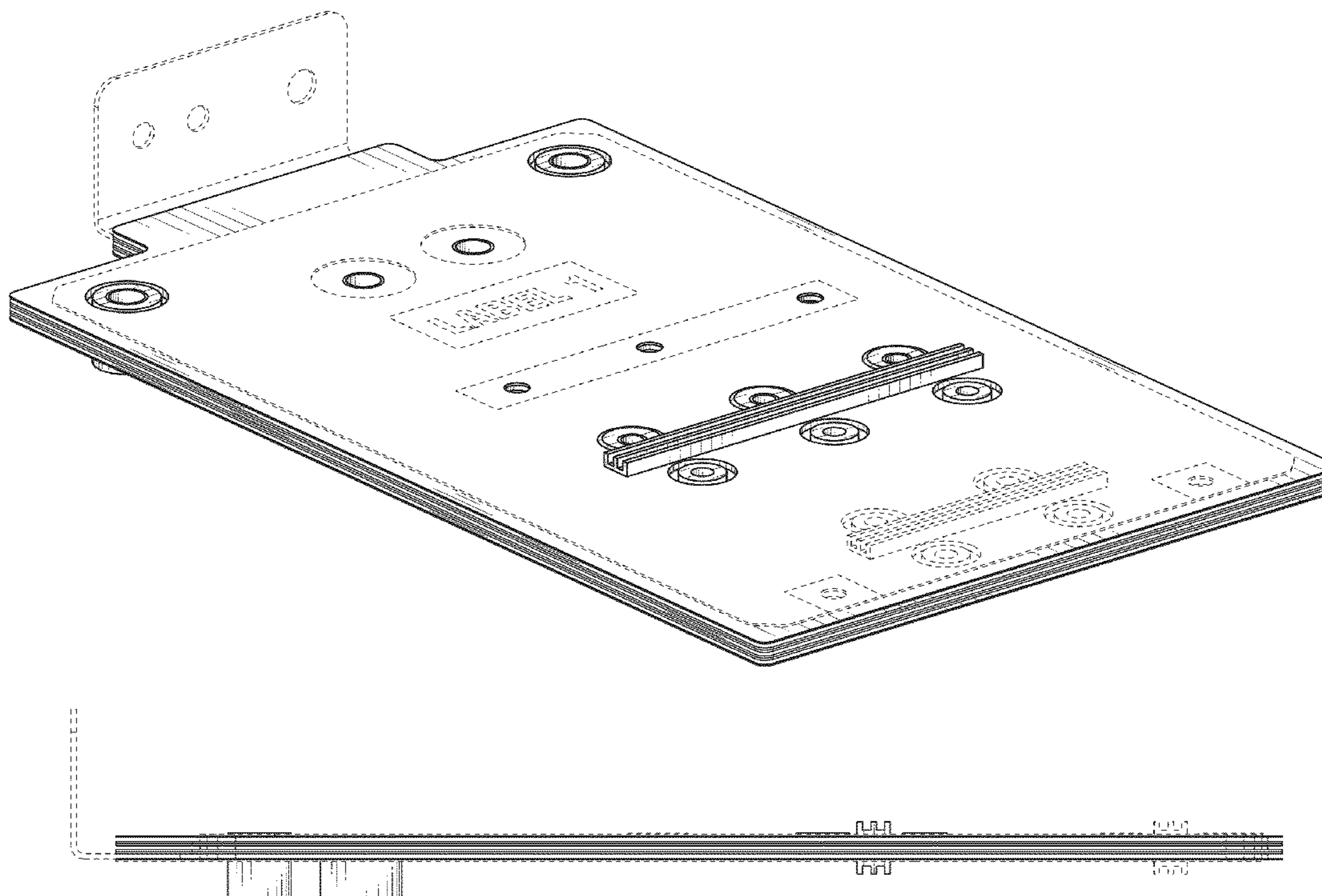
(51) **LOC (10) Cl.** **13-03**

(52) **U.S. Cl.**
USPC **D13/147**

The broken line portion of the figure drawings is included to show unclaimed subject matter only and forms no part of the claimed designs.

(58) **Field of Classification Search**
USPC D13/146, 147, 154, 184, 199
See application file for complete search history.

1 Claim, 5 Drawing Sheets



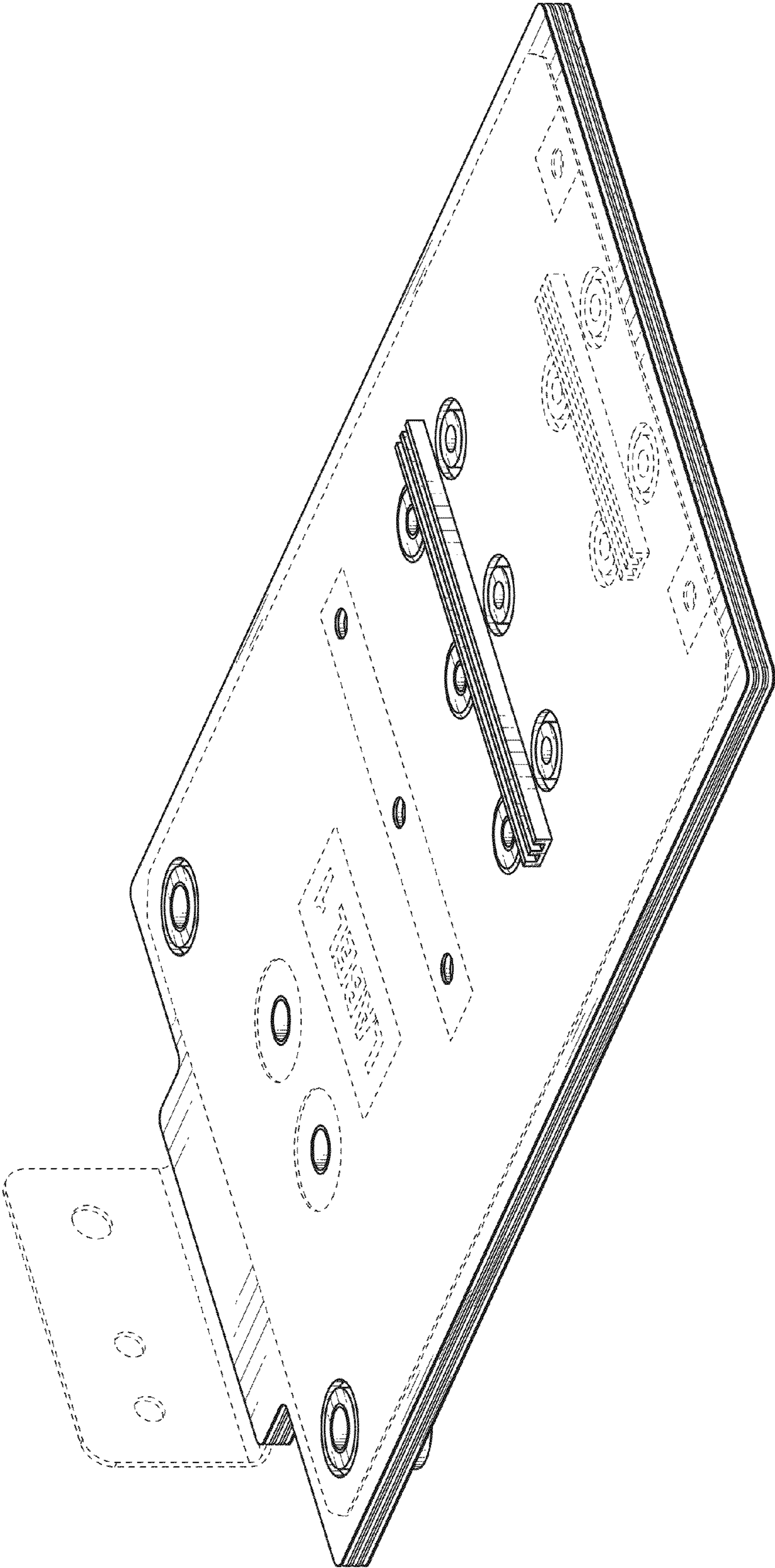


FIG. 1

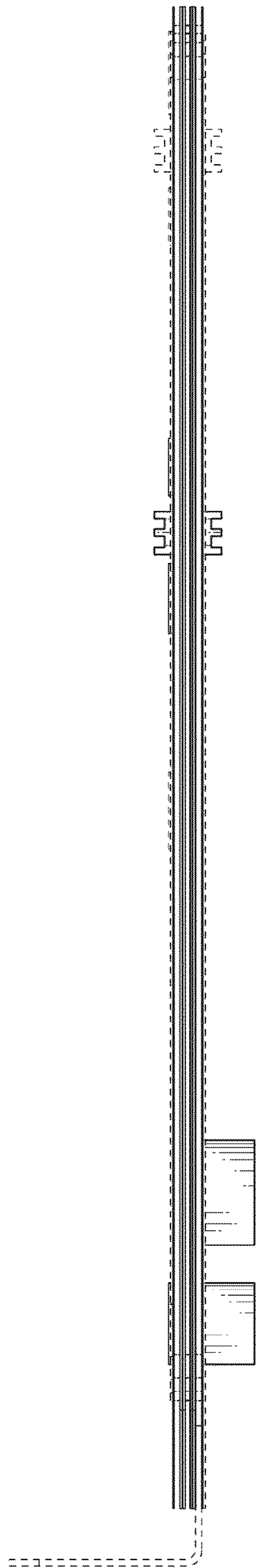


FIG. 2

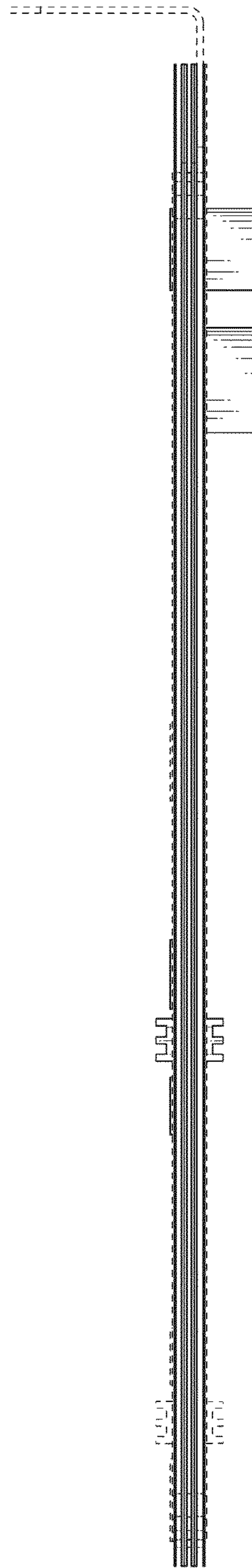


FIG. 3

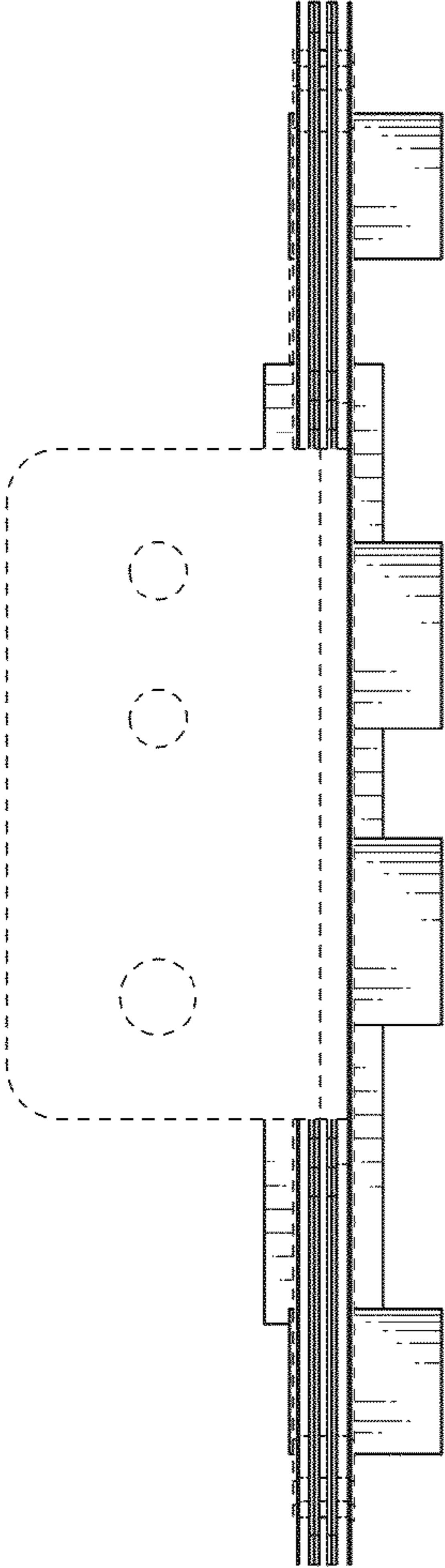


FIG. 4

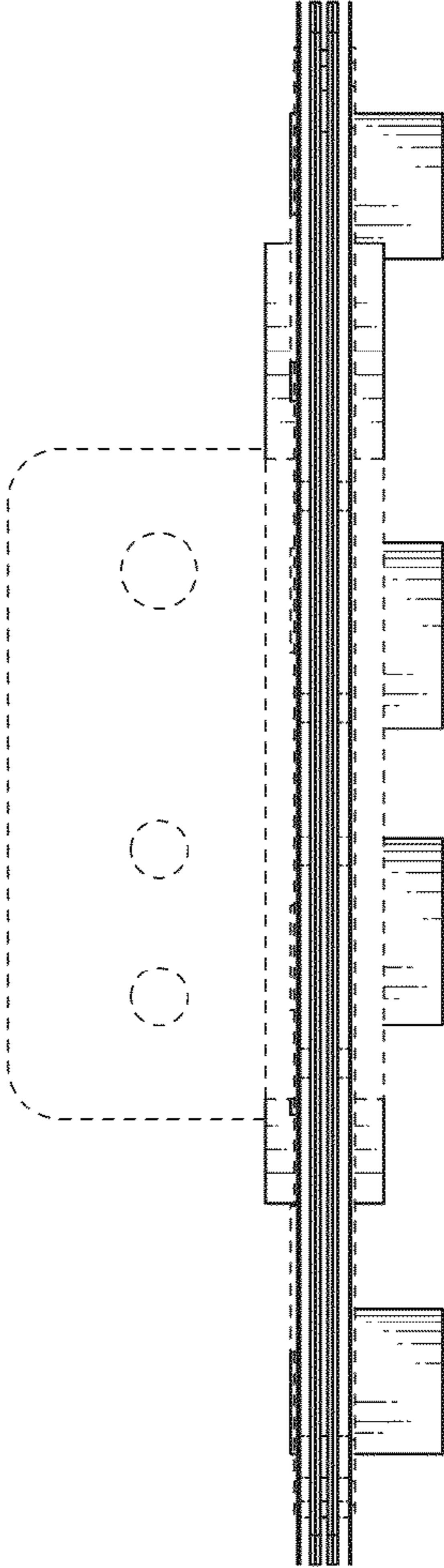


FIG. 5

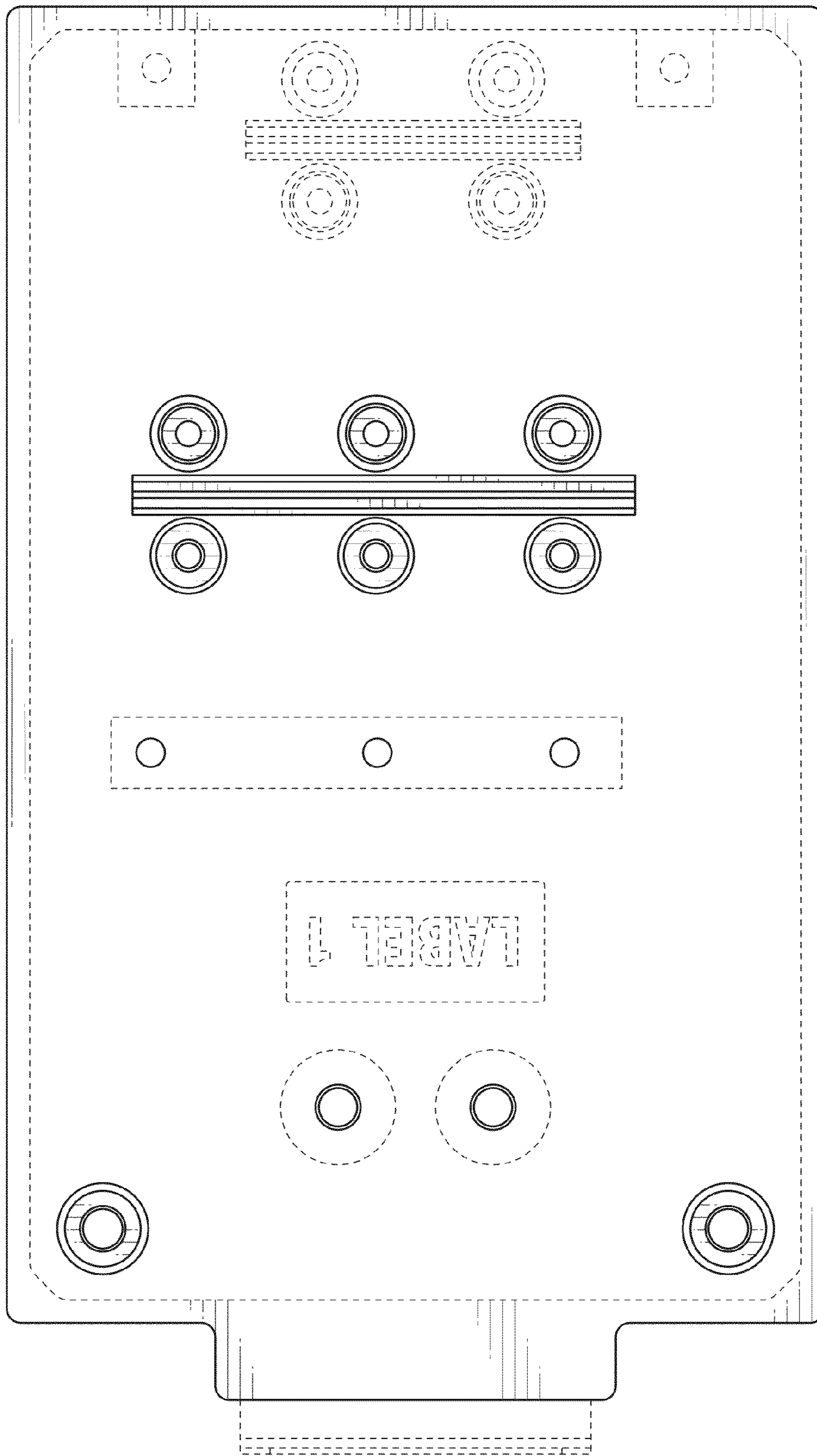


FIG. 6

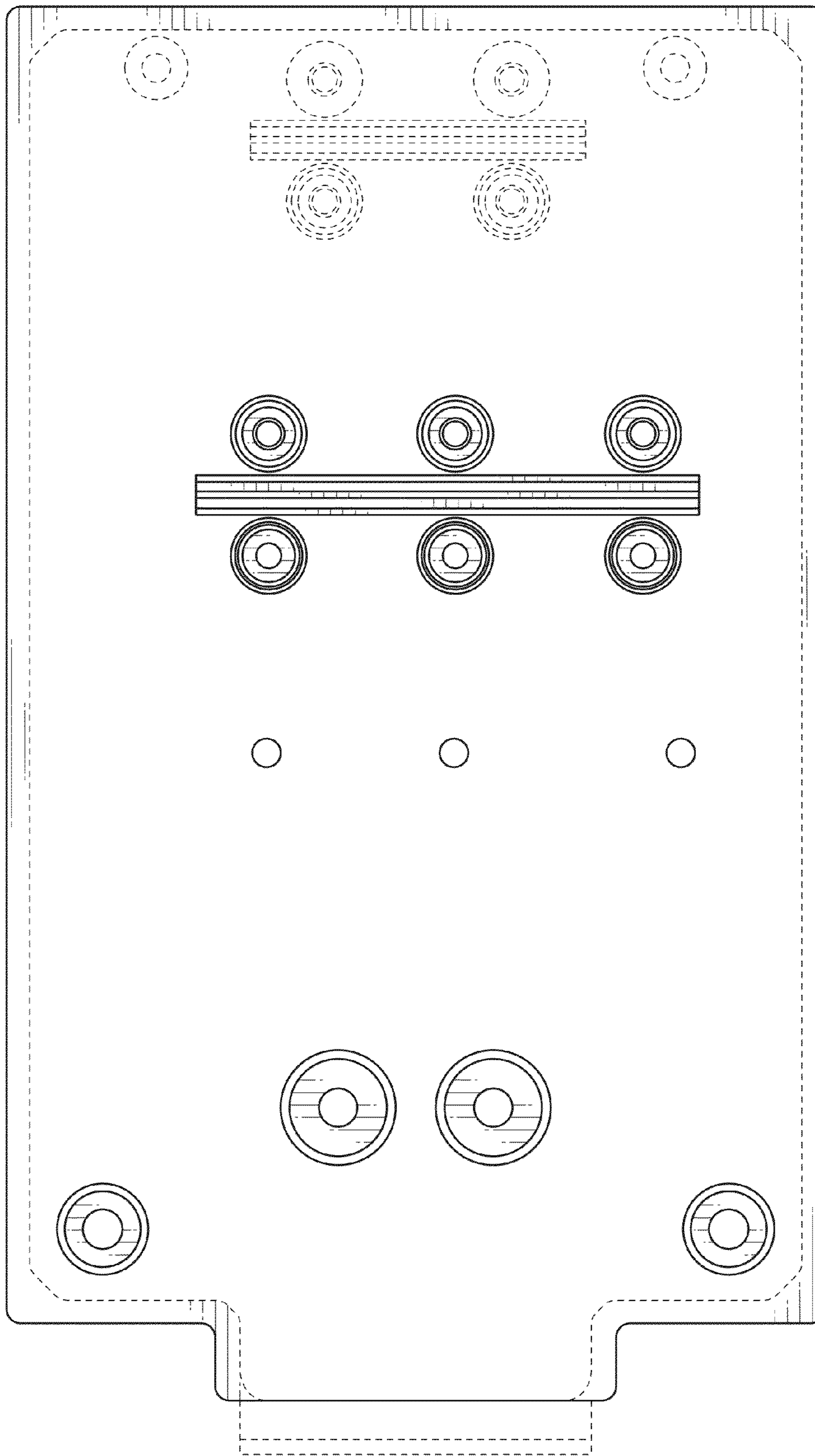


FIG. 7