



US00D743338S

(12) **United States Design Patent**
Christensen et al.

(10) **Patent No.:** **US D743,338 S**

(45) **Date of Patent:** **** Nov. 17, 2015**

(54) **MALE ELECTRICAL CONNECTOR**

(71) Applicant: **TRAXXAS LP**, McKinney, TX (US)

(72) Inventors: **Casey Christen Jens Christensen**,
McKinney, TX (US); **Kent Poteet**,
Lucas, TX (US); **Otto Karl**
Allmendinger, Rowlett, TX (US)

(73) Assignee: **TRAXXAS LP**, McKinney, TX (US)

(**) Term: **14 Years**

(21) Appl. No.: **29/497,274**

(22) Filed: **Jul. 22, 2014**

(51) **LOC (10) Cl.** **13-03**

(52) **U.S. Cl.**
USPC **D13/133**

(58) **Field of Classification Search**
USPC D13/110, 118-120, 123, 133, 146, 147,
D13/149, 154, 184, 199
CPC H01R 13/00; H01R 13/15; H01R 13/44;
H01R 13/64; H01R 13/642; H01R 24/00;
H01R 25/00
See application file for complete search history.

(56) **References Cited**

U.S. PATENT DOCUMENTS

D179,946 S *	3/1957	Kerr	D13/110
D494,933 S *	8/2004	Lu	D13/133
D552,560 S *	10/2007	Victor	D13/133
7,374,460 B1 *	5/2008	Hariharsan	H01R 13/187 439/679
D573,536 S *	7/2008	Hariharsan	D13/133

D576,557 S *	9/2008	Hariharsan	D13/133
D577,671 S *	9/2008	Schnitzler	D13/133
D589,881 S *	4/2009	Kok	D13/133
D659,640 S *	5/2012	Tseng	D13/133
D662,889 S *	7/2012	Smith	D13/146
D665,748 S *	8/2012	Baker	D13/133
2011/0003512 A1 *	1/2011	Bower	H01R 13/642 439/627
2015/0126075 A1 *	5/2015	Chen	H01R 13/642 439/678

* cited by examiner

Primary Examiner — Thomas Johannes

Assistant Examiner — Shawn T Gingrich

(74) *Attorney, Agent, or Firm* — CARR Law Firm PLLC

(57) **CLAIM**

We claim the ornamental design for a male electrical connector, as shown and described.

DESCRIPTION

FIG. 1 is a, top, right, front perspective view of a male electrical connector;
FIG. 2 is a bottom, left, rear perspective view thereof;
FIG. 3 is a top, left, rear perspective view thereof;
FIG. 4 is a bottom, right, front perspective view thereof;
FIG. 5 is a top plan view thereof;
FIG. 6 is a bottom plan view thereof;
FIG. 7 is a front elevation view thereof;
FIG. 8 is a rear elevation view thereof;
FIG. 9 is a left side elevation view thereof; and,
FIG. 10 is a right side elevation view thereof.

The broken line portion of the figure drawings is included to show portions of the article that form no part of the claimed design.

1 Claim, 4 Drawing Sheets

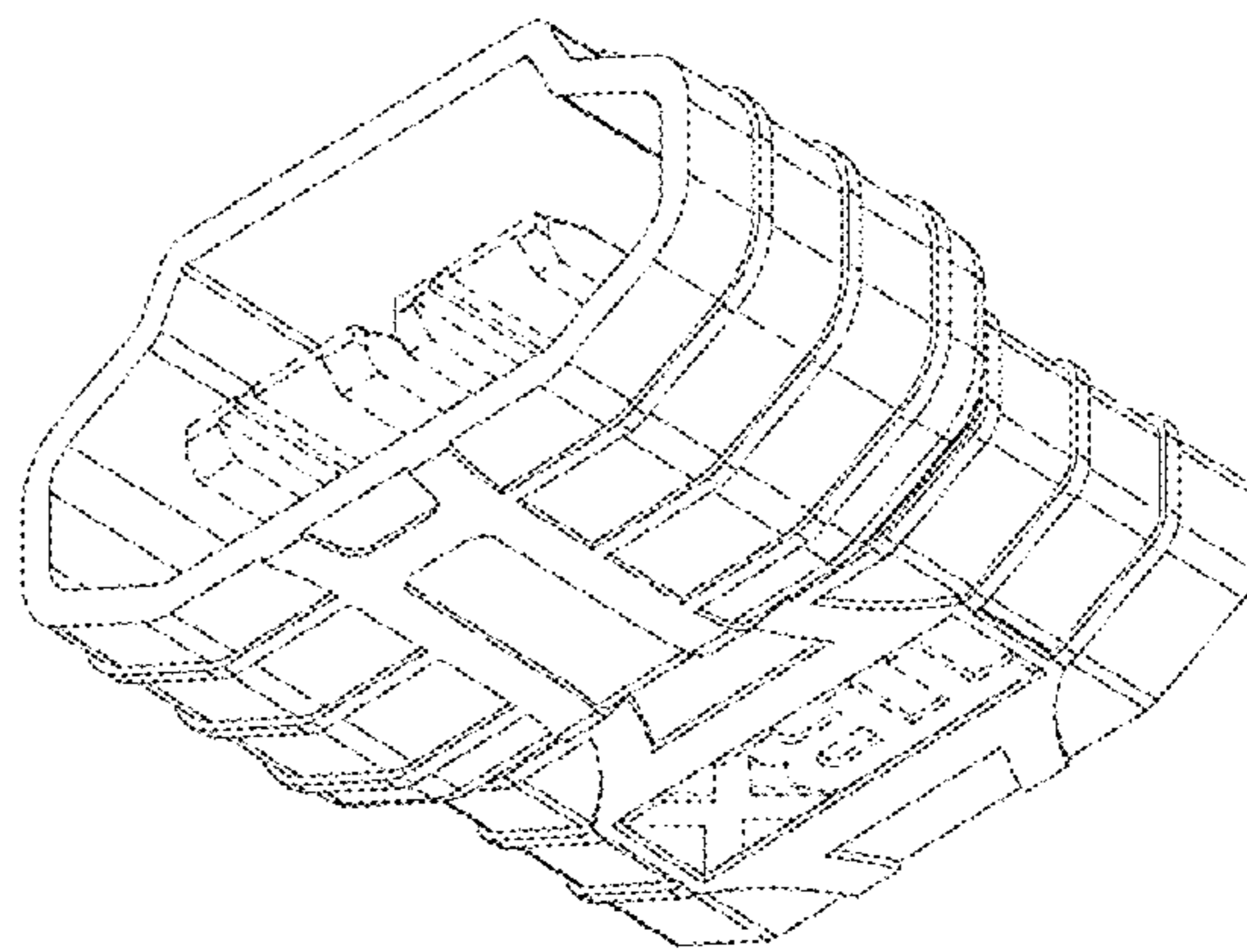
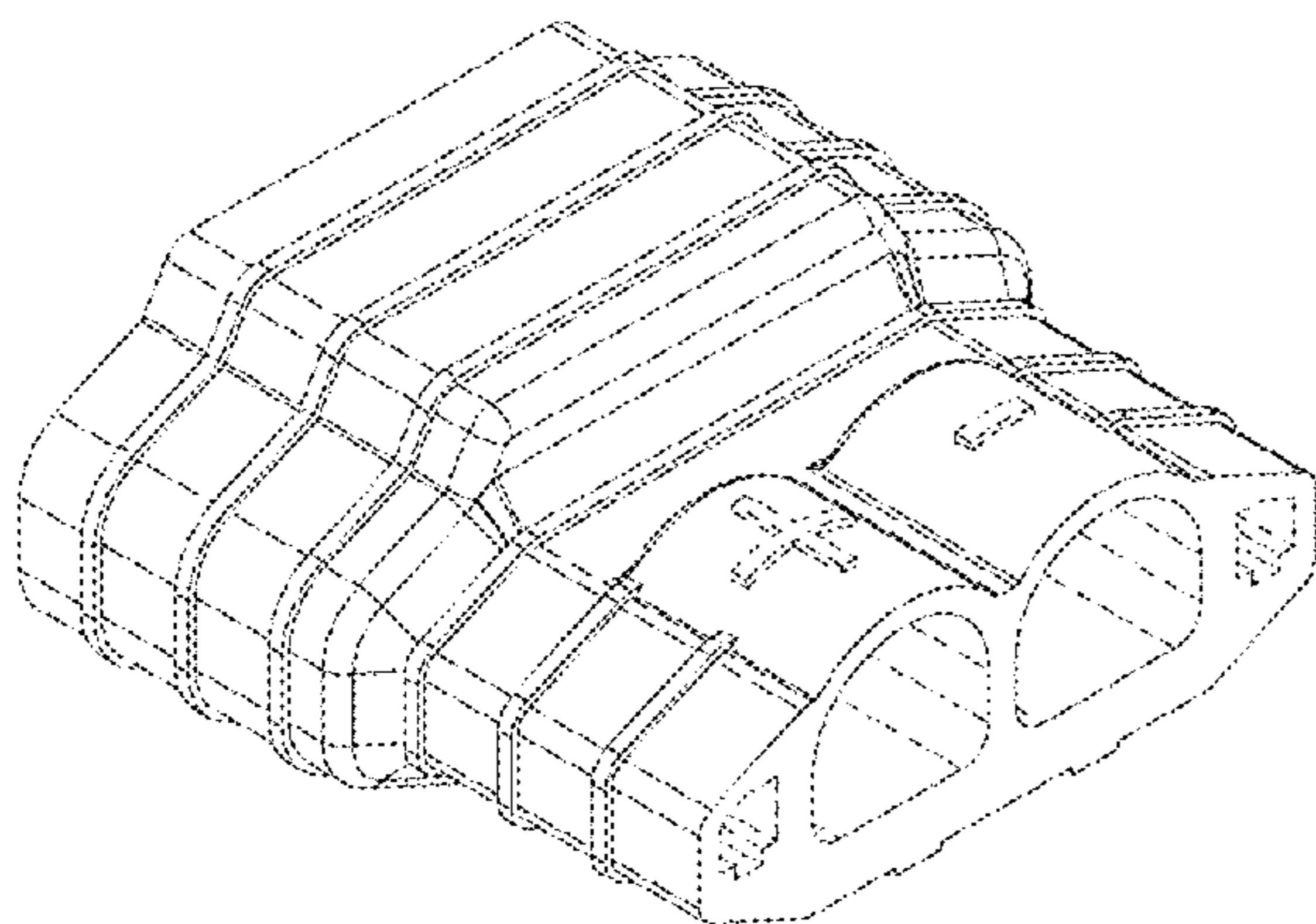


FIG. 1

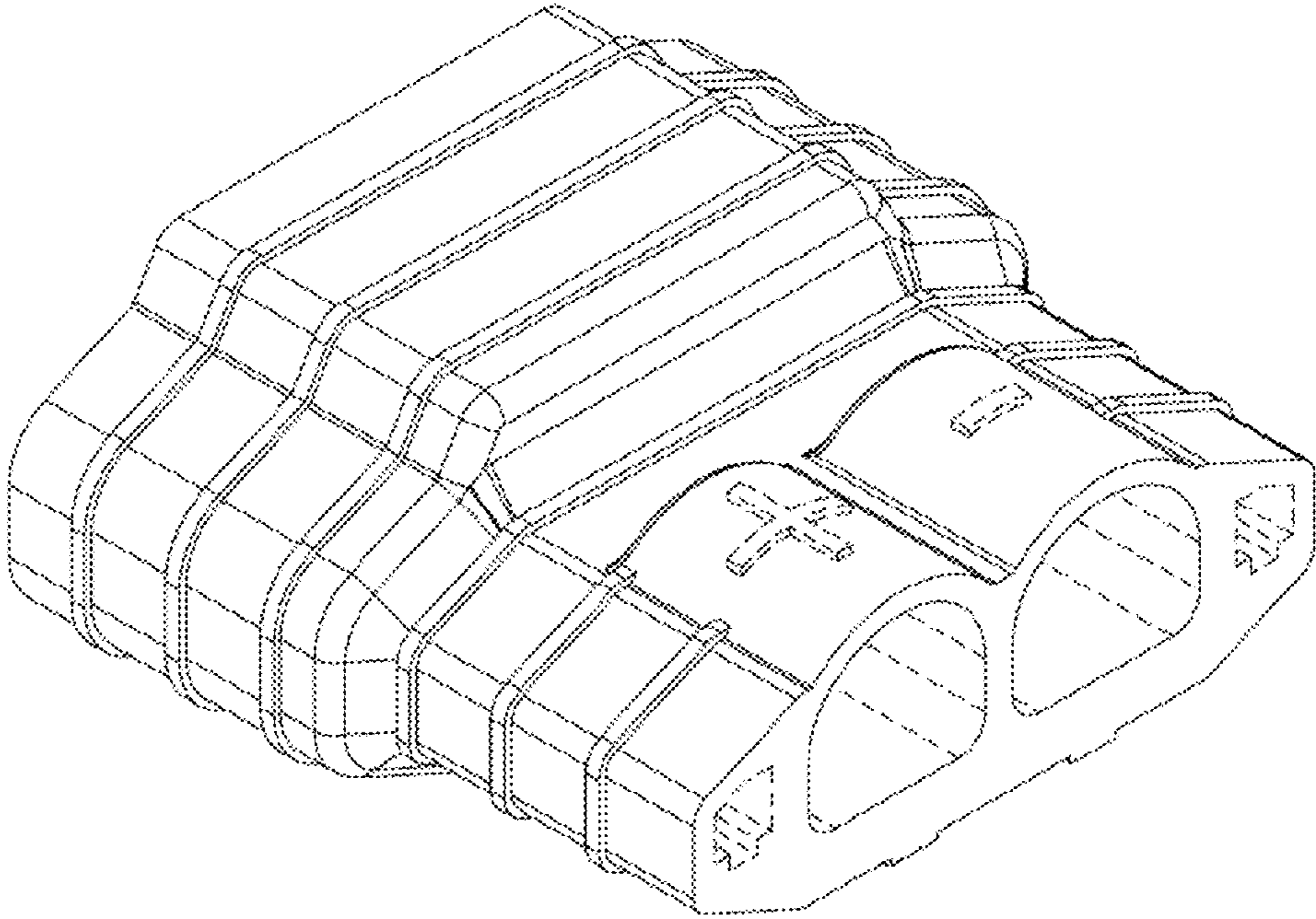


FIG. 2

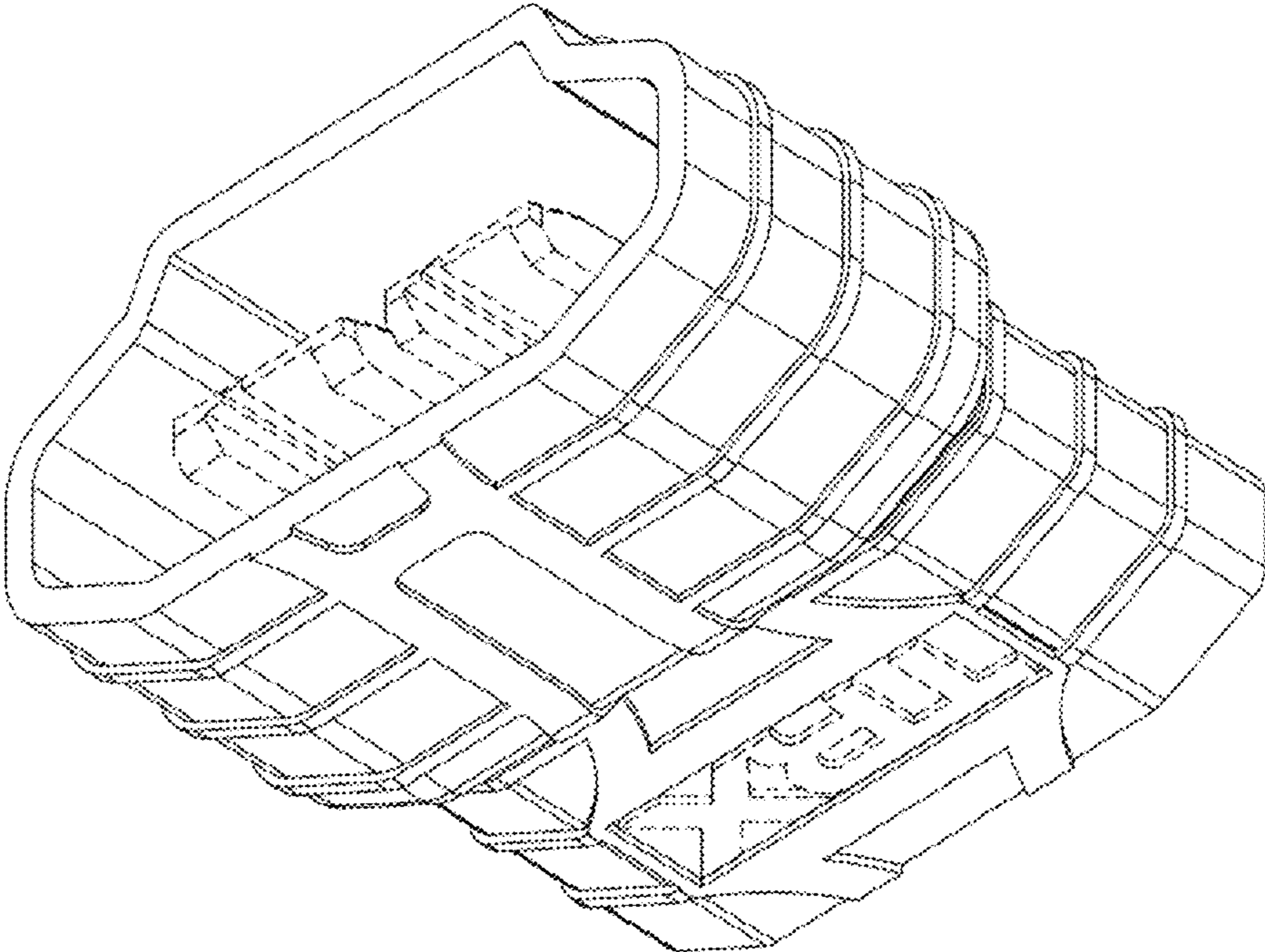


FIG. 3

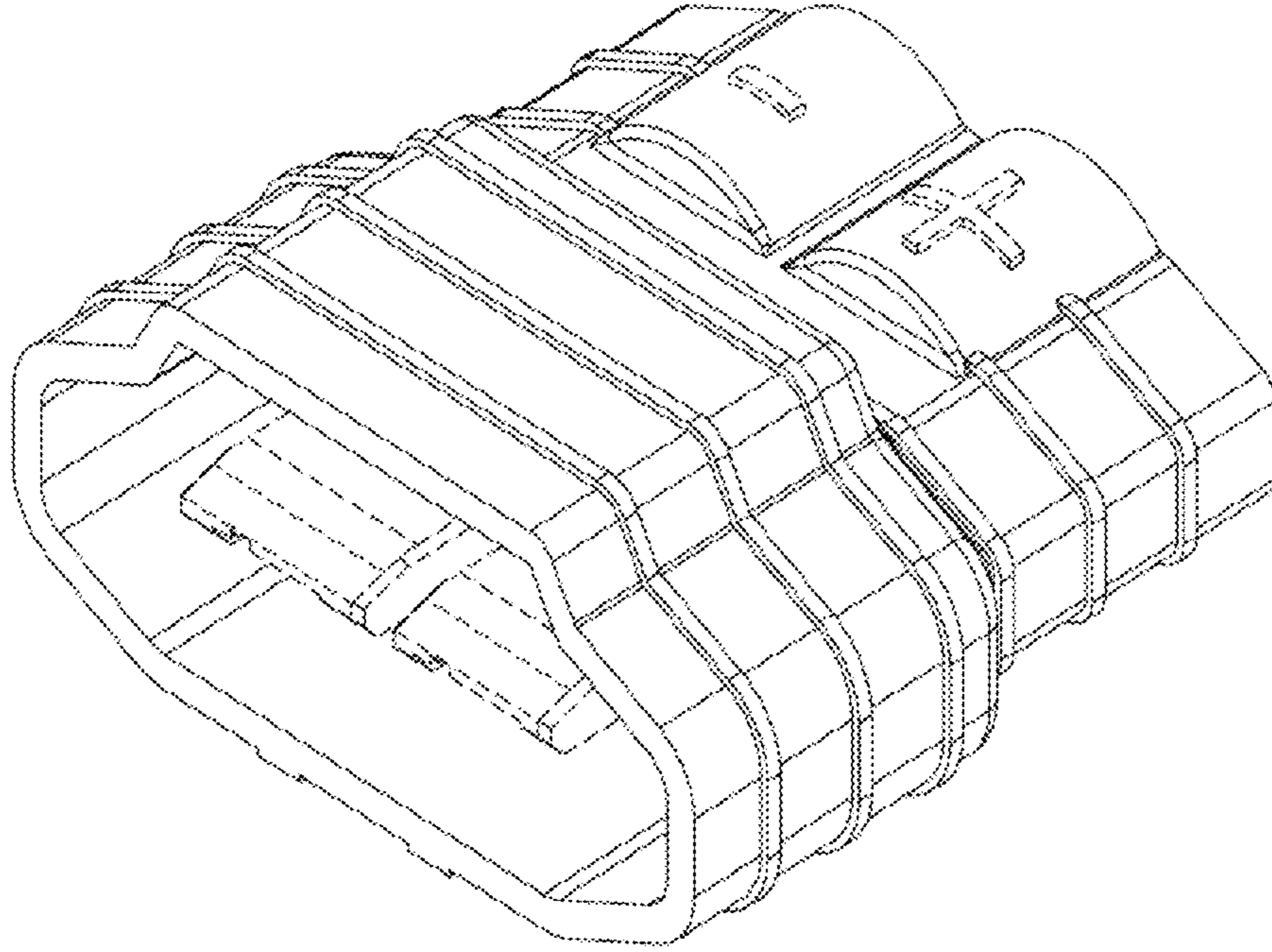


FIG. 4

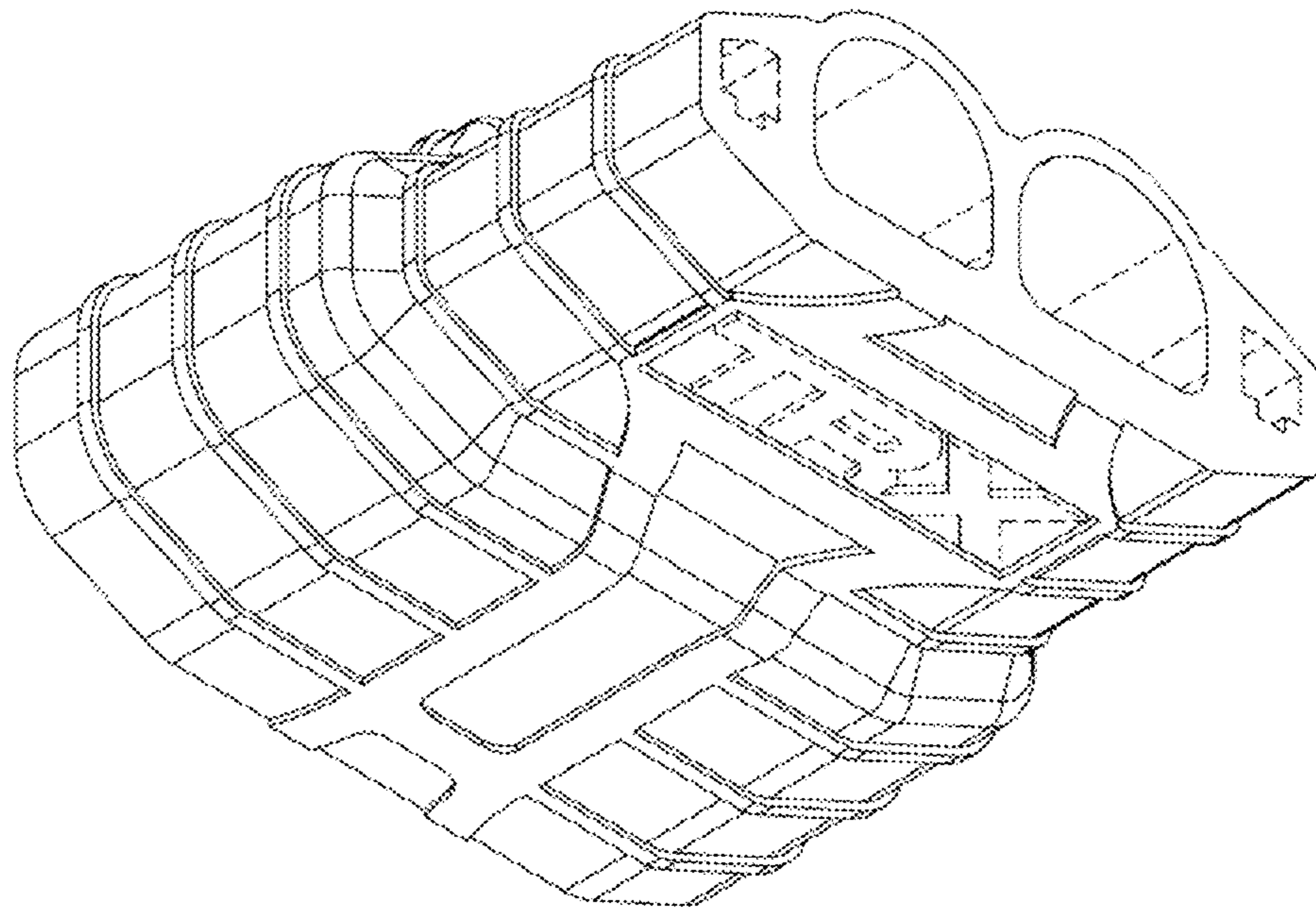


FIG. 5

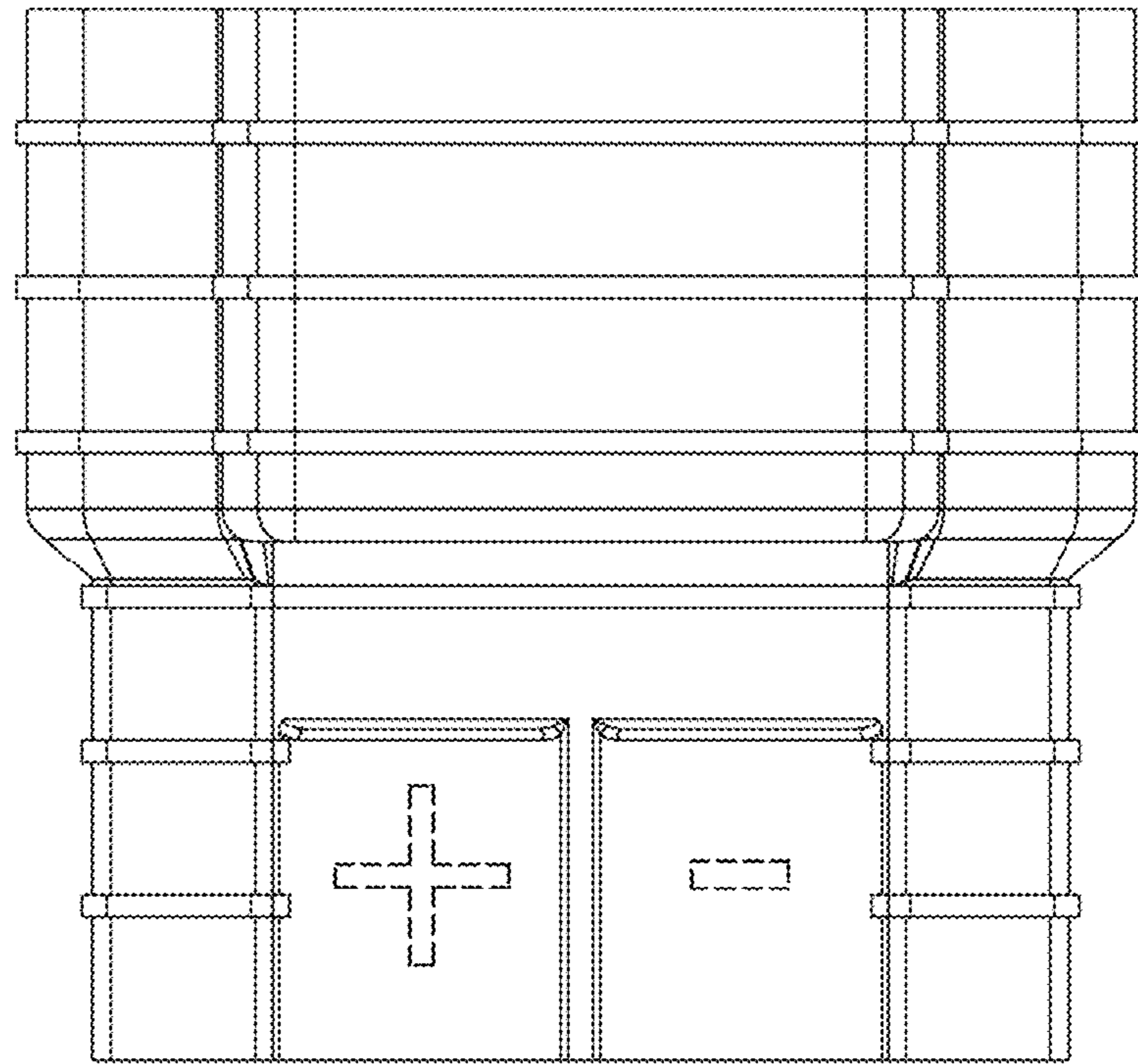


FIG. 6

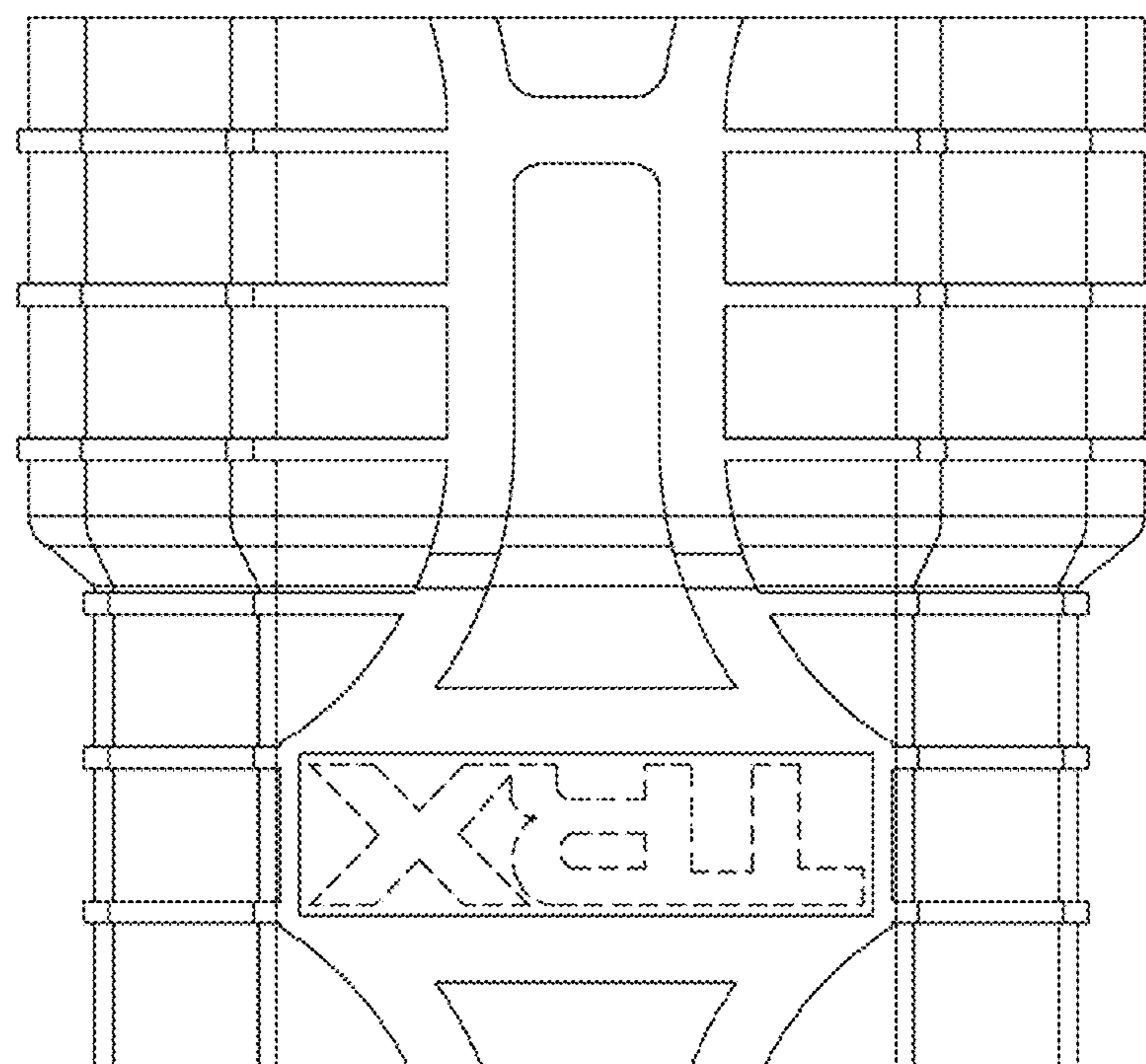


FIG. 7

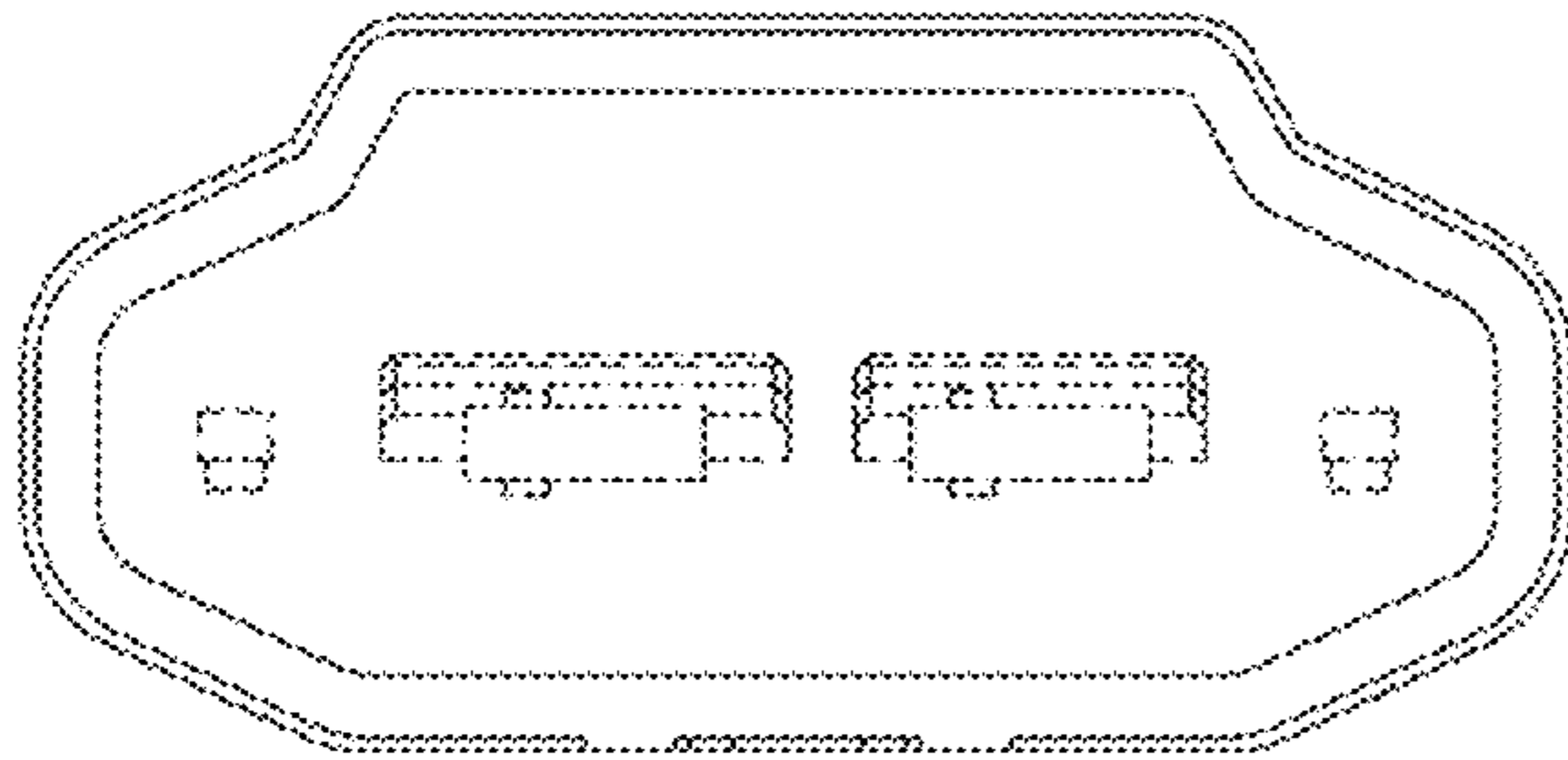


FIG. 8

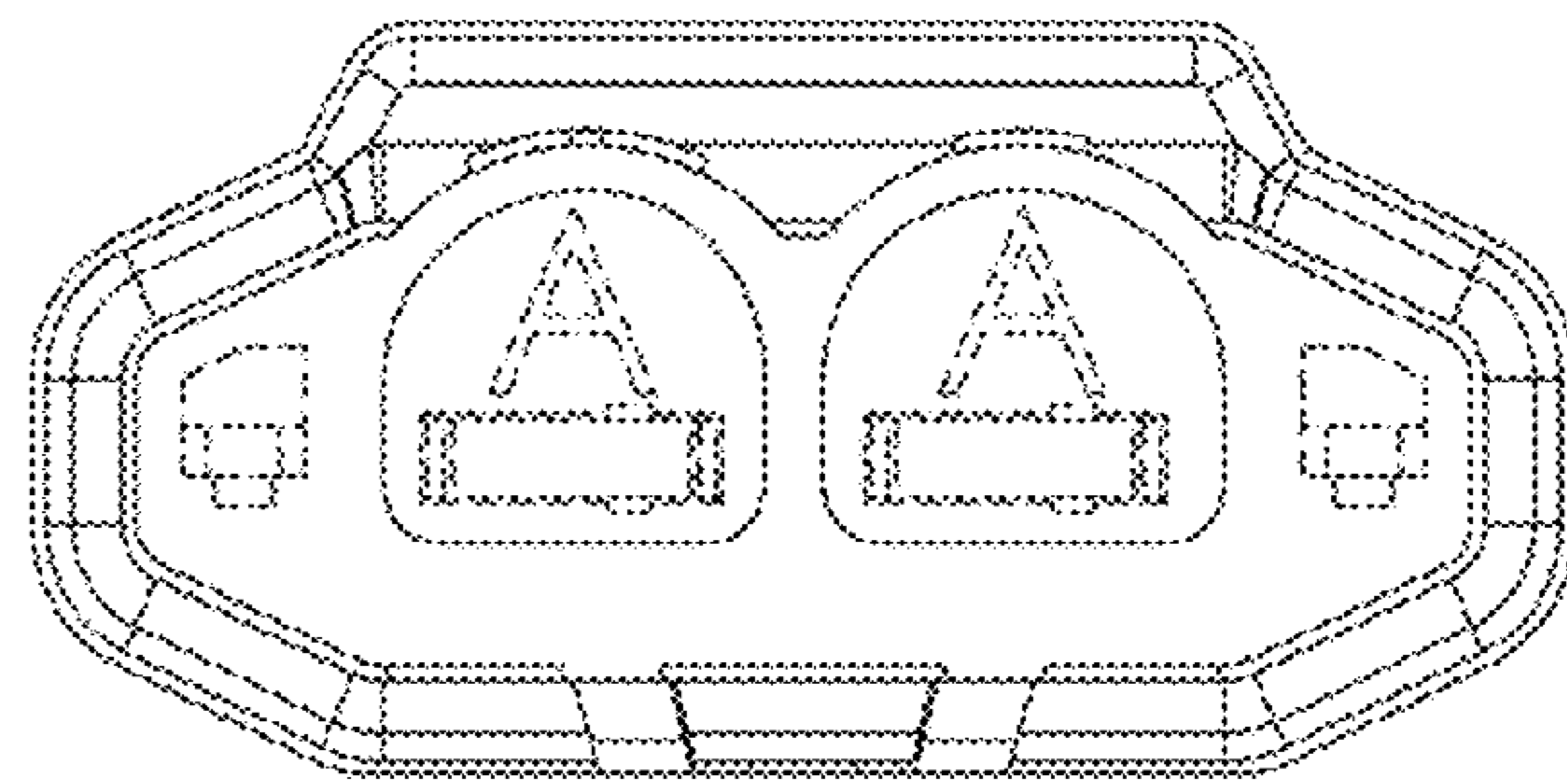


FIG. 9

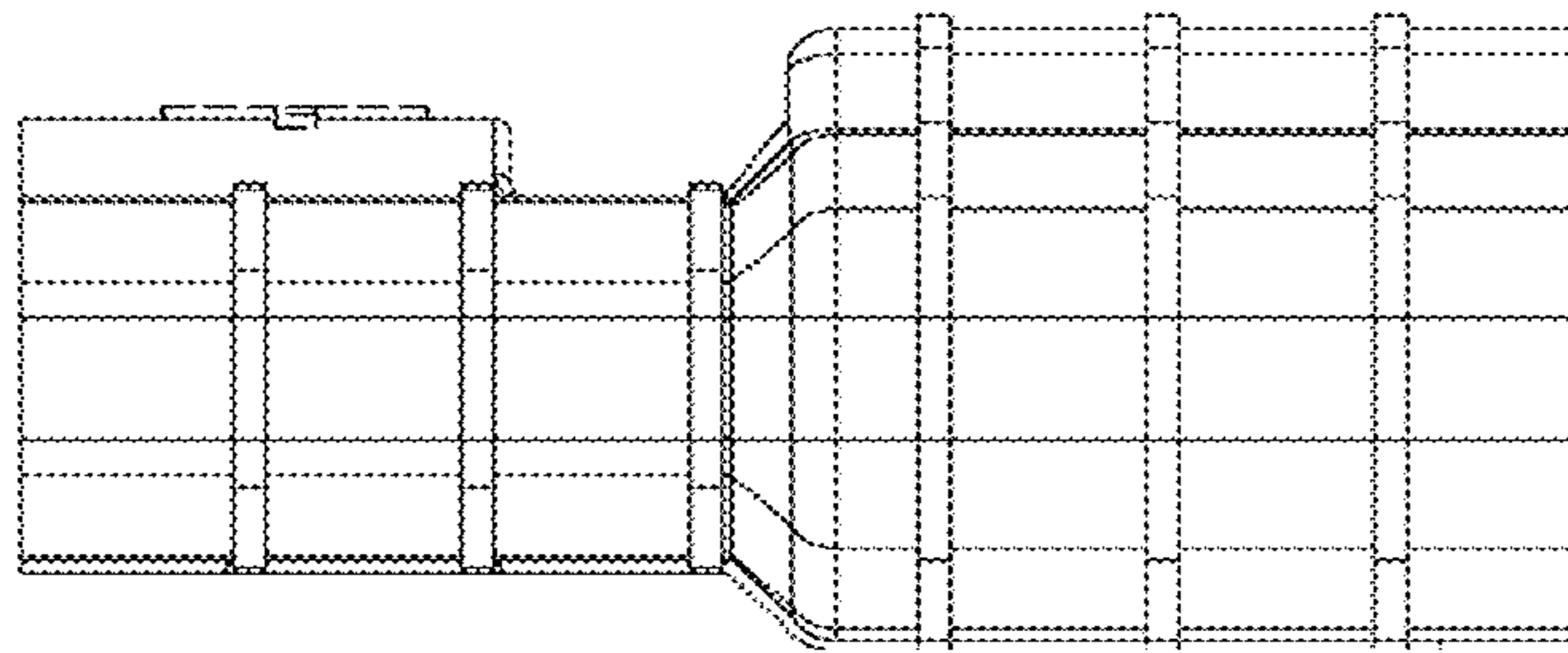


FIG. 10

