



US00D743336S

(12) **United States Design Patent**
Abe

(10) **Patent No.:** **US D743,336 S**

(45) **Date of Patent:** **** Nov. 17, 2015**

(54) **MICROSWITCH**

(71) Applicant: **OMRON Corporation**, Kyoto-shi,
Kyoto (JP)

(72) Inventor: **Takayuki Abe**, Kurayoshi (JP)

(73) Assignee: **OMRON Corporation**, Kyoto (JP)

(**) Term: **14 Years**

(21) Appl. No.: **29/515,585**

(22) Filed: **Jan. 23, 2015**

Related U.S. Application Data

(62) Division of application No. 29/461,841, filed on Jul.
29, 2013, now Pat. No. Des. 728,472.

(30) **Foreign Application Priority Data**

Jan. 31, 2013 (JP) 2013-001920

Jan. 31, 2013 (JP) 2013-001921

(51) **LOC (10) Cl.** **13-02**

(52) **U.S. Cl.**
USPC **D13/110**

(58) **Field of Classification Search**

USPC D13/110, 118, 123, 124, 125, 133, 146,
D13/147, 154, 158, 159, 160, 161, 162,
D13/162.1, 163, 164, 166, 177, 178, 179,
D13/182, 184, 199; 439/212, 251, 521, 651,
439/709, 732; 174/99 B, 138 F, 149 B;
D9/423, 414, 435, 444, 759; 200/529,
200/530

CPC H01H 13/14; H01H 3/58

See application file for complete search history.

(56) **References Cited**

U.S. PATENT DOCUMENTS

3,761,654 A * 9/1973 Davis 200/61.58 R

3,857,003 A * 12/1974 Nishio et al. 200/409

4,138,603 A *	2/1979	Hudimac, Jr.	200/330
4,230,922 A	10/1980	Habecker	
4,684,770 A *	8/1987	Pitrat et al.	200/464
D294,346 S	2/1988	Holmes	
4,882,461 A	11/1989	Kamisada	
4,906,808 A	3/1990	Burgess et al.	
5,132,499 A	7/1992	Valenzona et al.	
5,145,059 A	9/1992	Park	
D330,698 S *	11/1992	Thompson	D13/123
5,226,529 A	7/1993	Valenzona	
5,369,233 A *	11/1994	Gallone	200/83 J
5,453,589 A *	9/1995	Mayer	200/302.1
5,453,590 A *	9/1995	Mayer	200/461
5,504,286 A *	4/1996	Tsai	200/5 R
6,025,657 A *	2/2000	Lo et al.	307/125
D434,723 S *	12/2000	Fushimi	D13/110
D443,857 S	6/2001	Kwalick, Jr.	
D722,571 S *	2/2015	Aromin	D13/160
2006/0016678 A1 *	1/2006	Mayer	200/402
2014/0202842 A1	7/2014	Abe	

* cited by examiner

Primary Examiner — Derrick Holland

Assistant Examiner — Jennifer O King

(74) *Attorney, Agent, or Firm* — Harness, Dickey & Pierce,
P.L.C.

(57) **CLAIM**

The ornamental design for a microswitch, as shown and
described.

DESCRIPTION

FIG. 1 is a top, front and right side perspective view of a
microswitch showing my new design.

FIG. 2 is a bottom, rear and left side perspective view thereof;

FIG. 3 is a front elevational view thereof;

FIG. 4 is a rear elevational view thereof;

FIG. 5 is a left side view thereof;

FIG. 6 is a right side view thereof;

FIG. 7 is a top plan view thereof; and,

FIG. 8 is a bottom plan view thereof.

The broken lines shown represent unclaimed subject matter
and form no part of the claimed design.

1 Claim, 3 Drawing Sheets

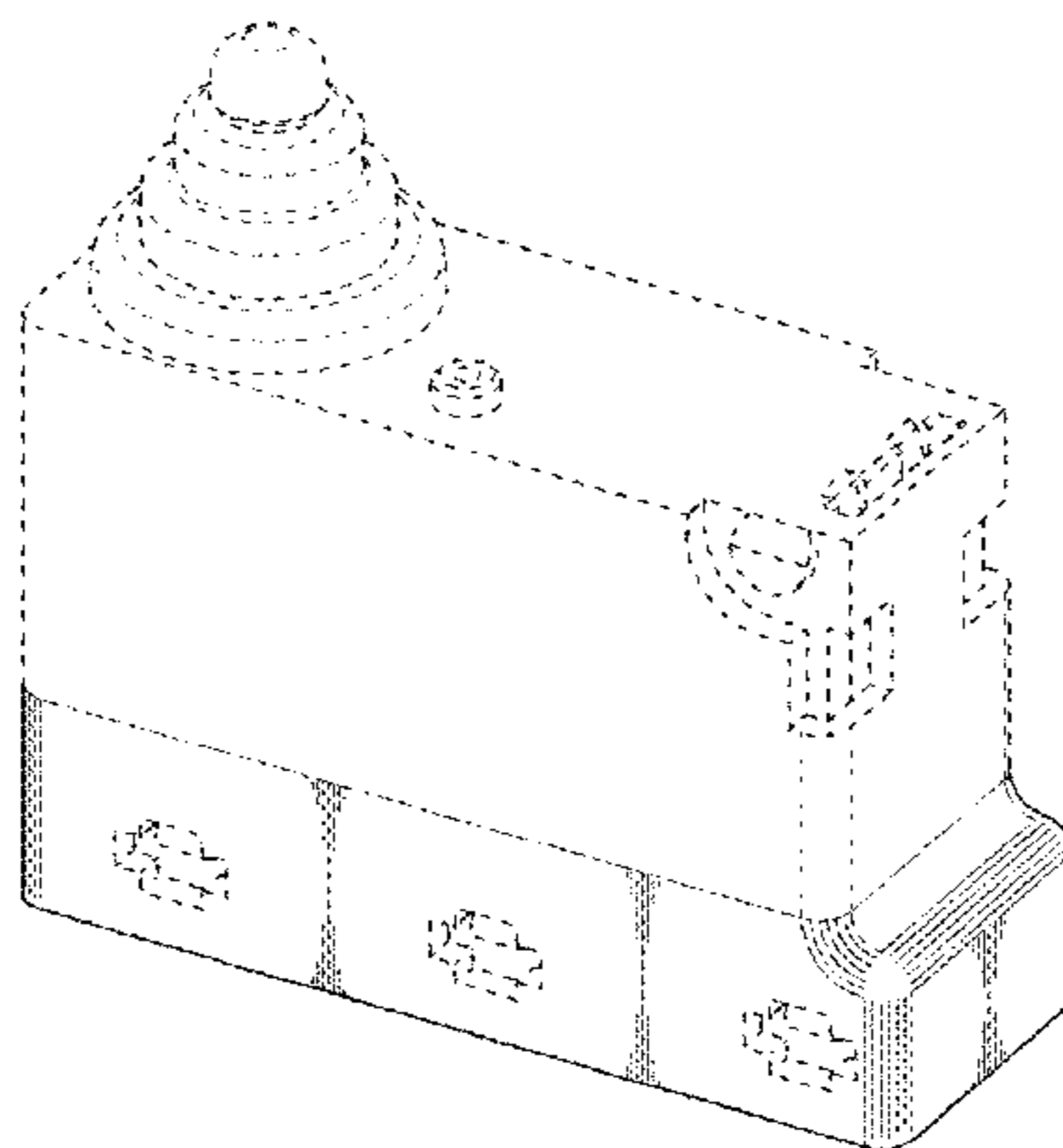


Fig. 1

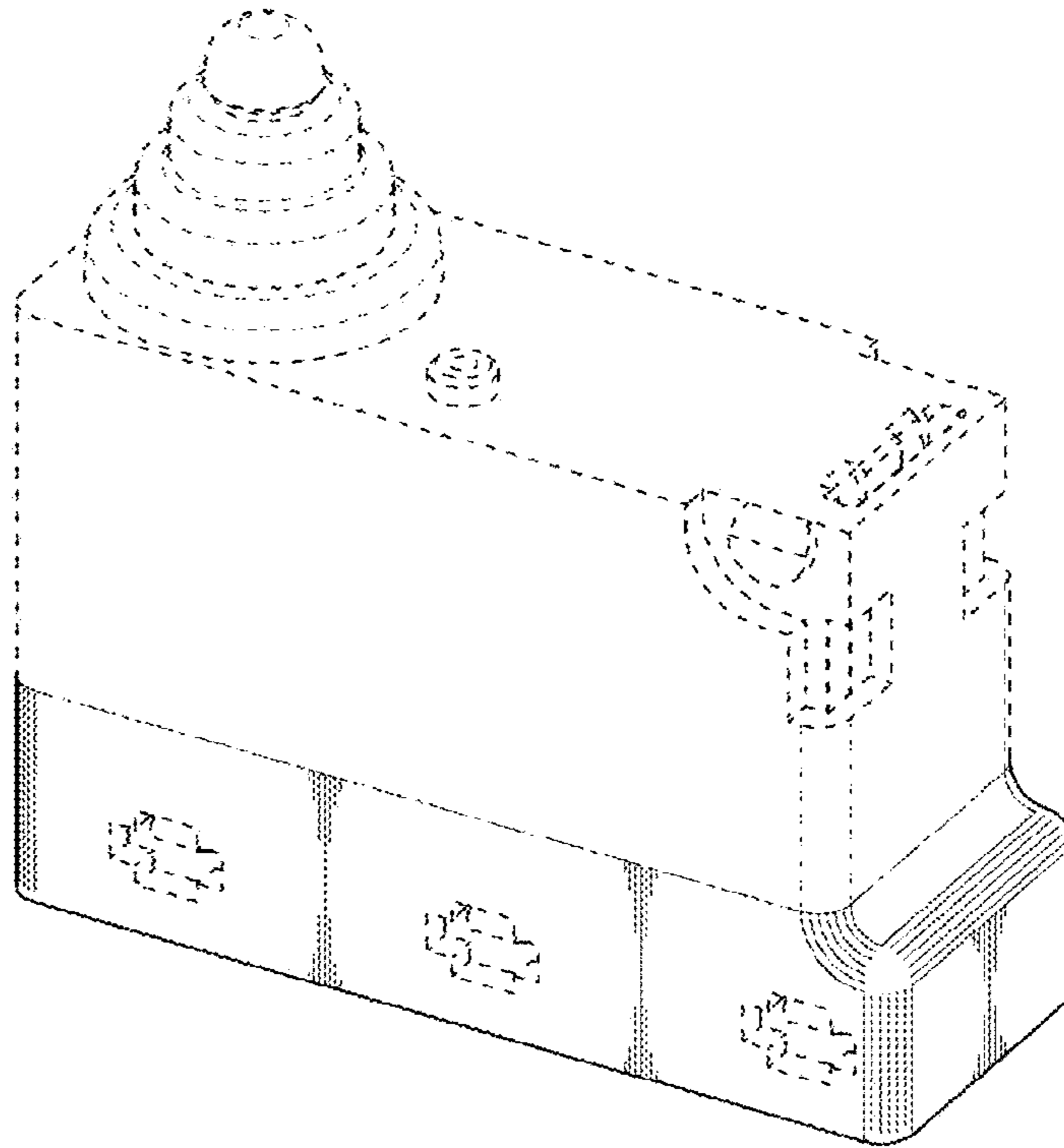


Fig. 2

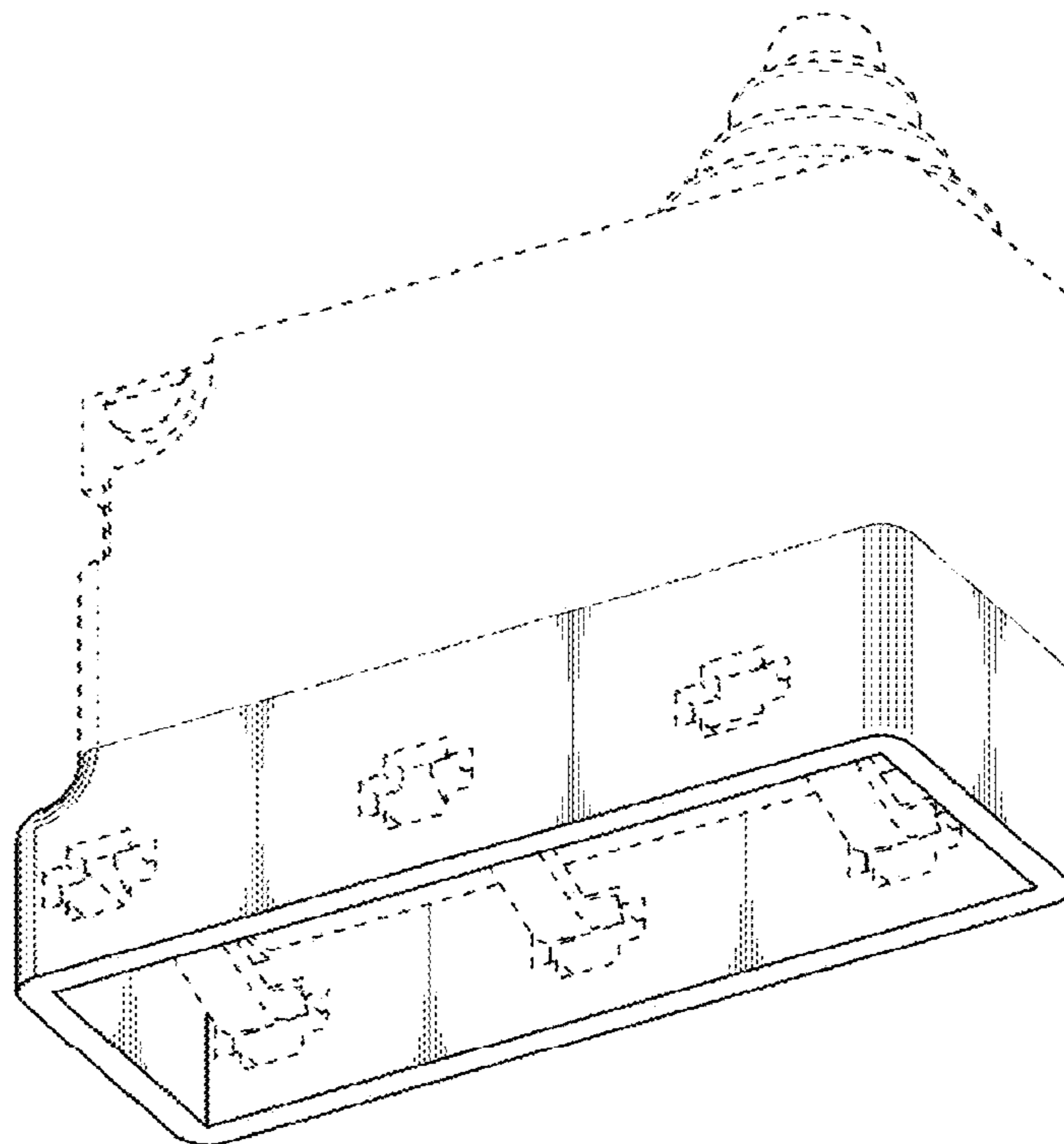


Fig. 3

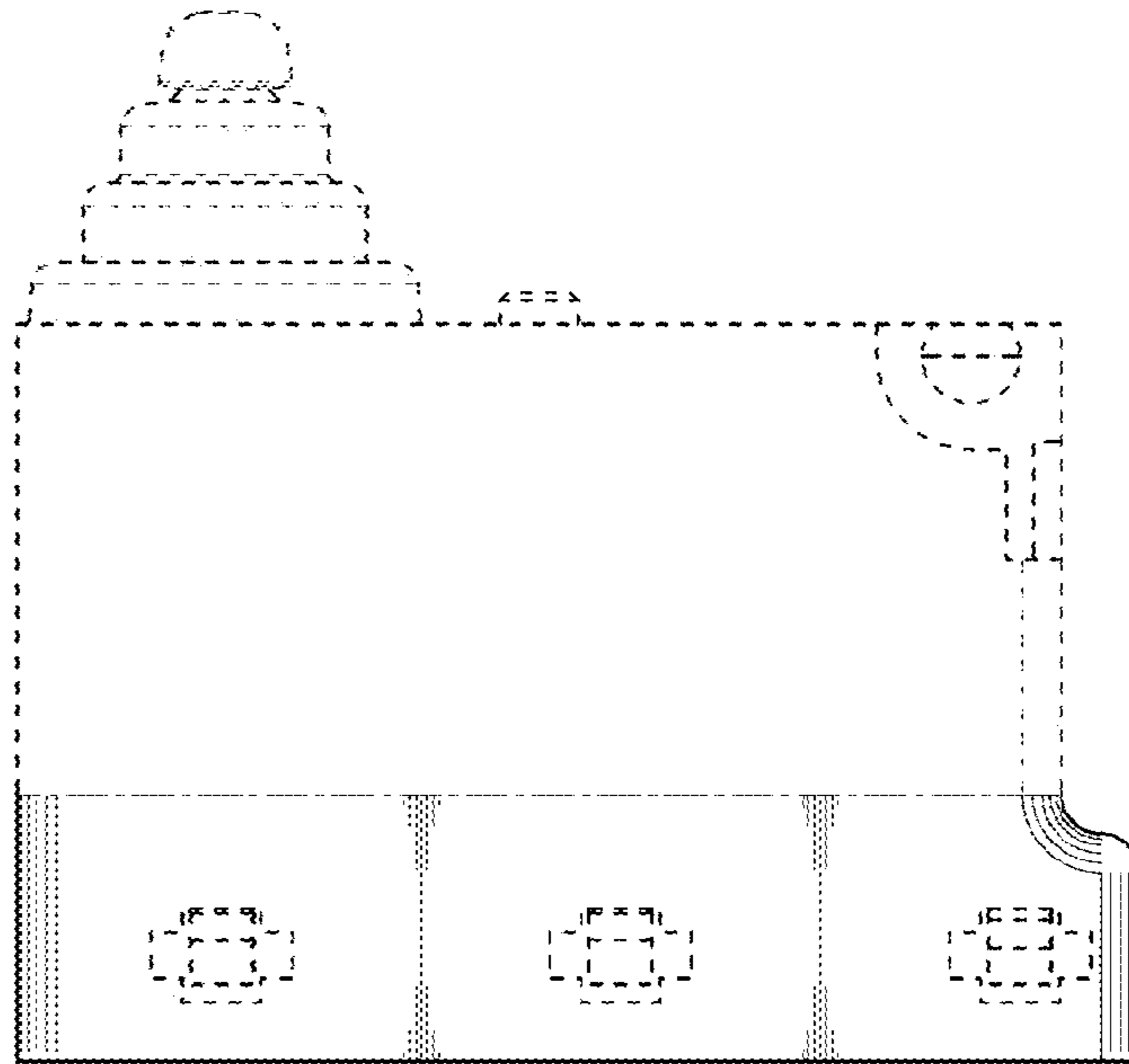


Fig. 4

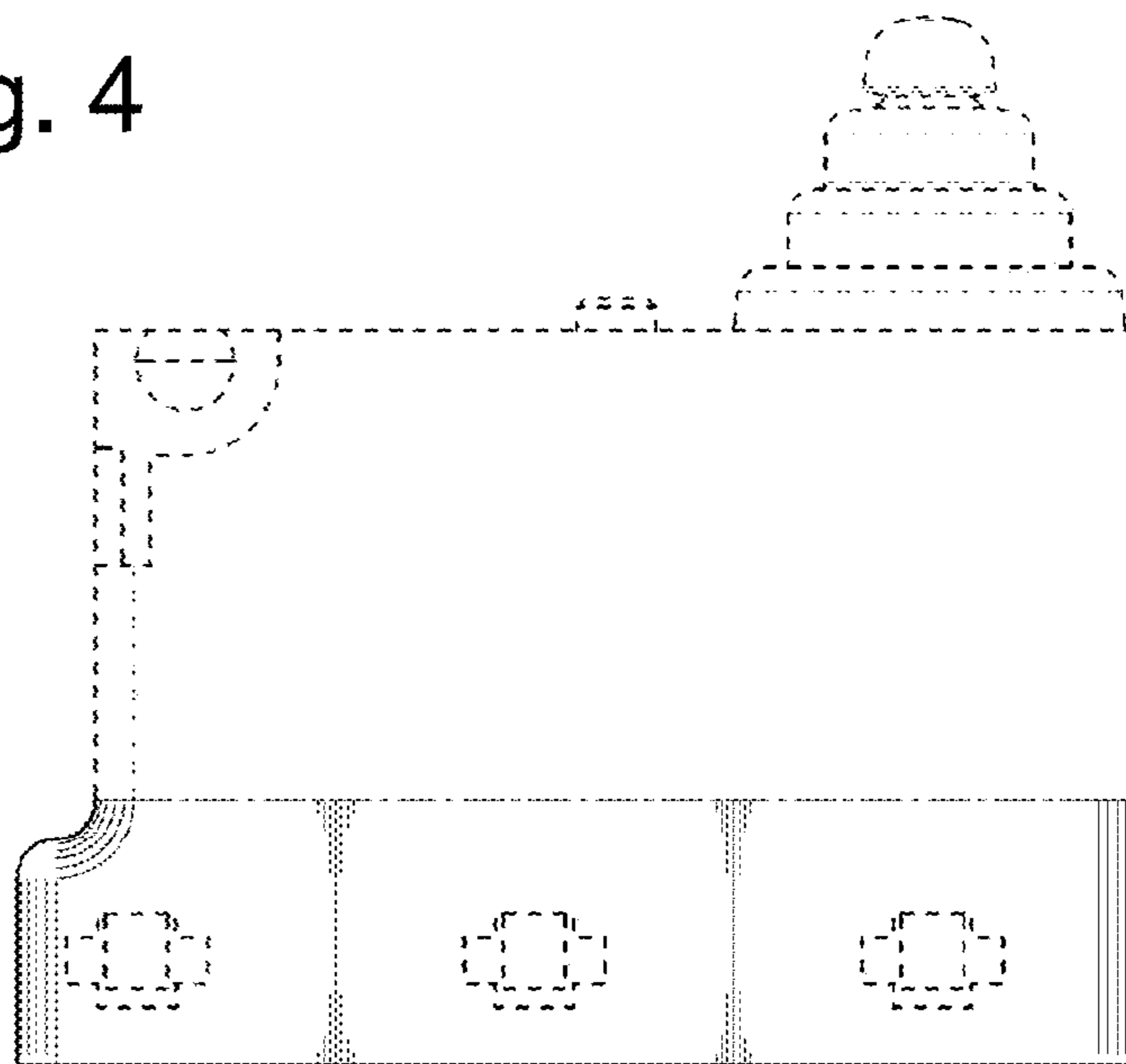


Fig. 5

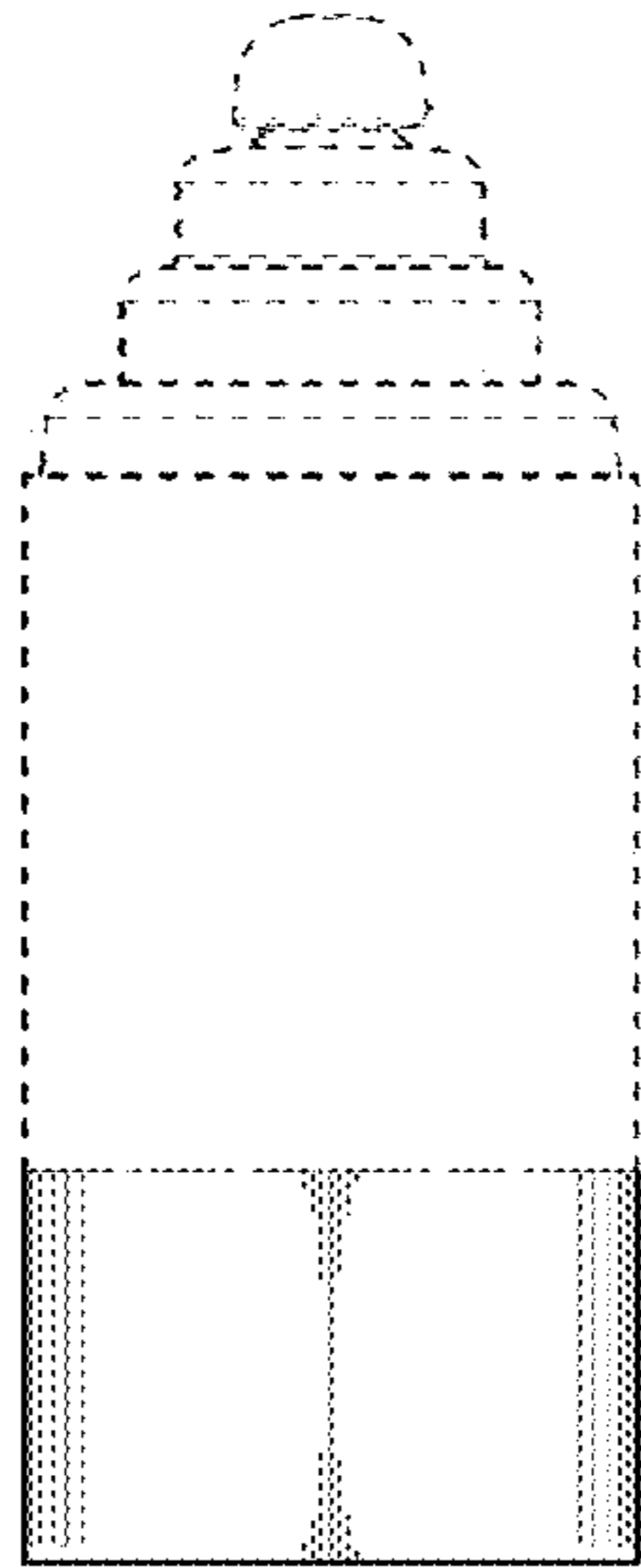


Fig. 6

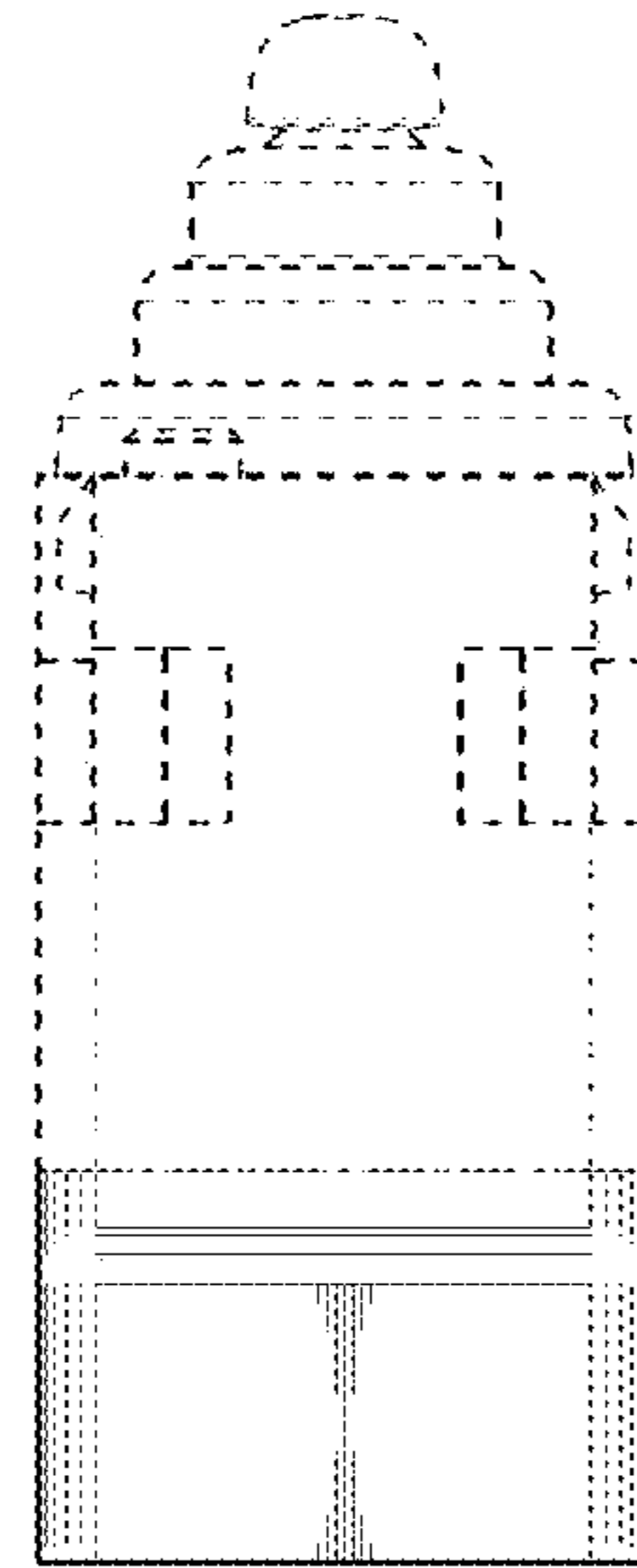


Fig. 7

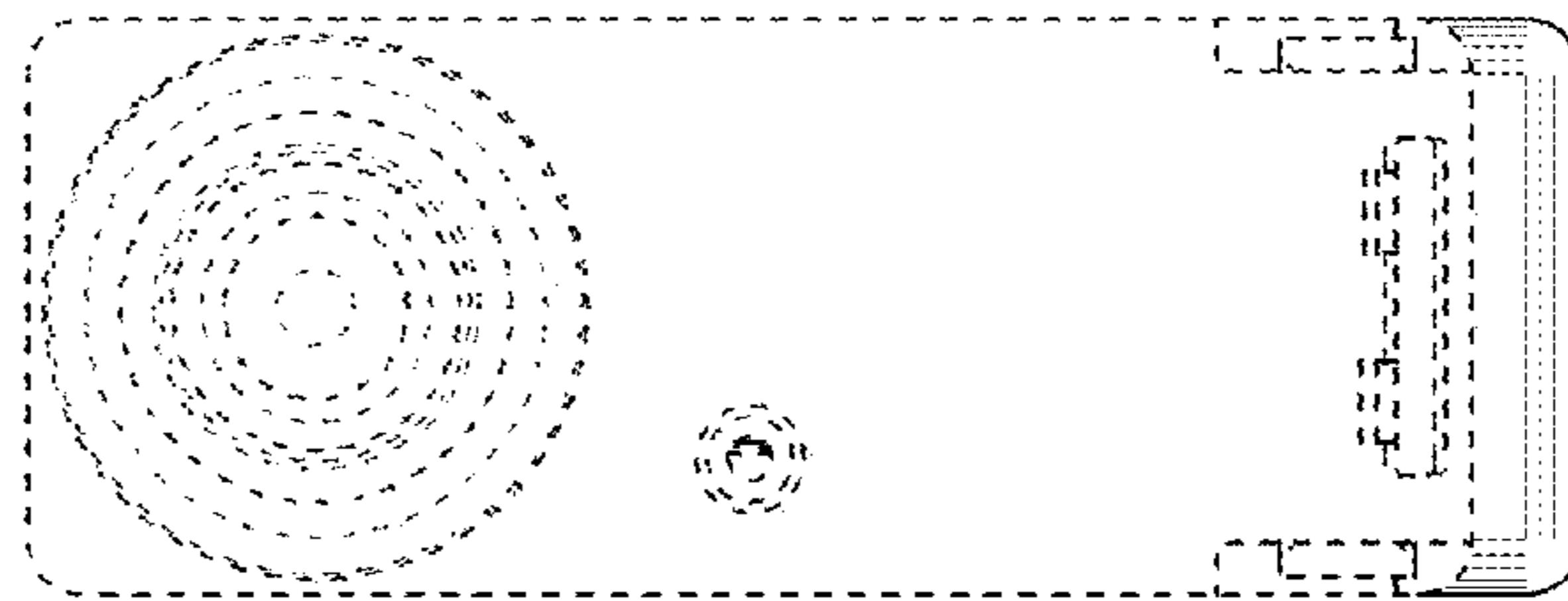


Fig. 8

