



US00D743334S

(12) **United States Design Patent**
Peek et al.

(10) **Patent No.:** **US D743,334 S**
(45) **Date of Patent:** **** Nov. 17, 2015**

- (54) **WIRELESS CHARGING DEVICE**
- (71) Applicant: **Intel Corporation**, Santa Clara, CA (US)
- (72) Inventors: **Gregory A. Peek**, North Plains, OR (US); **Mark R. Francis**, Portland, OR (US); **Torrey W. Frank**, Chandler, AZ (US); **Ichiang Sun**, Portland, OR (US); **Arthur Dietrich-Croy**, Portland, OR (US)
- (73) Assignee: **Intel Corporation**, Santa Clara, CA (US)
- (**) Term: **14 Years**
- (21) Appl. No.: **29/513,783**
- (22) Filed: **Jan. 22, 2015**

Related U.S. Application Data

- (62) Division of application No. 29/477,905, filed on Dec. 28, 2013, now Pat. No. Des. 724,025.
- (51) **LOC (10) Cl.** **13-02**
- (52) **U.S. Cl.**
USPC **D13/108**
- (58) **Field of Classification Search**
USPC D13/107–110, 118–119, 182, 199;
D14/251, 253, 432, 434; 320/107–115
CPC Y02E 60/12; Y02T 90/14; Y02T 90/122;
Y02T 90/128; Y02T 90/163; H02J 7/025;
H02J 7/0042; H02J 7/0044; H02J 7/0045;
H02J 7/0003; H01F 38/14; H01R 13/6675;
H01M 2/1022; H01M 2/1055; H01M 10/44;
H01M 10/46; H01M 10/425; B60L 11/182
See application file for complete search history.

(56) **References Cited**

U.S. PATENT DOCUMENTS

- D416,536 S * 11/1999 Ross et al. D13/107
- D469,439 S * 1/2003 Bradley D14/434

- D469,774 S * 2/2003 Bradley D14/434
- D489,322 S * 5/2004 Sawai et al. D13/108
- D568,327 S * 5/2008 Fitch et al. D14/453
- D568,808 S * 5/2008 Hamasaki D13/108
- D572,188 S * 7/2008 Prat-Pfister D13/108
- D588,141 S * 3/2009 Heggland et al. D14/451
- D588,985 S * 3/2009 O'Hern D13/107
- 7,710,071 B2 * 5/2010 Elizalde Rodarte 320/115
- D621,346 S * 8/2010 Navid D13/108
- D657,740 S * 4/2012 Prat-Pfister D13/108
- 8,497,659 B2 * 7/2013 Navid 320/108
- D691,947 S * 10/2013 Cole et al. D13/108
- D692,376 S * 10/2013 Palmer et al. D13/108
- 2009/0102419 A1 * 4/2009 Gwon et al. 320/108

* cited by examiner

Primary Examiner — Rosemary K Tarcza
(74) *Attorney, Agent, or Firm* — Jordan IP Law, LLC

(57) **CLAIM**

The ornamental design for a wireless charging device, as shown and described.

DESCRIPTION

FIG. 1 is a front perspective view of a wireless charging device, in accordance with the embodiment;
 FIG. 2 is a side view of a wireless charging device, in accordance with the embodiment;
 FIG. 3 is a side view of a wireless charging device, in accordance with the embodiment;
 FIG. 4 is a rear view of a wireless charging device, in accordance with the embodiment;
 FIG. 5 is a front view of a wireless charging device, in accordance with the embodiment; and,
 FIG. 6 is a top view of a wireless charging device, in accordance with the embodiment.
 Broken lines of the FIGURES are illustrative and depict environment; therefore, they form no part of the claimed design. Additionally, in some embodiments, non-oblique line shading is meant to show contour of represented surfaces, not surface ornamentation.

1 Claim, 6 Drawing Sheets

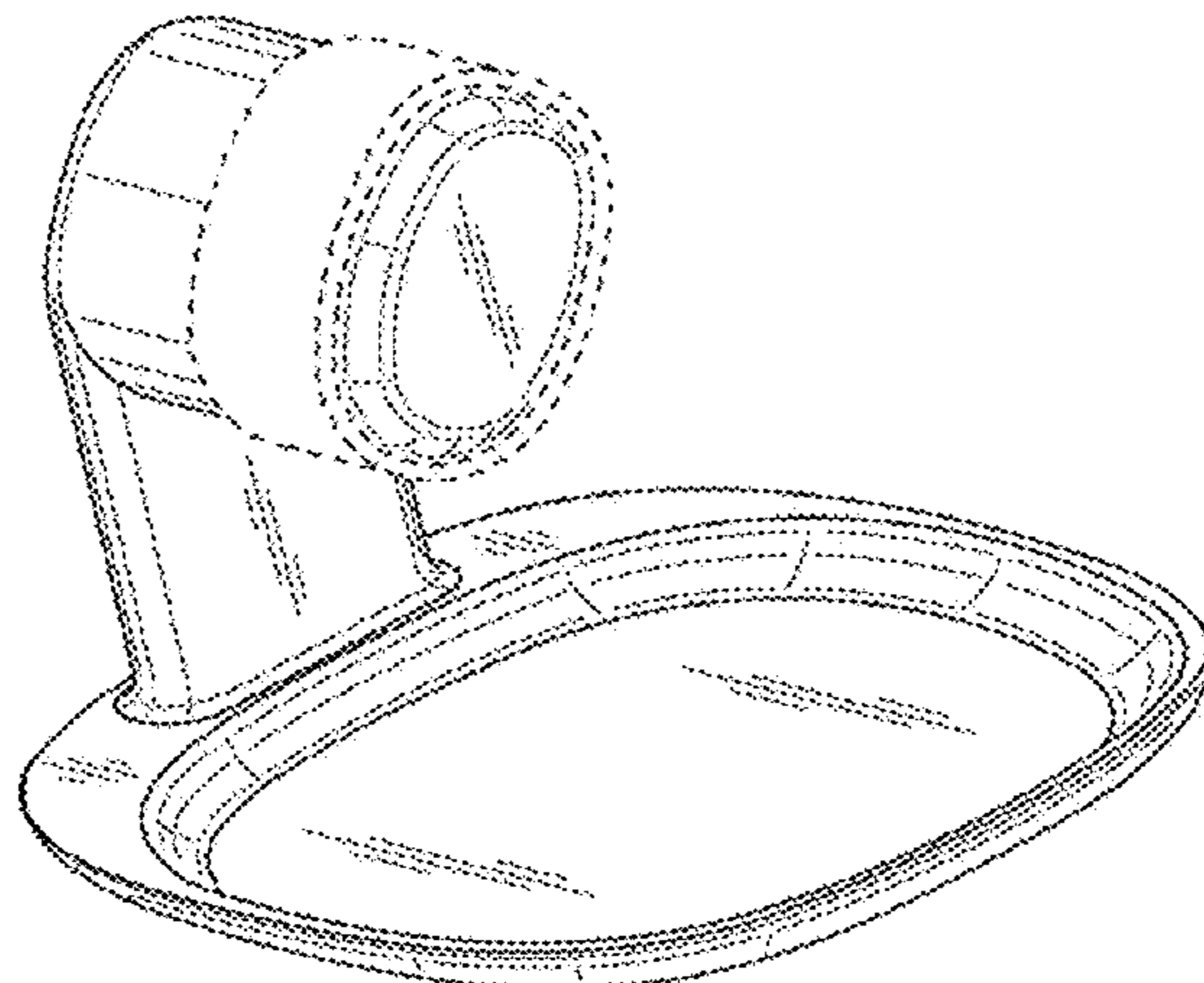


FIG. 1

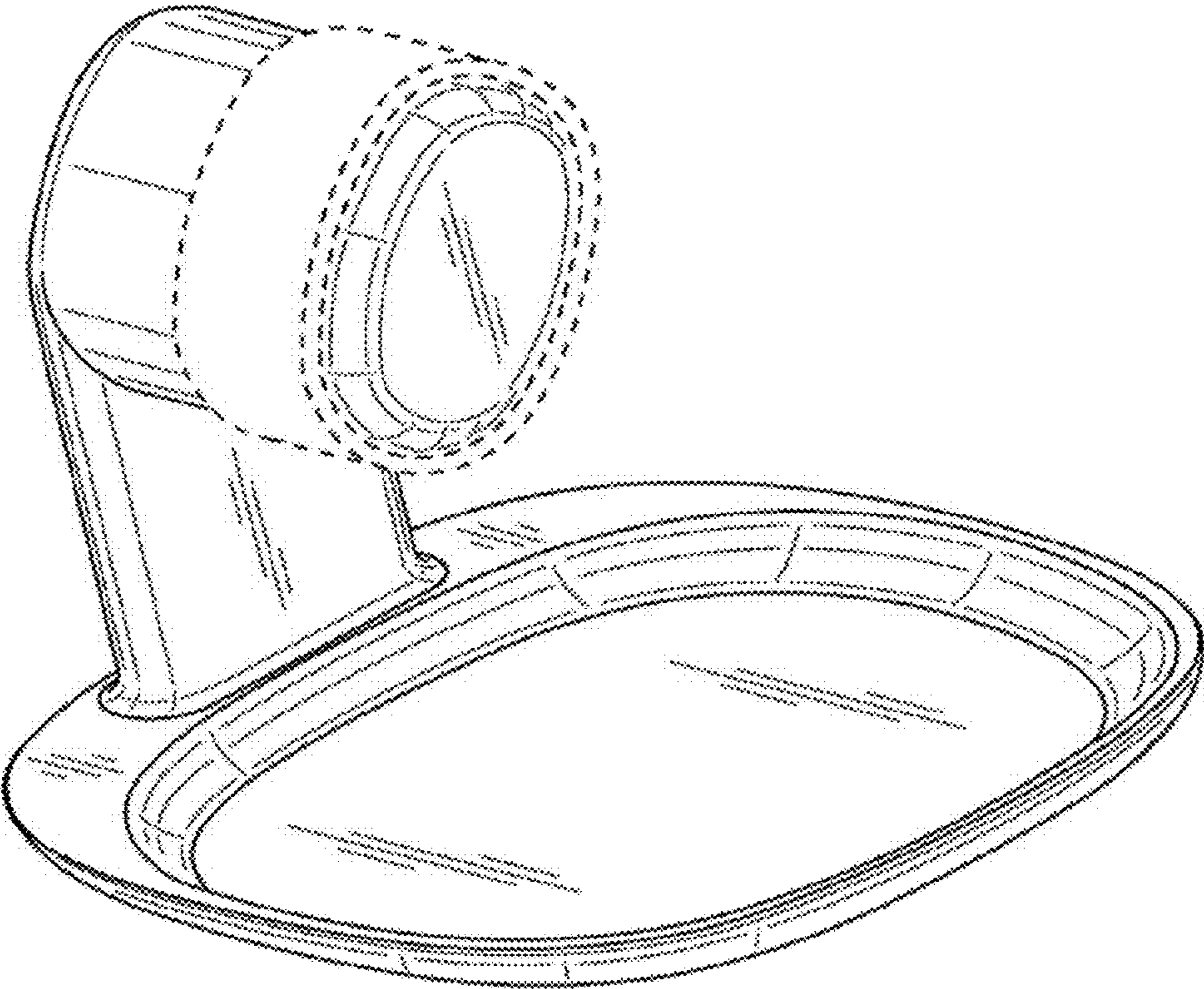


FIG. 2

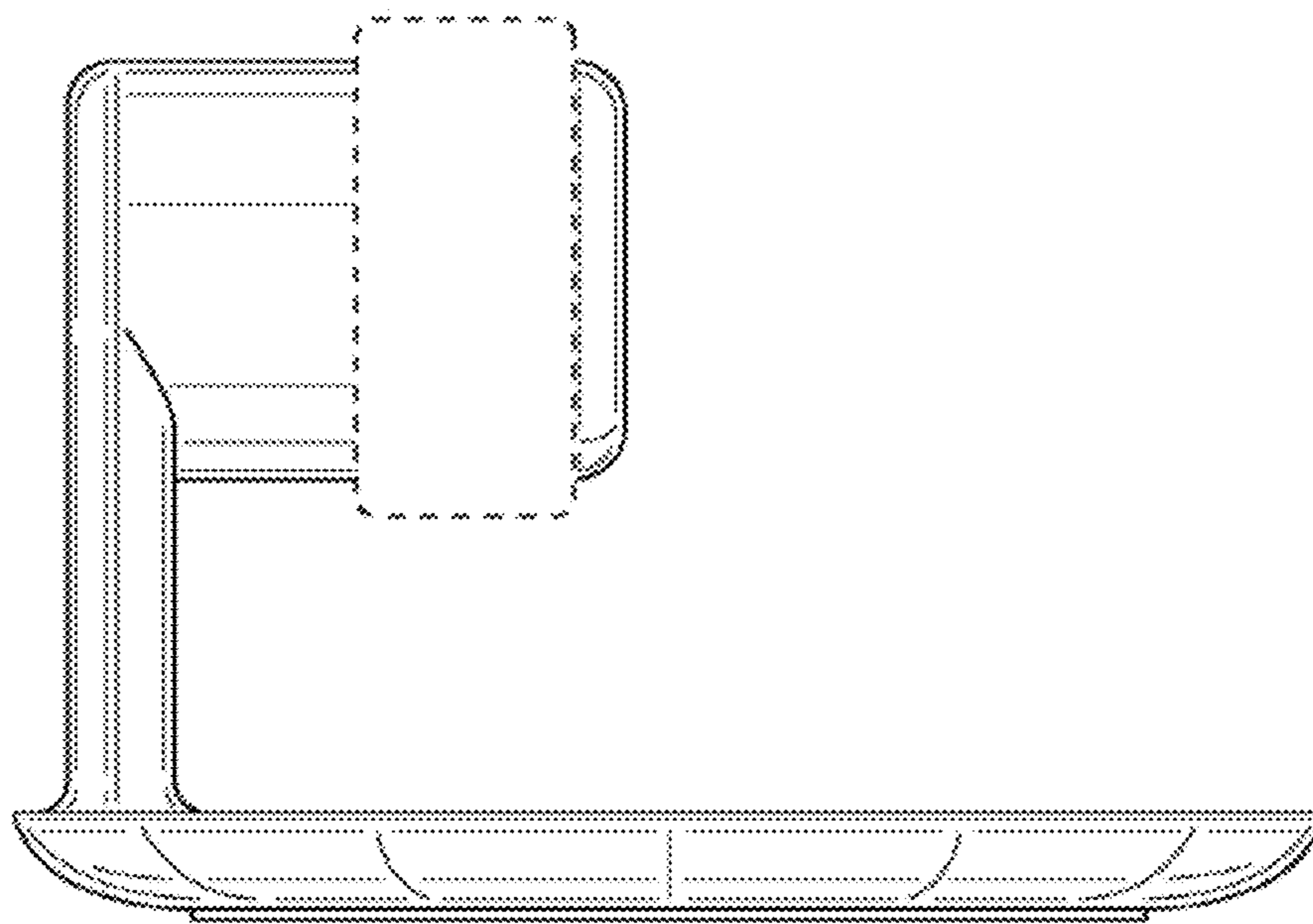


FIG. 3

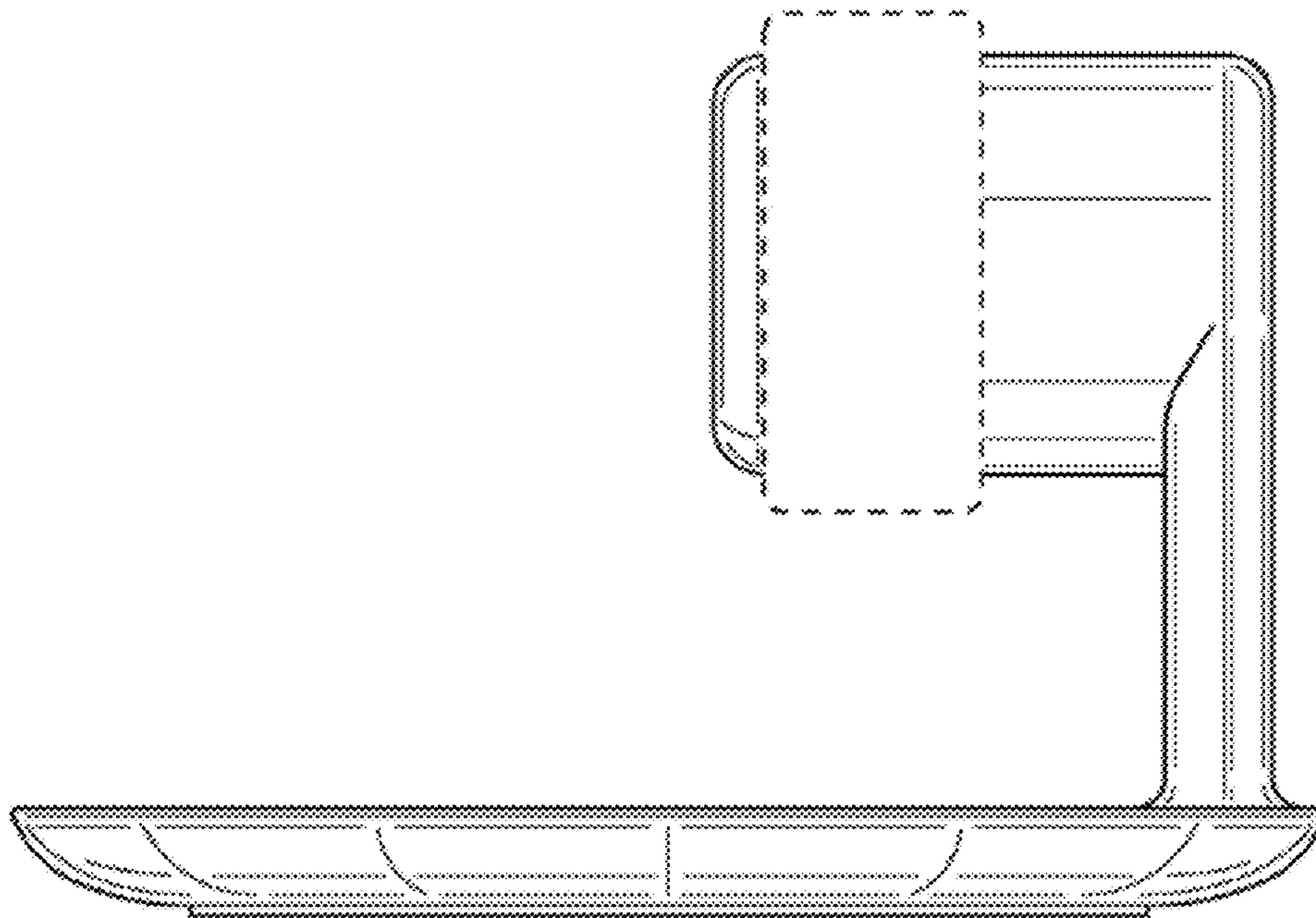


FIG. 4

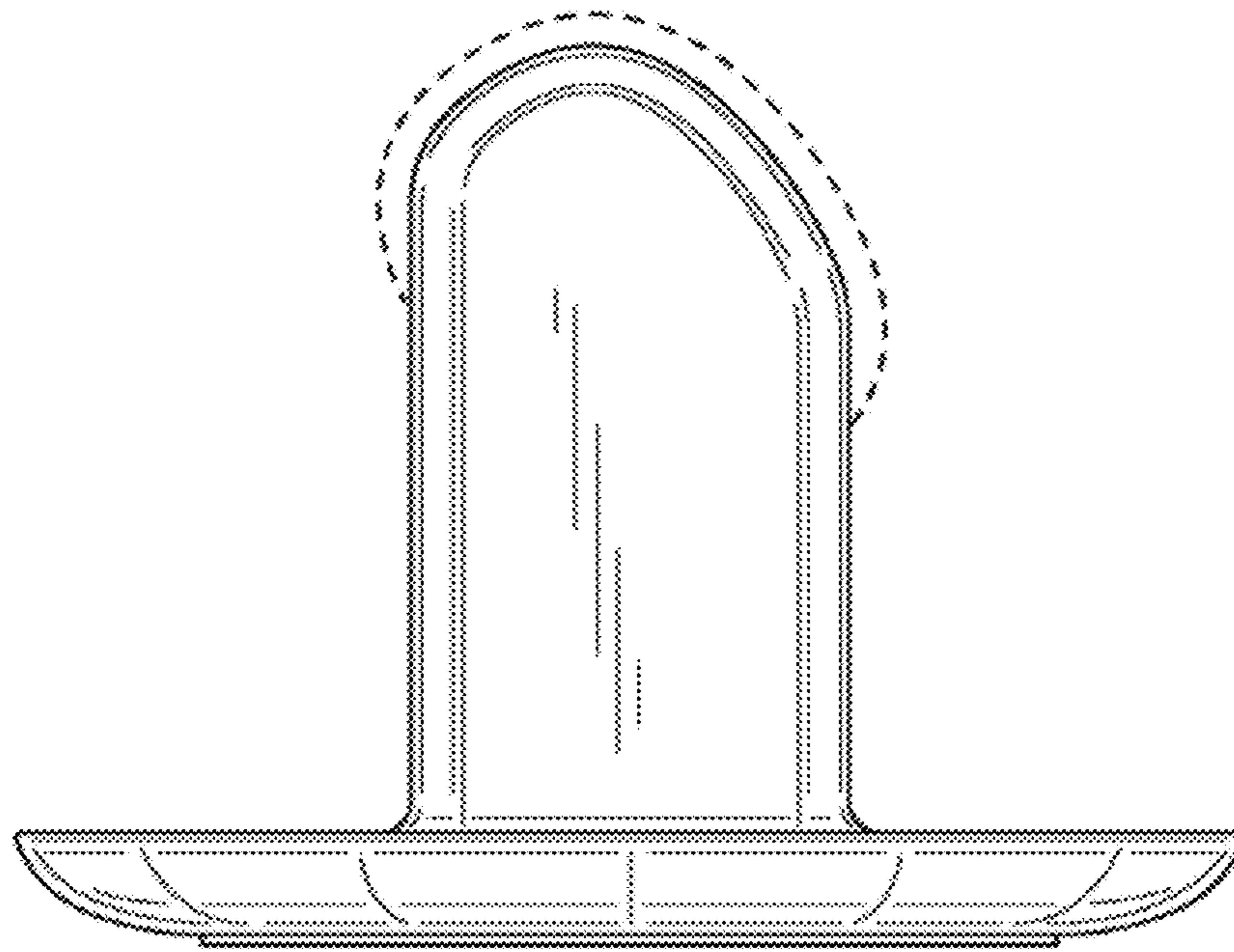


FIG. 5

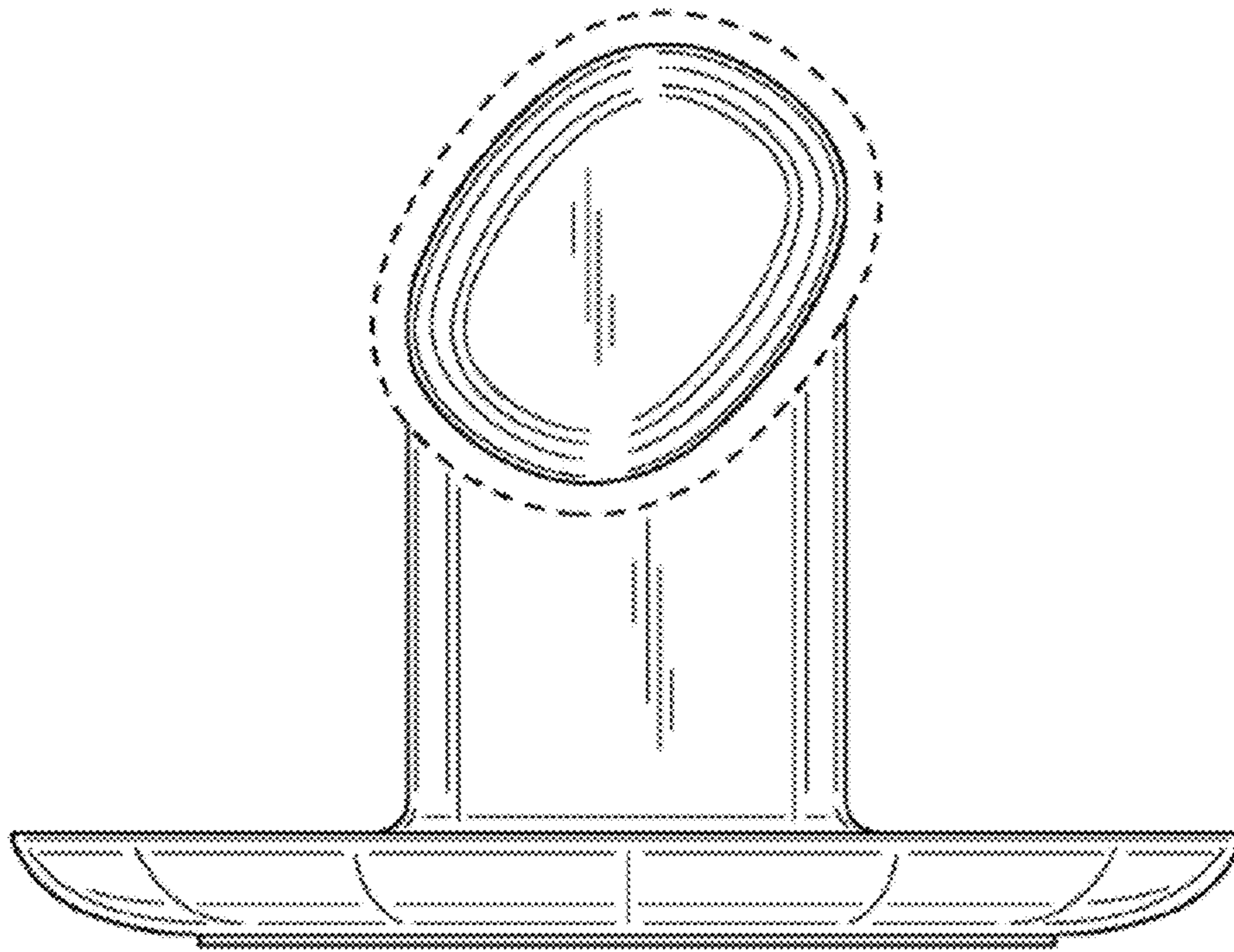


FIG. 6

