



US00D743332S

(12) **United States Design Patent**
Ju et al.

(10) **Patent No.:** **US D743,332 S**
(45) **Date of Patent:** **** Nov. 17, 2015**

- (54) **POWER BANK**
- (71) Applicant: **GETAC TECHNOLOGY CORPORATION**, Hsinchu County (TW)
- (72) Inventors: **Shuan-Yeong Ju**, Taipei (TW); **Chih-Hsien Yang**, Taipei (TW)
- (73) Assignee: **Getac Technology Corporation**, Hsinchu County (TW)
- (**) Term: **14 Years**
- (21) Appl. No.: **29/460,300**
- (22) Filed: **Jul. 9, 2013**
- (51) **LOC (10) Cl.** **13-02**
- (52) **U.S. Cl.**
USPC **D13/108**; D13/103
- (58) **Field of Classification Search**
USPC D13/103, 107-110, 118-119, 182, 199;
D14/251, 253, 432, 434; 320/107-115
CPC Y02E 60/12; Y02E 90/14; Y02E 90/122;
Y02E 90/128; Y02E 90/163; H02J 7/025;
H02J 7/0042; H02J 7/0044; H02J 7/0045;
H02J 7/0003; H01F 38/14; H01R 13/6675;
H01M 2/1022; H01M 2/1055; H01M 10/44;
H01M 10/46; H01M 10/425
See application file for complete search history.

(56) **References Cited**

U.S. PATENT DOCUMENTS

D246,240 S *	11/1977	Hansen	D13/103
D370,888 S *	6/1996	Okumura	D13/108
D520,502 S *	5/2006	Xu	D14/356
D520,997 S *	5/2006	Lee	D14/356
D585,367 S *	1/2009	Dunbar	D13/108
D628,535 S *	12/2010	Cheng	D13/108
D629,746 S *	12/2010	Workman	D13/103

D651,564 S *	1/2012	Workman	D13/108
D652,379 S *	1/2012	Vandiver	D13/108
D654,854 S *	2/2012	Inskeep	D13/107
D667,788 S *	9/2012	Mai	D13/110
D675,156 S *	1/2013	Vandiver	D13/108
D678,191 S *	3/2013	Fitch	D13/108
D682,196 S *	5/2013	Leung	D13/103
D682,197 S *	5/2013	Leung	D13/103
8,541,985 B1 *	9/2013	Wong	G06F 1/1632 320/112
D693,297 S *	11/2013	Inskeep	D13/103
D696,188 S *	12/2013	Loeck	D13/108
D697,867 S *	1/2014	Weinstein	D13/108
D704,640 S *	5/2014	Wen	D13/110
D705,719 S *	5/2014	Wong	D13/103
D705,724 S *	5/2014	Yu	D13/108
2013/0193911 A1 *	8/2013	Miller	H02J 7/0042 320/107

* cited by examiner

Primary Examiner — Rosemary K Tarcza

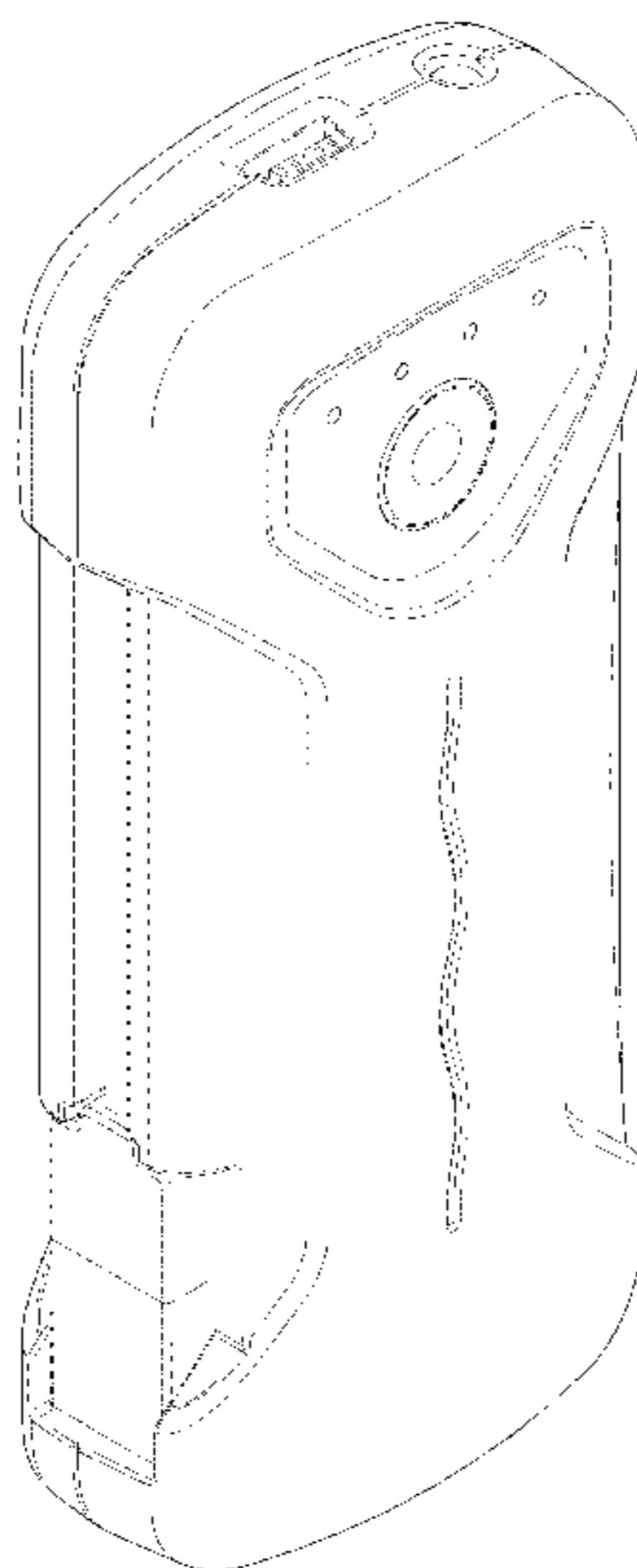
(57) **CLAIM**

The ornamental design for an power bank, as shown and described.

DESCRIPTION

FIG. 1 is a front perspective view of a power bank, showing my new design;
 FIG. 2 is a front view of a power bank, showing my new design;
 FIG. 3 is a rear view of a power bank, showing my new design;
 FIG. 4 is a left side view of a power bank, showing my new design;
 FIG. 5 is a right side view of a power bank, showing my new design;
 FIG. 6 is a top view of a power bank, showing my new design;
 and,
 FIG. 7 is a bottom view of a power bank, showing my new design.

1 Claim, 5 Drawing Sheets



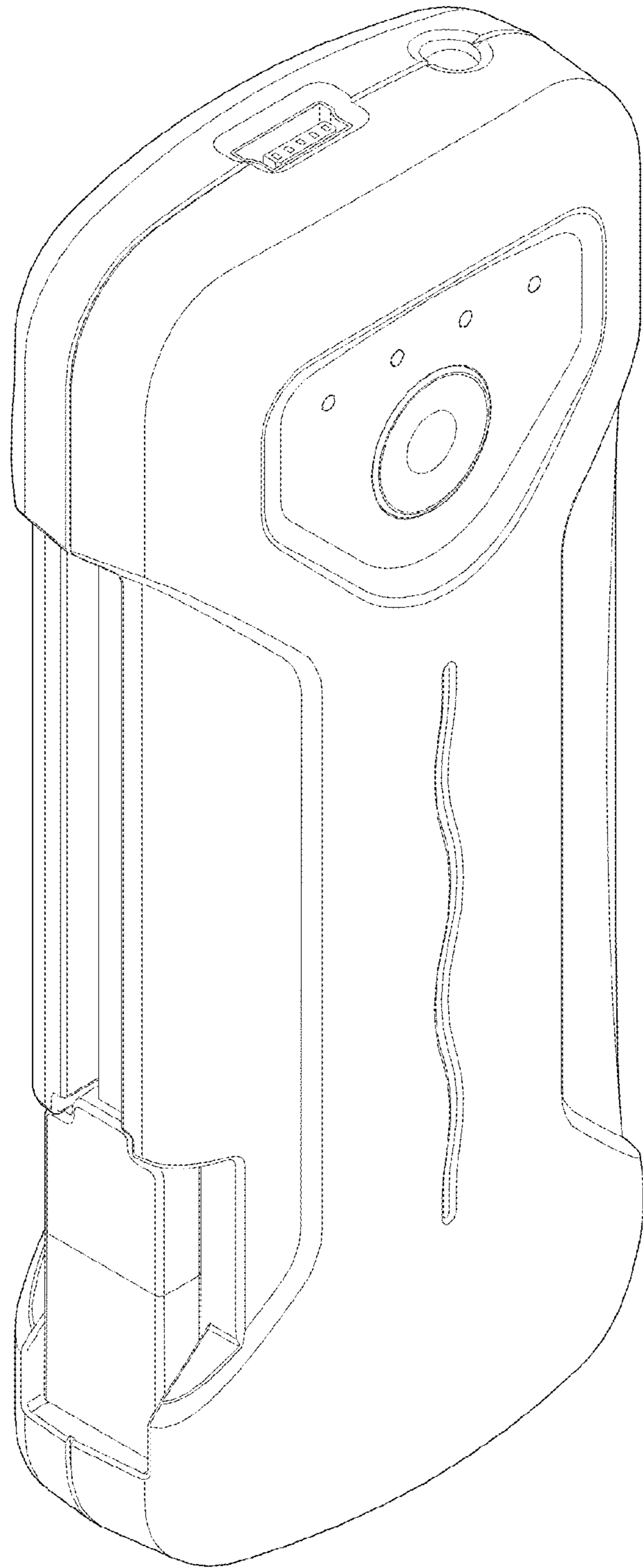


FIG. 1

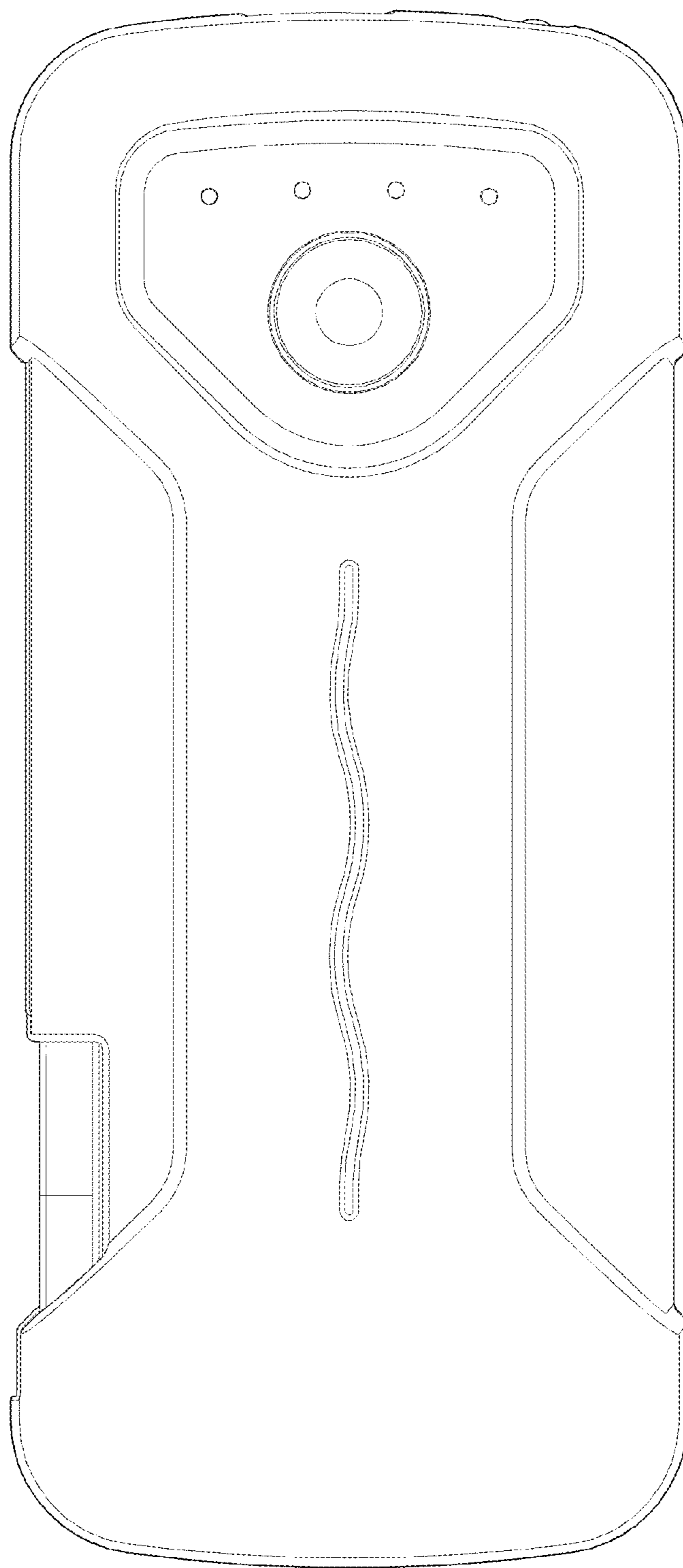


FIG. 2

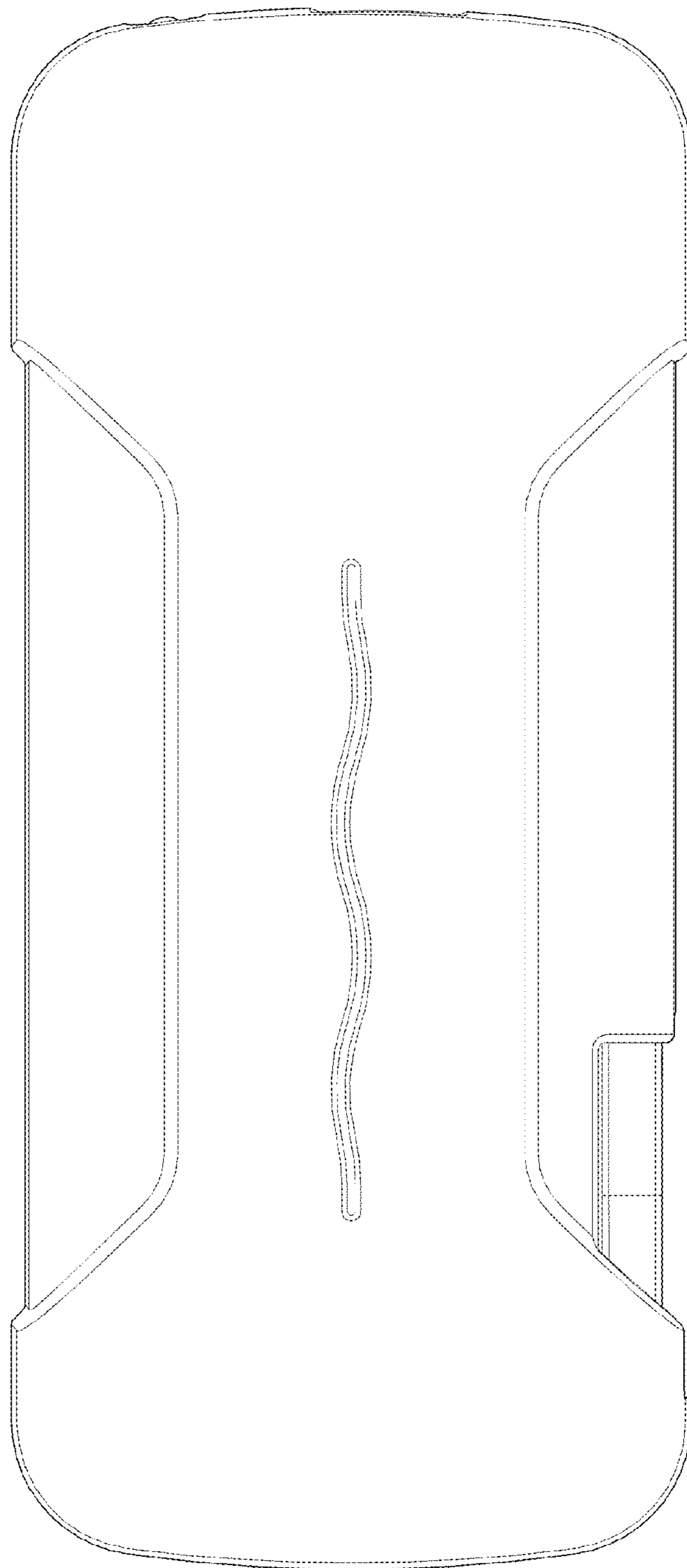


FIG. 3

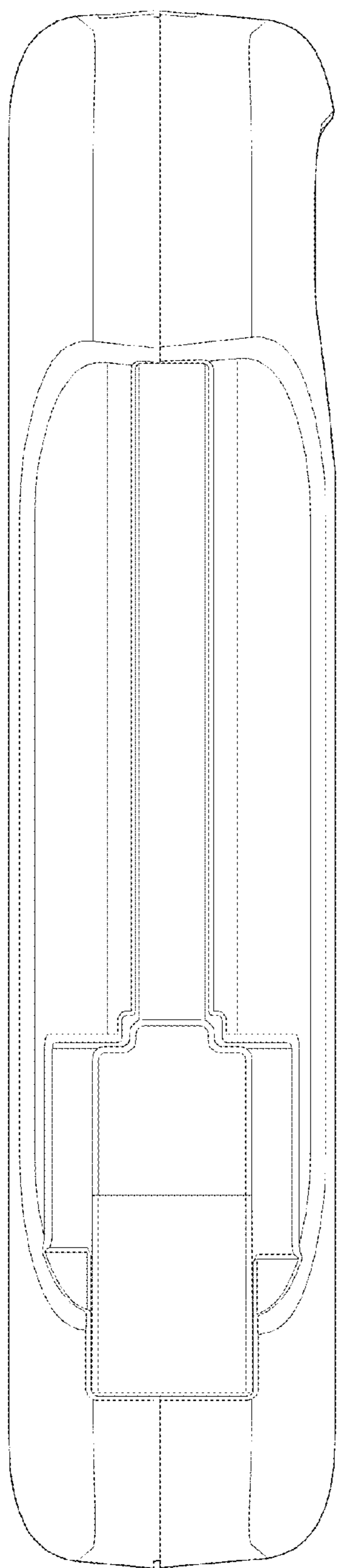


FIG. 4

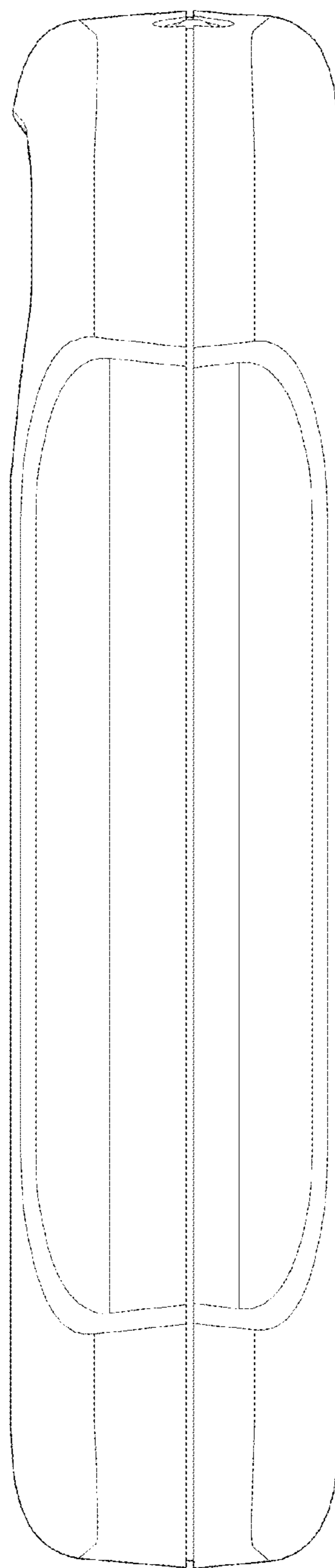


FIG. 5

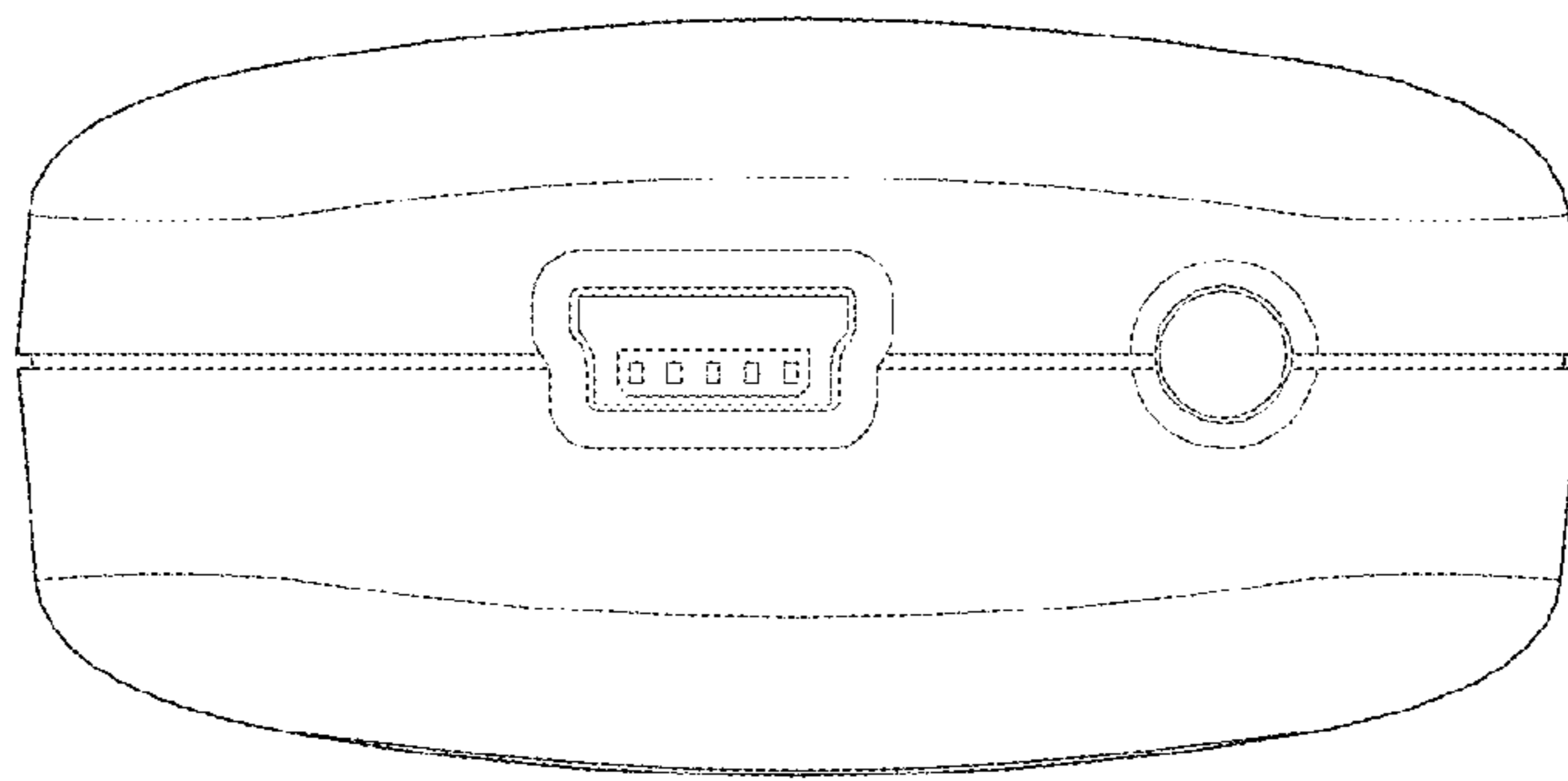


FIG. 6

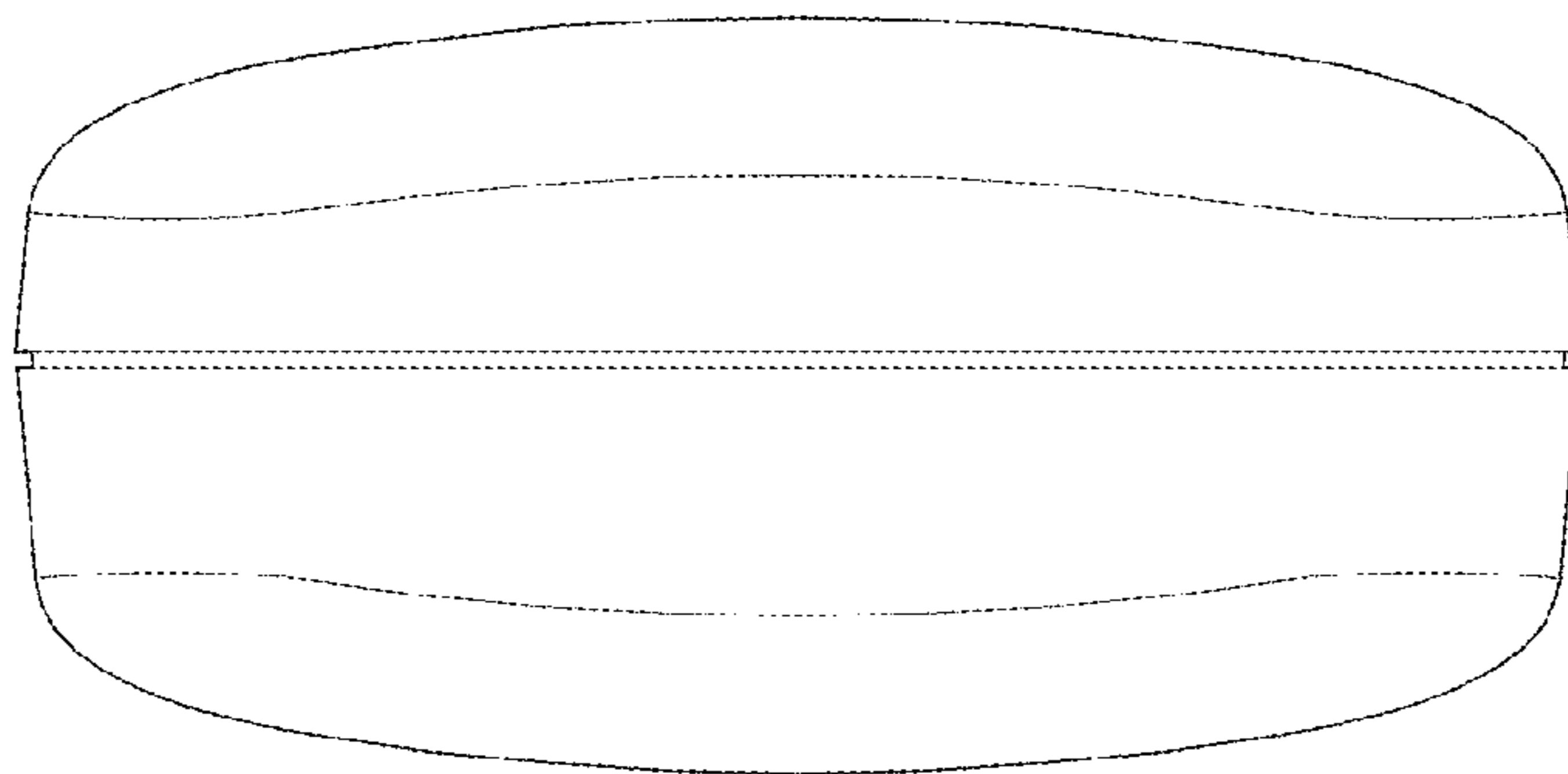


FIG. 7