



US00D743331S

(12) **United States Design Patent**
Racine

(10) **Patent No.:** **US D743,331 S**

(45) **Date of Patent:** **** Nov. 17, 2015**

(54) **BATTERY CHARGER**

(71) Applicant: **Mathieu Racine**, Blainville (CA)

(72) Inventor: **Mathieu Racine**, Blainville (CA)

(**) Term: **14 Years**

(21) Appl. No.: **29/481,829**

(22) Filed: **Feb. 11, 2014**

(51) **LOC (10) Cl.** **13-02**

(52) **U.S. Cl.**
USPC **D13/107**

(58) **Field of Classification Search**
USPC D13/107-110, 118-119, 184, 199;
D14/251, 253, 432, 434

CPC H02J 7/025; H02J 7/0042; H02J 7/0044;
H02J 7/0045; H02J 7/0054; H02J 7/0003;
B60L 11/182; Y02E 60/12; Y02T 10/7005;
Y02T 10/7088; Y02T 90/14; Y02T 90/163;
Y02T 90/122; Y02T 90/128; H01M 2/1022;
H01M 2/1055; H01M 10/46; H01M 10/44;
H01M 10/425; H01F 38/14; H01R 13/6675
See application file for complete search history.

(56) **References Cited**

U.S. PATENT DOCUMENTS

D463,360 S * 9/2002 Lie D13/107
D465,452 S * 11/2002 Lie D13/107
D466,075 S * 11/2002 Lie D13/107
D571,722 S * 6/2008 Kang et al. D13/107
D573,088 S * 7/2008 Castellucci et al. D13/107
D598,845 S * 8/2009 Kingston et al. D13/107
D599,287 S * 9/2009 Kingston et al. D13/107
D623,130 S * 9/2010 Kawakami et al. D13/107

D632,646 S * 2/2011 Fitch et al. D13/107
D632,647 S * 2/2011 Fitch et al. D13/107
D639,732 S * 6/2011 Ueda D13/107
D667,785 S * 9/2012 Ueda et al. D13/107
D689,818 S * 9/2013 Sasada D13/107
D694,177 S * 11/2013 Bennett et al. D13/107
D694,178 S * 11/2013 Bennett et al. D13/107
D694,705 S * 12/2013 Kingston et al. D13/107
2011/0148357 A1 * 6/2011 Lu 320/111

* cited by examiner

Primary Examiner — Rosemary K Tarcza

(74) *Attorney, Agent, or Firm* — Myers Bigel Sibley & Sajovec, P.A.

(57) **CLAIM**

The ornamental design for a battery charger, as shown and described.

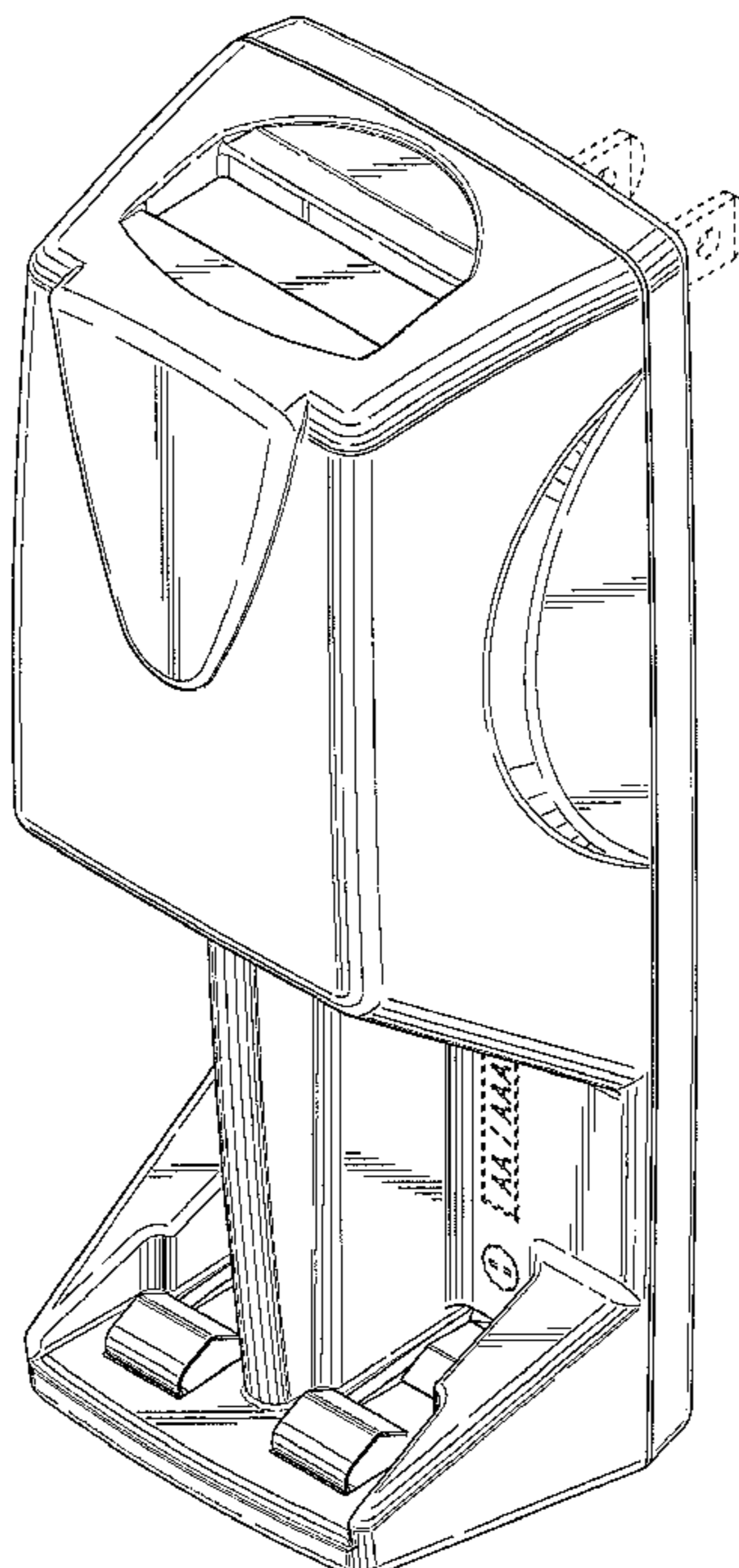
DESCRIPTION

FIG. 1 is a perspective view of the battery charger;
FIG. 2 is a front view thereof;
FIG. 3 is a rear view thereof;
FIG. 4 is a right-hand view thereof;
FIG. 5 is a left-hand view thereof;
FIG. 6 is a top view thereof; and,
FIG. 7 is a bottom view thereof.

The design consists of the features of shape, ornamentation and configuration of the battery charger shown in the drawings.

The broken lines shown in the drawings are included for the purpose of illustrating environmental structure and form no part of the claimed design.

1 Claim, 6 Drawing Sheets



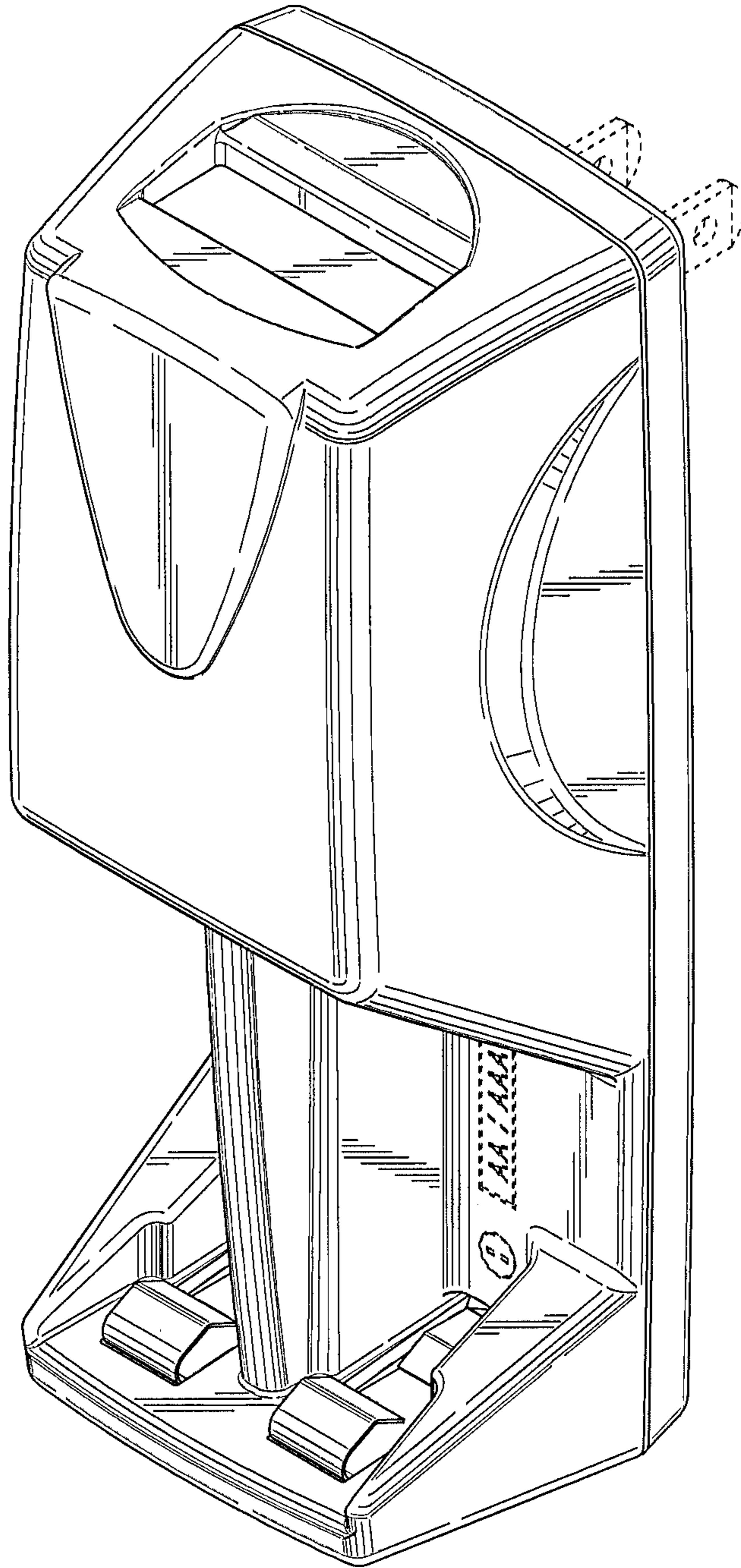


FIG. 1

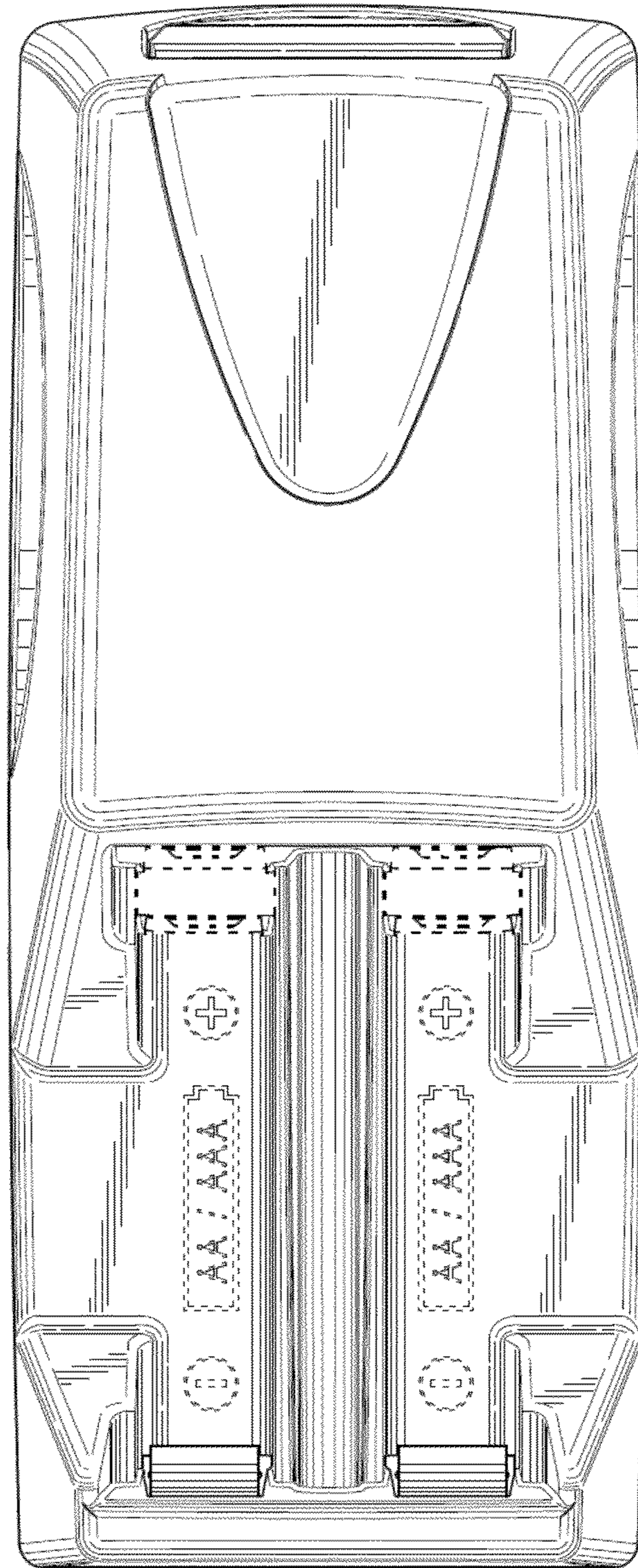


FIG. 2

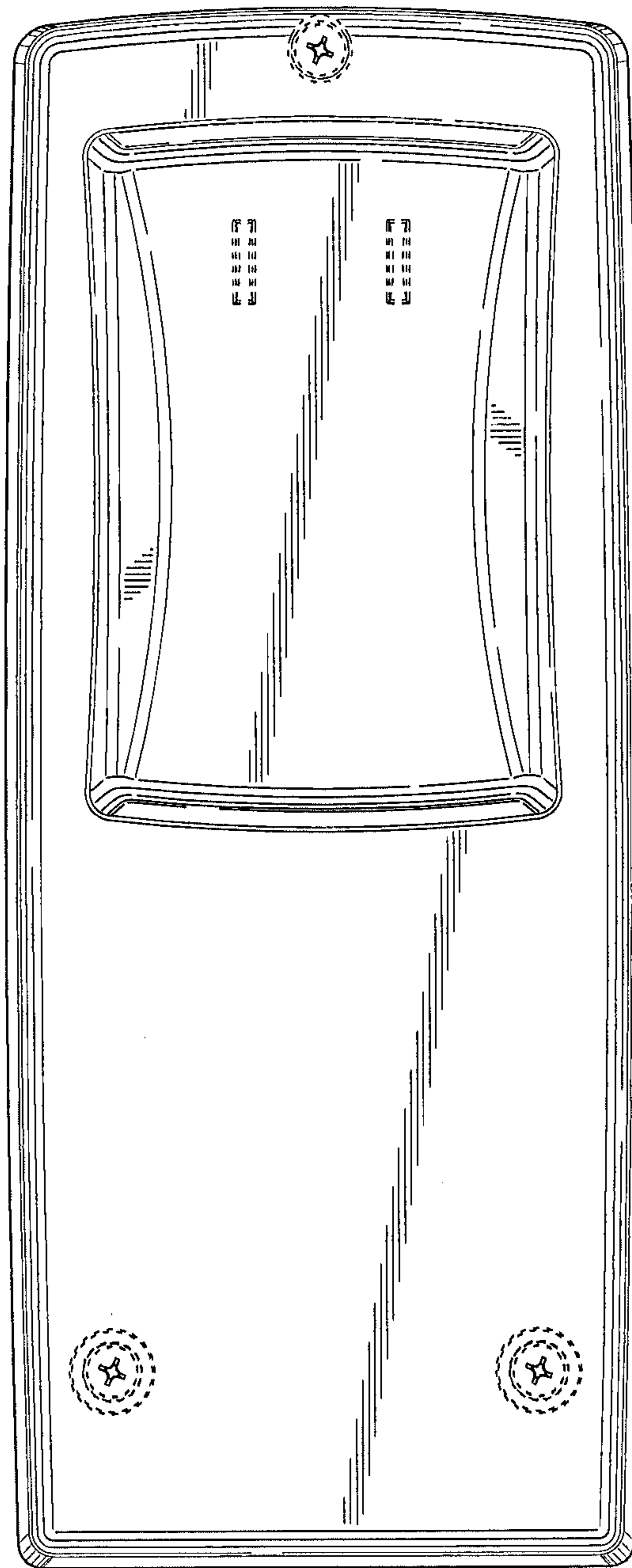


FIG. 3

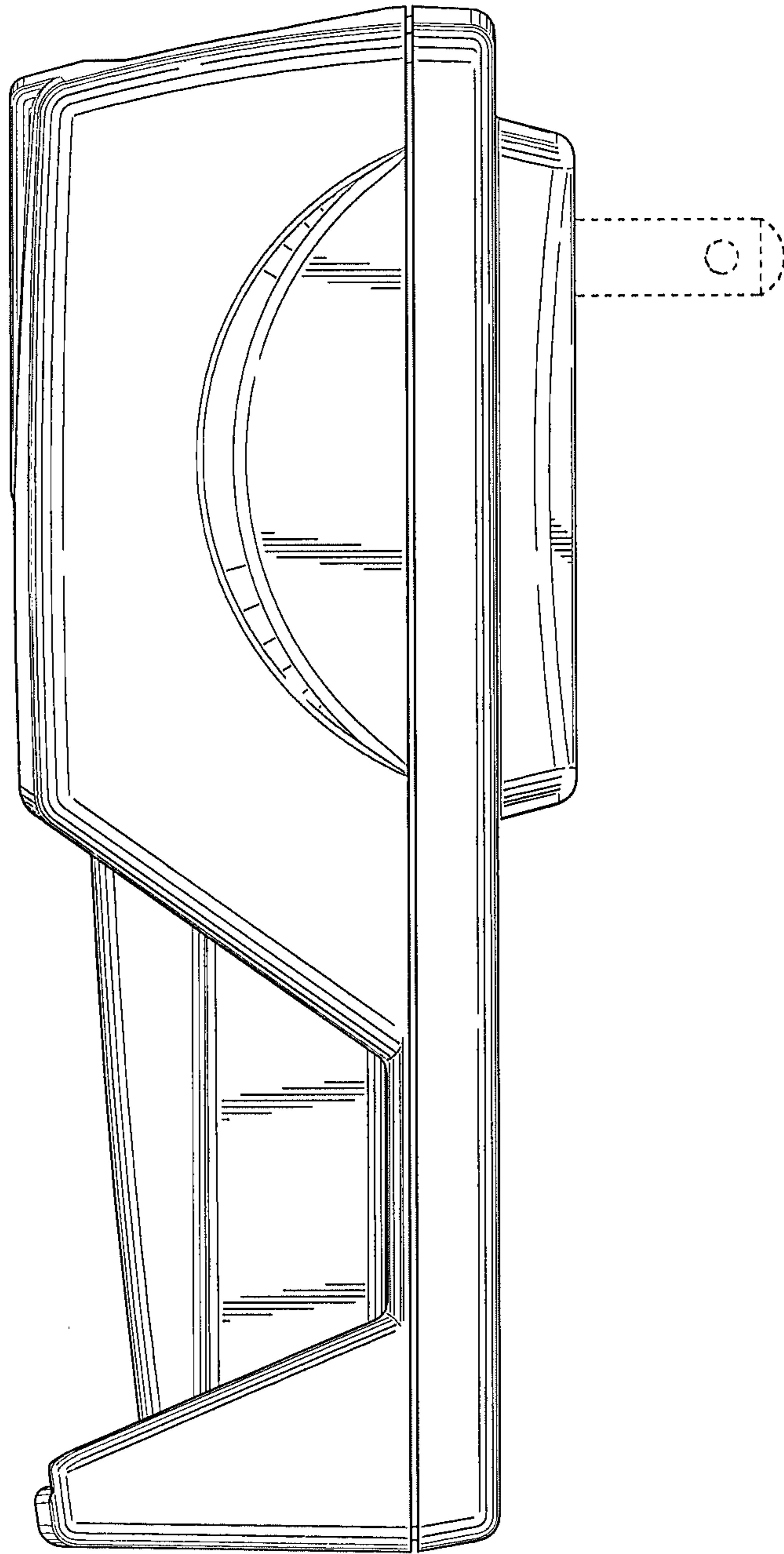


FIG. 4

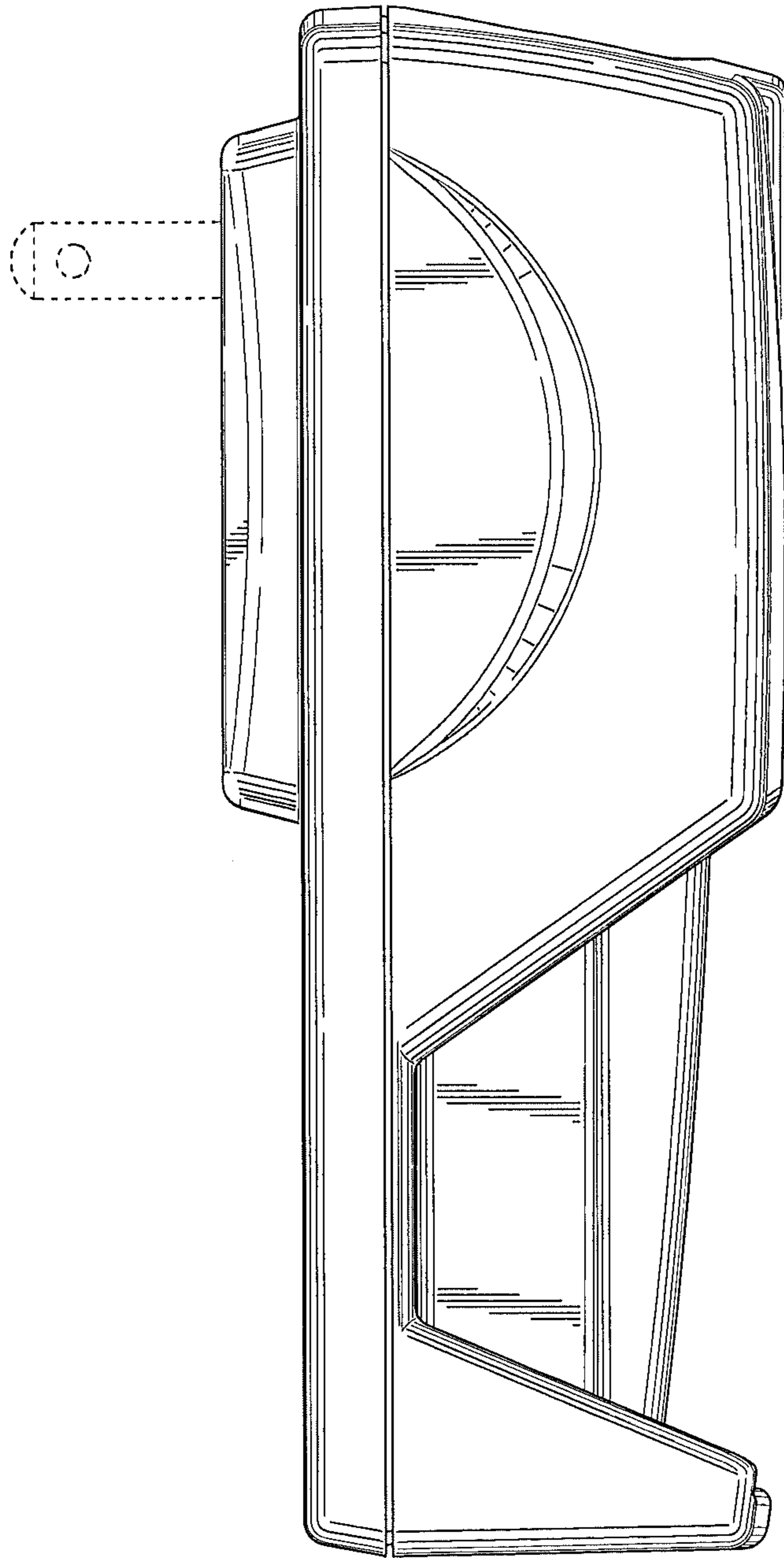


FIG. 5

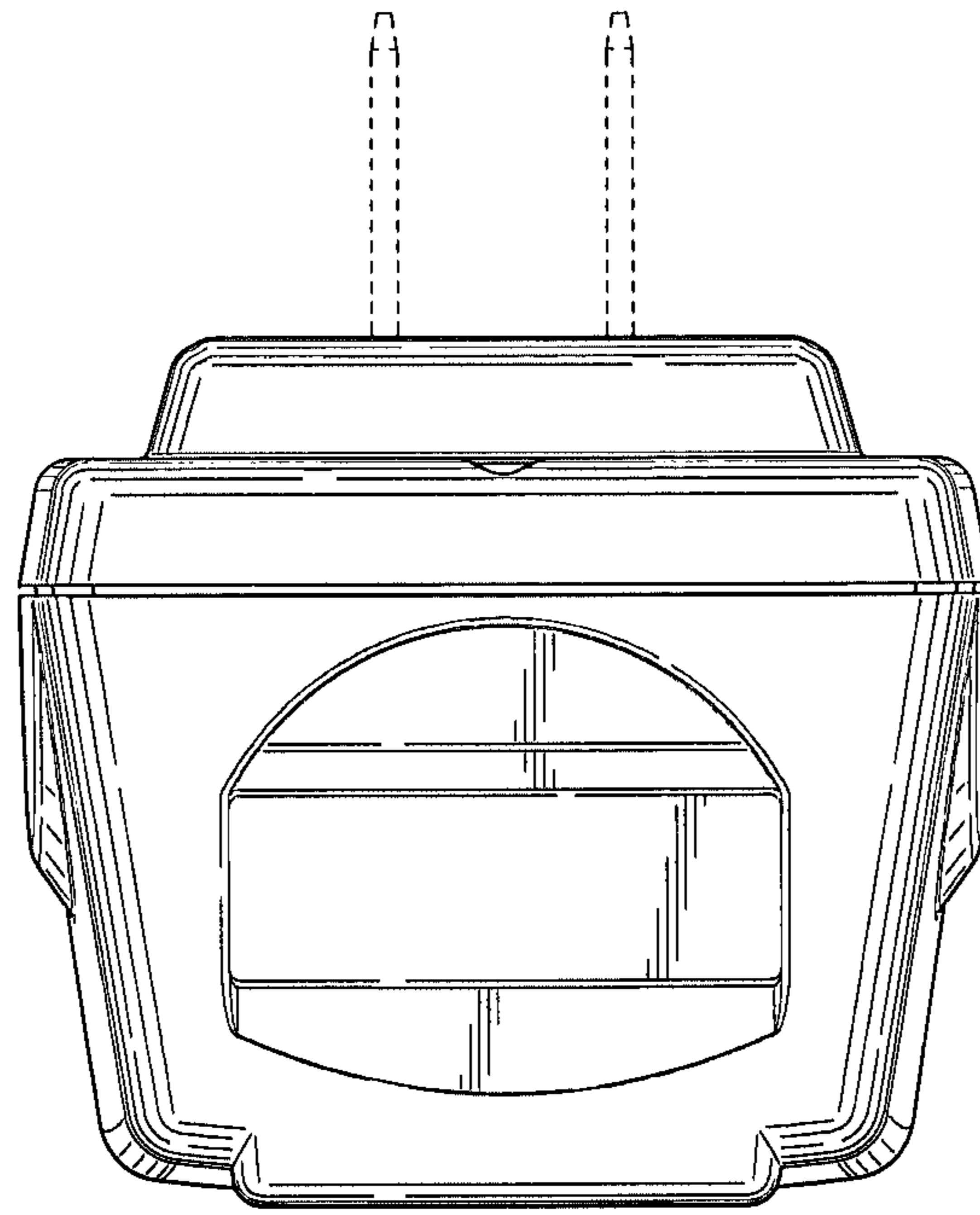


FIG. 6

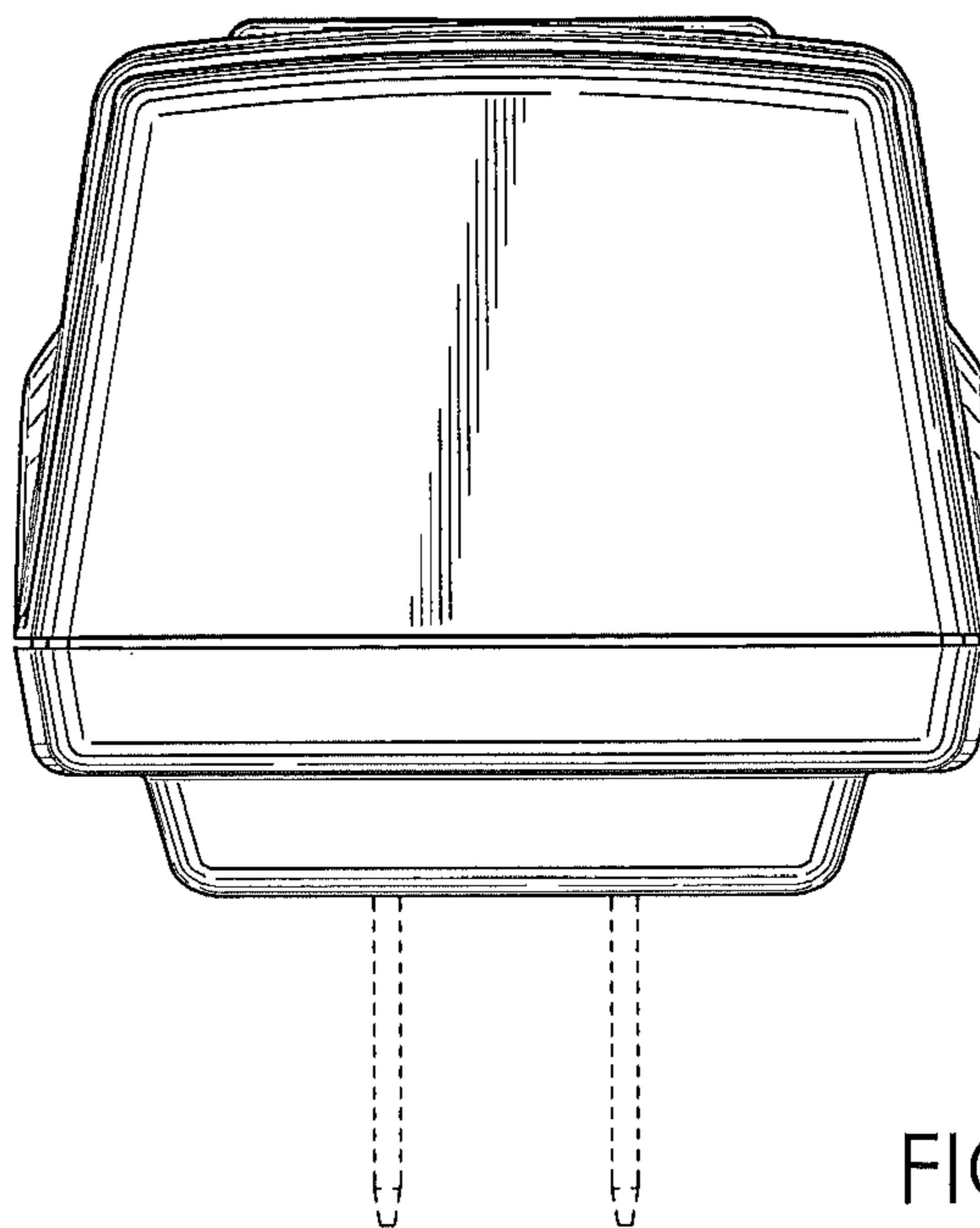


FIG. 7