



US00D743330S

(12) **United States Design Patent**
Zhang

(10) **Patent No.:** **US D743,330 S**

(45) **Date of Patent:** **** Nov. 17, 2015**

(54) **CHARGER**

(71) Applicant: **Chervon (HK) Limited**, Wanchai (HK)

(72) Inventor: **Su Zhang**, Nanjing (CN)

(73) Assignee: **Chevron (HK) Limited**, Hong Kong (HK)

(**) Term: **14 Years**

(21) Appl. No.: **29/473,769**

(22) Filed: **Nov. 26, 2013**

(30) **Foreign Application Priority Data**

May 31, 2013 (CN) 2013 3 0220413

(51) **LOC (10) Cl.** **13-02**

(52) **U.S. Cl.**
USPC **D13/107**

(58) **Field of Classification Search**
USPC D13/107-110, 118-119, 184, 199;
D14/251, 253, 432, 434; 320/107-115,
320/128, 137-140
See application file for complete search history.

(56) **References Cited**

U.S. PATENT DOCUMENTS

D505,913 S * 6/2005 Kam Lun et al. D13/107
D507,525 S * 7/2005 Heun D13/107
D512,373 S * 12/2005 Tsai et al. D13/108

D605,111 S * 12/2009 Schoch D13/107
D610,085 S * 2/2010 Sweeney D13/107
D635,917 S * 4/2011 Okuda D13/107
D636,723 S * 4/2011 Yamamoto et al. D13/107
D668,219 S * 10/2012 Zhao et al. D13/107
D692,895 S * 11/2013 Iwata et al. D14/434
D711,314 S * 8/2014 Marino et al. D13/107
2009/0051313 A1 * 2/2009 Yoshimura et al. 320/107
2012/0098494 A1 * 4/2012 Ogura et al. 320/112
2013/0154565 A1 * 6/2013 Sakai et al. 320/113

* cited by examiner

Primary Examiner — Rosemary K Tarcza

(74) *Attorney, Agent, or Firm* — Greenberg Traurig, LLP

(57) **CLAIM**

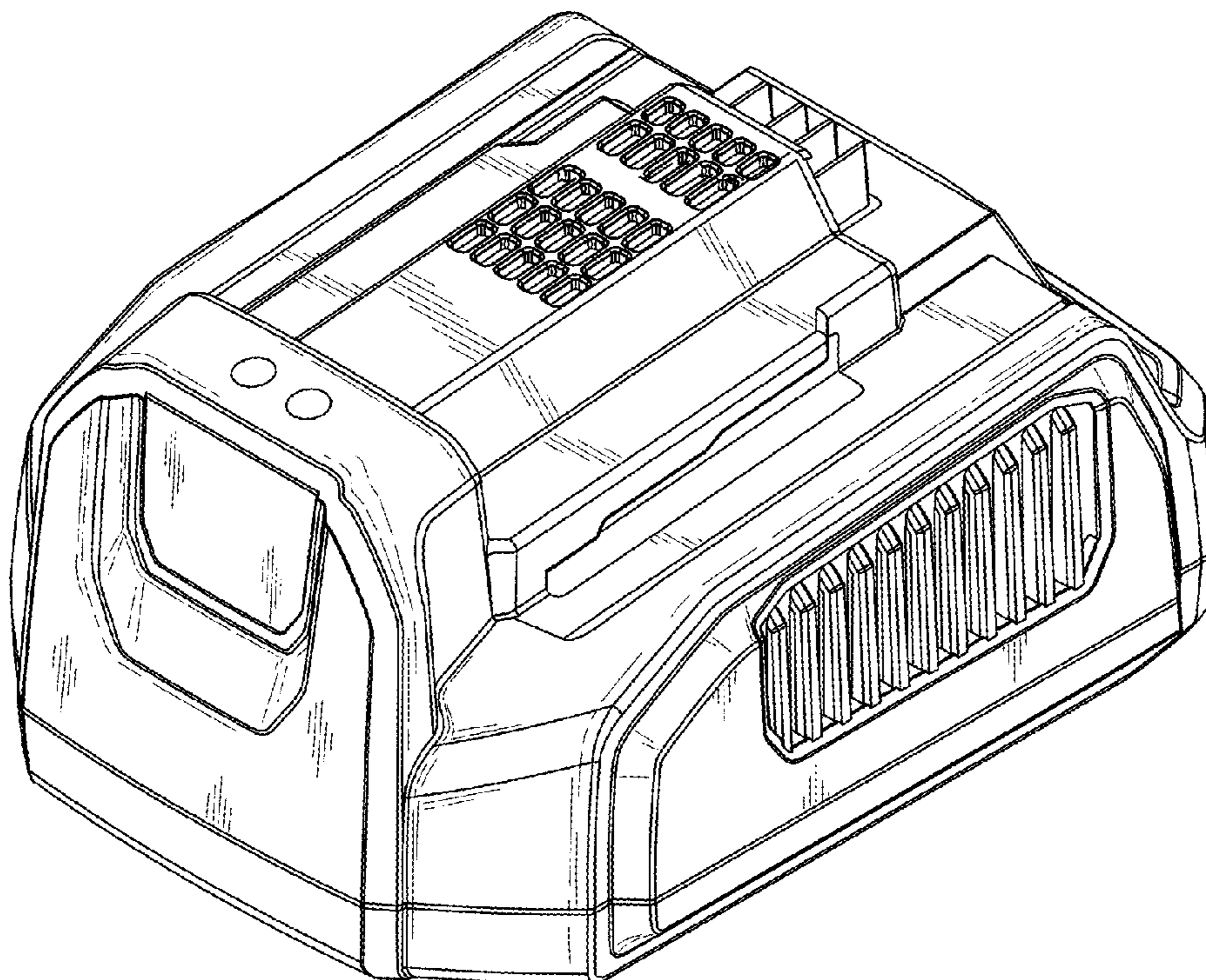
What is claimed is the ornamental design for a charger, as shown and described.

DESCRIPTION

FIG. 1 is a top plan view of a charger showing the new design; FIG. 2 is a bottom plan view thereof; FIG. 3 is a left side elevational view thereof; FIG. 4 is a right side elevational view thereof; FIG. 5 is a rear side elevational view thereof; FIG. 6 is a front side elevational view thereof; and, FIG. 7 is a perspective view thereof.

Any elements shown in dotted and/or dashed lines are provided for illustrative purposes only and form no part of the design claimed. Any surface shading is used solely to show the character or contour of the surfaces represented.

1 Claim, 6 Drawing Sheets



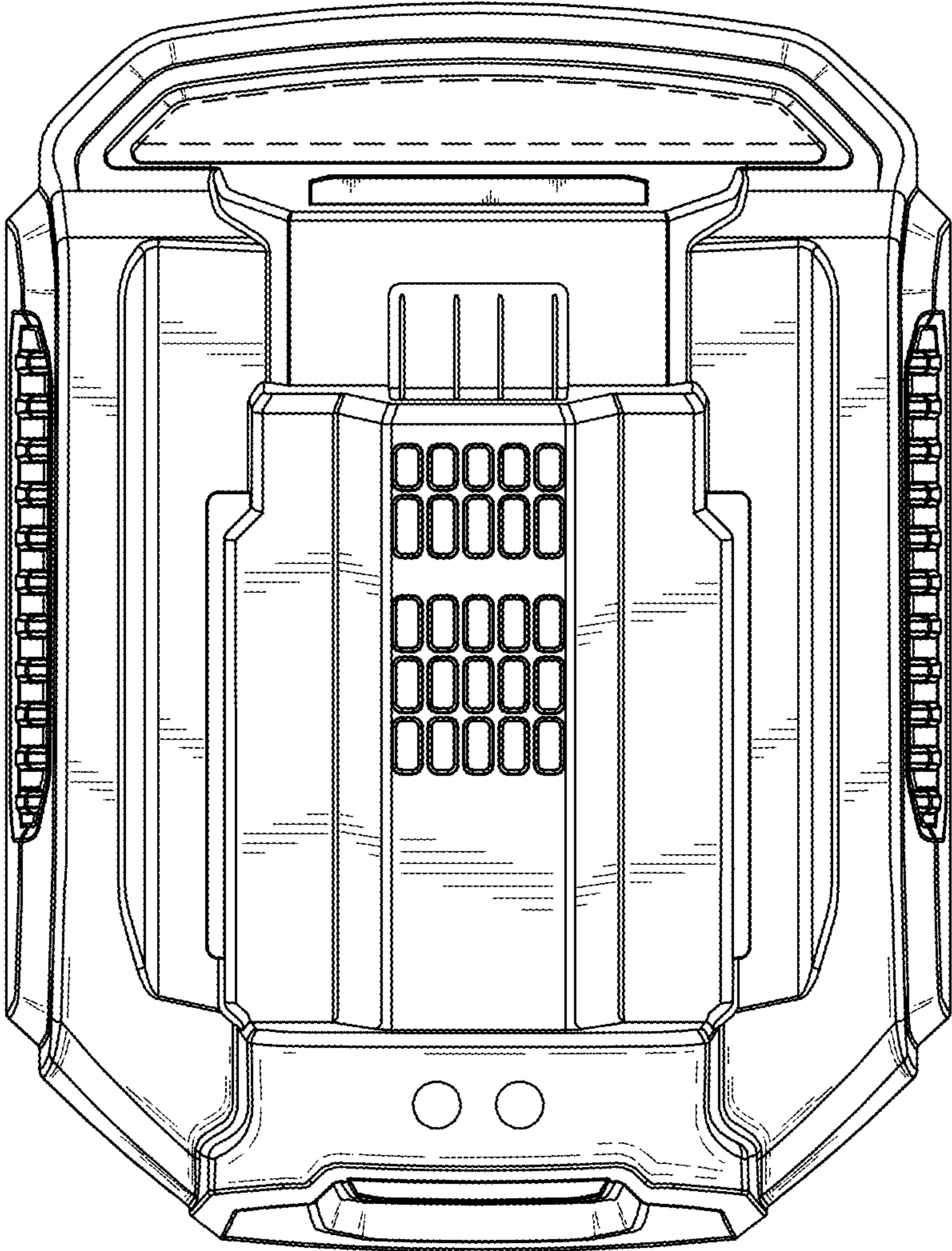


Fig. 1

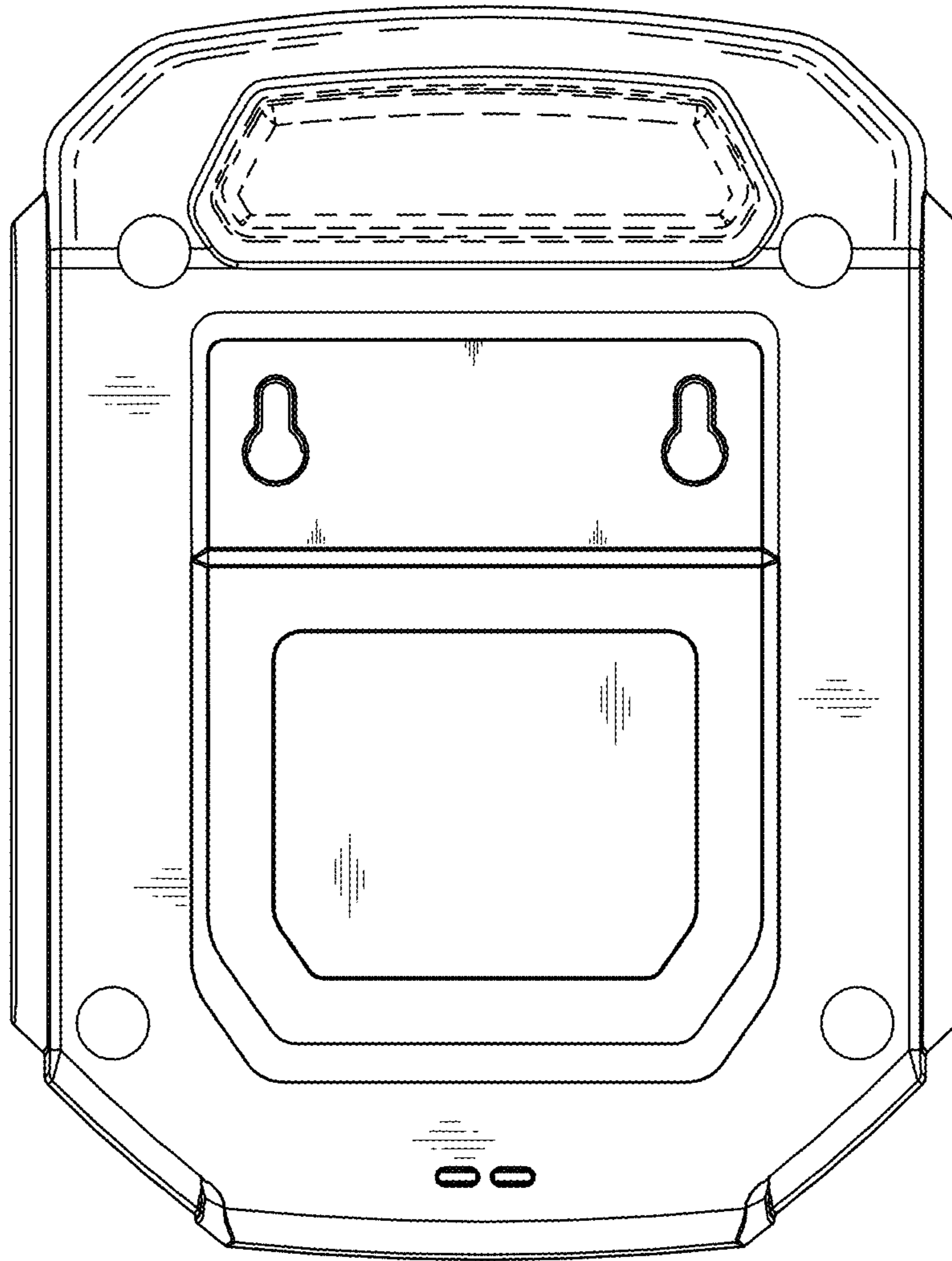


Fig. 2

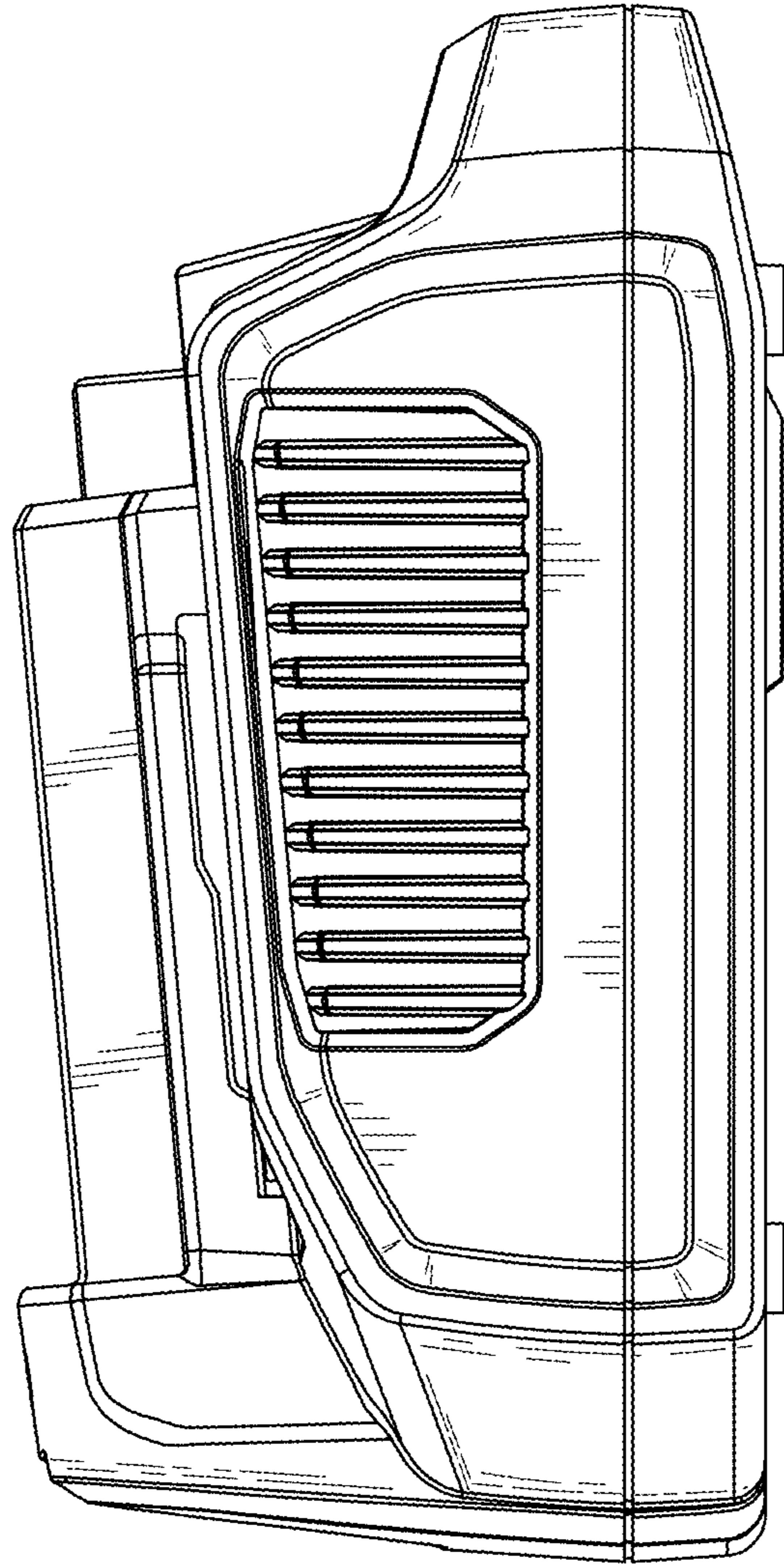


Fig. 3

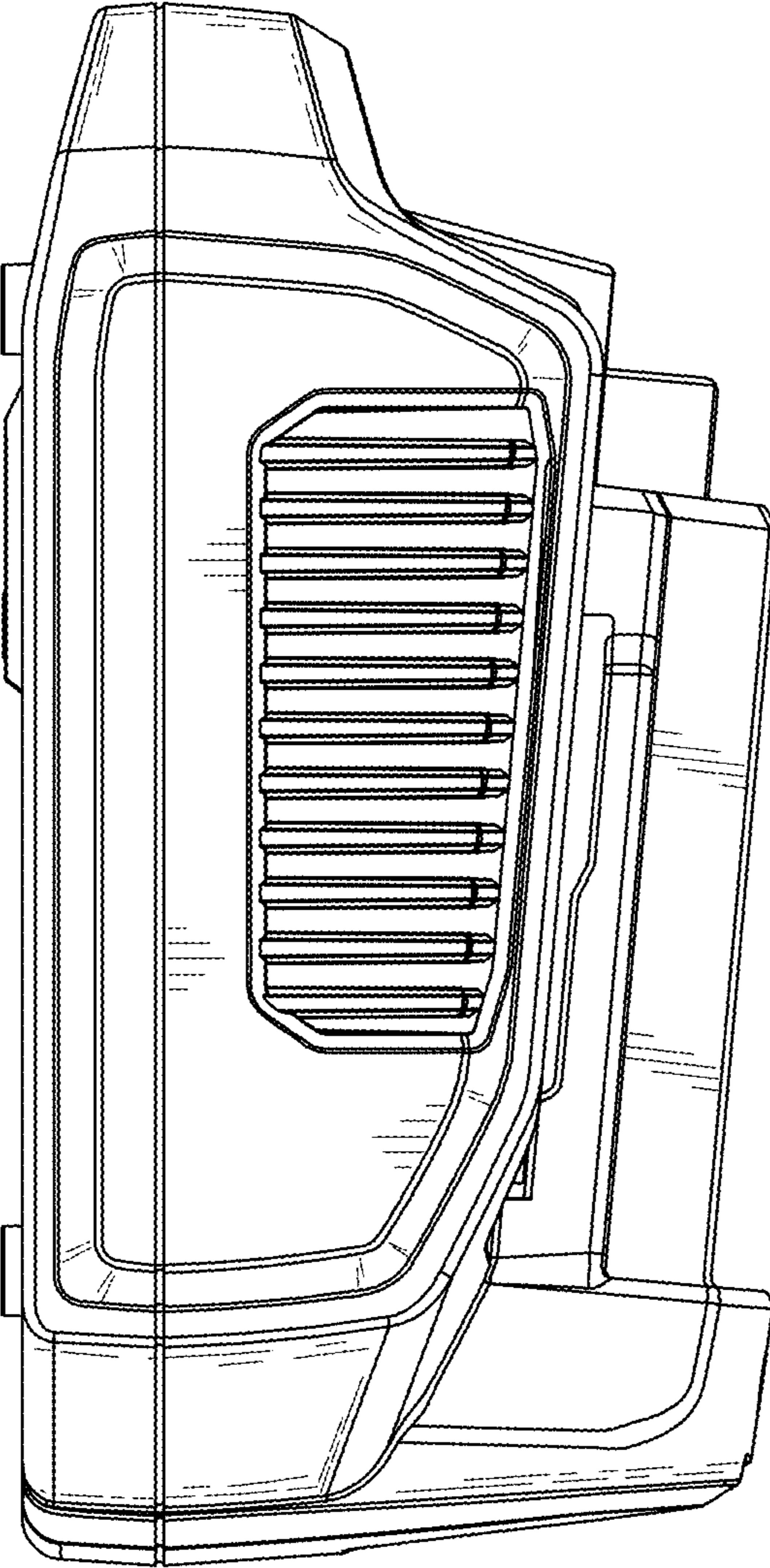


Fig. 4

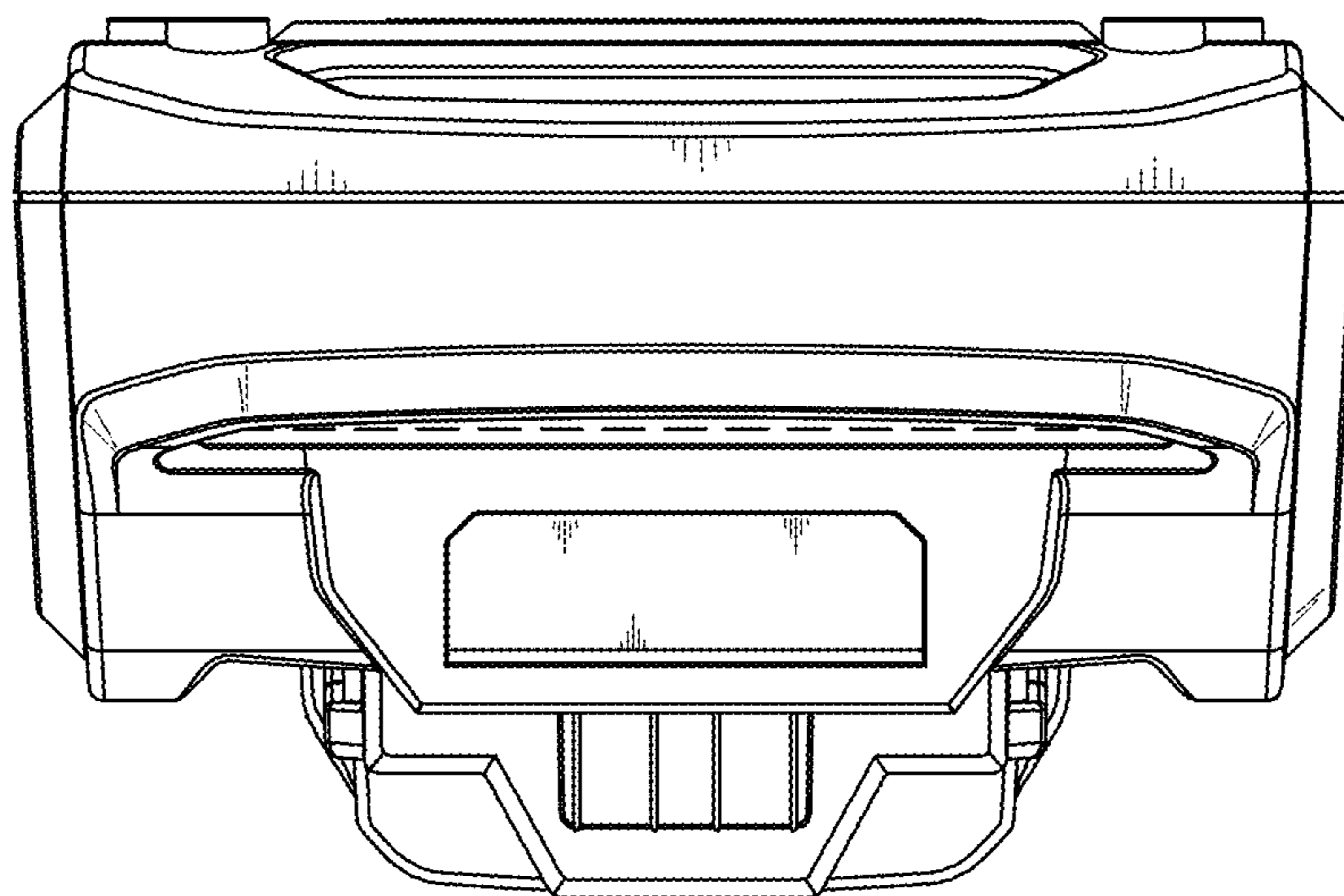


Fig. 5

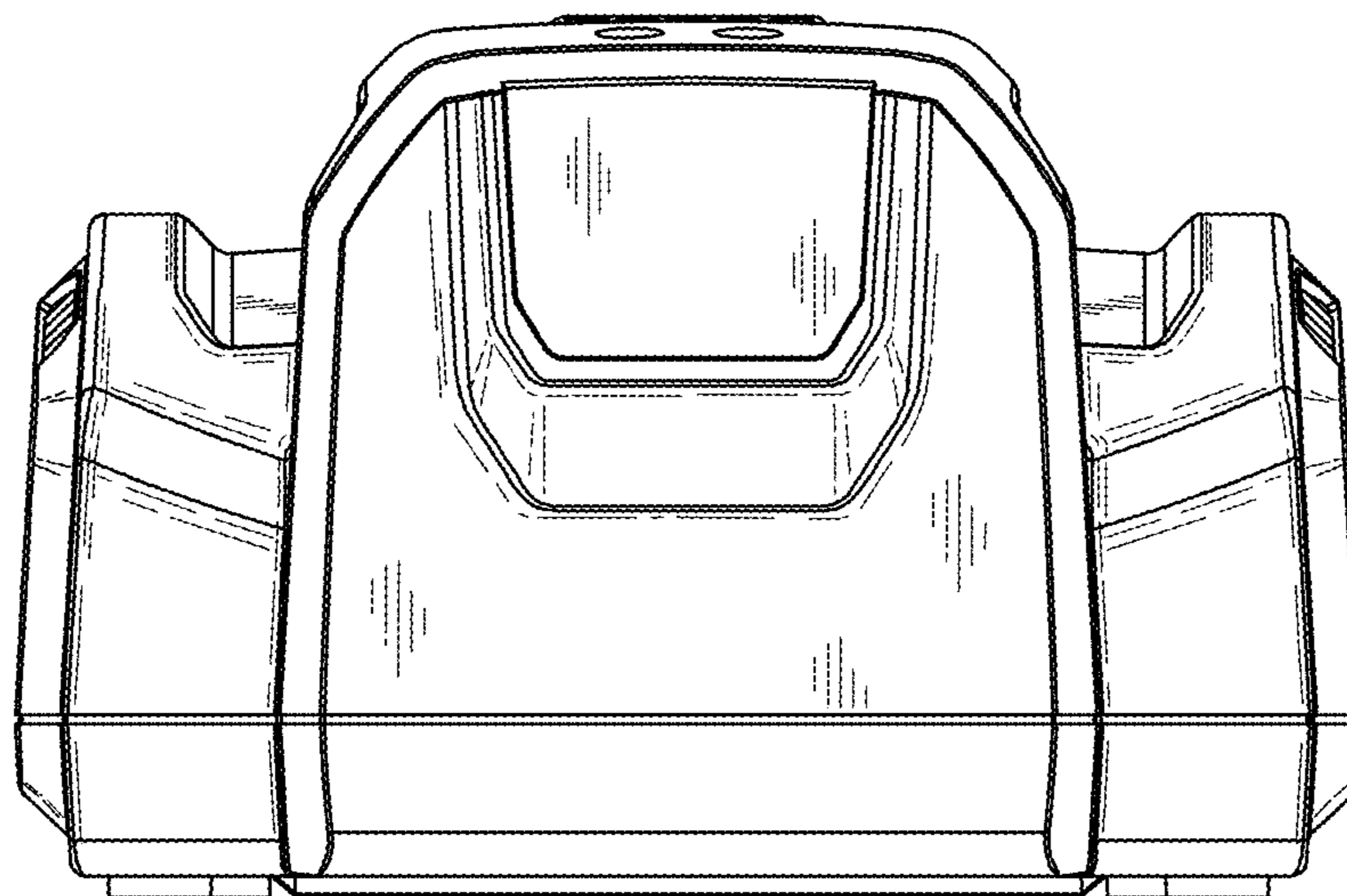


Fig. 6

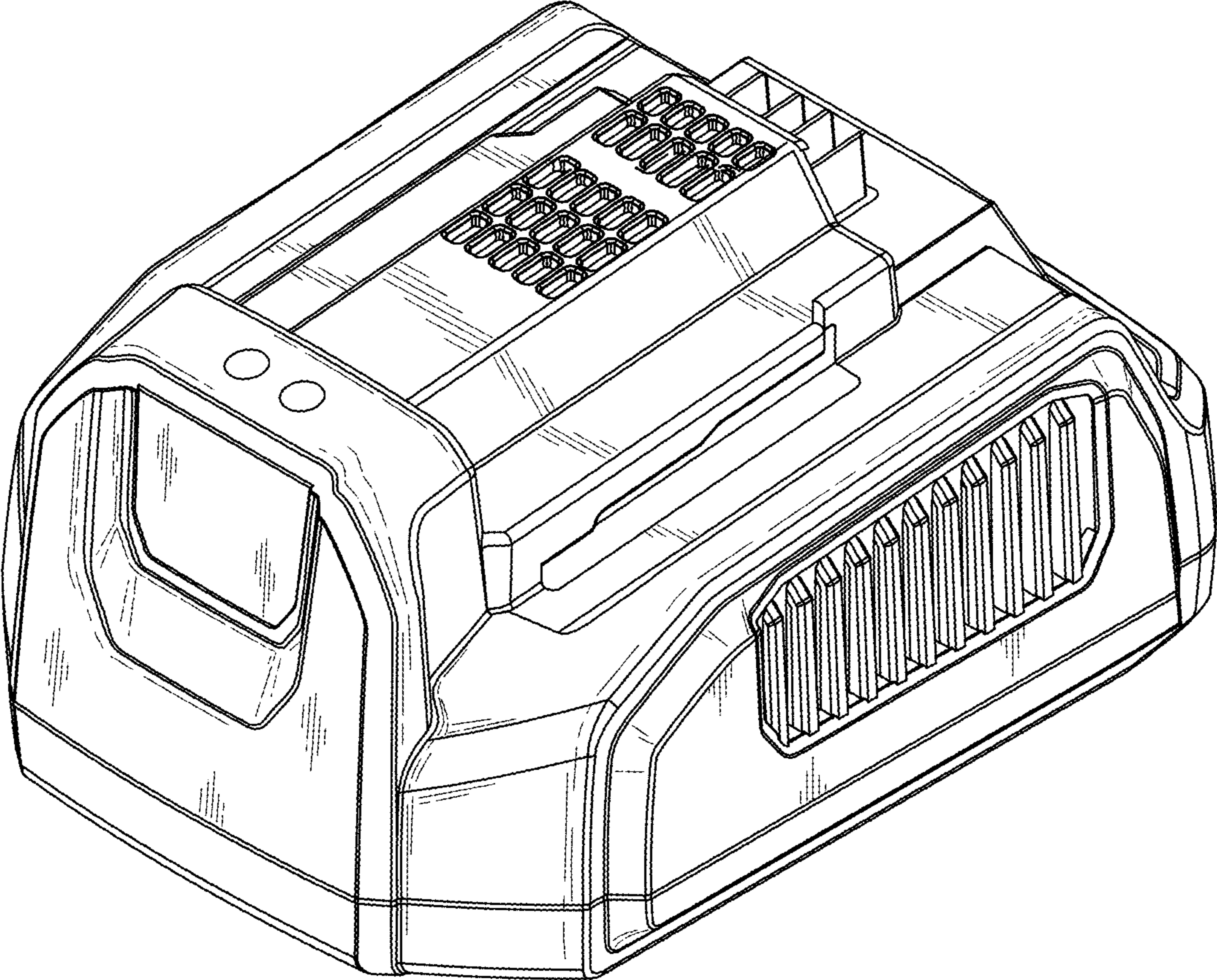


Fig. 7

UNITED STATES PATENT AND TRADEMARK OFFICE
CERTIFICATE OF CORRECTION


PATENT NO. : D743,330 S
APPLICATION NO. : 29/473769
DATED : November 17, 2015
INVENTOR(S) : Su Zhang

Page 1 of 1

It is certified that error appears in the above-identified patent and that said Letters Patent is hereby corrected as shown below:

On the Title Page

Item (73) Assignee: [Chevron] should be "Chervon"

Signed and Sealed this
Twentieth Day of August, 2024

Katherine Kelly Vidal
Director of the United States Patent and Trademark Office