



US00D743329S

(12) **United States Design Patent**
Aiken et al.

(10) **Patent No.:** **US D743,329 S**

(45) **Date of Patent:** **** Nov. 17, 2015**

(54) **SOLAR CELL**

(71) Applicant: **Emcore Solar Power, Inc.**,
Albuquerque, NM (US)

(72) Inventors: **Daniel James Aiken**, Cedar Crest, NM
(US); **Lei Yang**, Albuquerque, NM (US);
Jeff Steinfeldt, Rio Rancho, NM (US)

(73) Assignee: **SolAero Technologies Corp.**,
Albuquerque, NM (US)

(**) Term: **14 Years**

(21) Appl. No.: **29/480,534**

(22) Filed: **Jan. 27, 2014**

(51) **LOC (10) Cl.** **13-02**

(52) **U.S. Cl.**
USPC **D13/102**

(58) **Field of Classification Search**
USPC D13/102, 103, 104, 107, 110, 119, 199;
136/244, 245, 251, 256, 258, 291;
323/906; 126/569, 571, 600, 621, 623,
126/680, 906

CPC Y02E 10/50; Y02E 10/544; H01L 31/042;
H01L 25/04

See application file for complete search history.

(56) **References Cited**

U.S. PATENT DOCUMENTS

| | | | | |
|-----------|-----|---------|-----------------|---------|
| 5,501,744 | A * | 3/1996 | Albright et al. | 136/258 |
| 5,542,988 | A * | 8/1996 | Bogus | 136/244 |
| D389,454 | S * | 1/1998 | Mori | D13/102 |
| D442,139 | S * | 5/2001 | Sasaoka | D13/102 |
| D555,083 | S * | 11/2007 | Sharma et al. | D13/102 |
| D568,238 | S * | 5/2008 | Sharma et al. | D13/102 |
| D588,534 | S * | 3/2009 | Sharma et al. | D13/102 |
| D644,986 | S * | 9/2011 | Ross et al. | D13/102 |
| D644,987 | S * | 9/2011 | Casler et al. | D13/102 |
| D680,946 | S * | 4/2013 | Anwar et al. | D13/102 |

| | | | | |
|--------------|------|---------|----------------|---------|
| 2005/0070059 | A1 * | 3/2005 | Blakers et al. | 438/200 |
| 2009/0272434 | A1 * | 11/2009 | Tachibana | 136/256 |
| 2010/0282314 | A1 * | 11/2010 | Coakley et al. | 136/258 |
| 2010/0313952 | A1 * | 12/2010 | Coakley et al. | 136/258 |
| 2012/0060917 | A1 * | 3/2012 | Jin et al. | 136/256 |
| 2012/0132273 | A1 * | 5/2012 | Lee et al. | 136/256 |
| 2014/0102532 | A1 * | 4/2014 | Nishimoto | 136/256 |

* cited by examiner

Primary Examiner — Derrick Holland
Assistant Examiner — Jennifer O King

(57) **CLAIM**

The ornamental design for a solar cell, as shown and described.

DESCRIPTION

This application is related to co-pending U.S. patent application Ser. Nos. 29/476,181 and 29/476,182 filed Dec. 11, 2013. FIG. 1 is a top perspective view of a solar cell showing our new design;

FIG. 2 is an enlarged view thereof taken at the designated portion shown on FIG. 1;

FIG. 3 is a top plan view thereof;

FIG. 4 is an enlarged view thereof taken at the designated portion shown on FIG. 3;

FIG. 5 is a cross-sectional view along the 5-5 plane shown in FIG. 4;

FIG. 6 is a cross-sectional view along the 6-6 plane shown in FIG. 4;

FIG. 7 is a cross-sectional view along the 7-7 plane shown in FIG. 4;

FIG. 8 is a bottom plan view thereof;

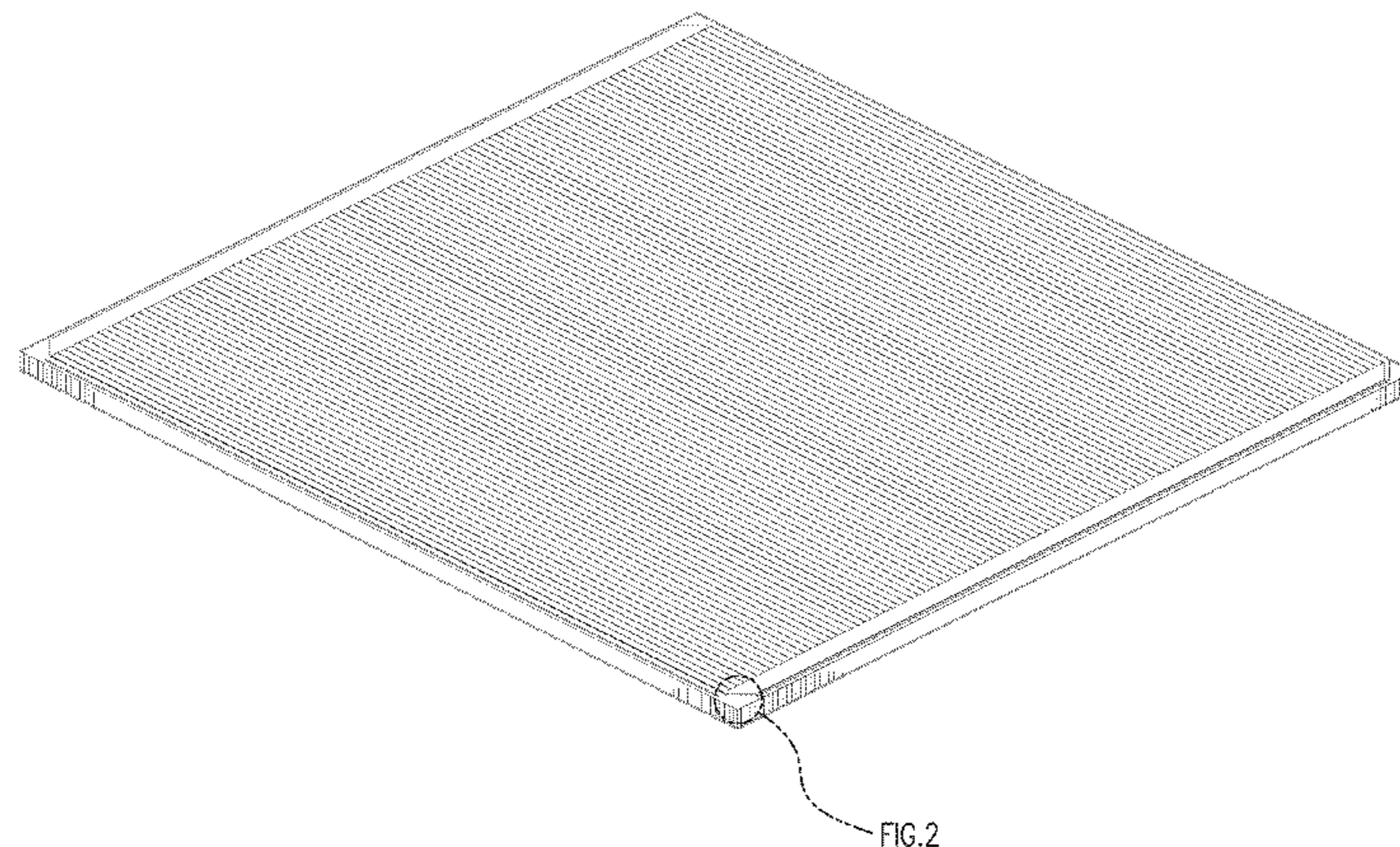
FIG. 9 is a front side elevation view thereof; and,

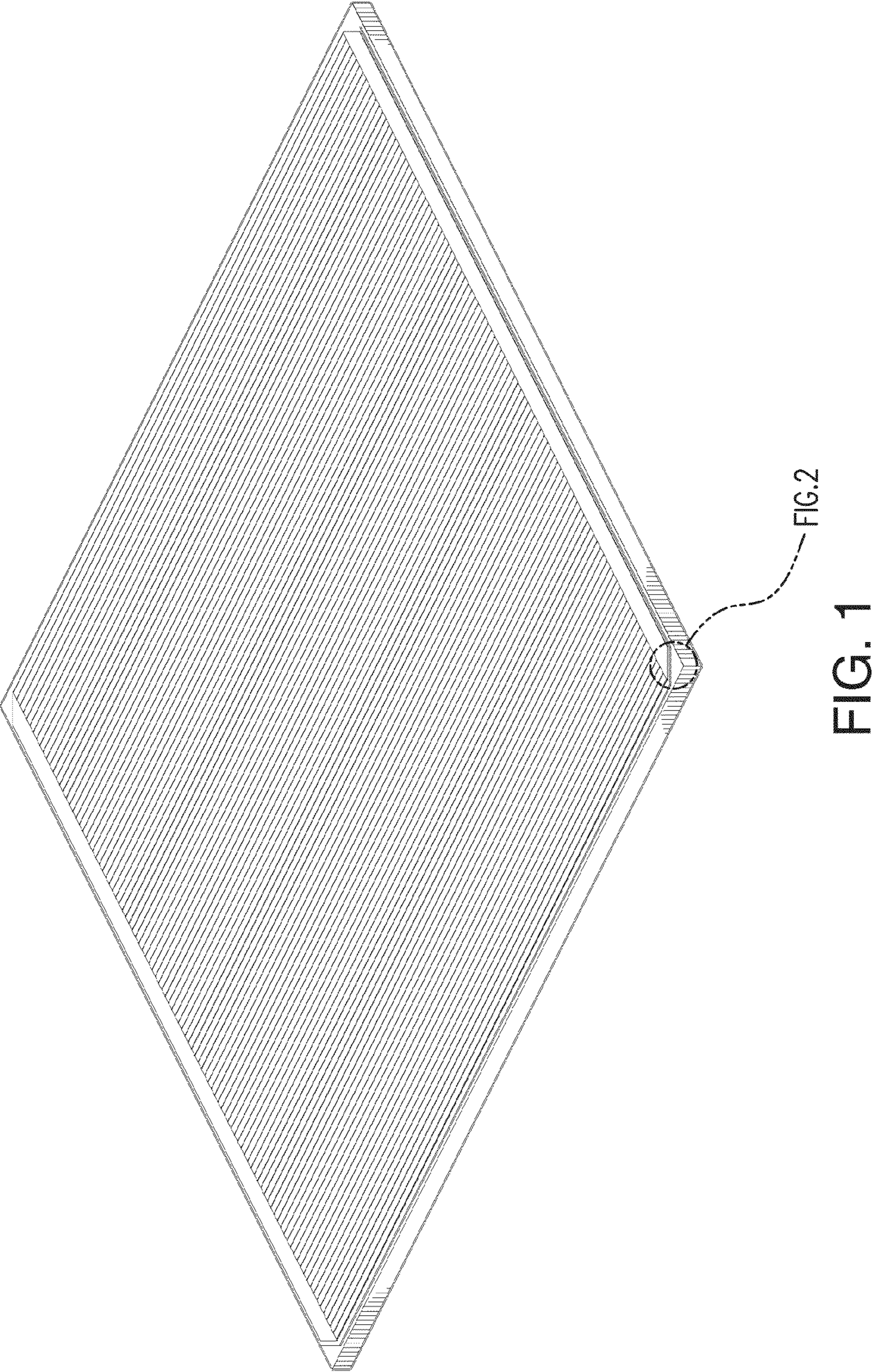
FIG. 10 is a left side elevation view thereof.

The dot-dash broken lines represent unclaimed subject matter only and form no part of the claimed design.

The dot-dot-dash broken lines represent unclaimed boundaries and form no part of the claimed design.

1 Claim, 7 Drawing Sheets





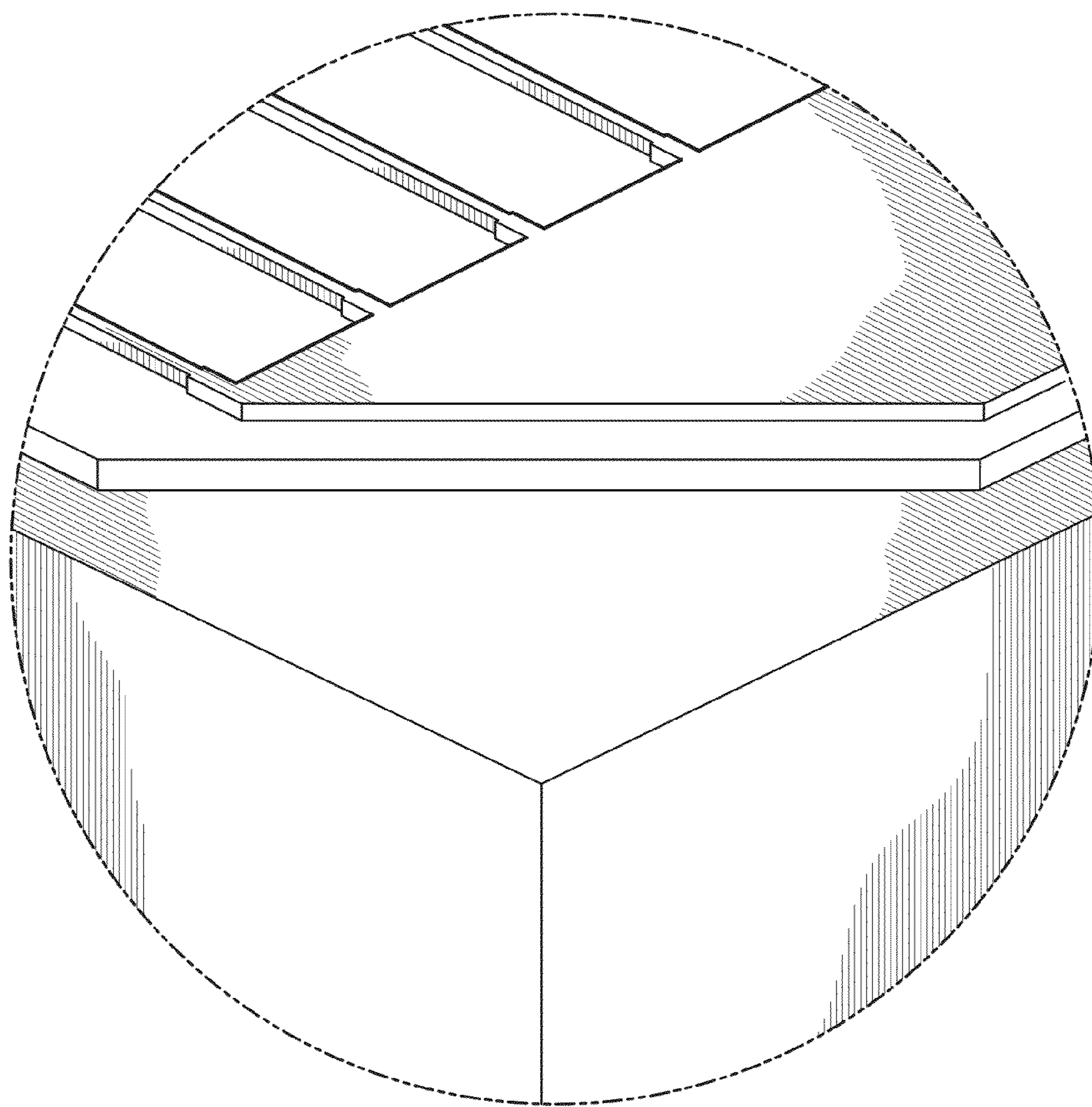


FIG. 2

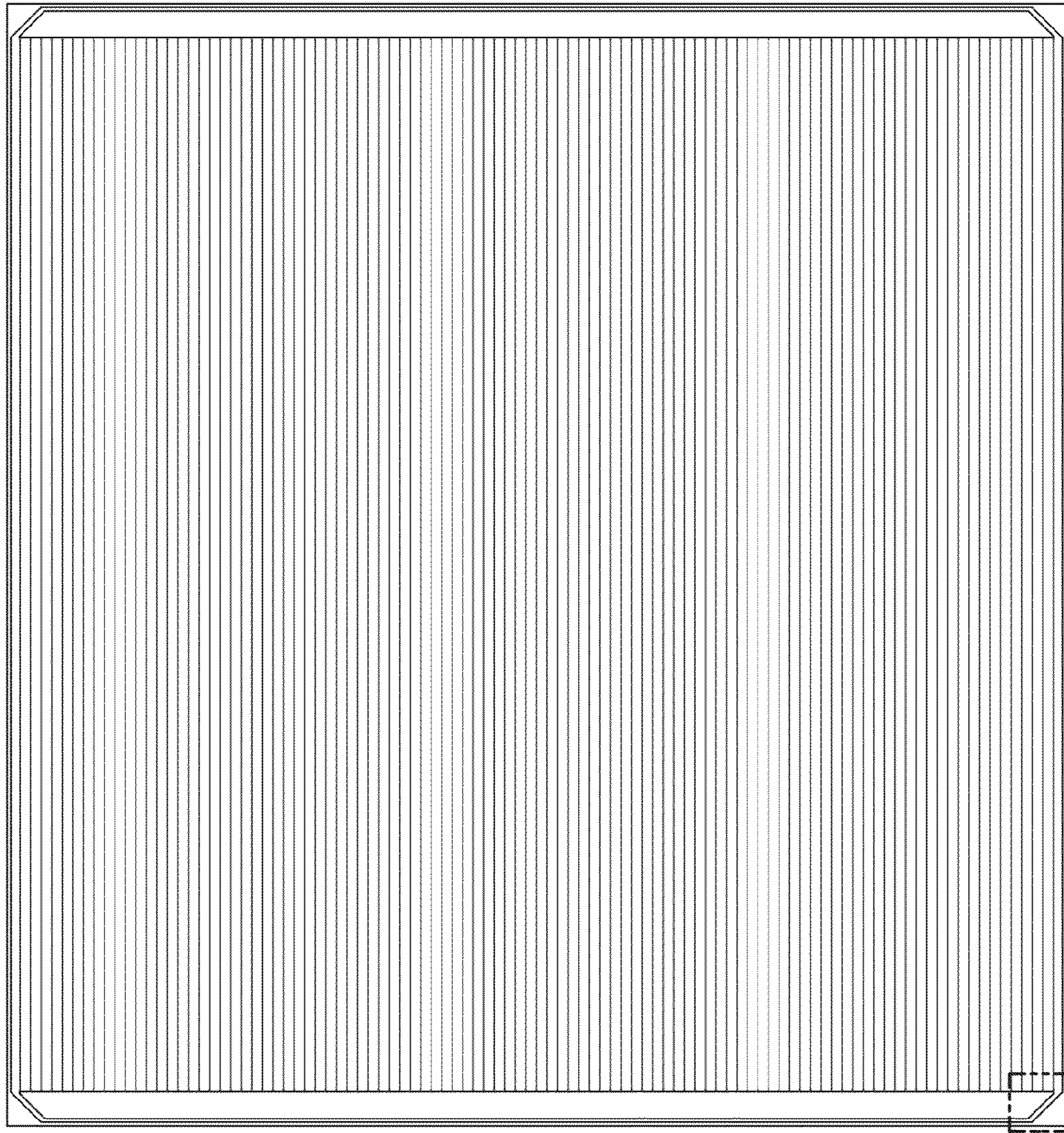


FIG. 3

FIG. 4

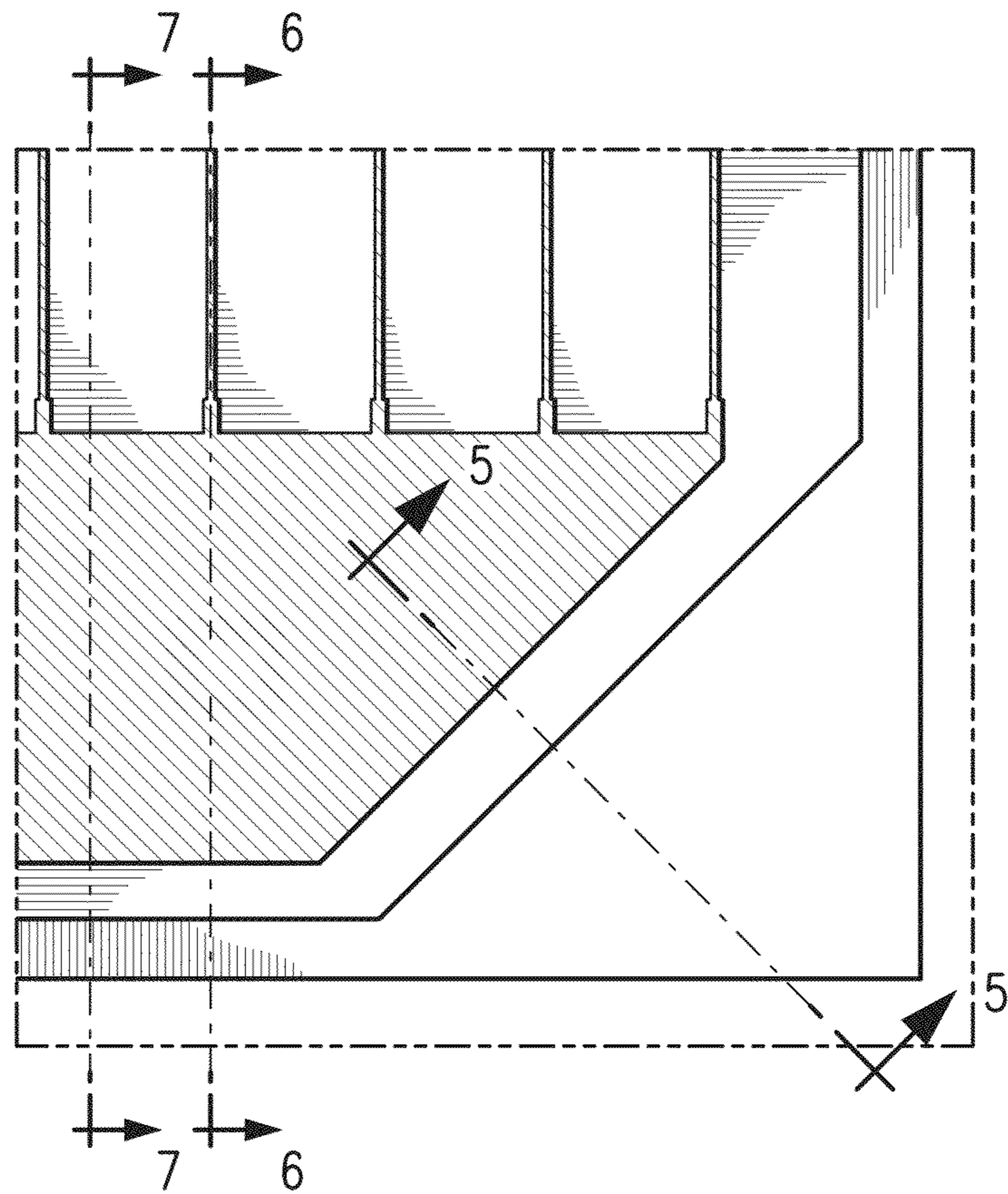


FIG. 4

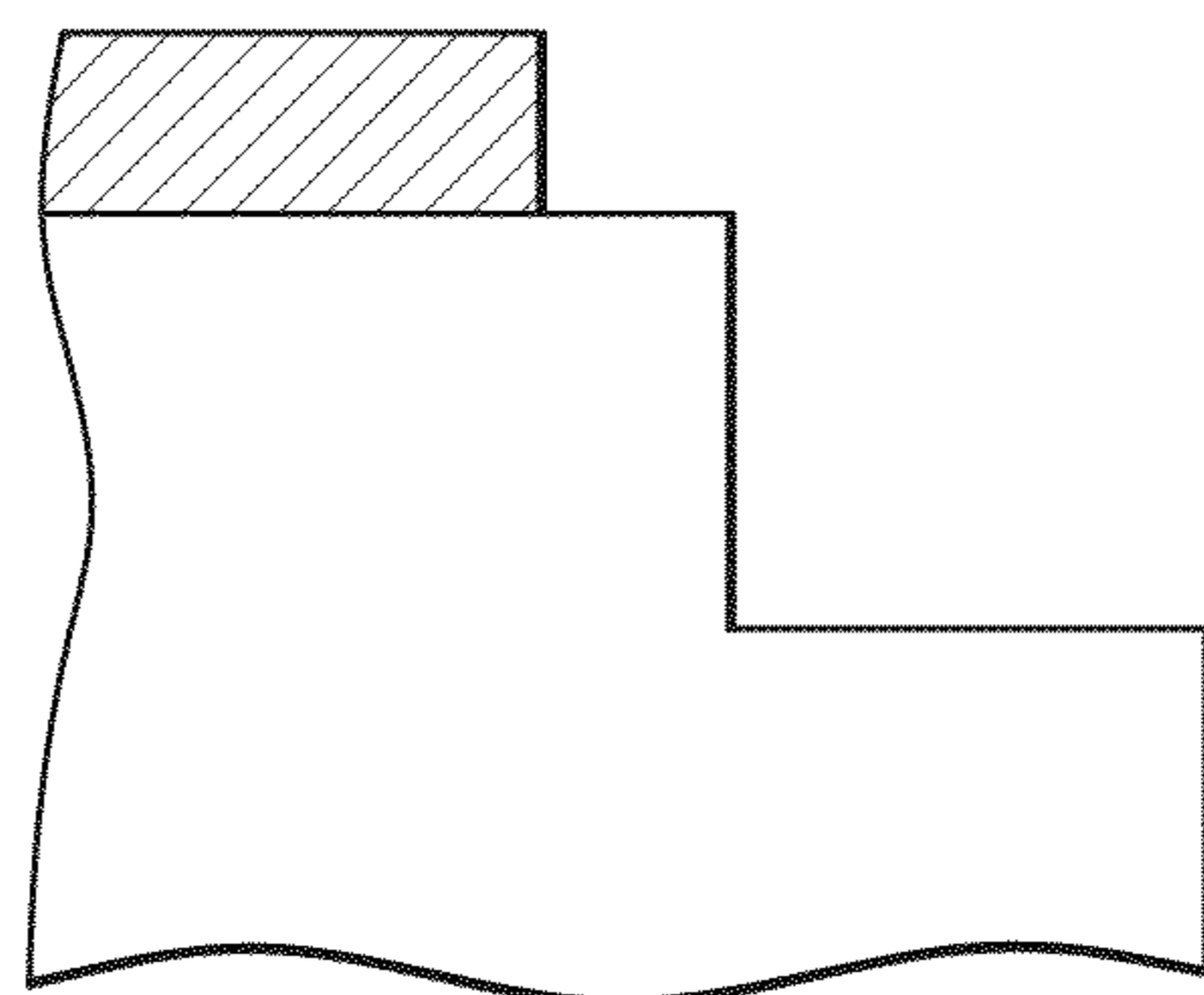


FIG. 5

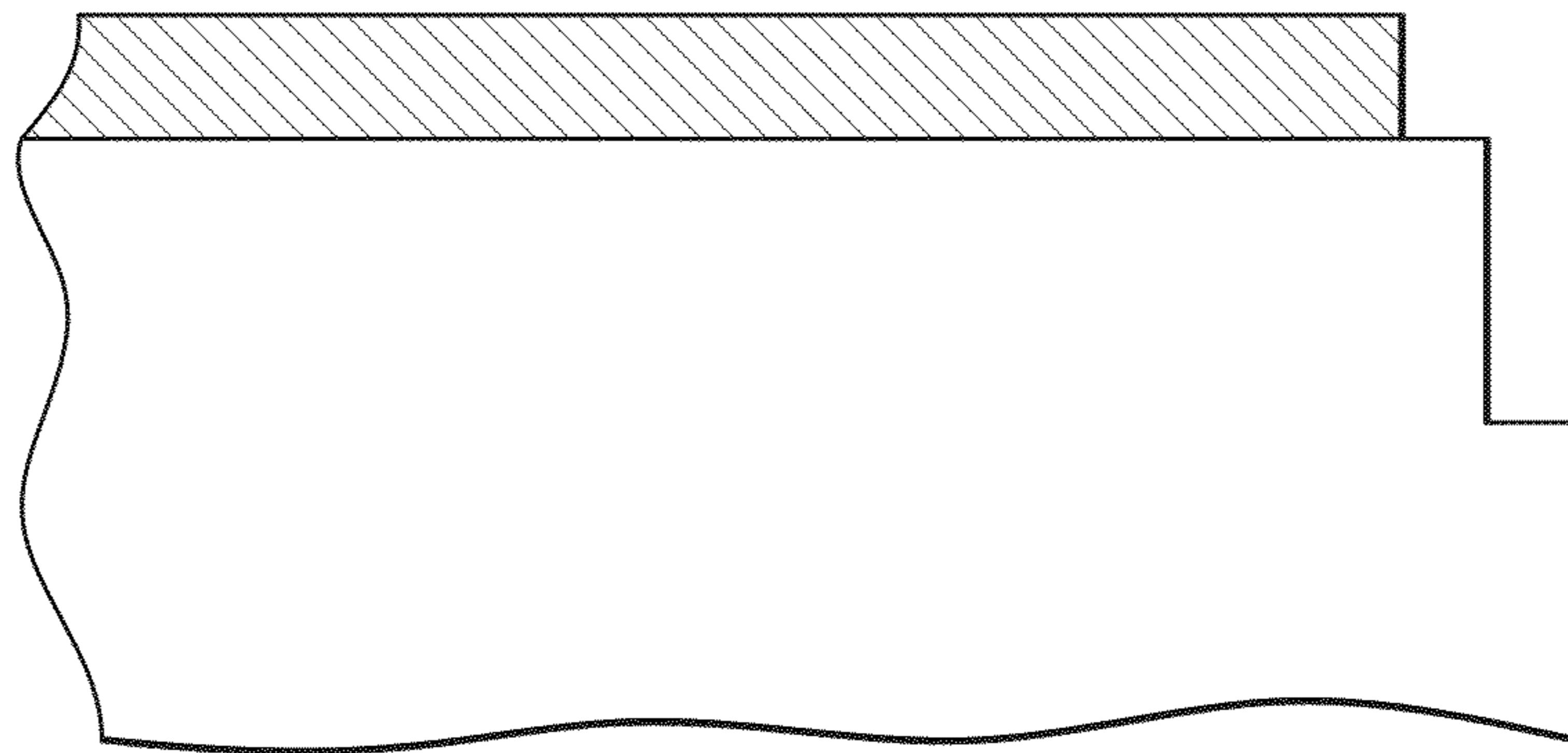


FIG. 6

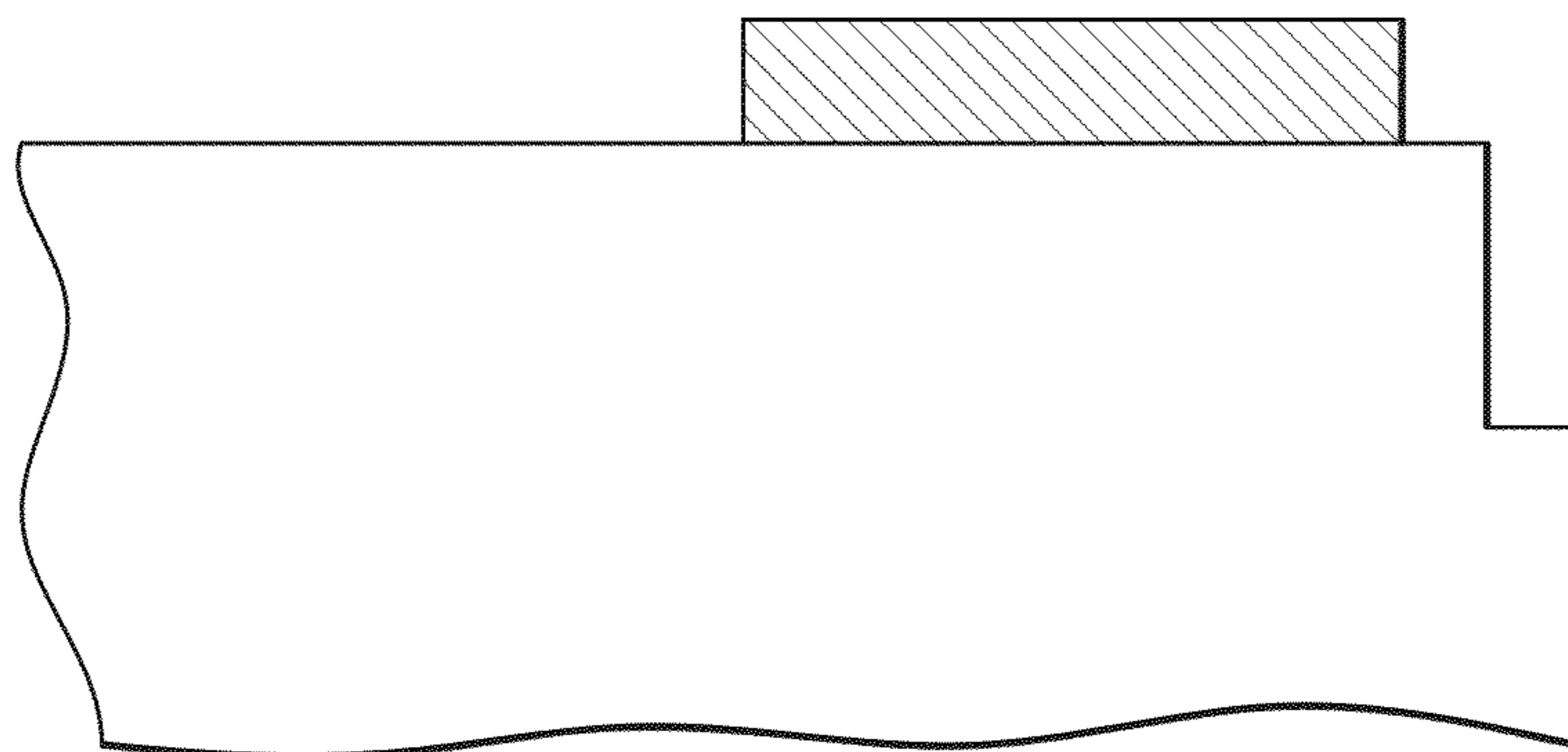


FIG. 7

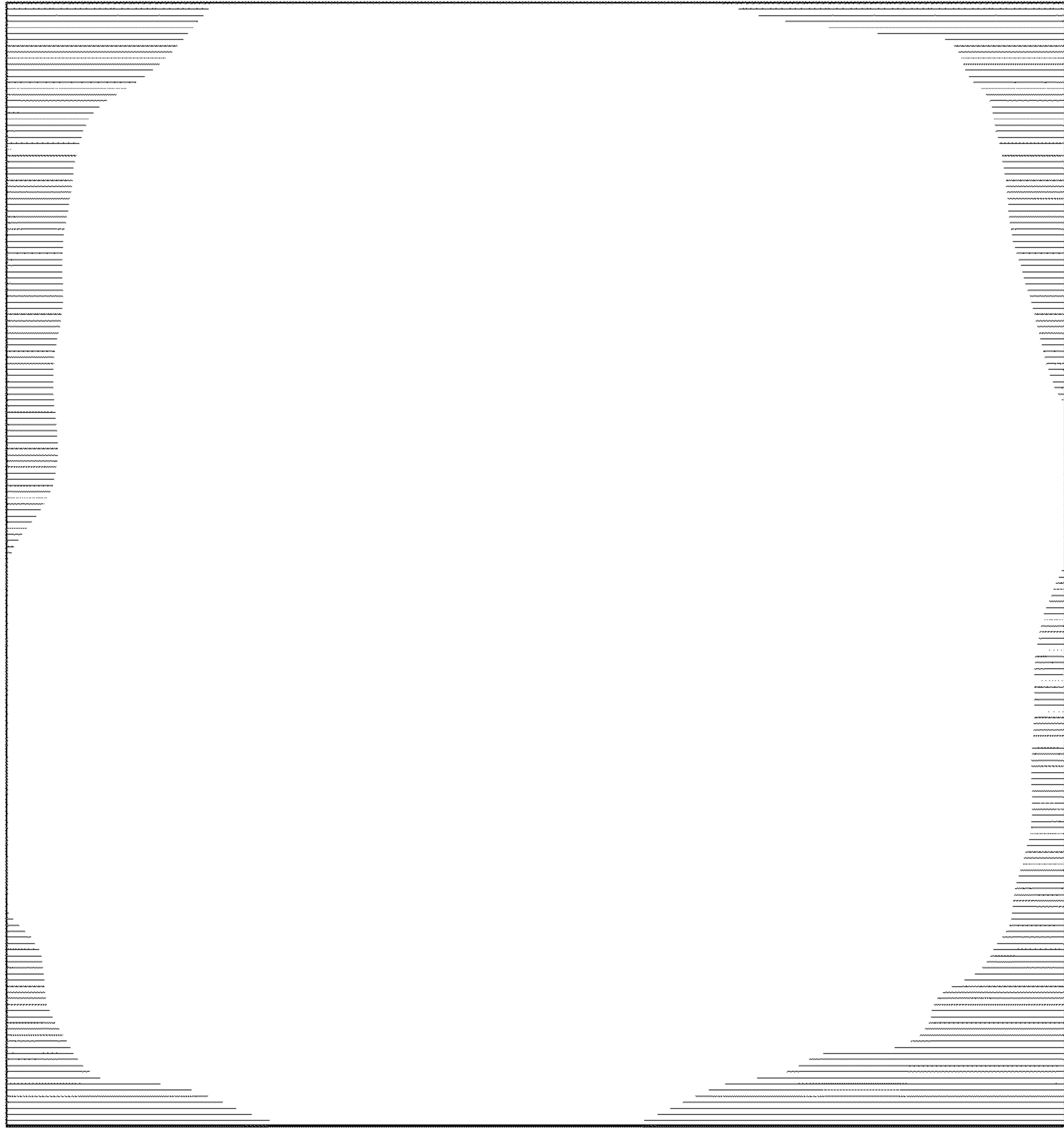


FIG. 8



FIG. 9

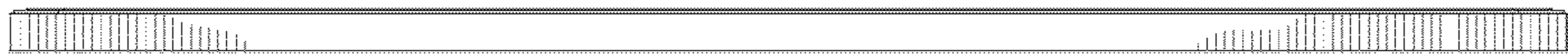


FIG. 10