



US00D743323S

(12) **United States Design Patent**
Lewallen

(10) **Patent No.:** **US D743,323 S**

(45) **Date of Patent:** **** Nov. 17, 2015**

(54) **TAILGATE FOOD PREPARATION STRUCTURE**

(71) Applicant: **Kyle Jacob Lewallen**, College Station, TX (US)

(72) Inventor: **Kyle Jacob Lewallen**, College Station, TX (US)

(**) Term: **14 Years**

(21) Appl. No.: **29/484,029**

(22) Filed: **Mar. 5, 2014**

(51) **LOC (10) Cl.** **12-16**

(52) **U.S. Cl.**
USPC **D12/400**

(58) **Field of Classification Search**
USPC D12/400, 106
See application file for complete search history.

(56) **References Cited**

U.S. PATENT DOCUMENTS

2,721,777 A 10/1955 Willis
3,578,749 A 5/1971 Woten

(Continued)

FOREIGN PATENT DOCUMENTS

EP 1691654 8/2006
FR 2259574 8/1975

Primary Examiner — Katrina A Betton

(74) *Attorney, Agent, or Firm* — Kevin M. Klughart; Carstens & Cahoon, LLP

(57) **CLAIM**

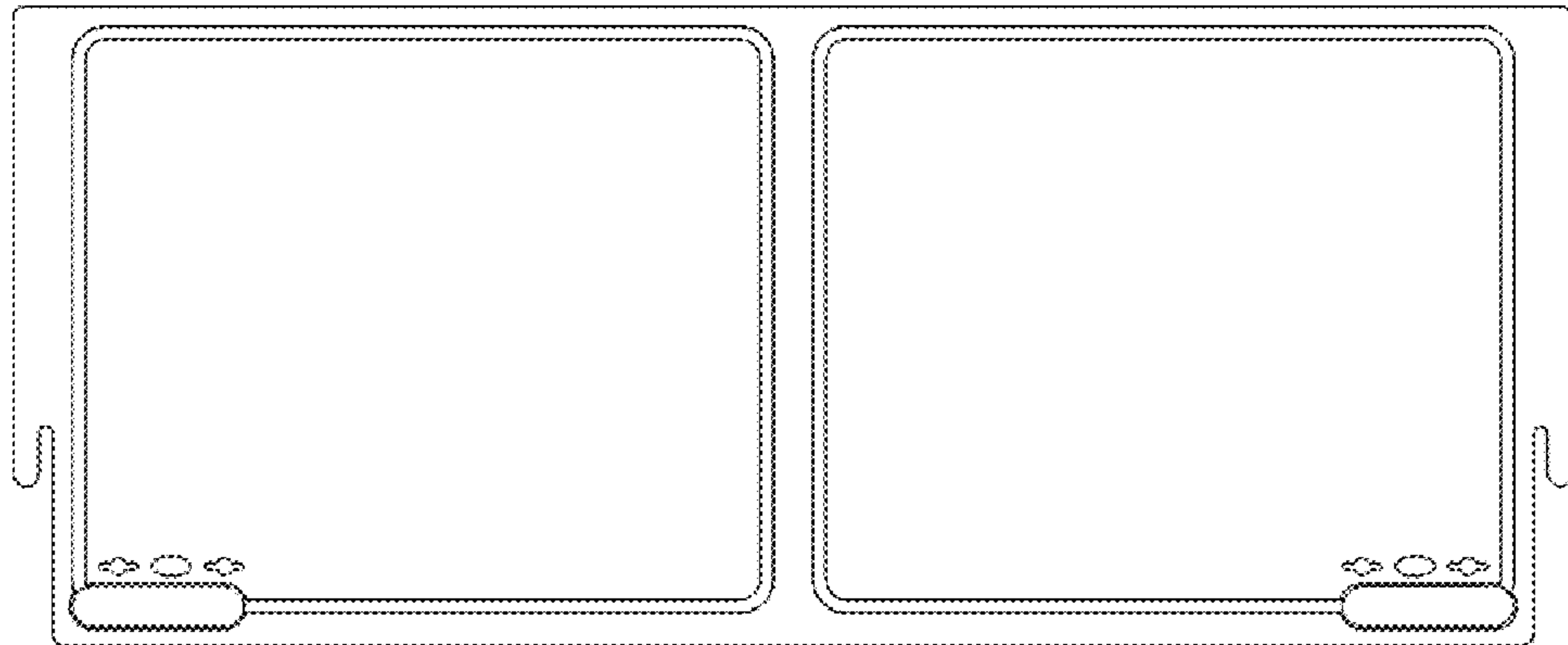
The ornamental design for a tailgate food preparation structure, as shown and described.

DESCRIPTION

FIG. 1 illustrates a top view of the tailgate food preparation structure of the present invention;
FIG. 2 illustrates a top perspective view thereof;
FIG. 3 illustrates a top perspective view thereof showing detail of the drainage handle and utensil retainers;
FIG. 4 illustrates a top perspective horizontal sectional view thereof showing detail of the drainage handle and utensil retainers;

FIG. 5 illustrates a bottom view thereof;
FIG. 6 illustrates a bottom perspective view thereof;
FIG. 7 illustrates a bottom perspective view thereof showing detail of the drainage handle and utensil retainers;
FIG. 8 illustrates a bottom perspective vertical sectional view thereof showing detail of the drainage handle and utensil retainers;
FIG. 9 illustrates a top view of an alternate preferred exemplary invention design incorporating hinged assembly;
FIG. 10 illustrates a top perspective view of an alternate invention design incorporating hinged assembly;
FIG. 11 illustrates a top perspective detail view of an alternate invention design incorporating hinged assembly;
FIG. 12 illustrates a top perspective detail view of an alternate invention design incorporating hinged assembly;
FIG. 13 illustrates a bottom view of an alternate invention design incorporating hinged assembly;
FIG. 14 illustrates a bottom perspective view of an alternate invention design incorporating hinged assembly;
FIG. 15 illustrates a bottom perspective detail view of an alternate invention design incorporating hinged assembly;
FIG. 16 illustrates a bottom perspective detail view of an alternate invention design incorporating hinged assembly;
FIG. 17 illustrates a perspective view of an alternate invention design incorporating hinged assembly viewed as slightly folded in a first state;
FIG. 18 illustrates a perspective view of an alternate invention design incorporating hinged assembly viewed as slightly folded in a second state;
FIG. 19 illustrates a perspective view of an alternate invention design incorporating hinged assembly viewed as folded in a third state;
FIG. 20 illustrates a perspective view of an alternate invention design incorporating hinged assembly viewed as folded in a fourth state;
FIG. 21 illustrates a top perspective view of an alternate invention design incorporating hinged assembly mated to a tailgate and retained by tailgate support cables;
FIG. 22 illustrates a top detail perspective view of an alternate invention design incorporating hinged assembly mated to a tailgate and retained by tailgate support cables; FIG. 23 illustrates a bottom perspective view of an alternate invention design incorporating hinged assembly mated to a tailgate and retained by tailgate support cables; and,
FIG. 24 illustrates a bottom detail perspective view of an alternate invention design incorporating hinged assembly mated to a tailgate and retained by tailgate support cables.
The tailgate and tailgate support cables in the views are for illustrative purposes only and form no part of the claimed design.

1 Claim, 24 Drawing Sheets



(56)

References Cited

U.S. PATENT DOCUMENTS

3,877,144	A	4/1975	LeBlanc	5,732,995	A	3/1998	Piccariello
4,002,387	A	1/1977	Wolbrink	5,857,741	A *	1/1999	Anderson 297/170
4,077,123	A	3/1978	Popeil et al.	6,045,172	A *	4/2000	Thomas et al. 296/26.1
4,089,276	A	5/1978	Enos	6,145,447	A *	11/2000	Henderson 108/44
4,161,335	A	7/1979	Nix et al.	D439,559	S *	3/2001	Caro D12/400
4,889,378	A	12/1989	Sims	6,206,445	B1	3/2001	Brooks
4,907,789	A	3/1990	Tice	D445,395	S *	7/2001	Okerlund et al. D12/400
5,000,503	A	3/1991	Bernatek	6,314,891	B1 *	11/2001	Larson 108/44
5,136,953	A	8/1992	Schmidt	6,336,413	B1 *	1/2002	Ball 108/44
5,169,201	A	12/1992	Gower	6,467,417	B1 *	10/2002	Guyot et al. 108/44
5,169,202	A	12/1992	Cupp et al.	D475,678	S *	6/2003	Evans D12/400
5,372,397	A	12/1994	Arndt	6,641,190	B2	11/2003	Kirchhoff
5,386,978	A	2/1995	Ladwig	6,739,269	B1 *	5/2004	Benton 108/44
5,533,771	A	7/1996	Taylor et al.	6,941,655	B1	9/2005	Bisland
D381,564	S	7/1997	Kolada	7,354,090	B1	4/2008	Pomorski
5,649,734	A *	7/1997	Speis 296/57.1	7,513,557	B2	4/2009	Leigh-Monstevens
5,730,066	A *	3/1998	Auten et al. 108/44	D616,700	S *	6/2010	Pourounidis et al. D7/388
				7,905,532	B2	3/2011	Johnson
				8,061,761	B1	11/2011	Sierra
				8,376,448	B2	2/2013	Sierra

* cited by examiner

FIG. 1

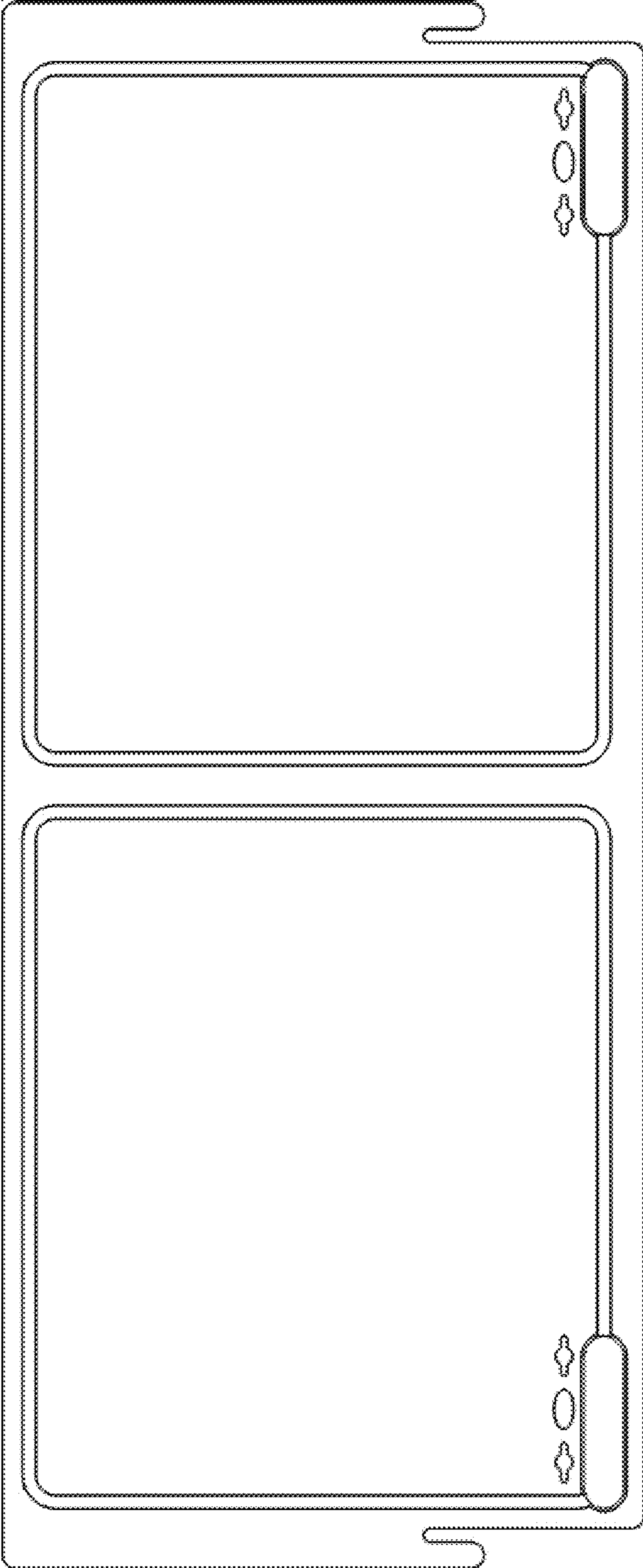


FIG. 2

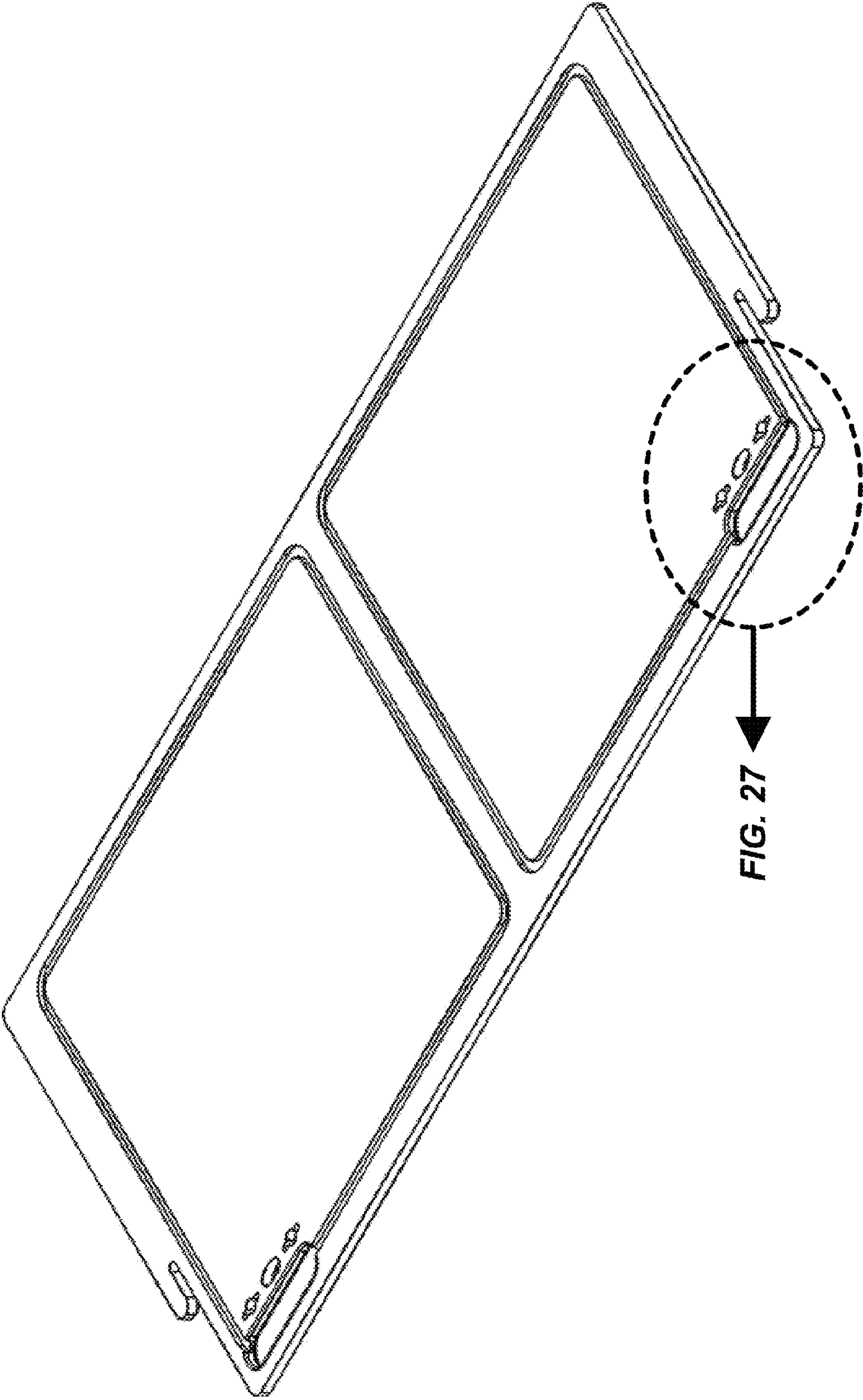


FIG. 3

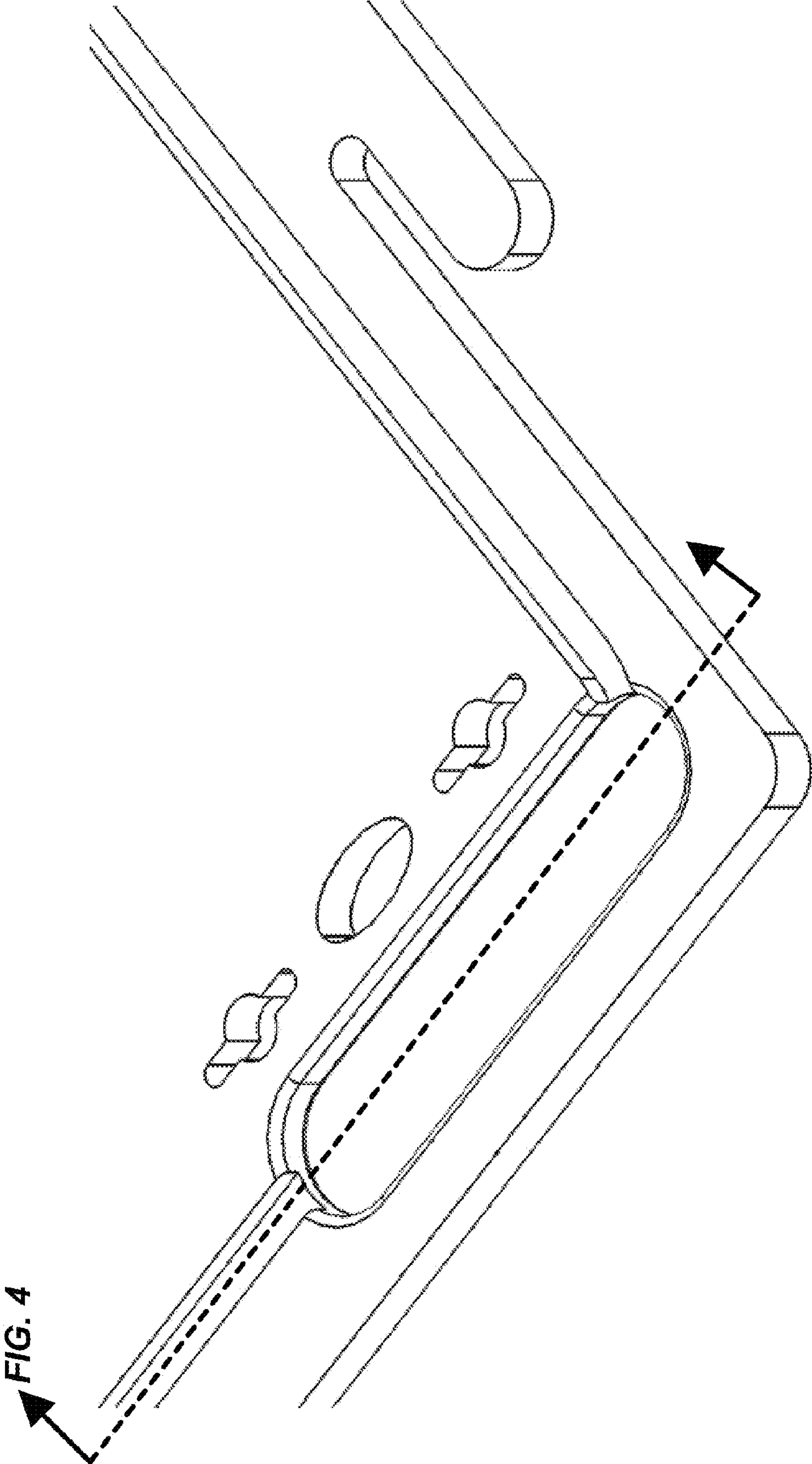


FIG. 4

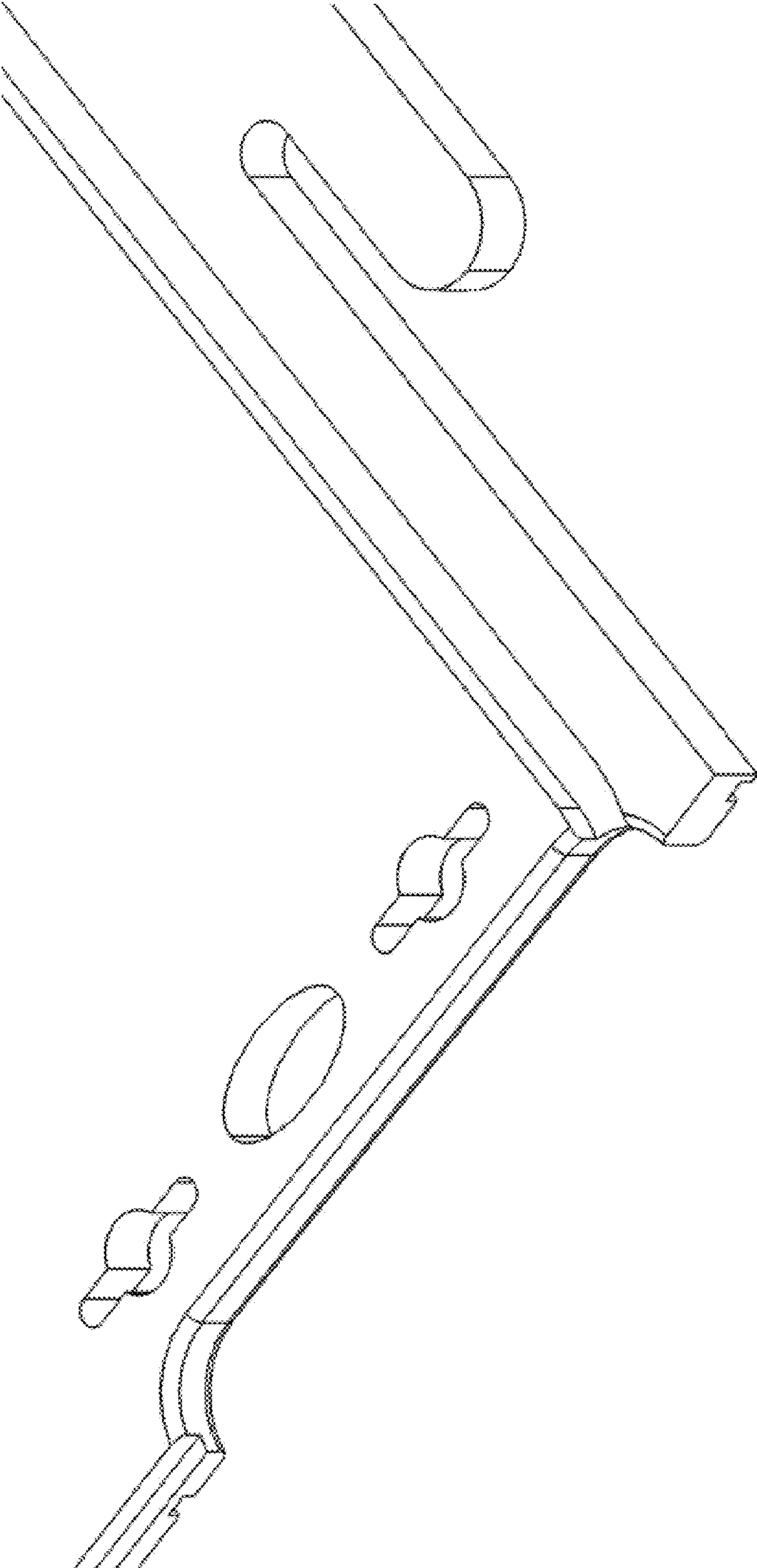


FIG. 5

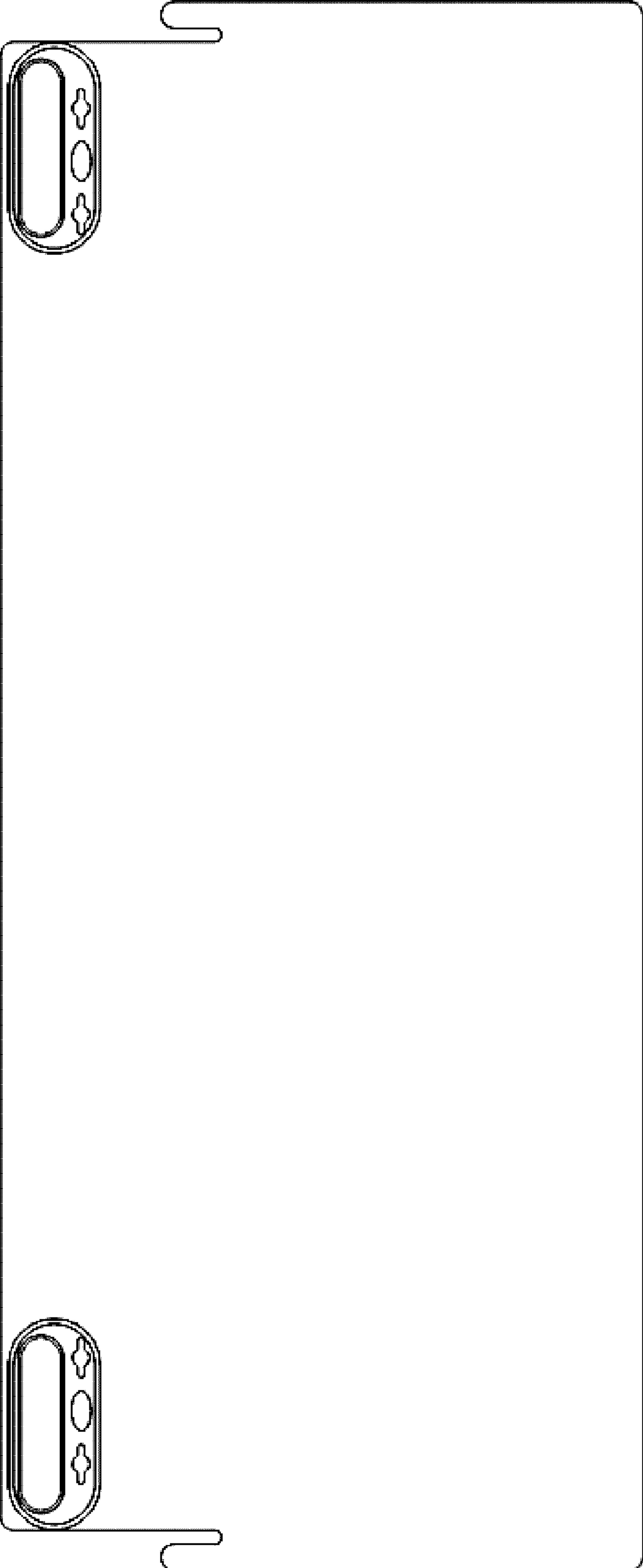


FIG. 6

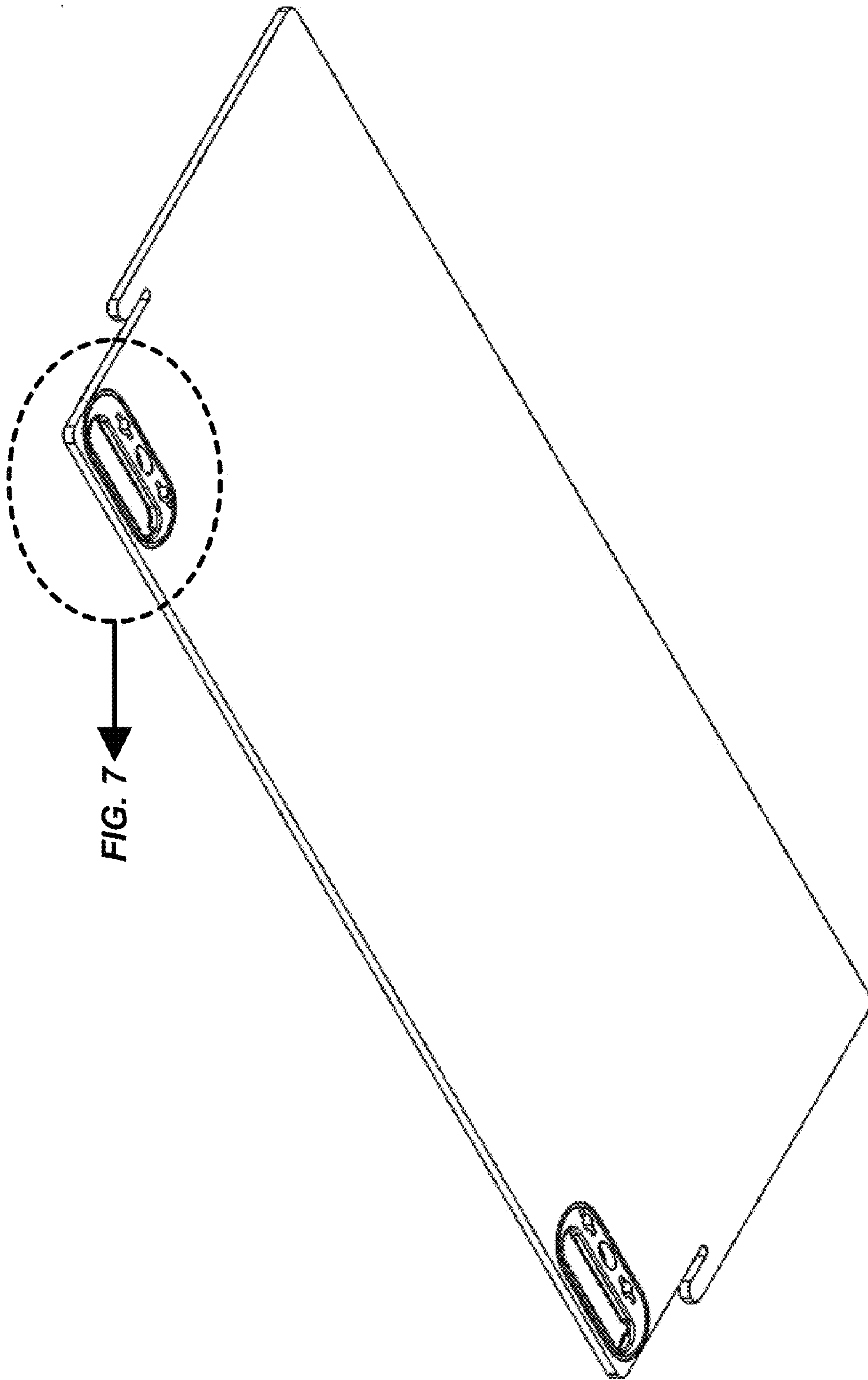


FIG. 7

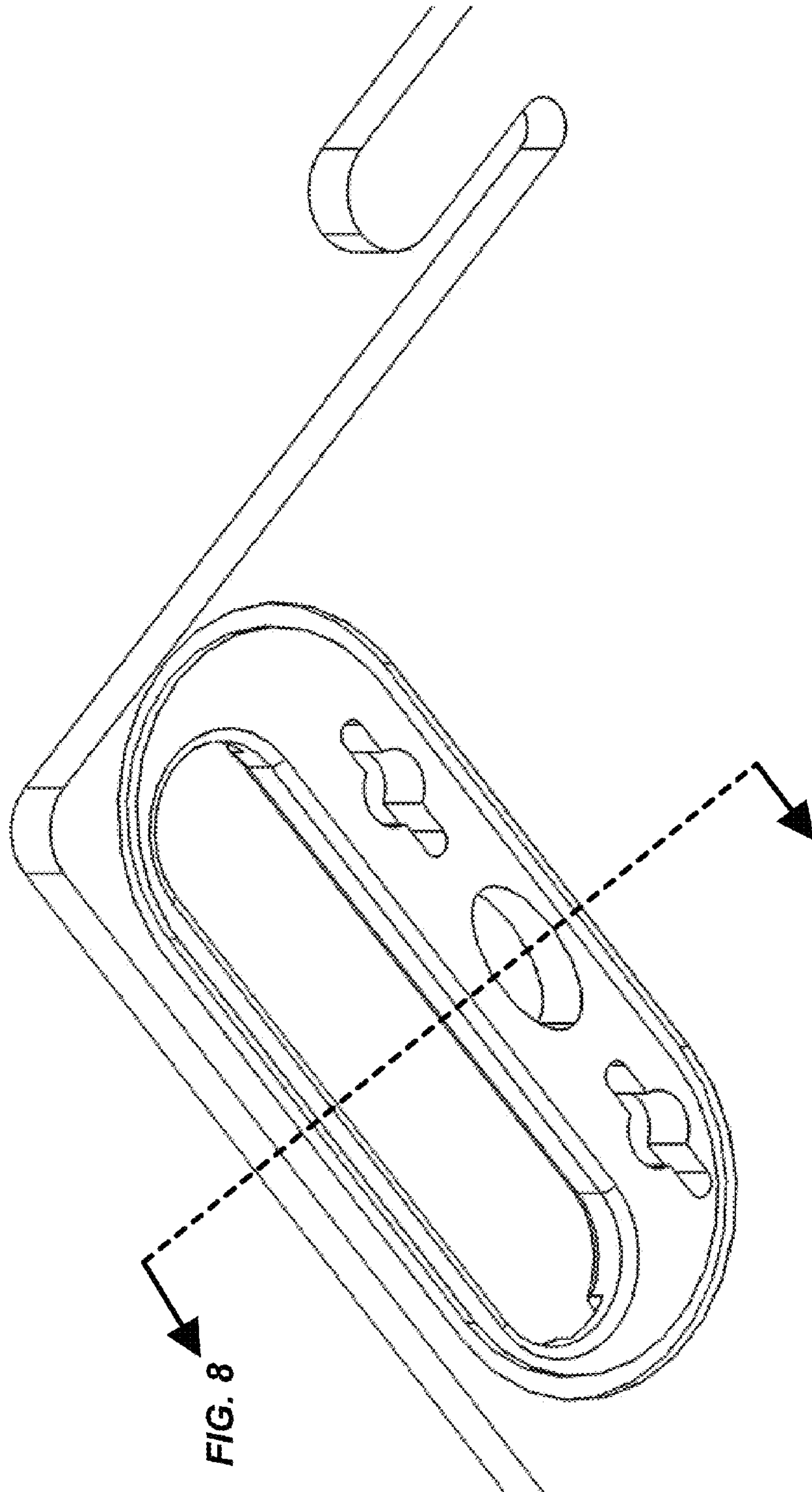


FIG. 8

FIG. 8

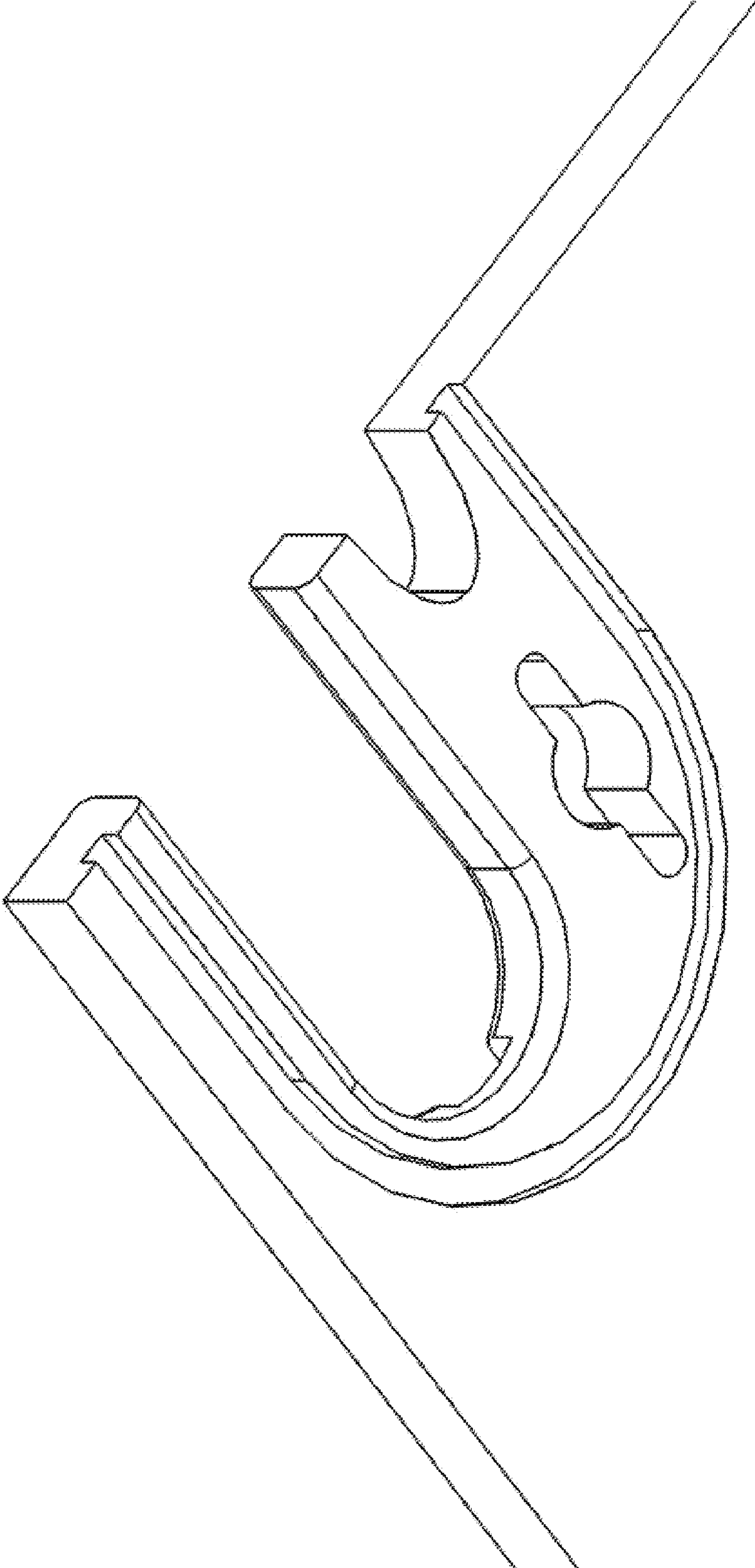


FIG. 9

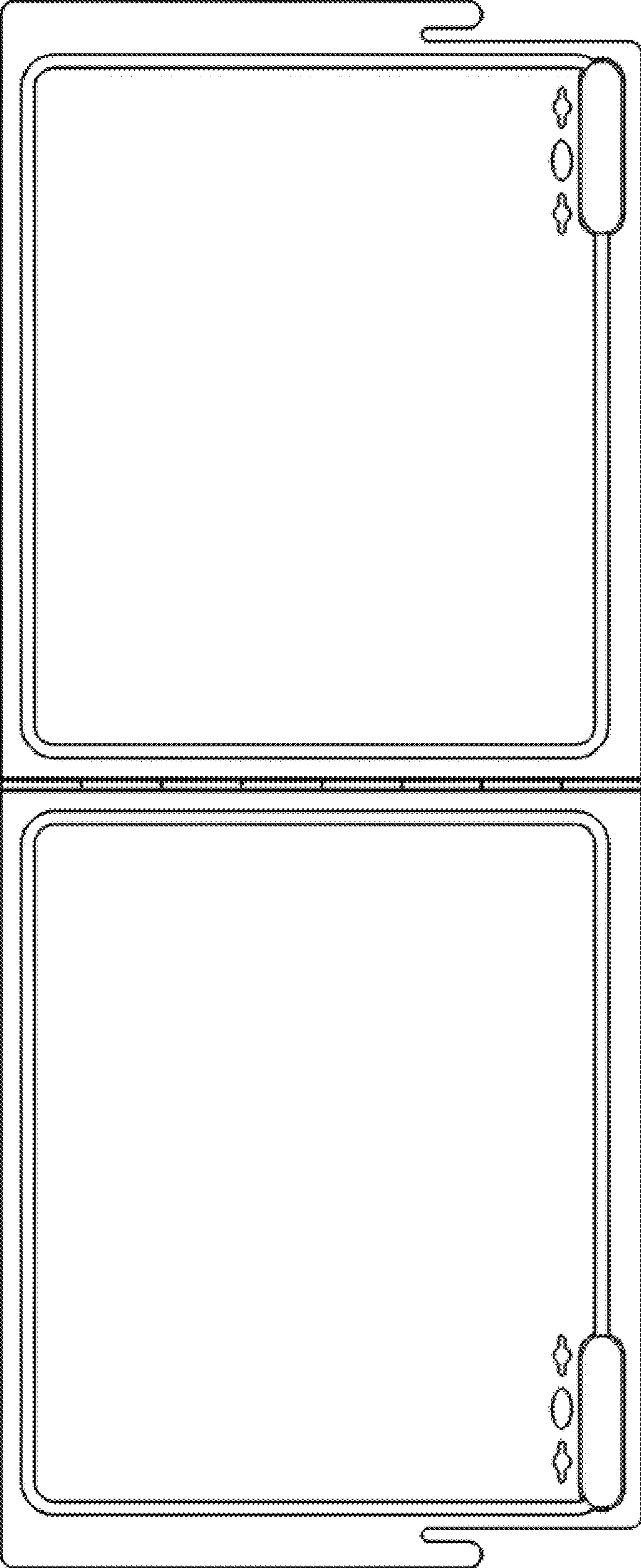


FIG. 10

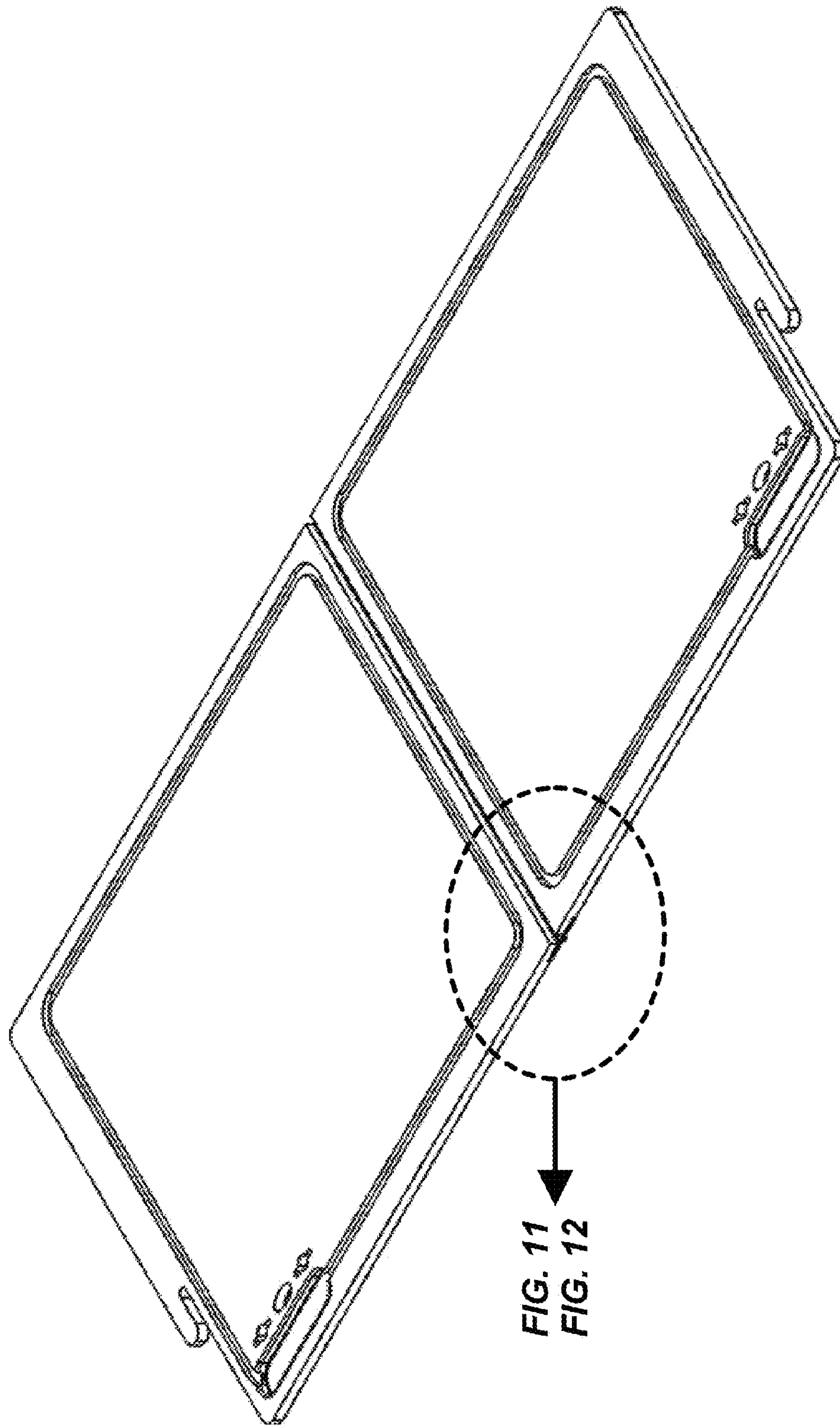


FIG. 11

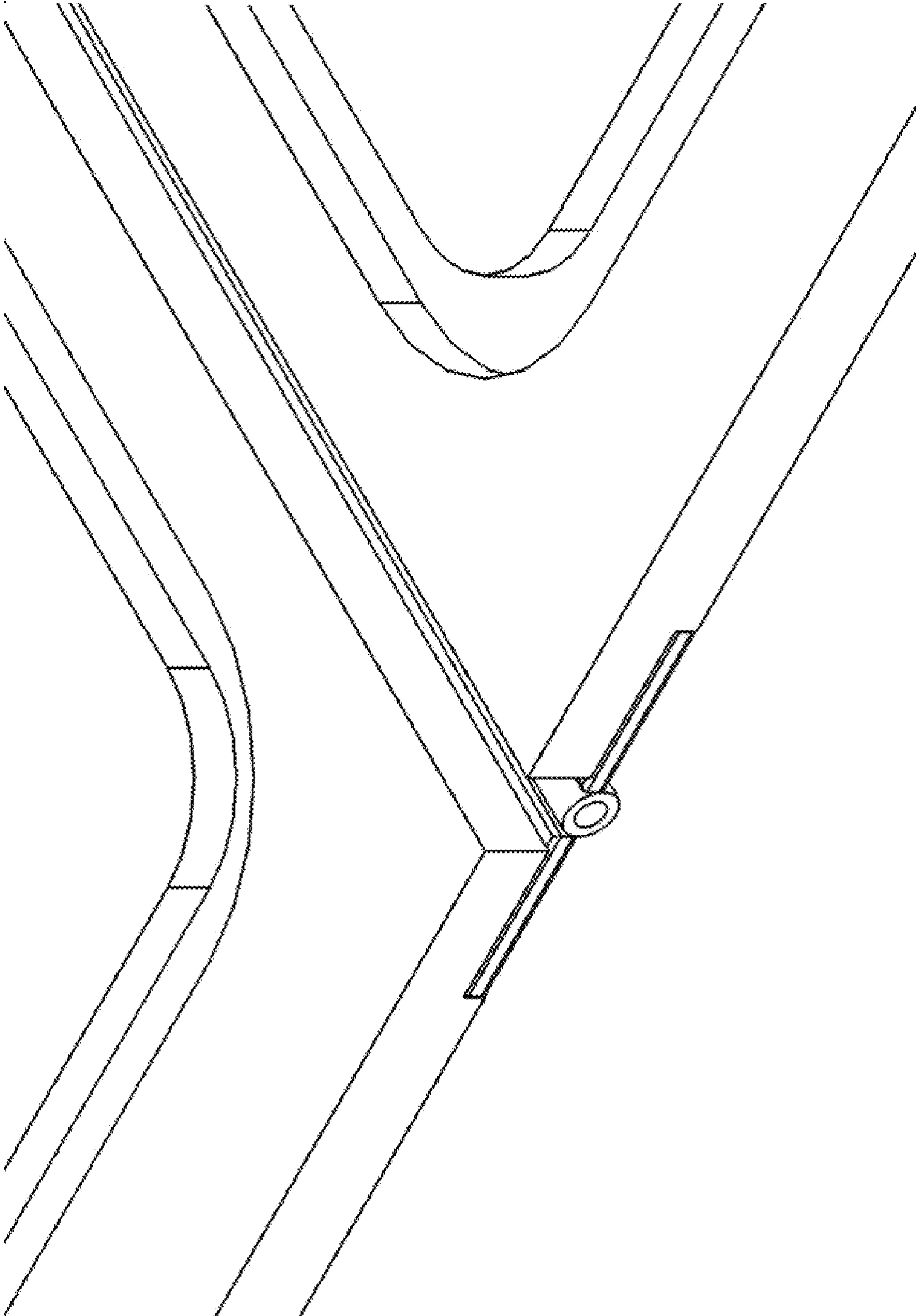


FIG. 12

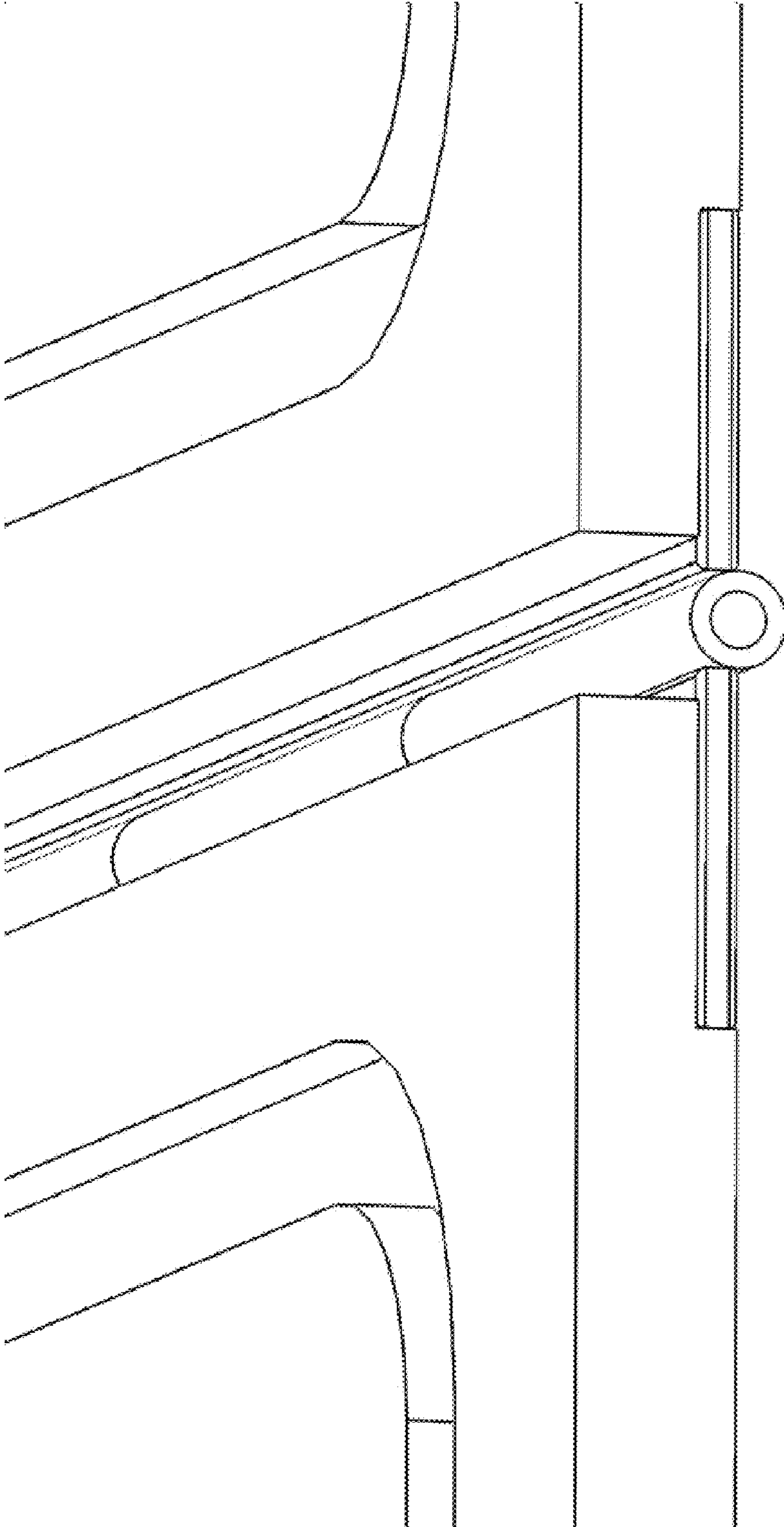


FIG. 13

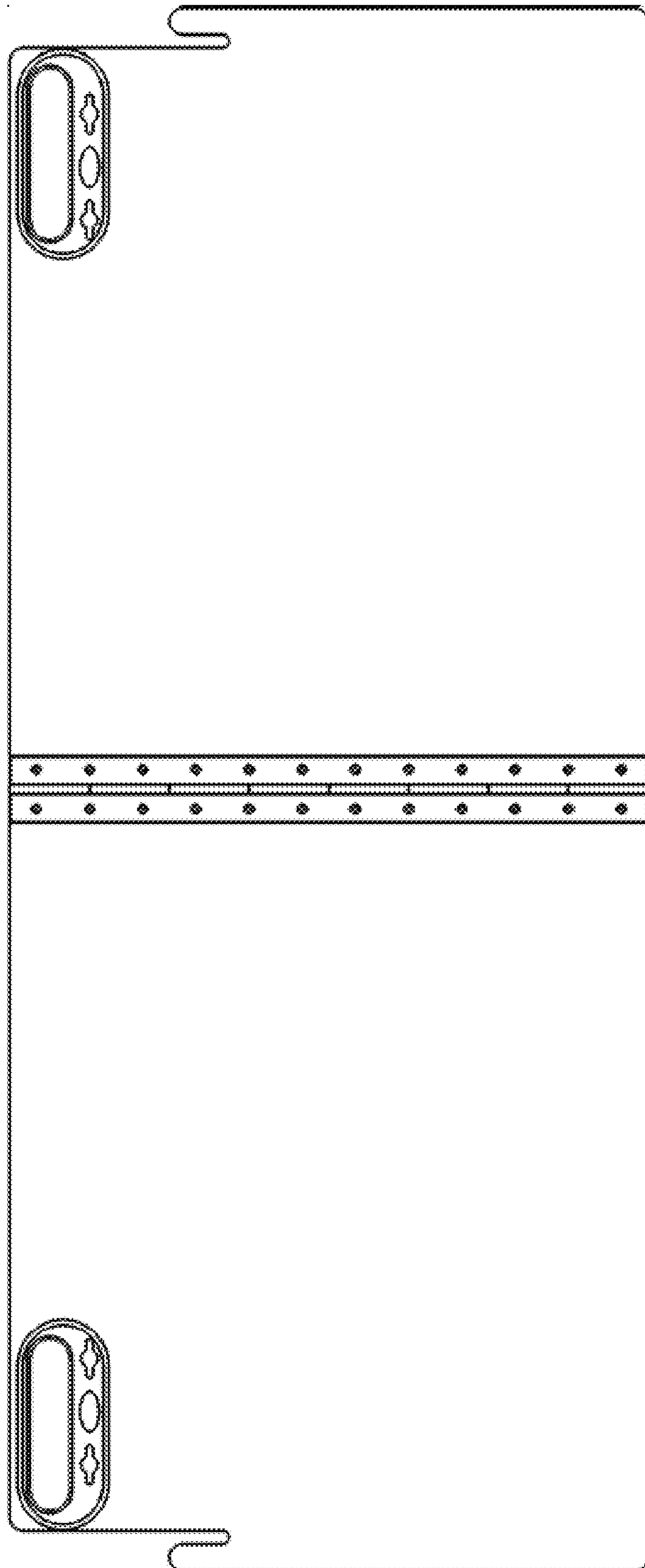


FIG. 14

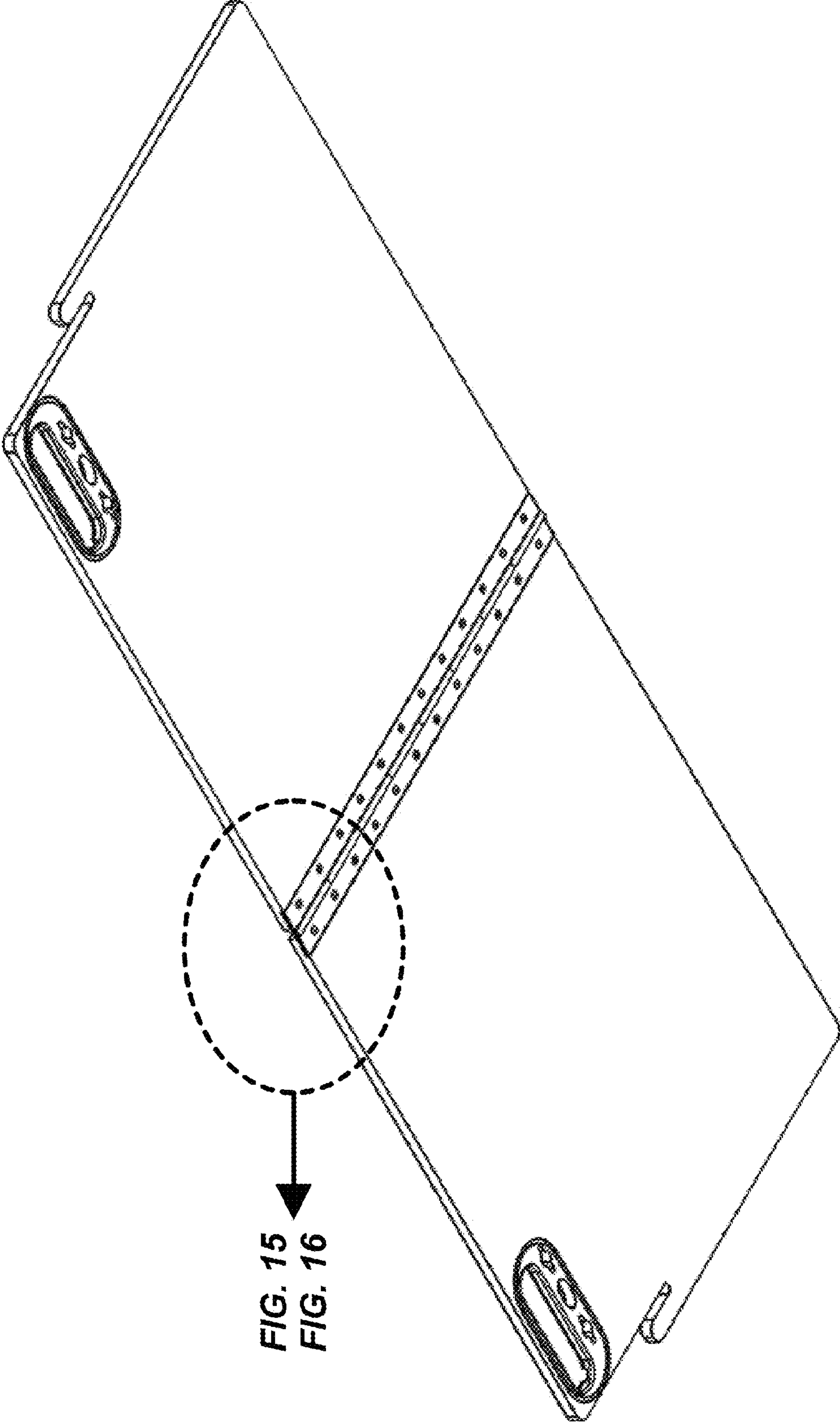


FIG. 15
FIG. 16

FIG. 15

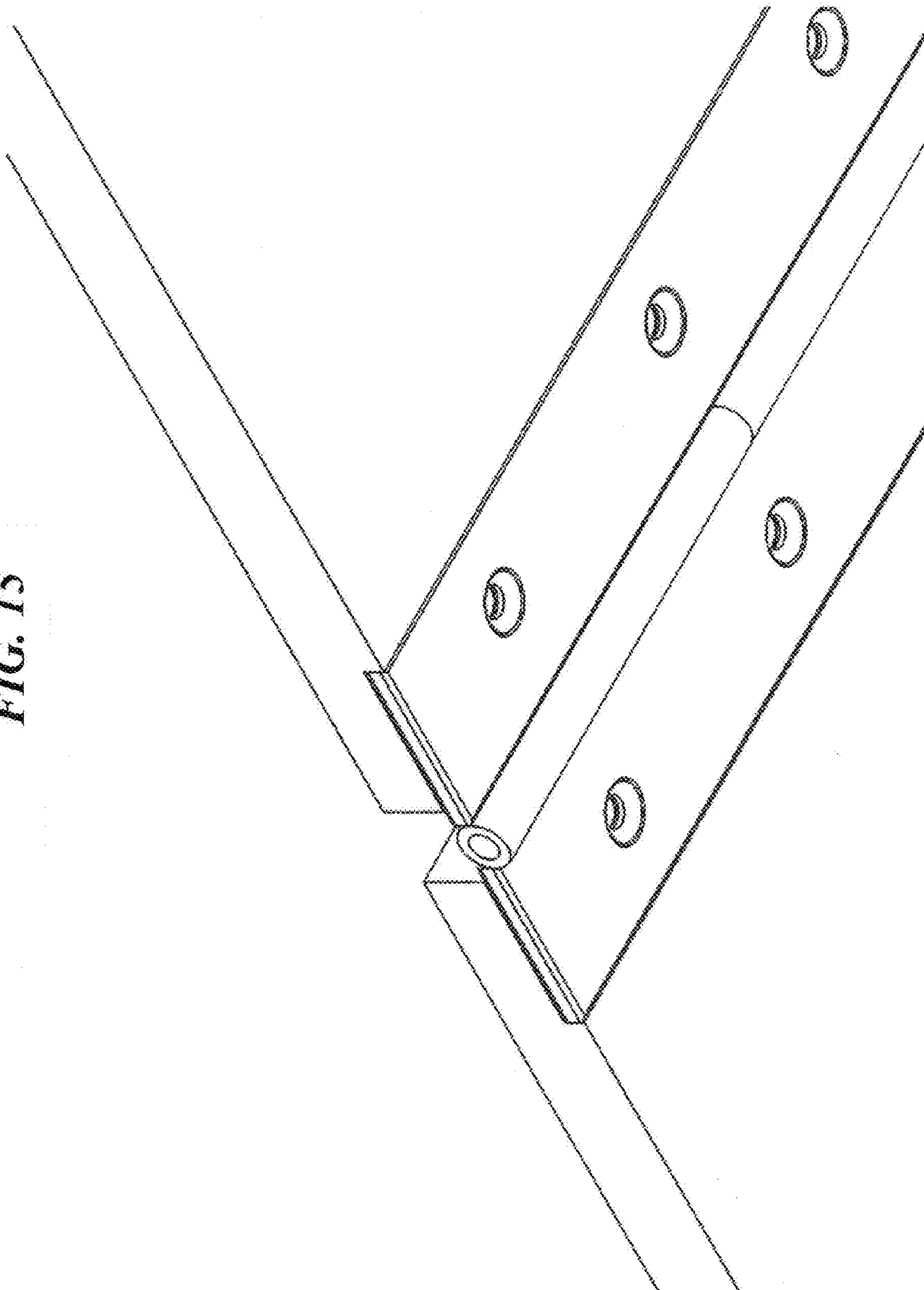


FIG. 16

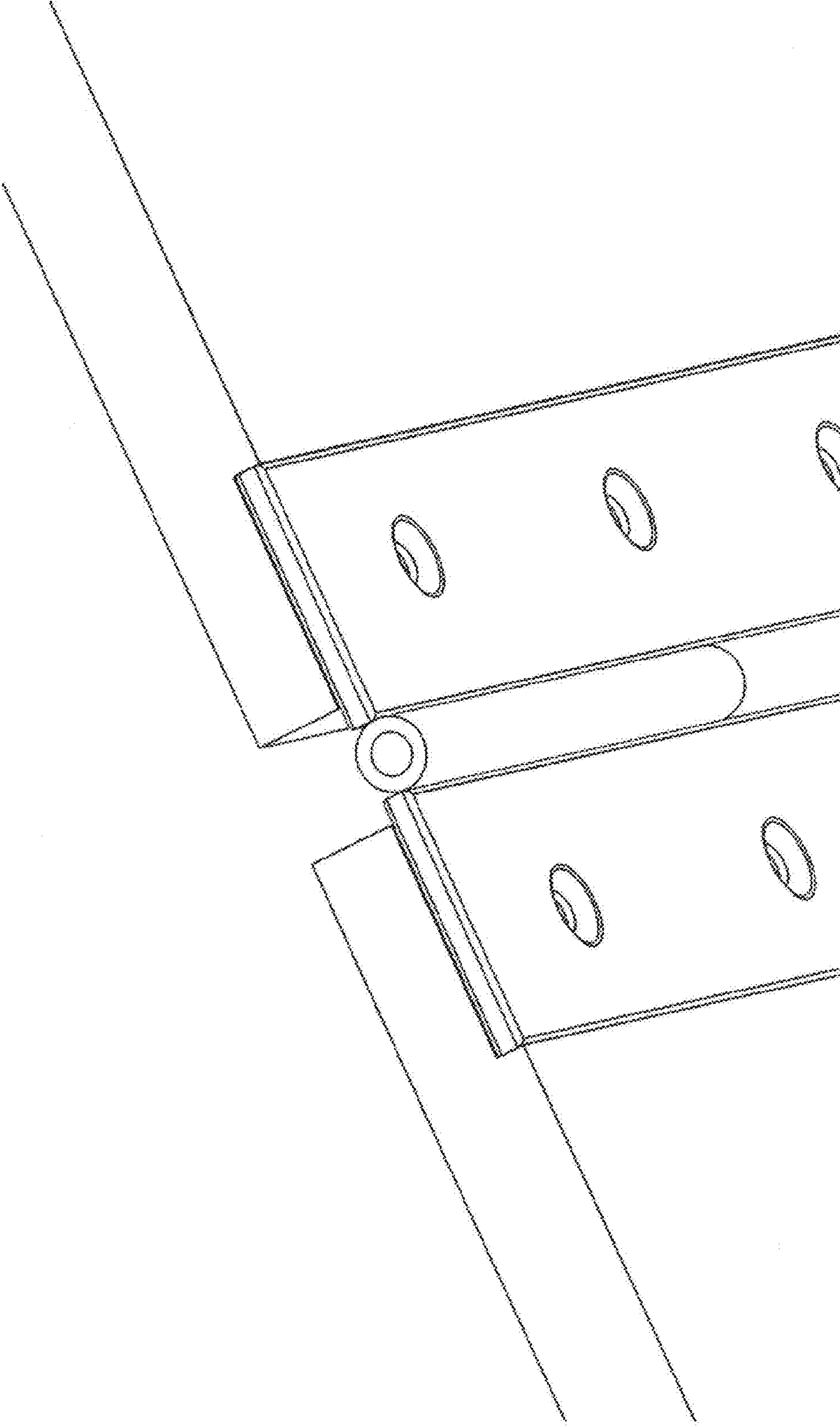


FIG. 17

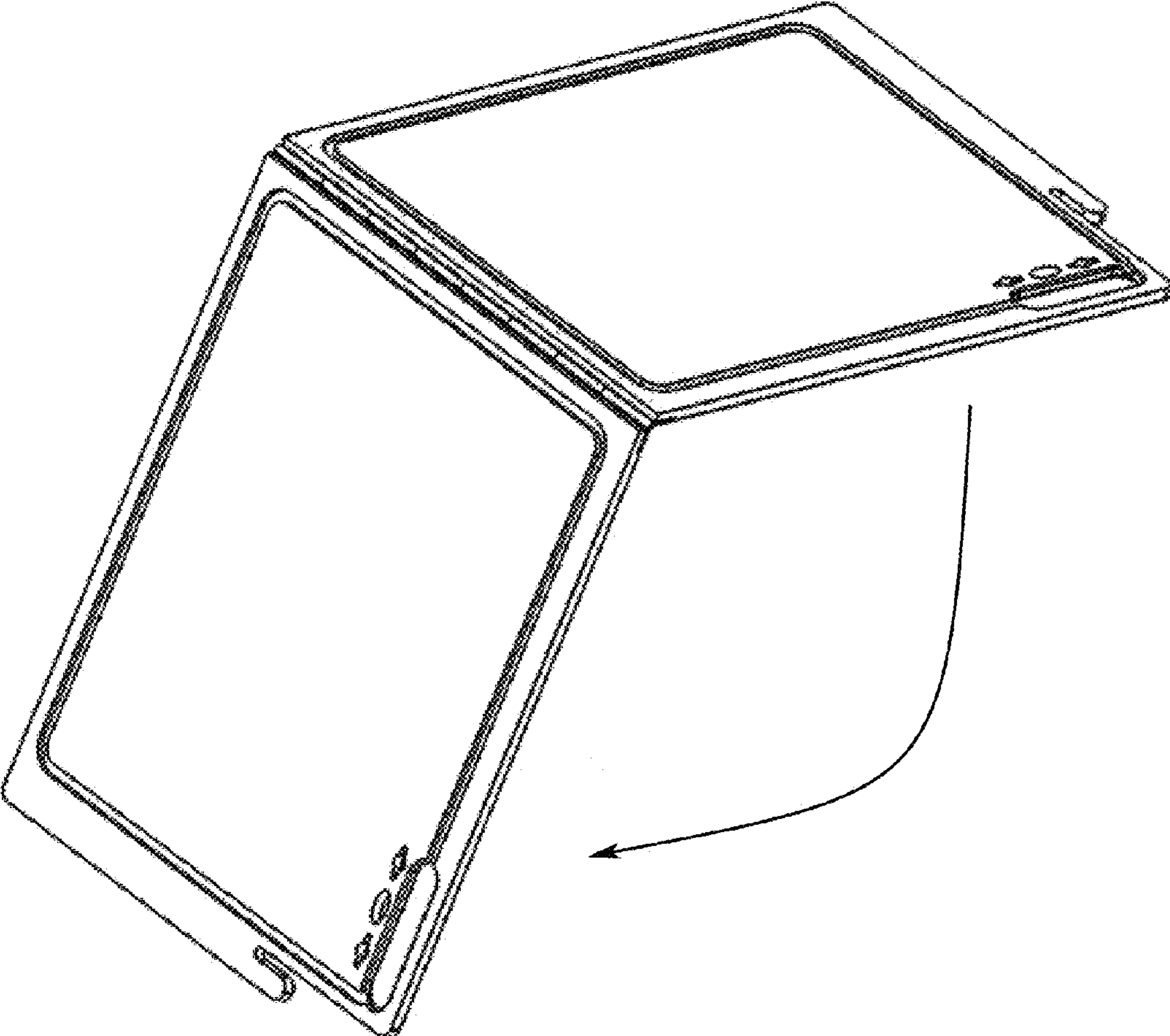


FIG. 18

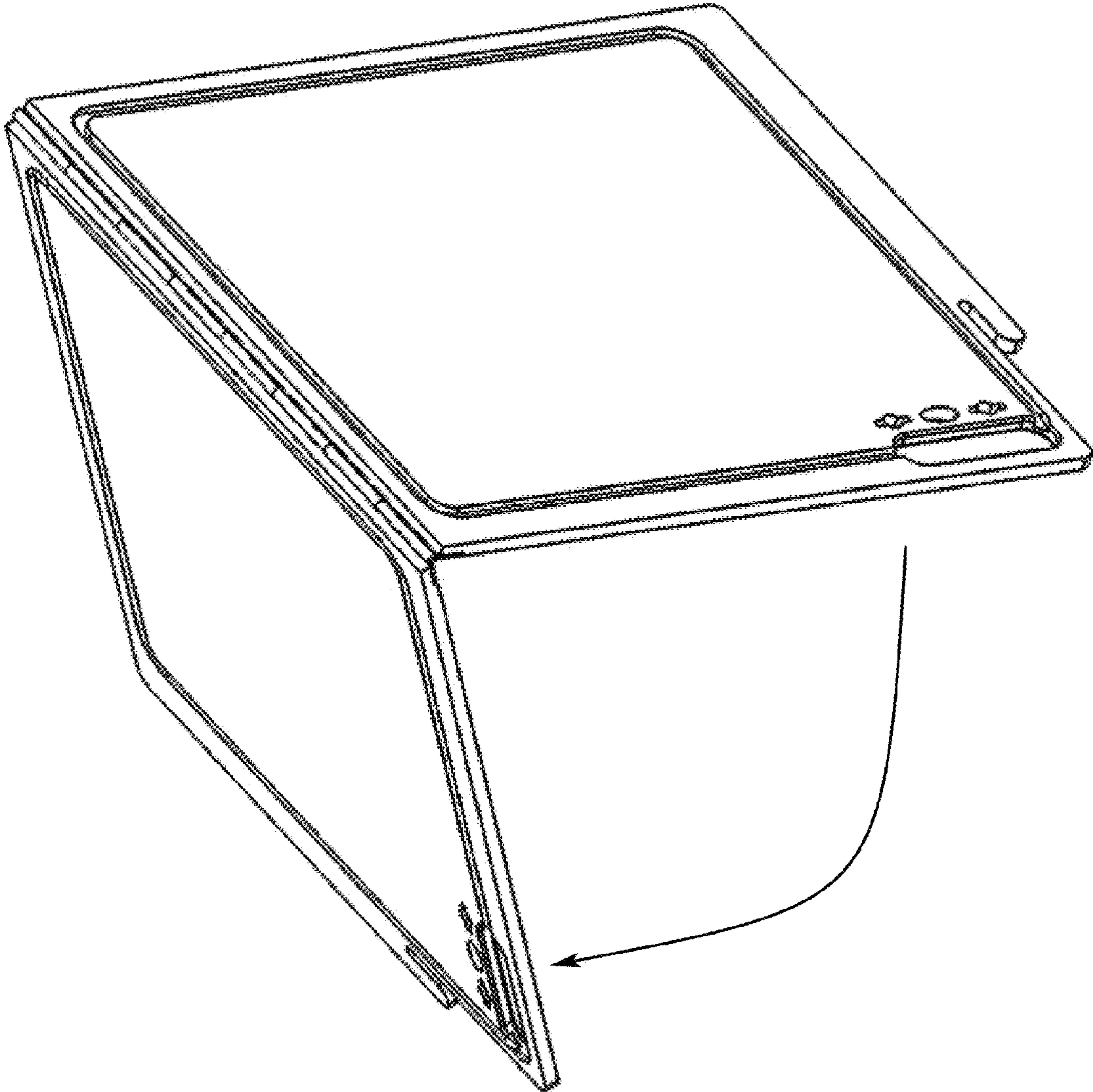


FIG. 19

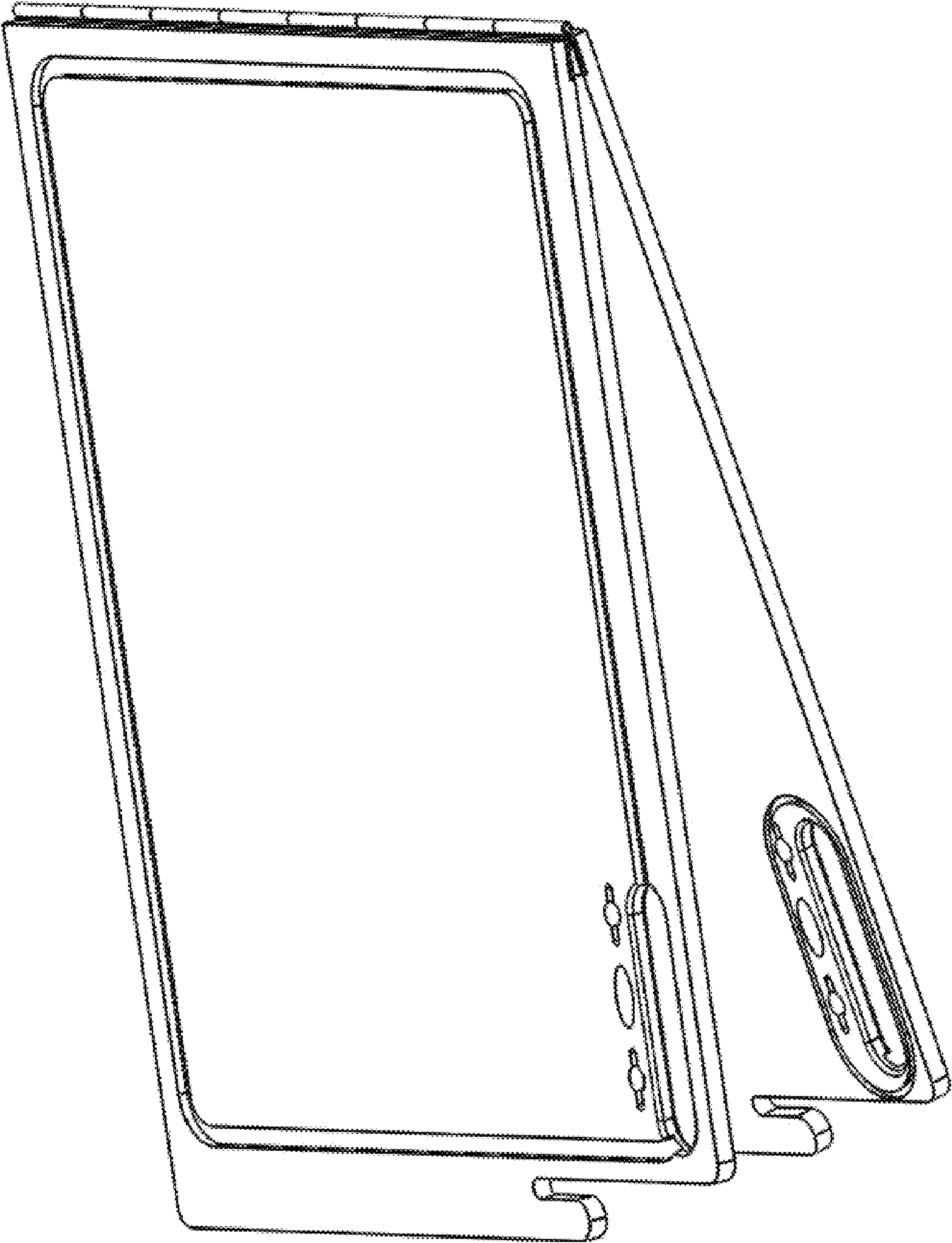


FIG. 20

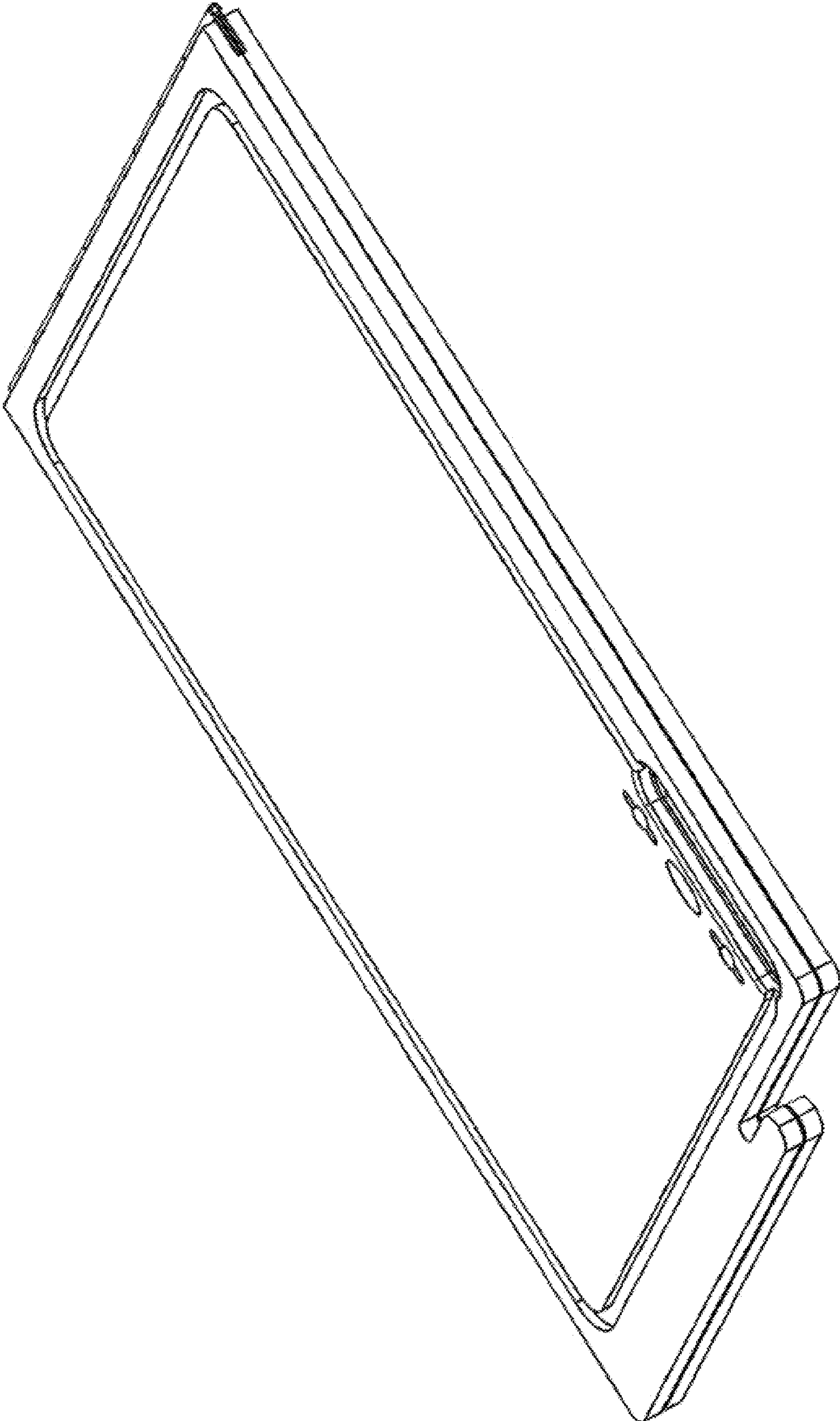


FIG. 21

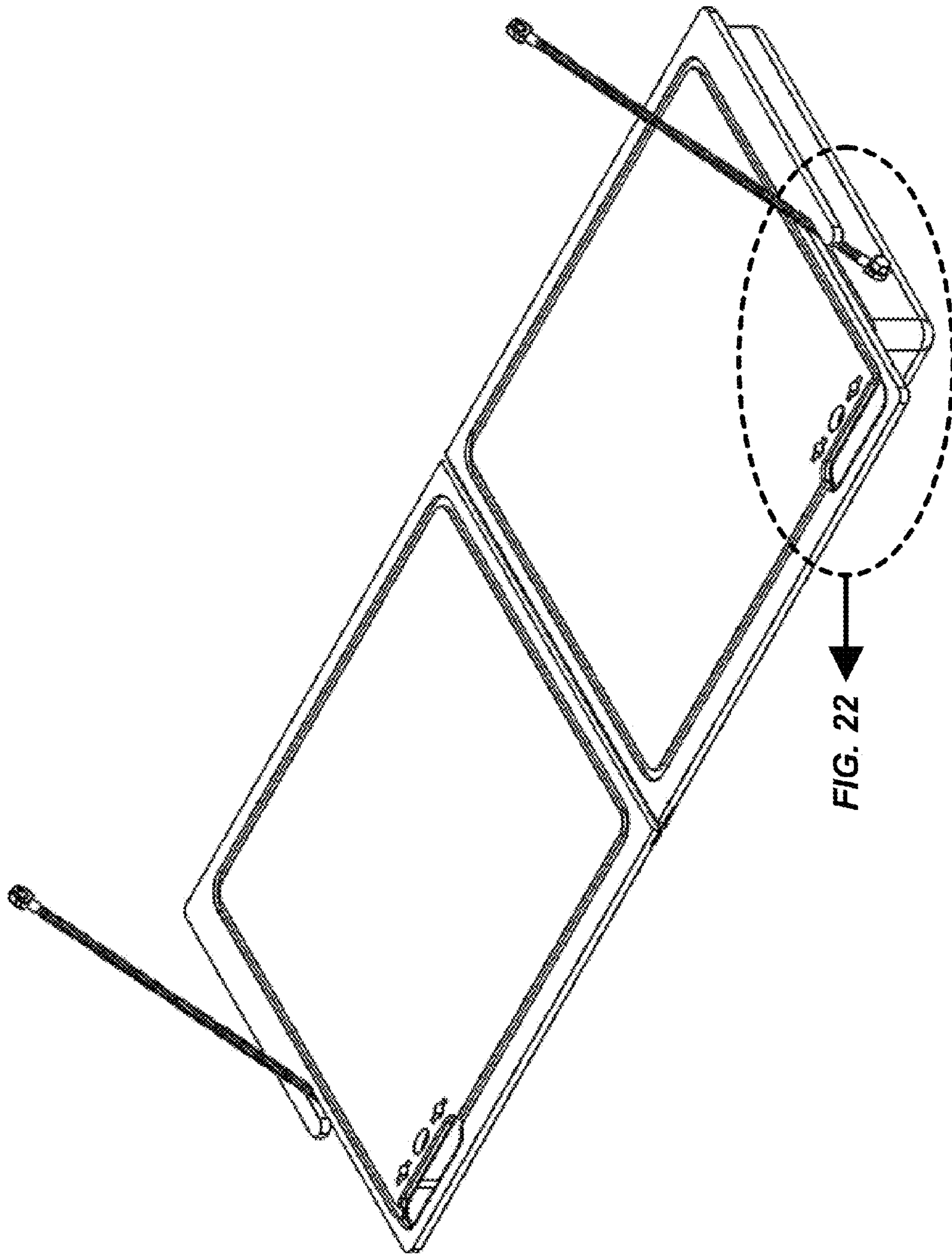


FIG. 22

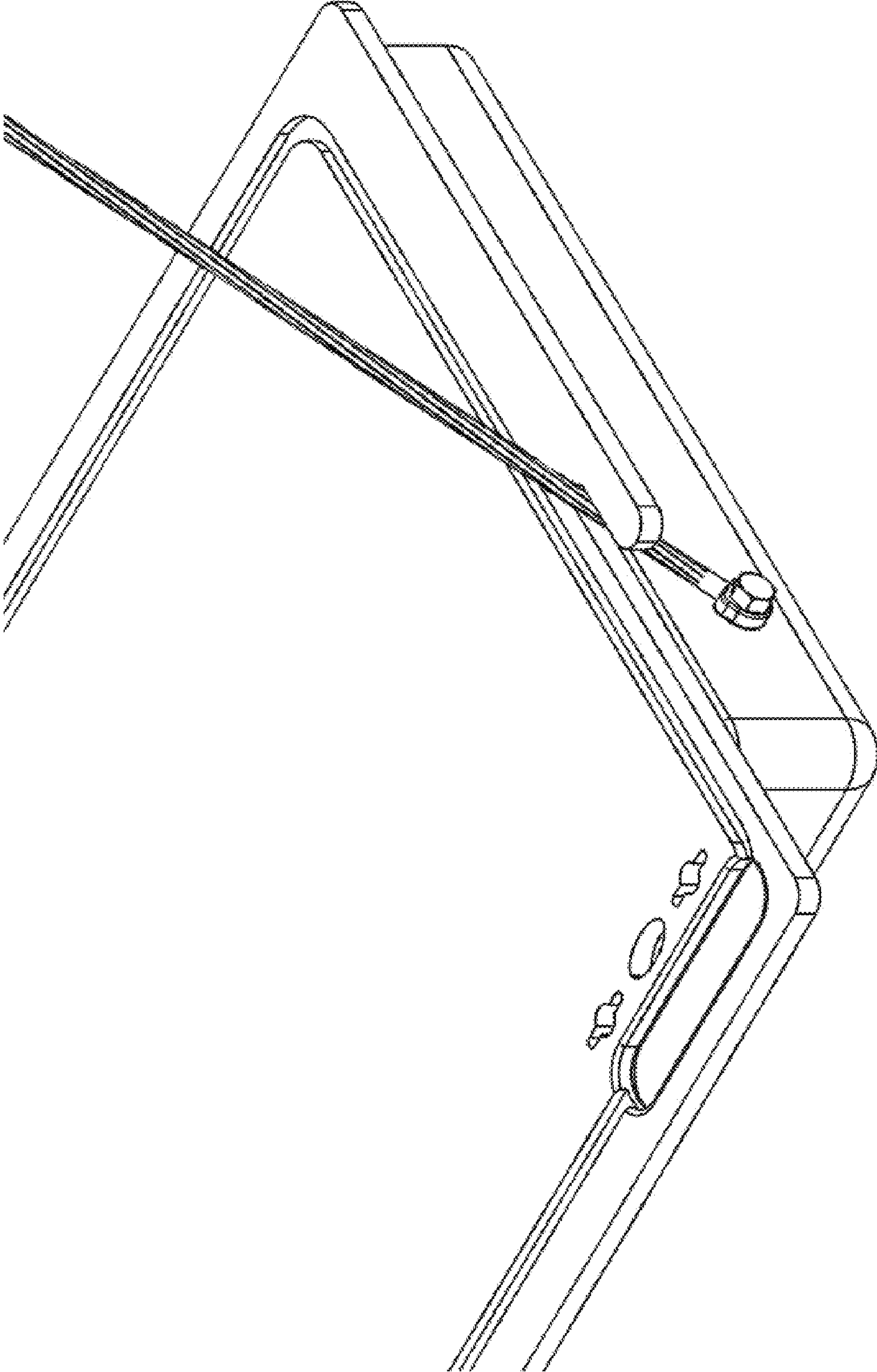


FIG. 23

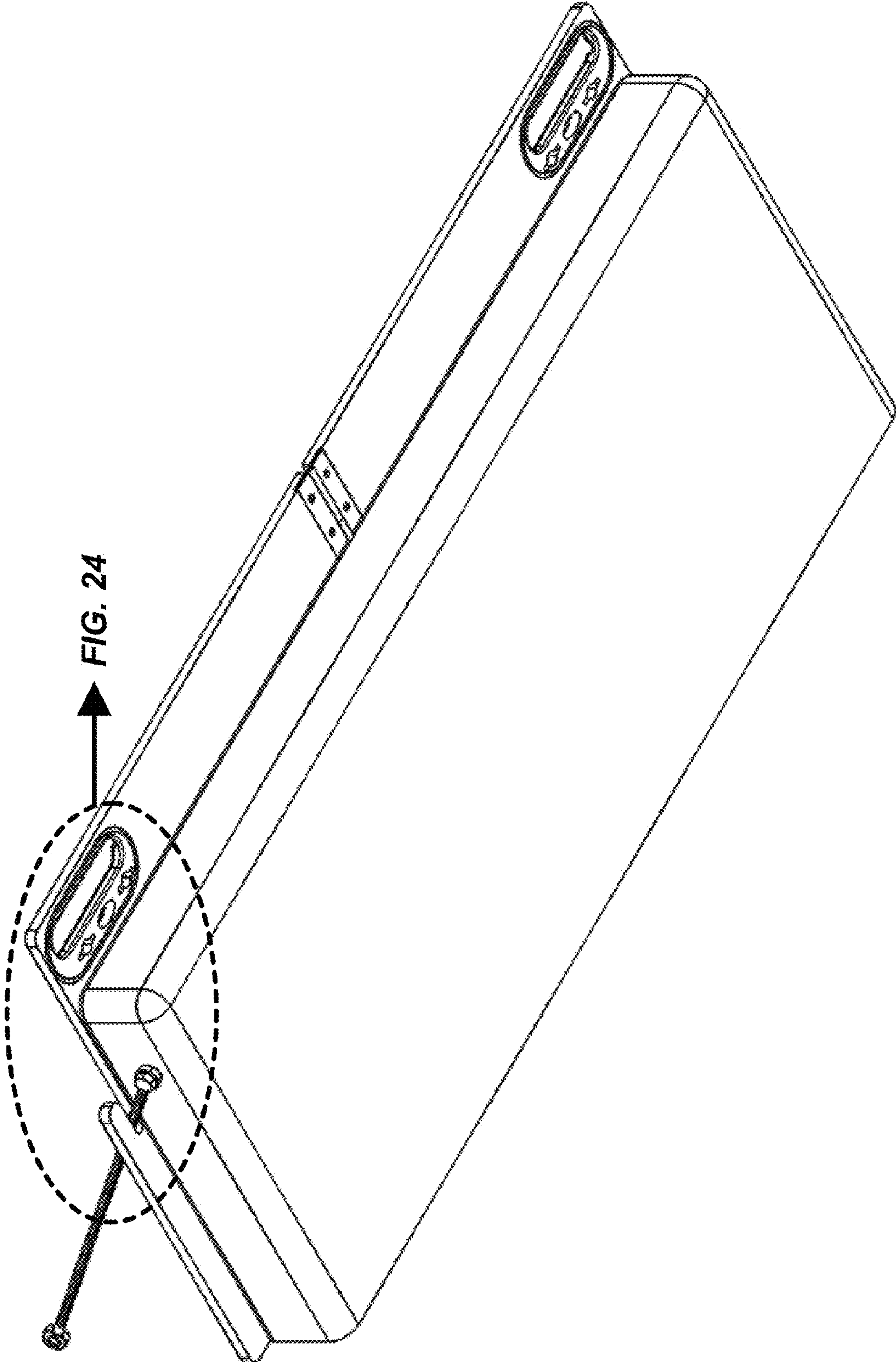


FIG. 24

