



US00D743320S

(12) **United States Design Patent**  
**Ross et al.**

(10) **Patent No.:** **US D743,320 S**  
(45) **Date of Patent:** **\*\* Nov. 17, 2015**

- (54) **ARMED TILTROTOR AIRCRAFT**
- (71) Applicant: **Bell Helicopter Textron Inc.**, Fort Worth, TX (US)
- (72) Inventors: **Brent C. Ross**, Ponder, TX (US);  
**Jeremy Chavez**, Colleyville, TX (US);  
**Steven Ivans**, Ponder, TX (US)
- (73) Assignee: **Bell Helicopter Textron Inc.**, Fort Worth, TX (US)

|              |      |         |                  |           |
|--------------|------|---------|------------------|-----------|
| 3,911,787    | A *  | 10/1975 | Seibel           | 89/34     |
| 4,762,049    | A *  | 8/1988  | Hughes           | 89/33.14  |
| 5,024,138    | A *  | 6/1991  | Sanderson et al. | 89/37.22  |
| 5,111,729    | A *  | 5/1992  | Tassie           | 89/33.02  |
| 5,187,318    | A *  | 2/1993  | Sanderson et al. | 89/37.22  |
| 5,245,908    | A *  | 9/1993  | Sanderson        | 89/34     |
| 5,263,397    | A *  | 11/1993 | Sanderson        | 89/37.22  |
| 5,417,141    | A *  | 5/1995  | Sanderson        | 89/37.22  |
| 5,932,831    | A *  | 8/1999  | Bandera          | 89/33.14  |
| D420,415     | S *  | 2/2000  | McClearen        | D22/103   |
| 7,481,147    | B1 * | 1/2009  | Serkland et al.  | 89/37.22  |
| 2010/0044508 | A1 * | 2/2010  | Pancotti et al.  | 244/118.1 |
| 2010/0294119 | A1 * | 11/2010 | Buechler et al.  | 89/33.2   |

(\*\*) Term: **14 Years**

(21) Appl. No.: **29/470,693**

(22) Filed: **Oct. 24, 2013**

(51) **LOC (10) Cl.** ..... **12-07**

(52) **U.S. Cl.**  
USPC ..... **D12/345; D22/101**

(58) **Field of Classification Search**  
USPC ..... D12/16.1, 319-345; D22/100, 101,  
D22/108, 110, 112, 115  
CPC ..... B64C 27/00; B64C 27/04; B64C 27/08;  
B64D 1/00; B64D 1/04; B64D 1/06; B64D  
7/00; B64D 7/02; B64D 7/08; F41F 3/00;  
F41F 3/04; F41F 3/0406; F41F 3/06; F41F  
3/065

See application file for complete search history.

(56) **References Cited**

**U.S. PATENT DOCUMENTS**

|           |     |        |               |          |
|-----------|-----|--------|---------------|----------|
| 2,398,871 | A * | 4/1946 | Buchal et al. | 89/1.815 |
| 2,731,885 | A * | 1/1956 | Nolan         | 89/1.815 |

\* cited by examiner

*Primary Examiner* — Martie K Holtje

(74) *Attorney, Agent, or Firm* — Bell Helicopter Textron Inc.

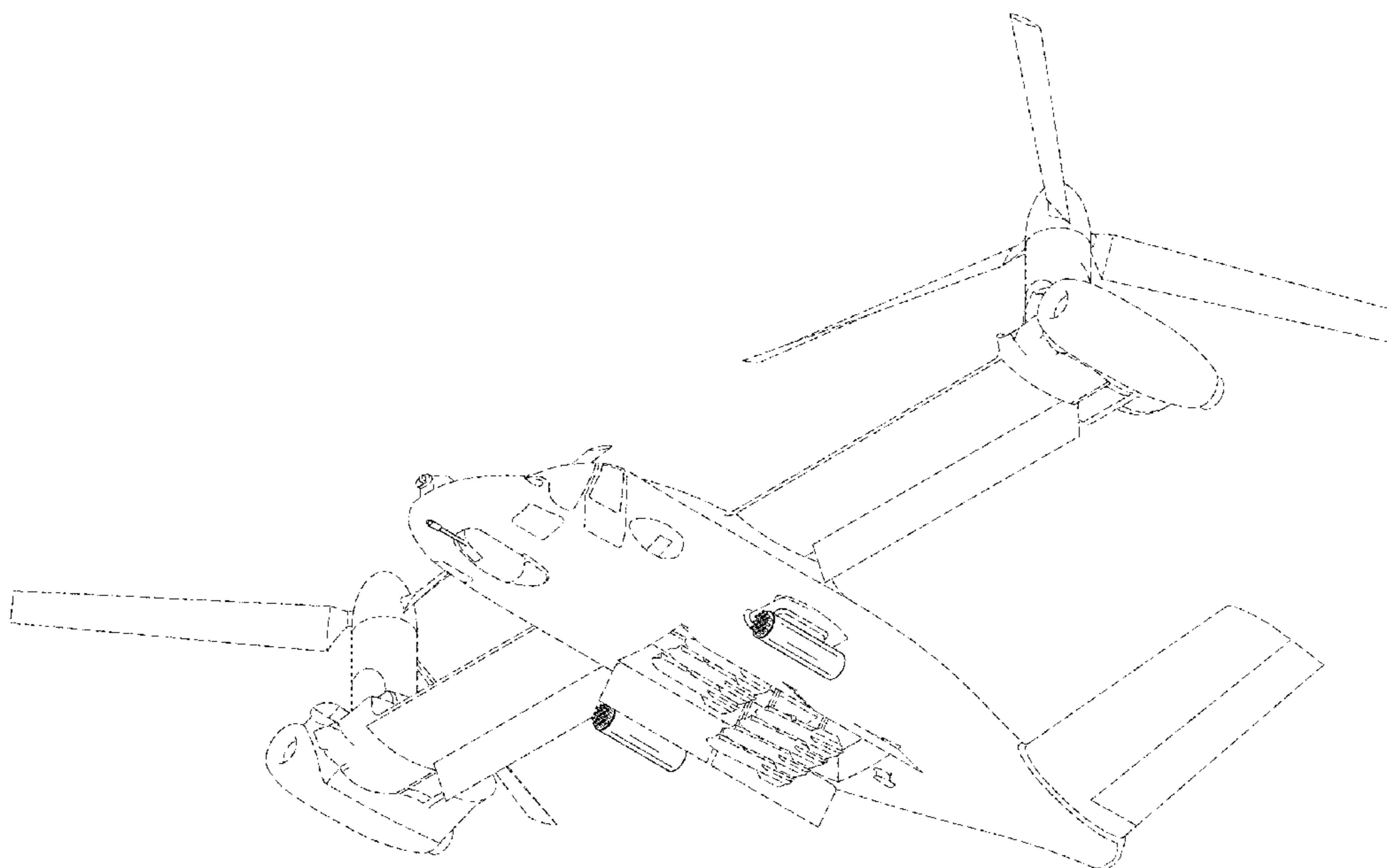
(57) **CLAIM**

The ornamental design for an armed tiltrotor aircraft, as shown and described.

**DESCRIPTION**

FIG. 1 is a top, right front perspective view of an armed tiltrotor aircraft showing our new design;  
 FIG. 2 is a front elevational view thereof;  
 FIG. 3 is a rear elevational view thereof;  
 FIG. 4 is a right side elevational view thereof;  
 FIG. 5 is a left side elevational view thereof;  
 FIG. 6 is a top plan view thereof;  
 FIG. 7 is a bottom plan view thereof; and,  
 FIG. 8 is a bottom, right front perspective view thereof.  
 The tiltrotor aircraft depicted by broken lines in the drawings has been shown for the purpose of illustrating environment that forms no part of the claimed design.

**1 Claim, 6 Drawing Sheets**



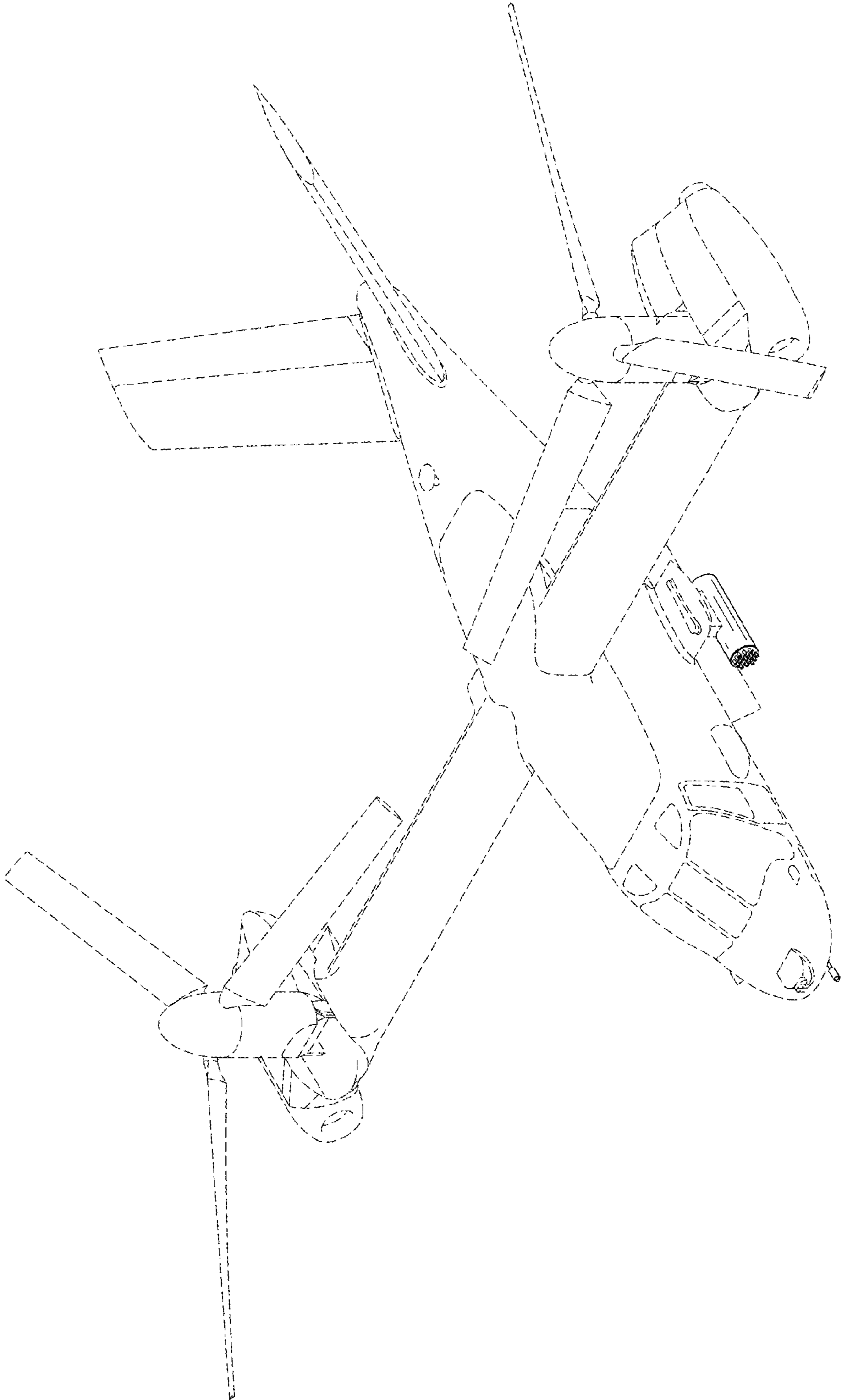


FIG. 1

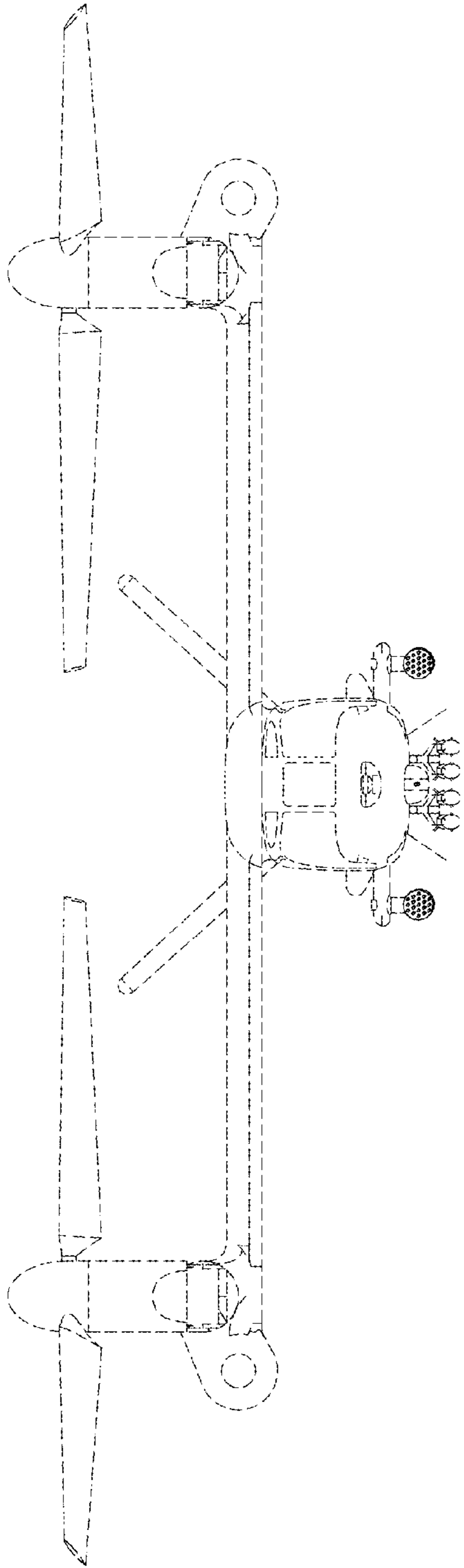


FIG. 2

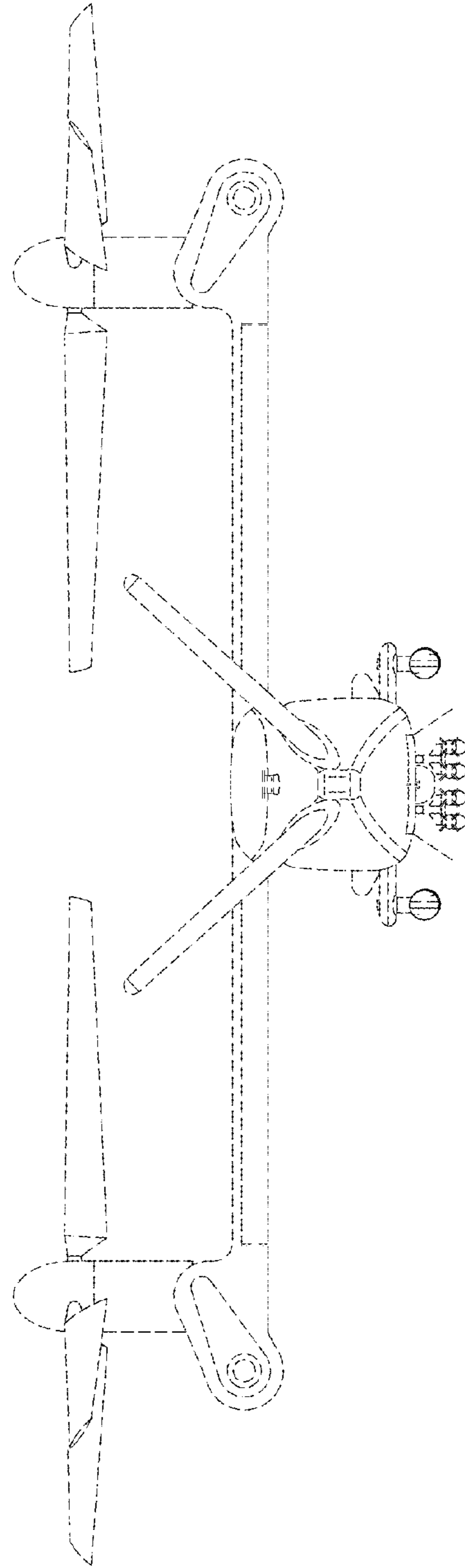


FIG. 3

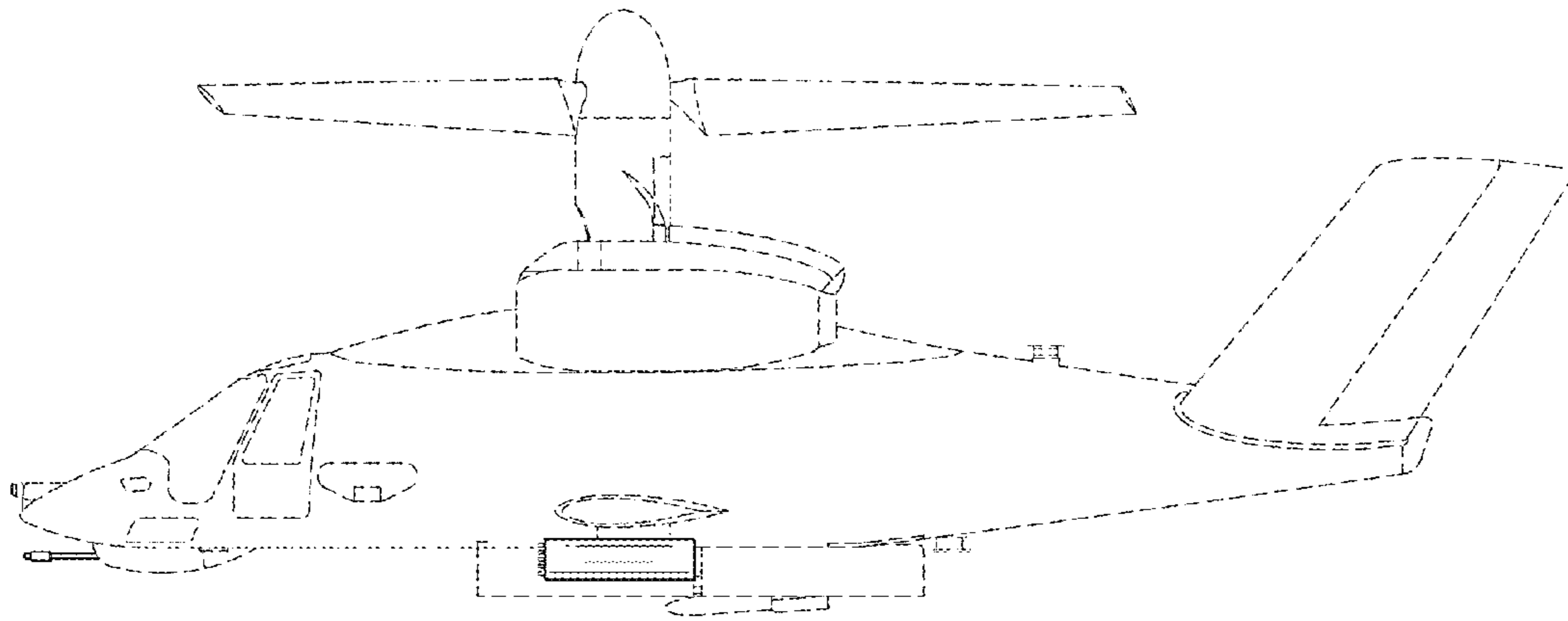


FIG. 4

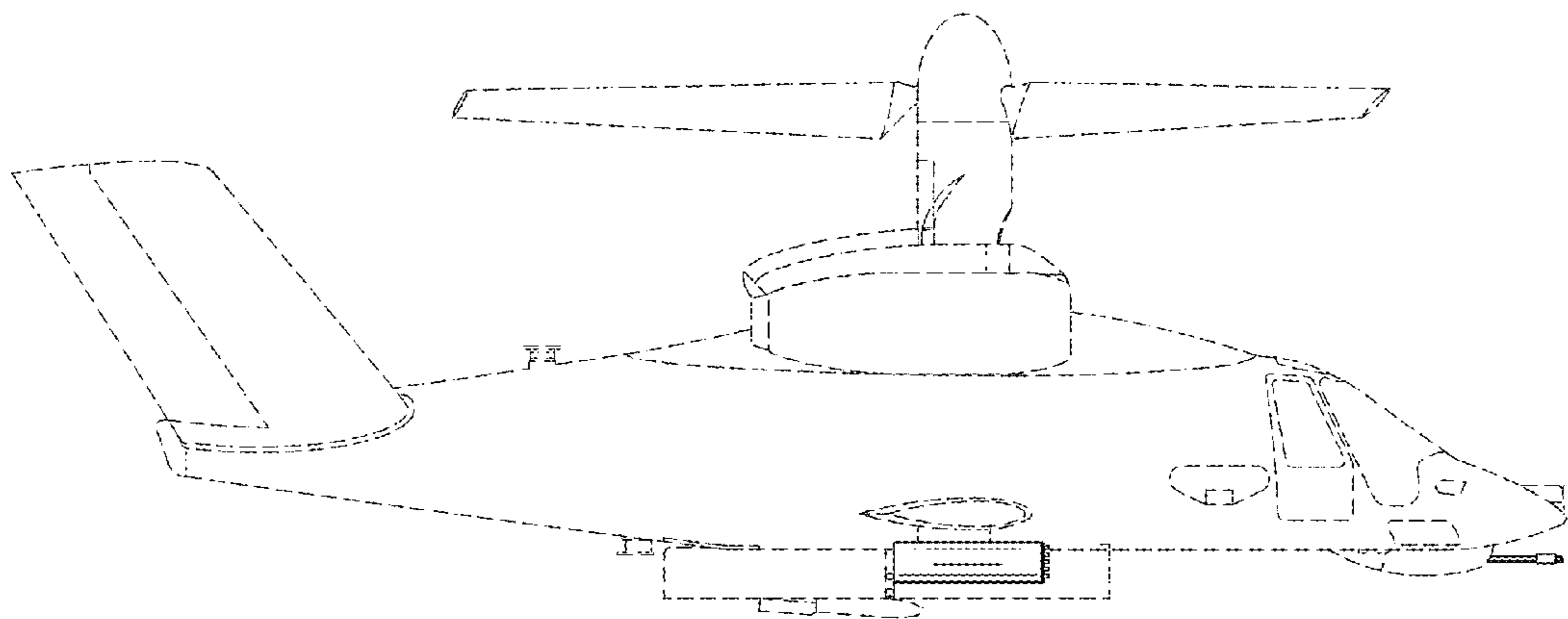


FIG. 5

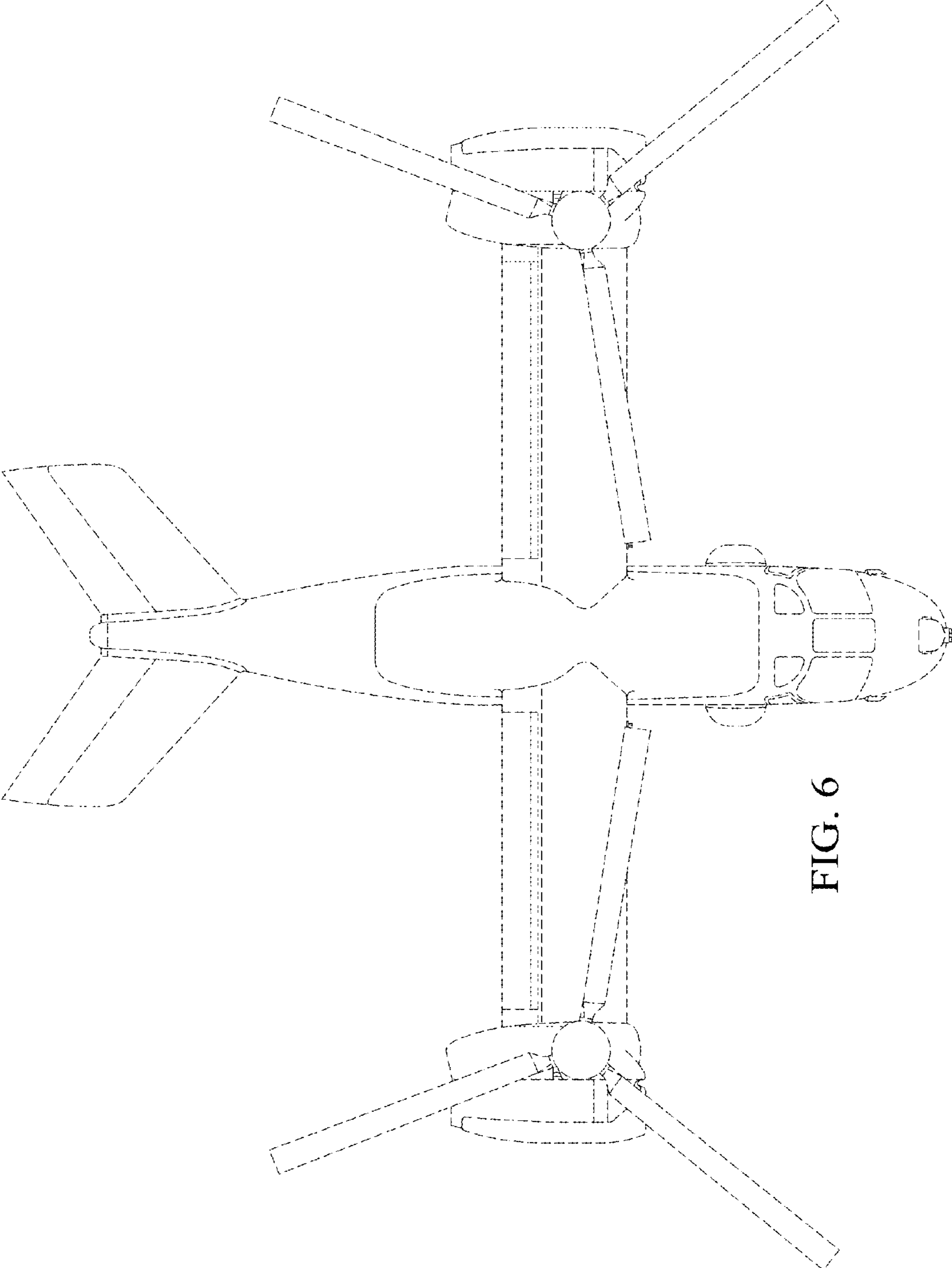


FIG. 6

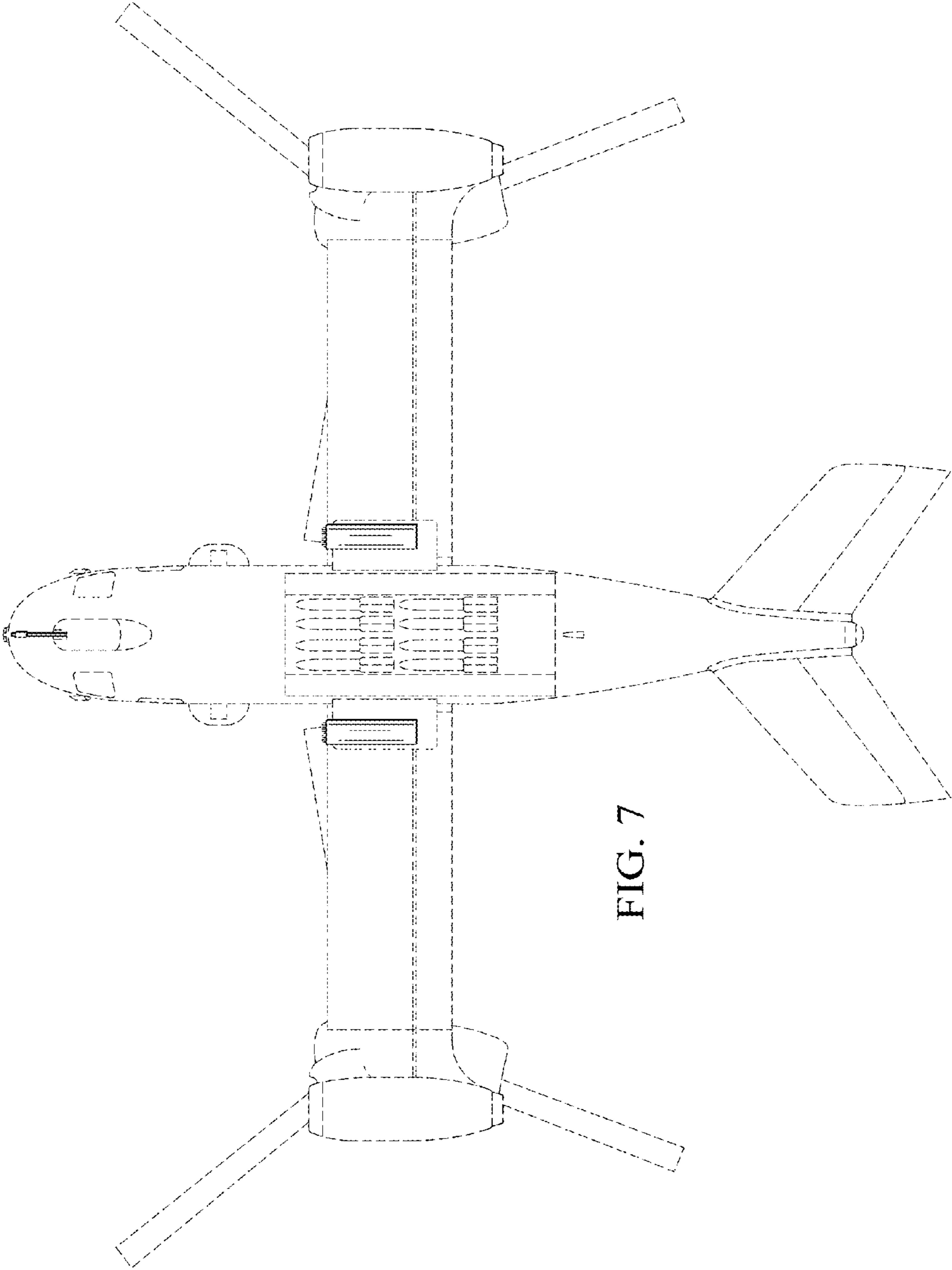


FIG. 7

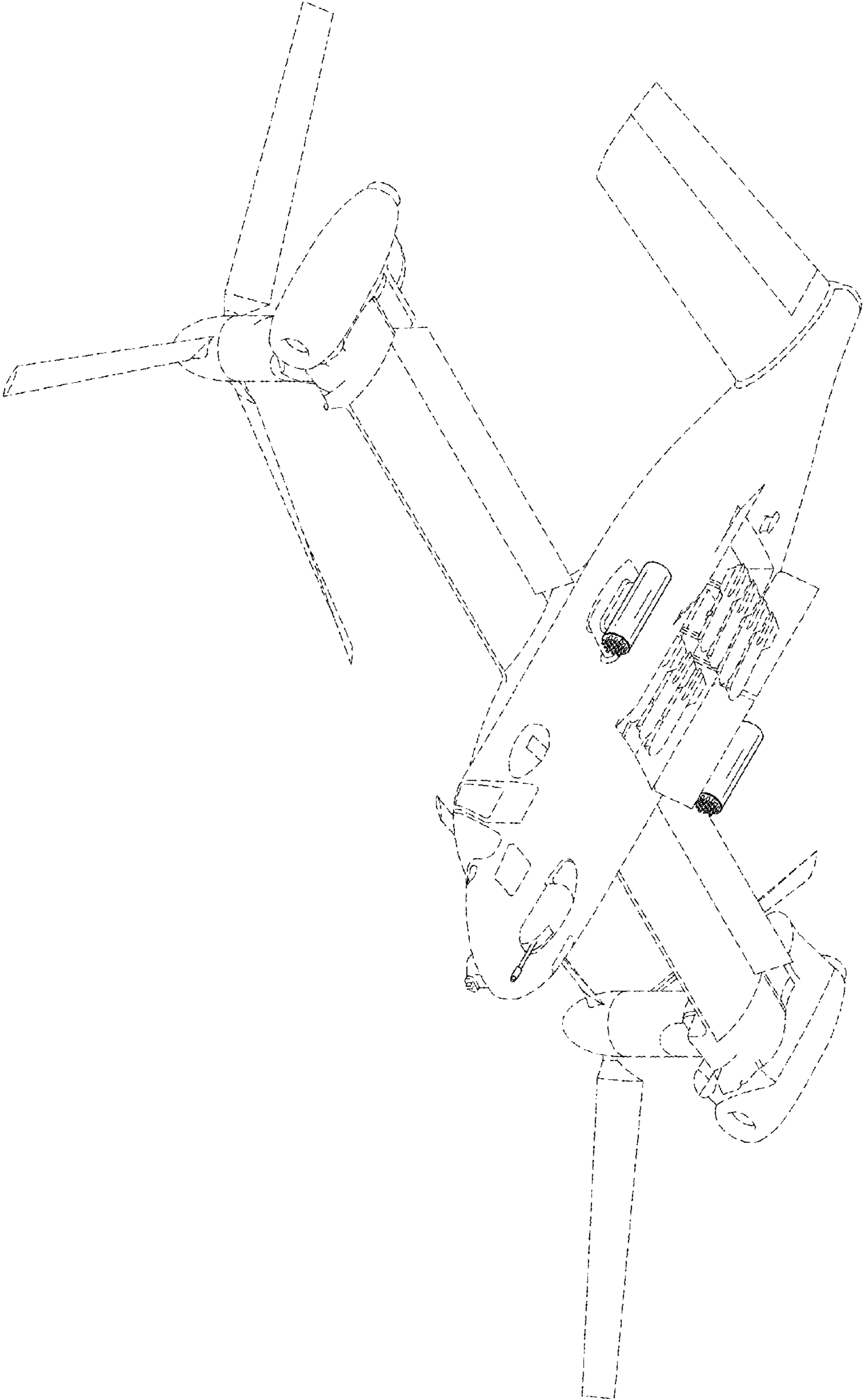


FIG. 8