



US00D743314S

(12) **United States Design Patent**  
**Thole et al.**

(10) **Patent No.:** **US D743,314 S**

(45) **Date of Patent:** **\*\* Nov. 17, 2015**

(54) **VEHICLE DECKLID**

(71) Applicant: **GM GLOBAL TECHNOLOGY OPERATIONS LLC**, Detroit, MI (US)

(72) Inventors: **Louis D. Thole**, Grosse Pointe Park, MI (US); **Marc A. Mainville**, Grosse Pointe Woods, MI (US)

(73) Assignee: **GM Global Technology Operations LLC**, Detroit, MI (US)

(\*\*) Term: **14 Years**

(21) Appl. No.: **29/500,891**

(22) Filed: **Aug. 29, 2014**

(51) **LOC (10) Cl.** ..... **12-16**

(52) **U.S. Cl.**  
USPC ..... **D12/196**

(58) **Field of Classification Search**  
USPC ..... D12/169, 216, 90-92, 86, 171, 196,  
D12/163; 293/102, 113, 115, 117, 120;  
296/180.1, 180.2  
CPC ..... B62D 25/08; B60R 19/02; B60R 19/03;  
B60R 19/04

See application file for complete search history.

(56) **References Cited**

U.S. PATENT DOCUMENTS

D684,515 S \* 6/2013 Oliver ..... D12/196  
D718,189 S \* 11/2014 Krieg et al. .... D12/92  
D721,024 S \* 1/2015 Thole et al. .... D12/196

\* cited by examiner

*Primary Examiner* — Melody N Brown

(74) *Attorney, Agent, or Firm* — Lionel D. Anderson;  
Reising Ethington P.C.

(57) **CLAIM**

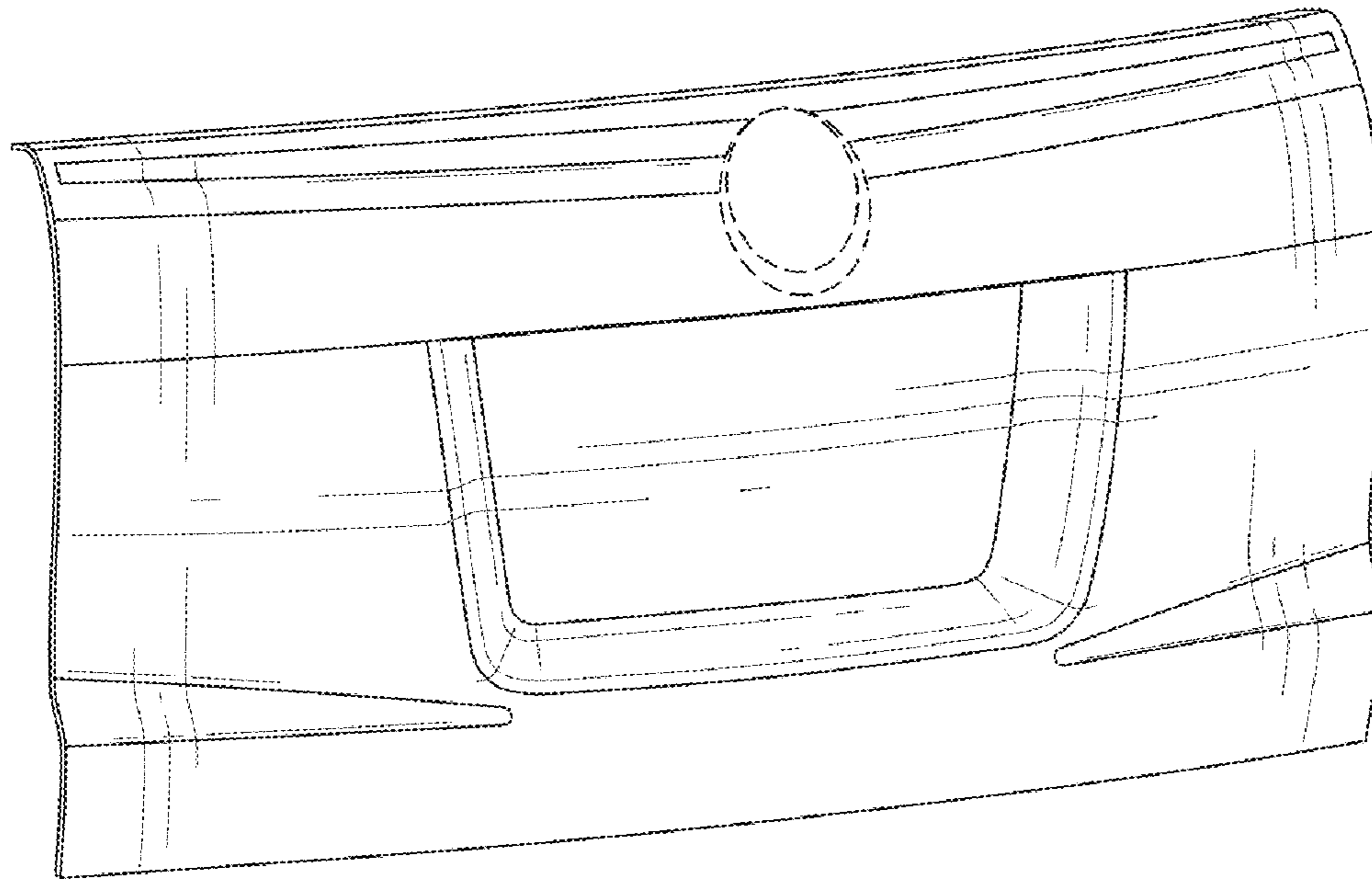
The ornamental design for a vehicle decklid, as shown and described.

**DESCRIPTION**

FIG. 1 is a front perspective view thereof;  
FIG. 2 is a left side elevation view thereof;  
FIG. 3 is a top plan view thereof; and,  
FIG. 4 is a front view thereof.

The right side elevation view of the vehicle decklid is omitted because the right side elevation view is identical to the left side elevation view. And the broken lines shown in the drawings depict portions of the vehicle decklid that form no part of the claimed design.

**1 Claim, 1 Drawing Sheet**



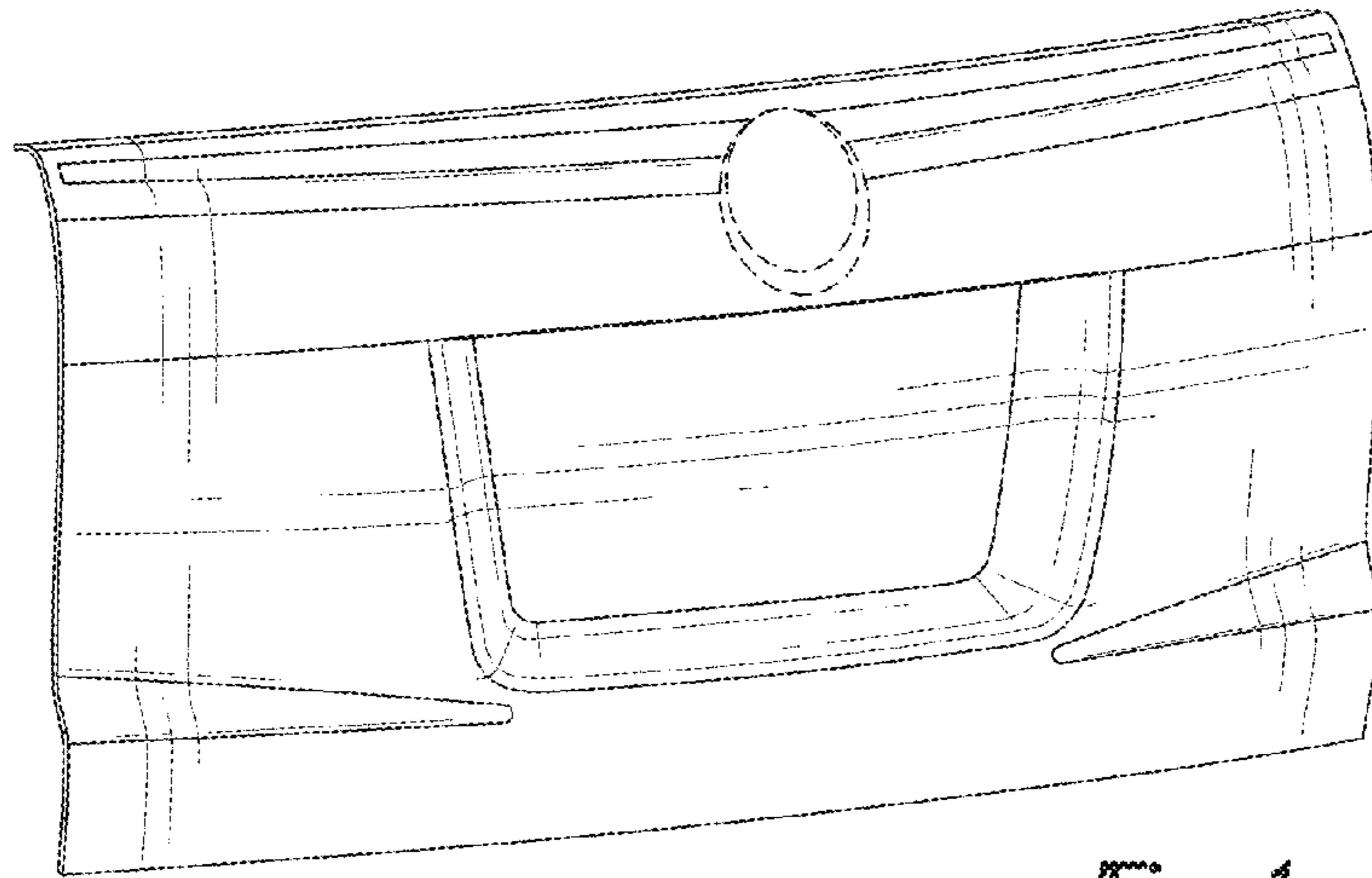


Fig-1

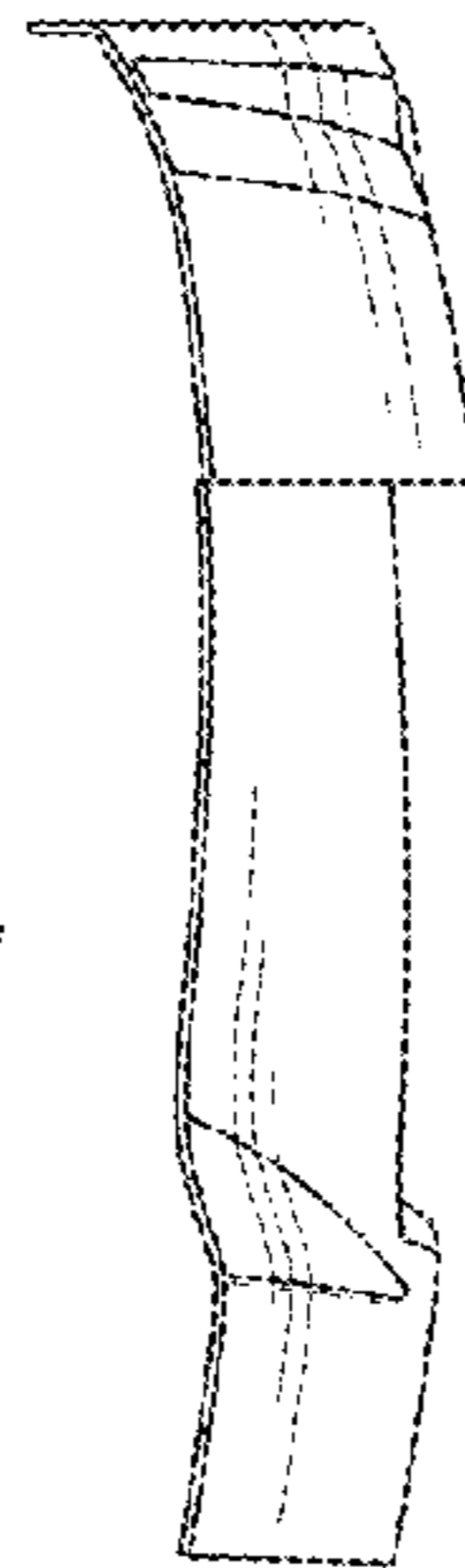


Fig-2

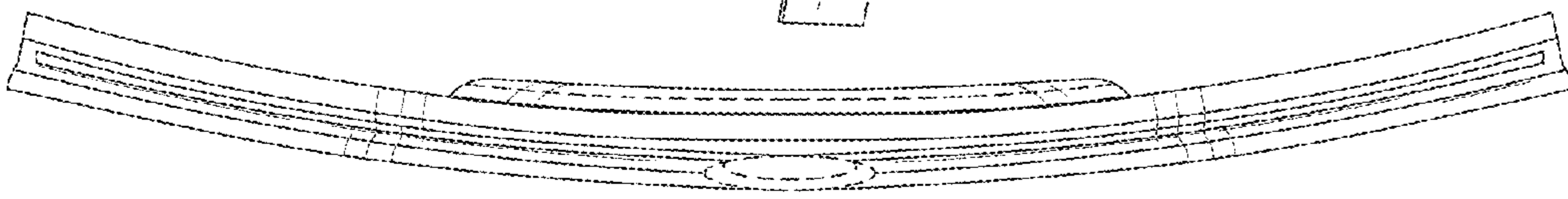


Fig-3

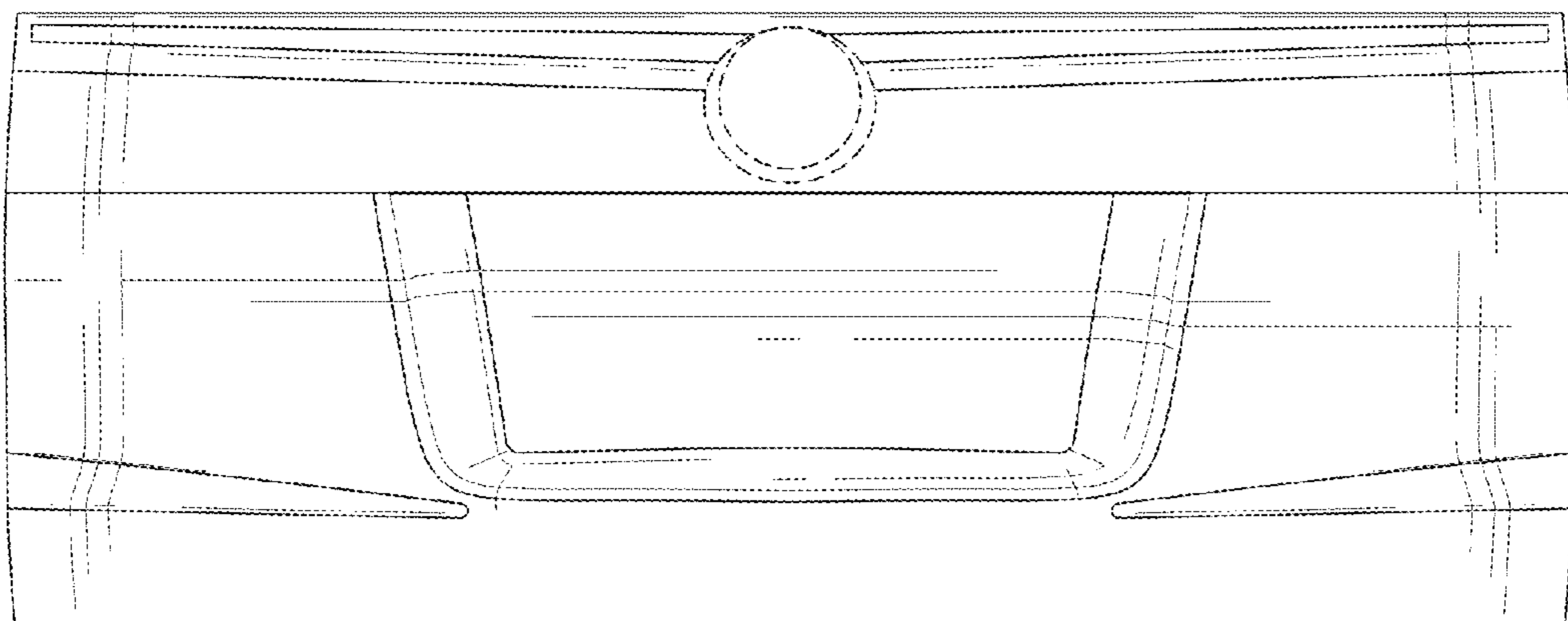


Fig-4