



US00D743311S

(12) **United States Design Patent**  
**Weiner et al.**

(10) **Patent No.:** **US D743,311 S**

(45) **Date of Patent:** **\*\* Nov. 17, 2015**

(54) **VEHICLE DOOR**

(71) Applicant: **Domino's IP Holder LLC**, Ann Arbor, MI (US)

(72) Inventors: **Russell Weiner**, Ann Arbor, MI (US);  
**Daniel R. Louiselle**, Milford, MI (US);  
**Richard H. Trotter**, Trenton, MI (US);  
**Jerold E. Garland**, Romulus, MI (US);  
**Thomas C. Bochenek**, Clinton Township, MI (US)

(73) Assignee: **Domino's IP Holder LLC**, Ann Arbor, MI (US)

(\*\*) Term: **14 Years**

(21) Appl. No.: **29/492,378**

(22) Filed: **May 30, 2014**

(51) **LOC (10) Cl.** ..... **12-08**

(52) **U.S. Cl.**  
USPC ..... **D12/195**

(58) **Field of Classification Search**  
USPC ..... D12/195, 193, 414, 190, 196; D15/17,  
D15/28; D10/46, 98, 102-103; D8/302-303  
See application file for complete search history.

(56) **References Cited**

U.S. PATENT DOCUMENTS

5,378,036	A	1/1995	Townsend
5,524,960	A	6/1996	Townsend
5,918,926	A	7/1999	Townsend
5,921,611	A	7/1999	Townsend
7,578,540	B2	8/2009	Houtveen
7,744,035	B2	6/2010	Saint-Jalmes et al.
7,857,402	B2	12/2010	Anikhindi et al.
7,871,138	B2	1/2011	Anikhindi et al.
8,033,055	B2	10/2011	Oberheide et al.

8,132,846	B2	3/2012	Kitayama et al.
8,308,221	B2	11/2012	Kitayama
8,328,270	B2	12/2012	Kitayama
D687,739	S	8/2013	Roura et al.
D688,978	S	9/2013	Badstuebner
D698,697	S	2/2014	Winkelmann et al.
D711,783	S	8/2014	Badstuebner
D712,327	S *	9/2014	Tanaka et al. .... D12/195
D712,813	S *	9/2014	Tanaka et al. .... D12/195
D714,190	S	9/2014	Kim
D714,700	S *	10/2014	Yamamoto ..... D12/195
D715,204	S *	10/2014	Peltola et al. .... D12/195

(Continued)

OTHER PUBLICATIONS

U.S. Design Application and Drawings for U.S. Appl. No. 29/492,377, entitled "Vehicle", filed May 30, 2014, 6 pages.

(Continued)

*Primary Examiner* — Katrina A Betton

(74) *Attorney, Agent, or Firm* — Brooks Kushman P.C.

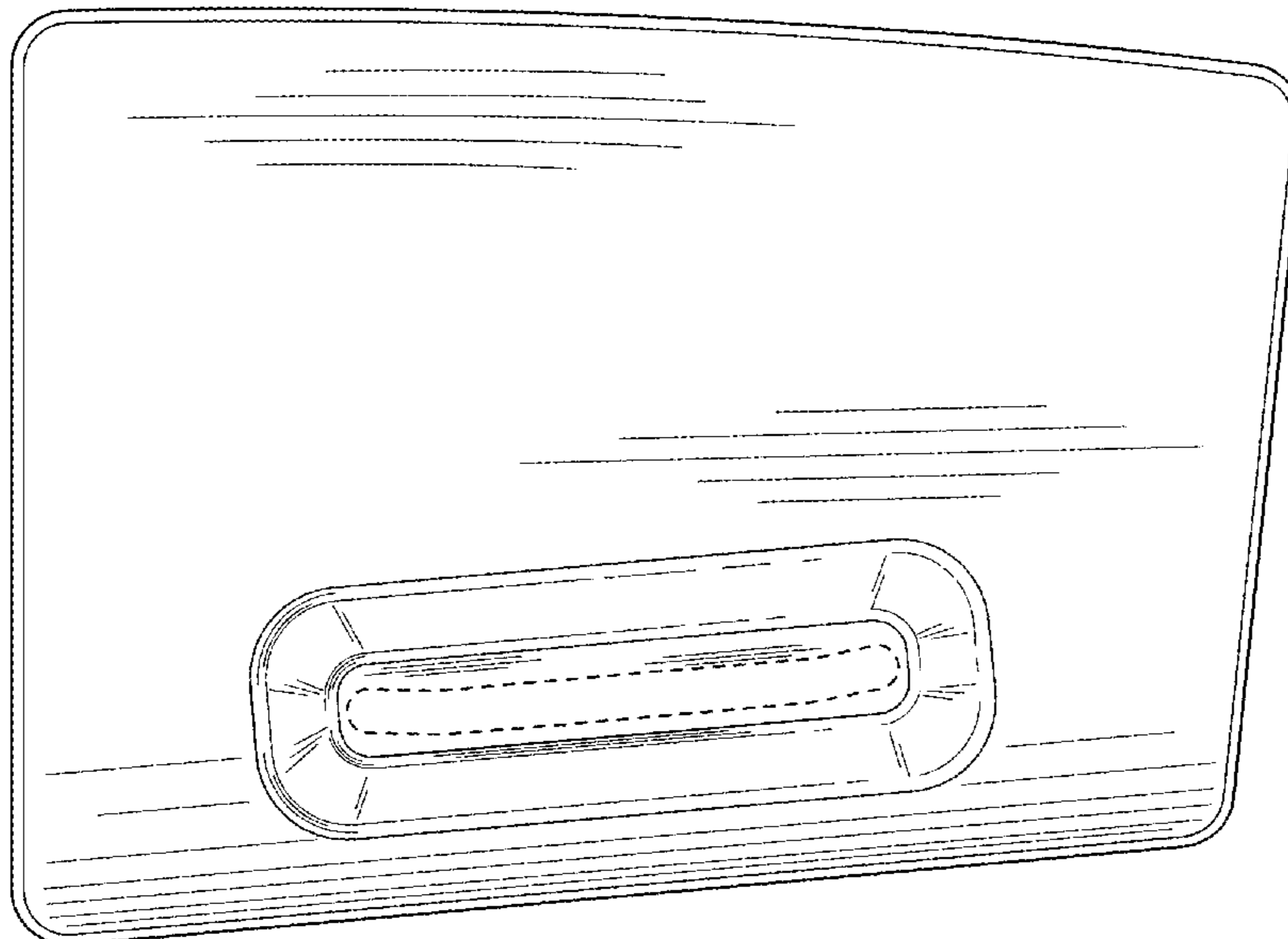
(57) **CLAIM**

The ornamental design for a vehicle door, as shown and described.

**DESCRIPTION**

FIG. 1 is a perspective view of a vehicle door according to an embodiment, illustrated in cooperation with a vehicle body; FIG. 2 is a front side view of the vehicle door of FIG. 1; FIG. 3 is a left side view of the vehicle door of FIG. 1; FIG. 4 is a right side view of the vehicle door of FIG. 1; FIG. 5 is a top view of the vehicle door of FIG. 1; FIG. 6 is a bottom view of the vehicle door of FIG. 1; and, FIG. 7 is a rear view of the vehicle door of FIG. 1. The broken lines are for illustrative purposes only and form no part of the claimed design.

**1 Claim, 5 Drawing Sheets**



(56)

**References Cited**

U.S. PATENT DOCUMENTS

D716,210 S \* 10/2014 Ishikawa et al. .... D12/195  
D716,710 S \* 11/2014 Setina ..... D12/195  
D719,875 S 12/2014 Jang  
D719,884 S \* 12/2014 Peltola et al. .... D12/195  
D720,267 S \* 12/2014 Norman et al. .... D12/195  
D721,023 S \* 1/2015 Wiedeman et al. .... D12/195  
D722,933 S \* 2/2015 Ishikawa et al. .... D12/195  
D726,082 S \* 4/2015 Finney et al. .... D12/195  
2005/0052045 A1 3/2005 Juzwiak

OTHER PUBLICATIONS

U.S. Application and Drawings for U.S. Appl. No. 14/291,938,  
entitled "Vehicle With Upwardly Movable Door", filed May 30,  
2014, 18 pages.  
<http://www.chevrolet.com/2013-spark-mini-car/exterior-pictures.html>,  
"2013 Chevy Spark Exterior Photos", Jun. 9, 2014, 20 pages.

\* cited by examiner

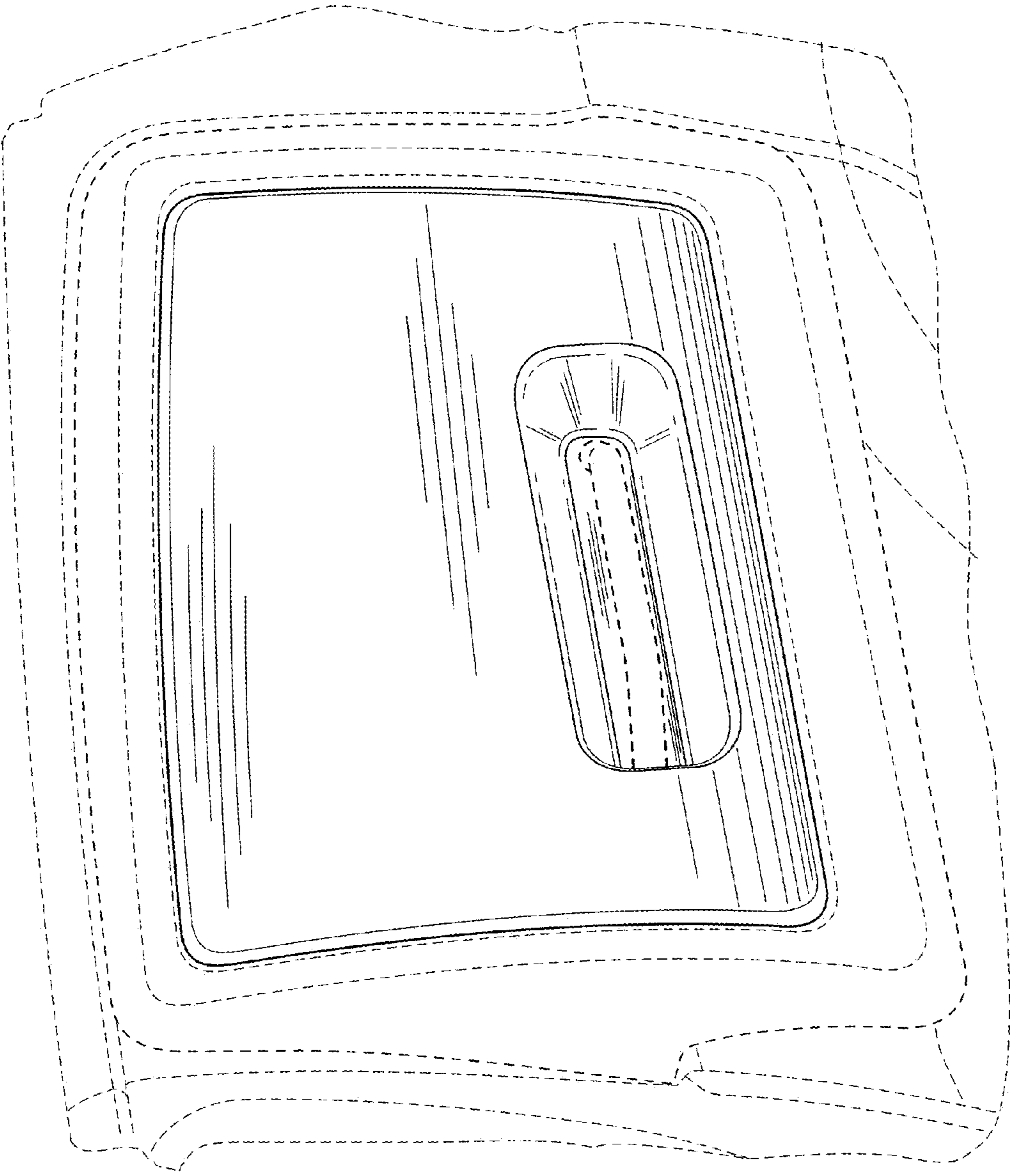


FIG. 1

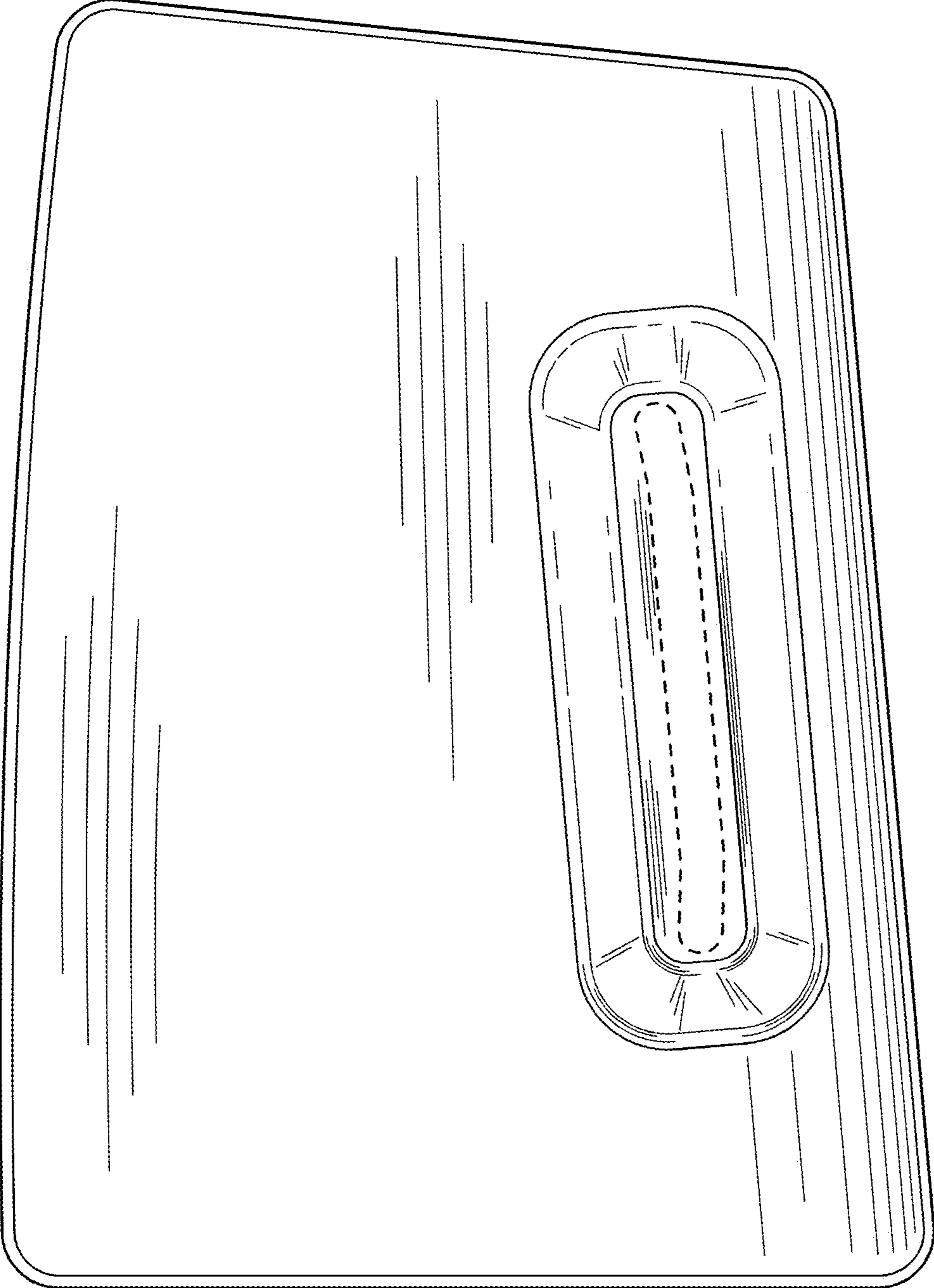


FIG. 2

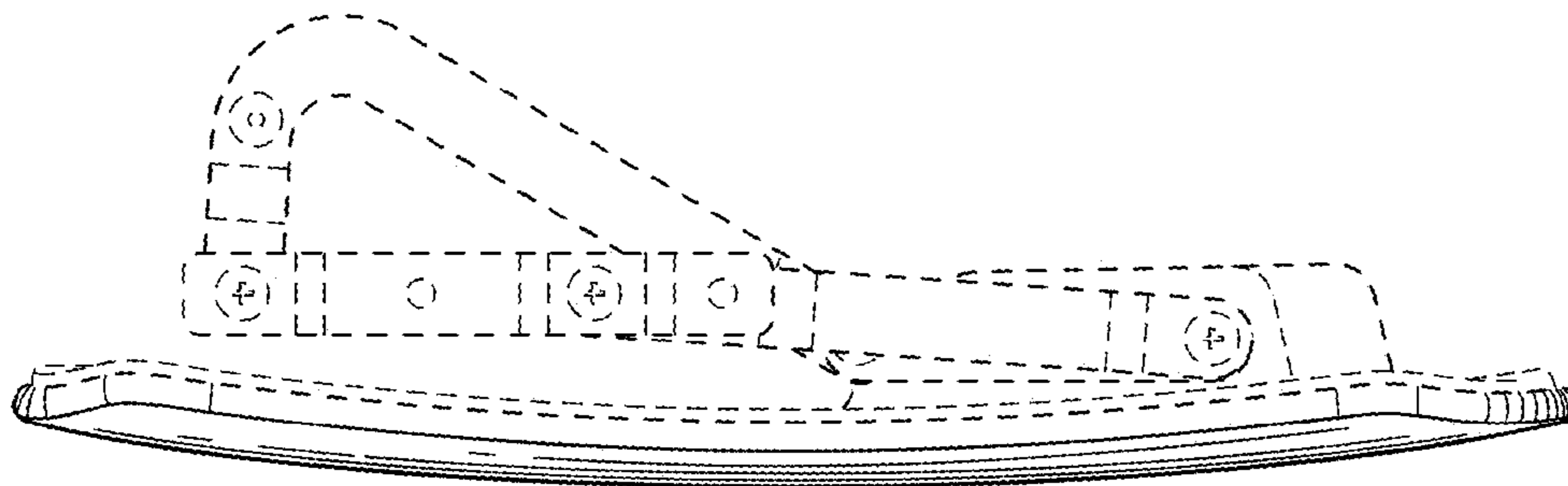


FIG. 4

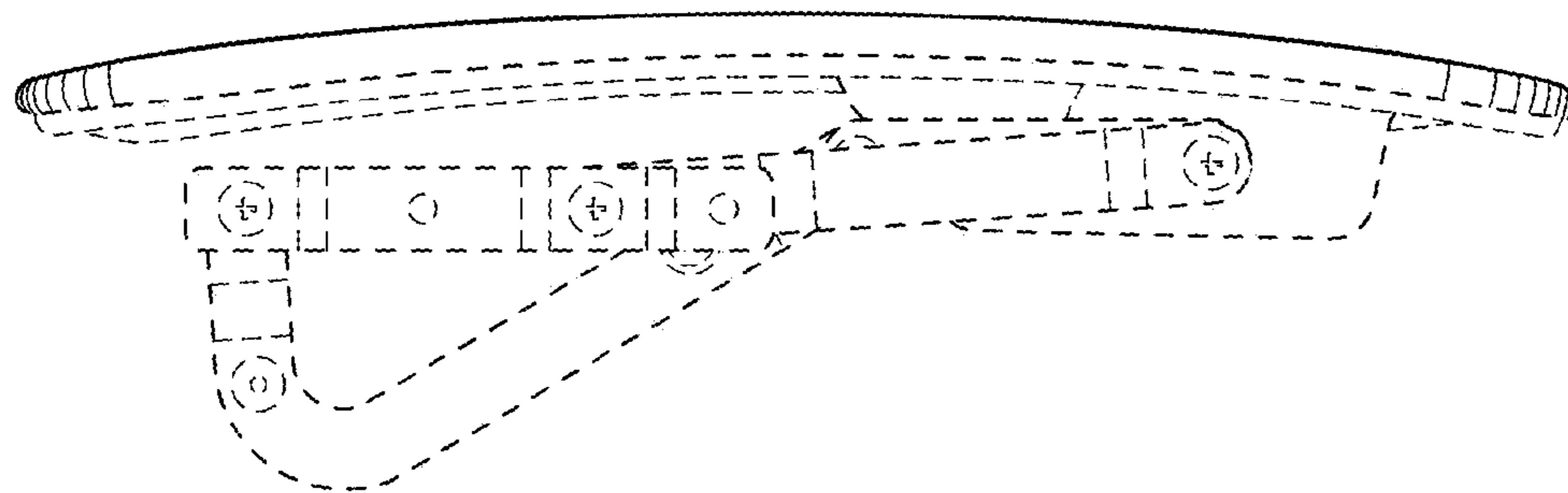


FIG. 3



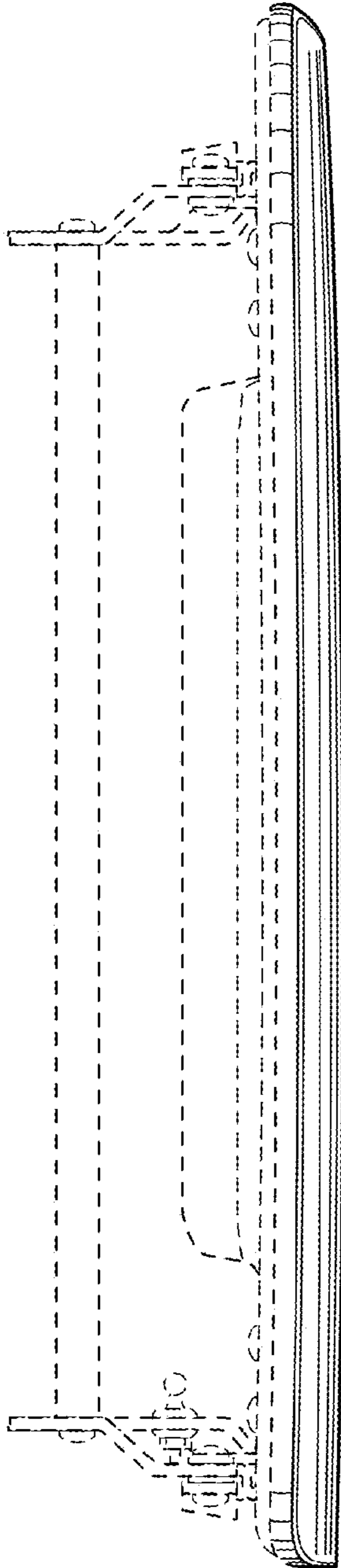


FIG. 5

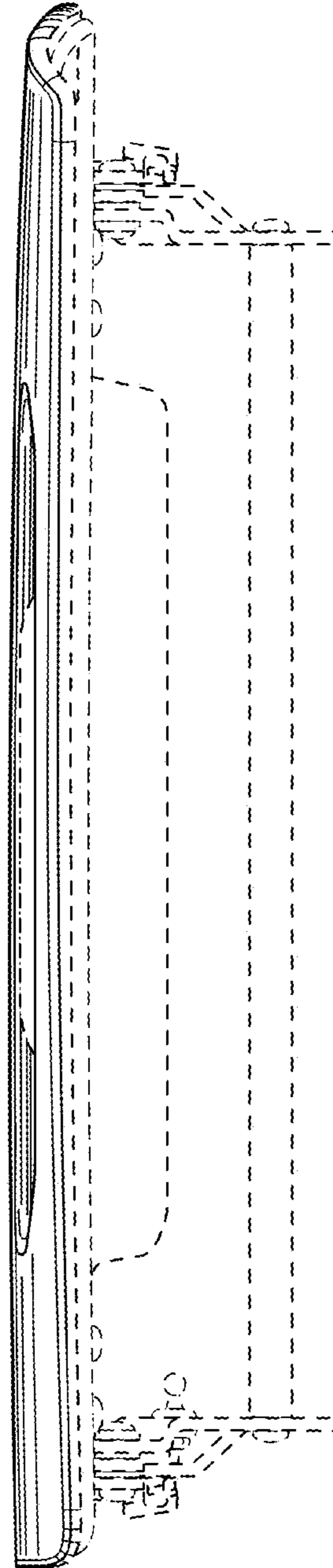


FIG. 6

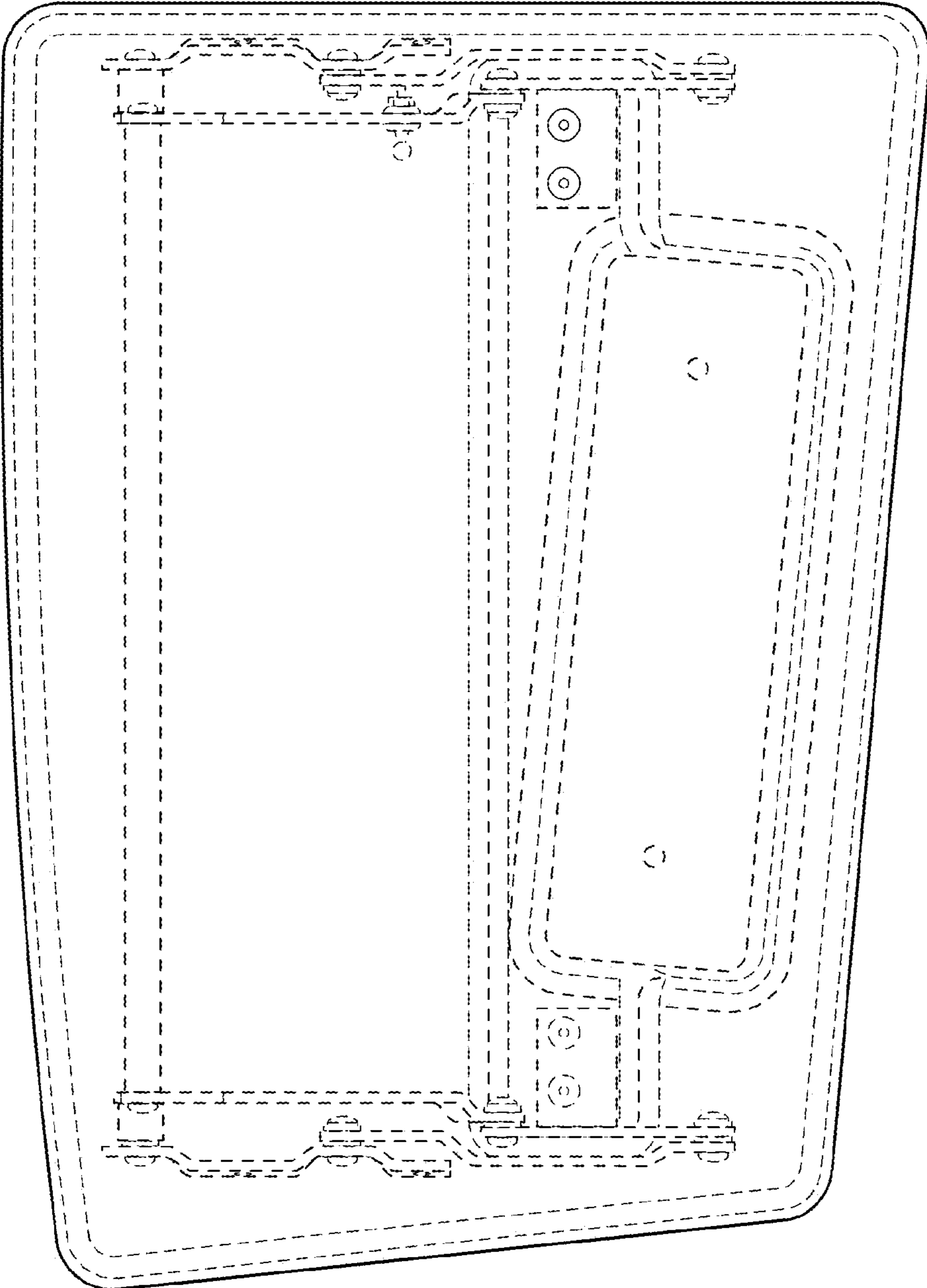


FIG. 7