



US00D743310S

(12) **United States Design Patent**
Beaven

(10) **Patent No.:** **US D743,310 S**

(45) **Date of Patent:** **** Nov. 17, 2015**

(54) **ROOF TRIM**

(71) Applicant: **Matthew Beaven**, Coventry (GB)

(72) Inventor: **Matthew Beaven**, Coventry (GB)

(73) Assignee: **Jaguar Land Rover Limited** (GB)

(**) Term: **14 Years**

(21) Appl. No.: **29/483,826**

(22) Filed: **Mar. 3, 2014**

(30) **Foreign Application Priority Data**

Sep. 2, 2013 (EM) 002301242
Sep. 6, 2013 (EM) 002304477

(51) **LOC (10) Cl.** **12-08**

(52) **U.S. Cl.**
USPC **D12/190**

(58) **Field of Classification Search**
USPC D12/190, 192, 400, 90, 91, 92, 199,
D12/197, 86, 171, 169, 163, 110, 114;
D11/211, 81, 157, 133, 172; D20/11,
D20/23, 24, 25, 30, 31, 32; 293/102, 115;
40/413, 591, 592; 428/31
See application file for complete search history.

(56) **References Cited**

U.S. PATENT DOCUMENTS

2,711,345 A * 6/1955 Daniels 296/214

D488,415 S * 4/2004 Gough D12/190
D550,145 S * 9/2007 Fisker et al. D12/401
D586,721 S * 2/2009 Hildebrand et al. D12/401
D639,229 S * 6/2011 van Voorst tot Voorst ... D12/401
D678,173 S * 3/2013 McIntire D12/401
D690,256 S * 9/2013 Ewringmann D12/401

* cited by examiner

Primary Examiner — Katrina A Betton

(74) *Attorney, Agent, or Firm* — Fishman Stewart Yamaguchi PLLC

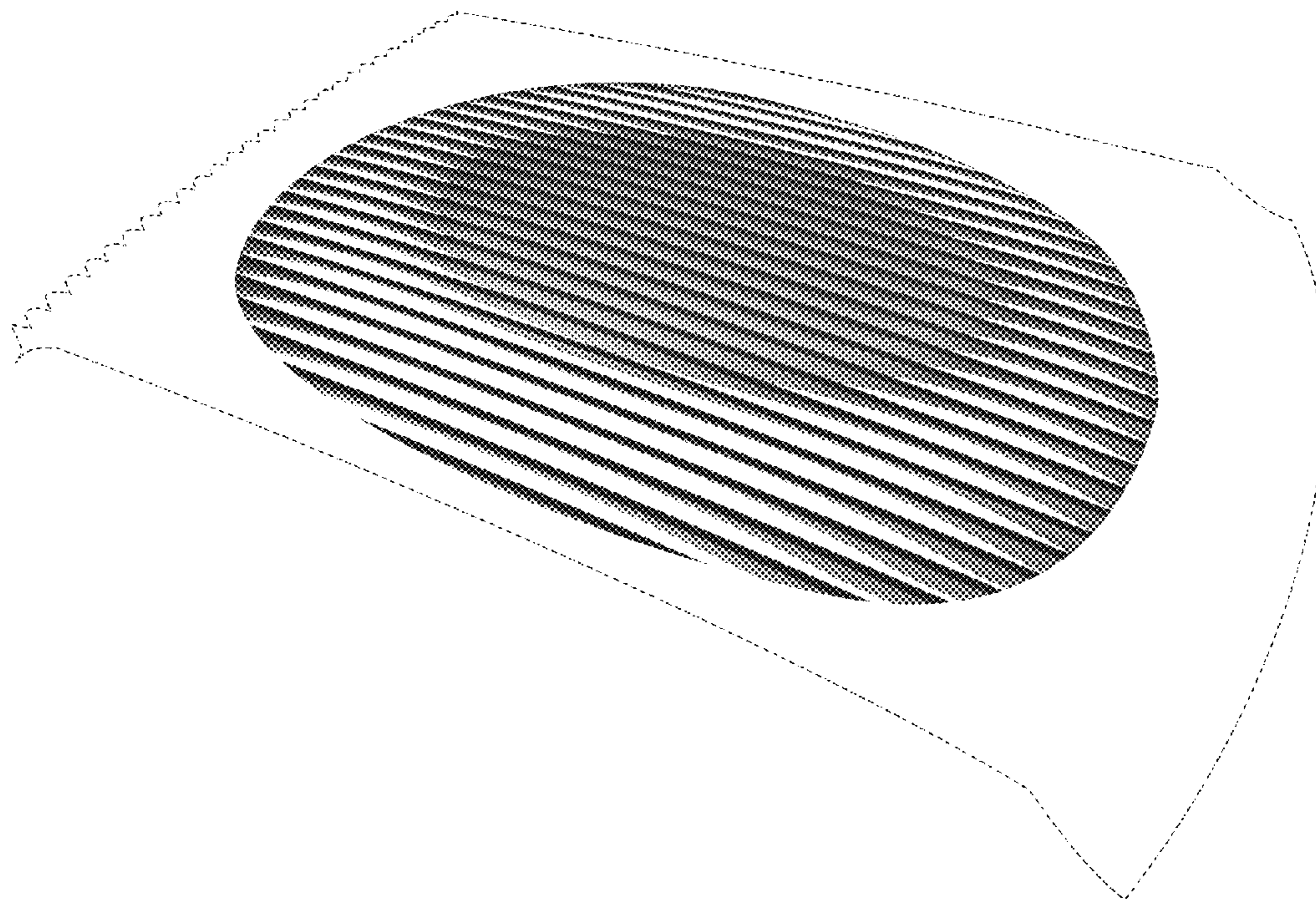
(57) **CLAIM**

The ornamental design for a roof trim, as shown and described.

DESCRIPTION

FIG. 1 is a top perspective view of a roof trim;
FIG. 2 is a bottom perspective view of a roof trim;
FIG. 3 is a bottom rear view of a roof trim;
FIG. 4 is a supplemental bottom perspective view of a roof trim;
FIG. 5 is a supplemental bottom perspective view of a roof trim;
FIG. 6 is a top view of a roof trim; and,
FIG. 7 is a bottom view of a roof trim.
In the drawings, the broken lines depict portions of the article that form no part of the claimed design.

1 Claim, 7 Drawing Sheets



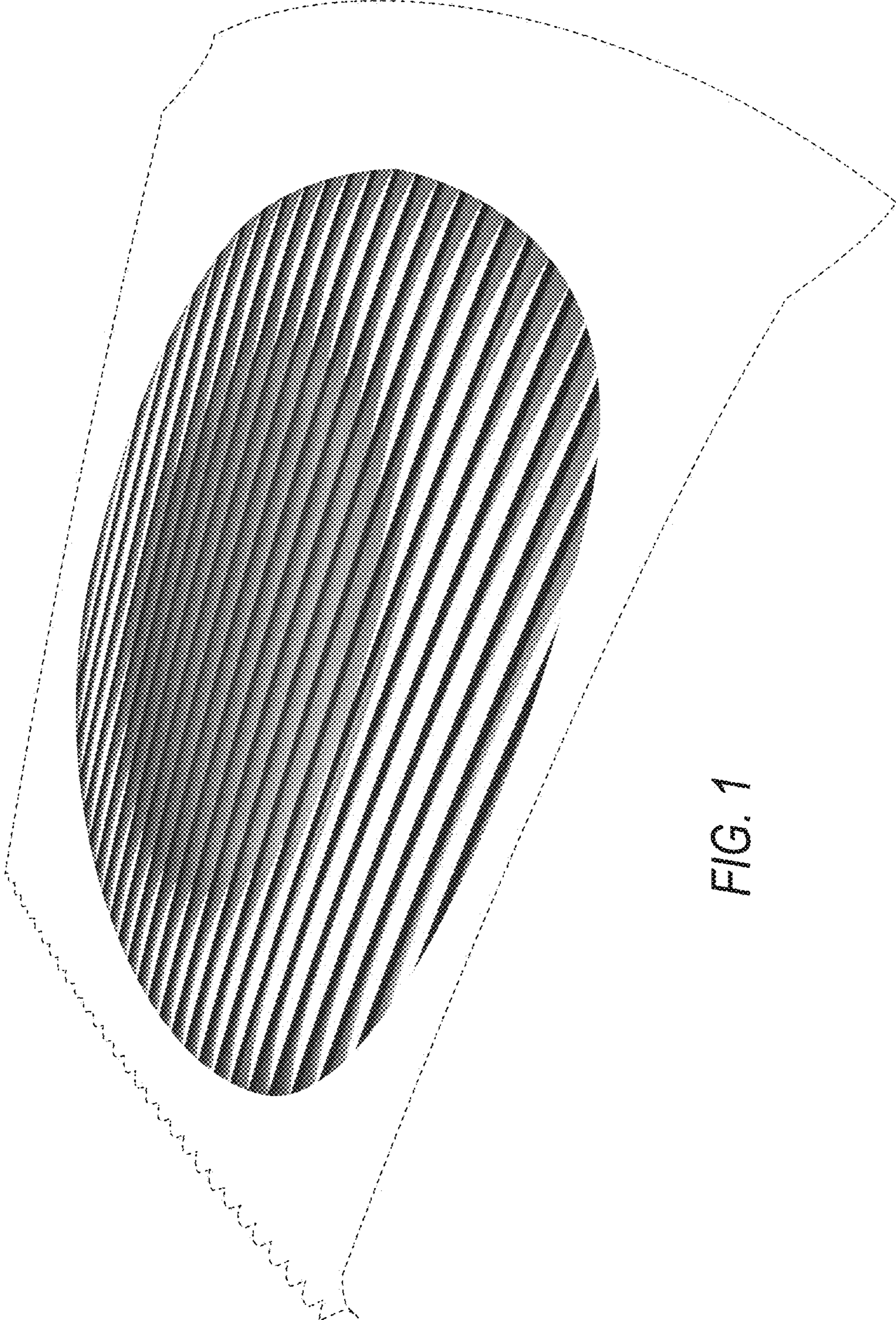


FIG. 1

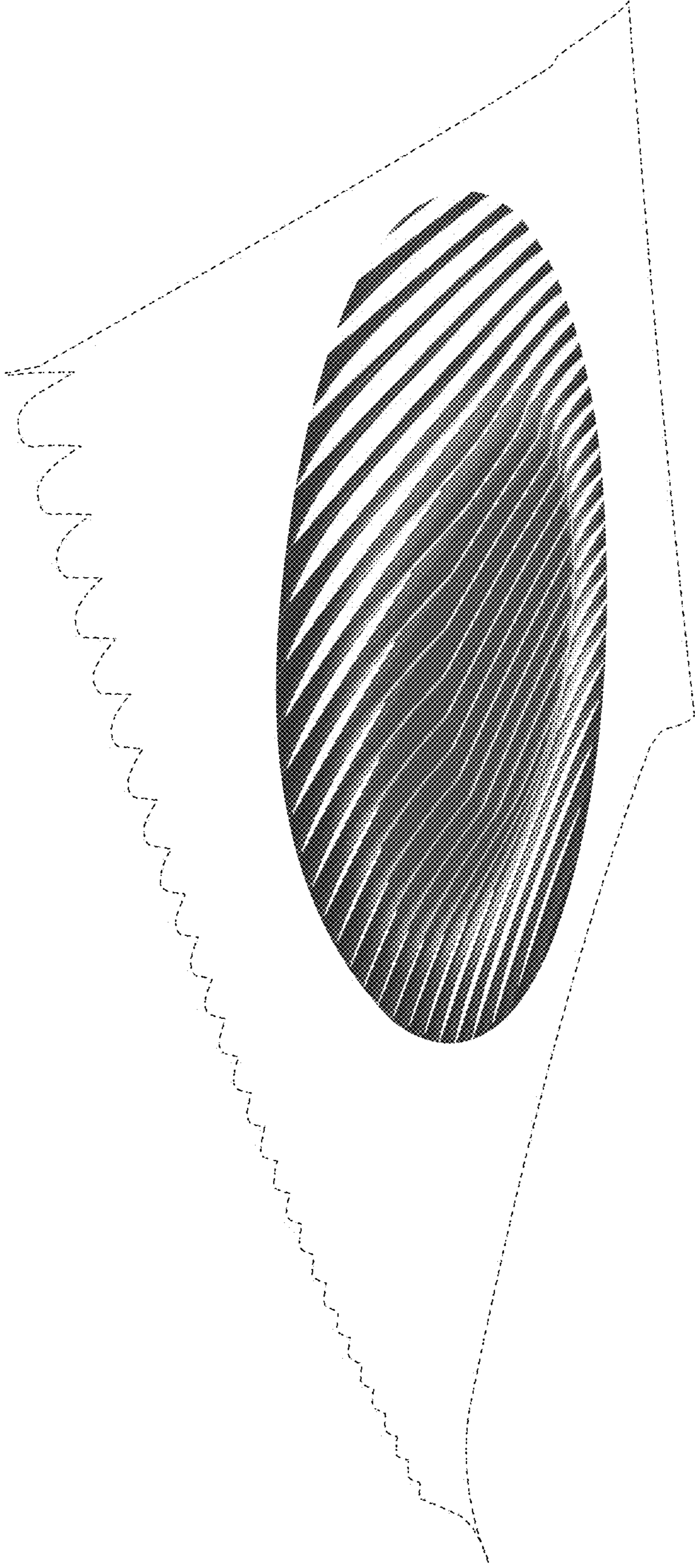


FIG. 2

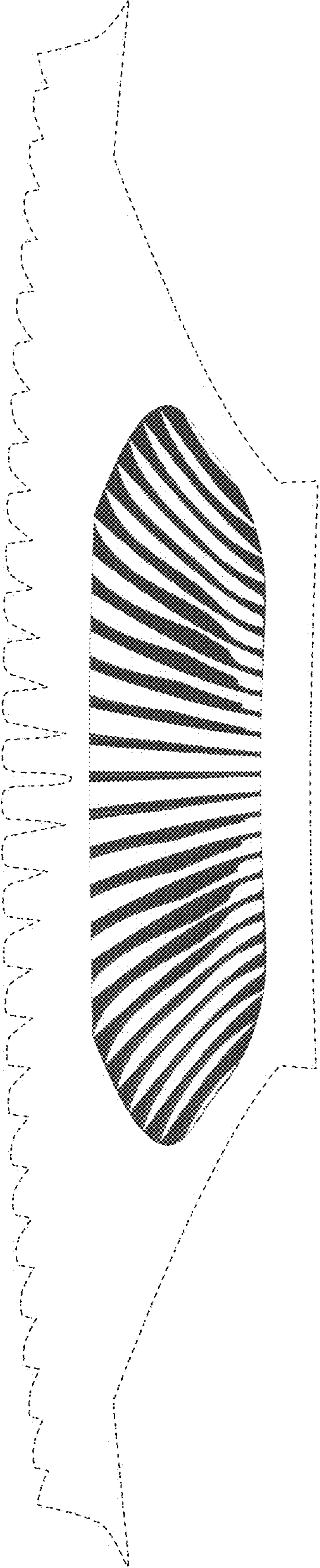


FIG. 3

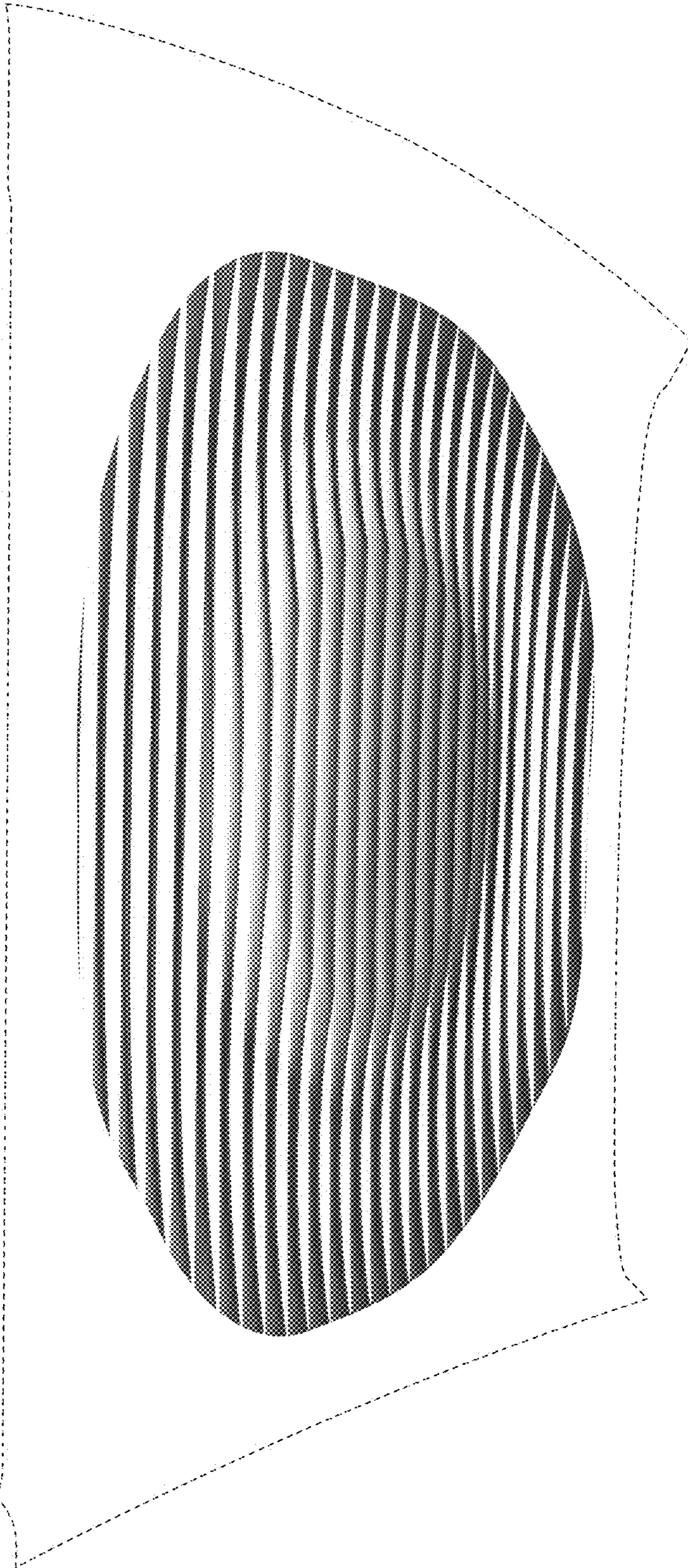


FIG. 4

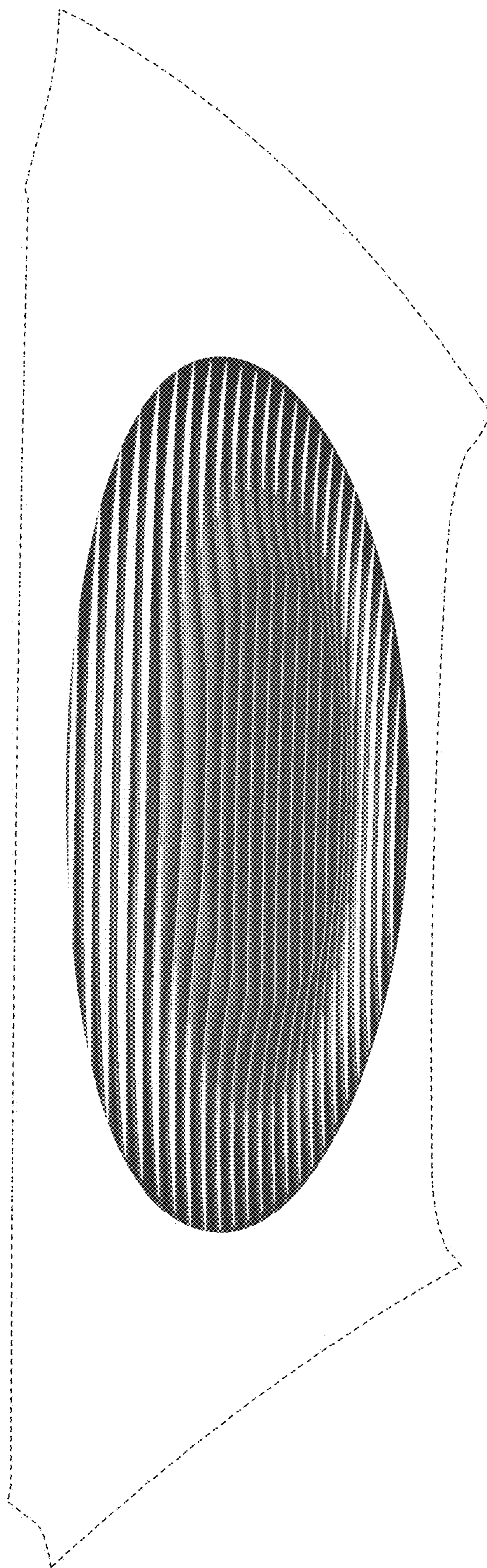


FIG. 5

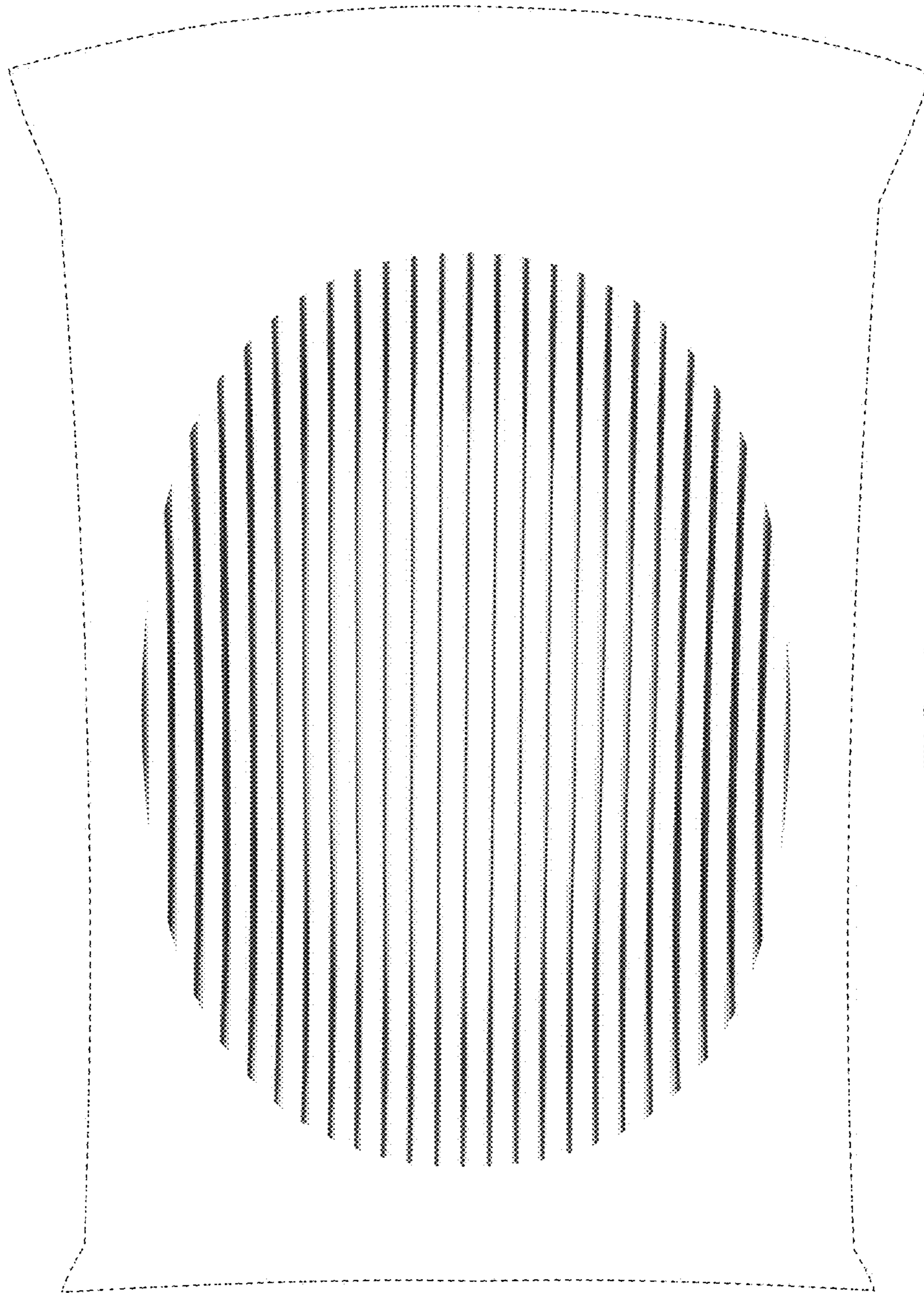


FIG. 6

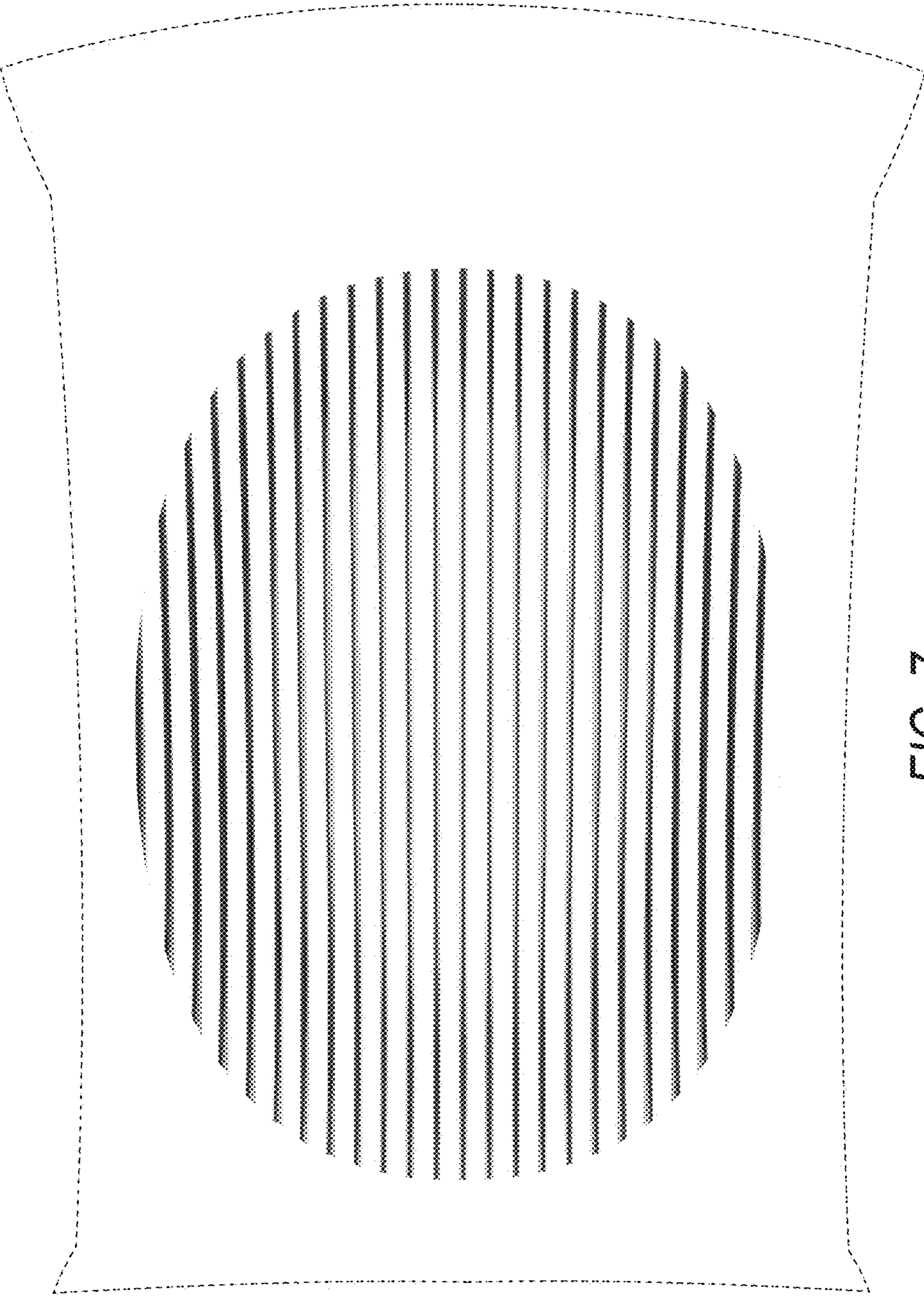


FIG. 7