



US00D743309S

(12) **United States Design Patent**
Thole et al.

(10) **Patent No.:** **US D743,309 S**
(45) **Date of Patent:** **** Nov. 17, 2015**

(54) **VEHICLE HOOD**

(71) Applicant: **GM GLOBAL TECHNOLOGY OPERATIONS LLC**, Detroit, MI (US)

(72) Inventors: **Louis D. Thole**, Grosse Pointe Park, MI (US); **Marc A. Mainville**, Grosse Pointe Woods, MI (US)

(73) Assignee: **GM Global Technology Operations LLC**, Detroit, MI (US)

(**) Term: **14 Years**

(21) Appl. No.: **29/500,886**

(22) Filed: **Aug. 29, 2014**

(51) **LOC (10) Cl.** **12-16**

(52) **U.S. Cl.**
USPC **D12/173**

(58) **Field of Classification Search**
USPC D12/173, 196, 86, 90-92, 181;
180/69.21, 69.2, 69.22
CPC B62D 25/10; B60Q 1/00
See application file for complete search history.

(56) **References Cited**

U.S. PATENT DOCUMENTS

D597,454 S * 8/2009 Wagner et al. D12/173
D609,615 S * 2/2010 Krugger et al. D12/173

D612,779 S * 3/2010 Elliott et al. D12/173
D655,227 S * 3/2012 Hanson et al. D12/173
D669,403 S * 10/2012 Gifford D12/173
D679,227 S * 4/2013 Schmeckpeper D12/173
D683,675 S * 6/2013 Munson et al. D12/173
8,636,396 B2 * 1/2014 Tanaka 362/496
D709,003 S * 7/2014 Jung D12/173
D709,004 S * 7/2014 Jung D12/173
D712,323 S * 9/2014 Mays et al. D12/173
D718,683 S * 12/2014 Thole et al. D12/173
D725,557 S * 3/2015 Wolff et al. D12/173

* cited by examiner

Primary Examiner — Melody Brown

(74) *Attorney, Agent, or Firm* — Lionel D. Anderson;
Reising Ethington P.C.

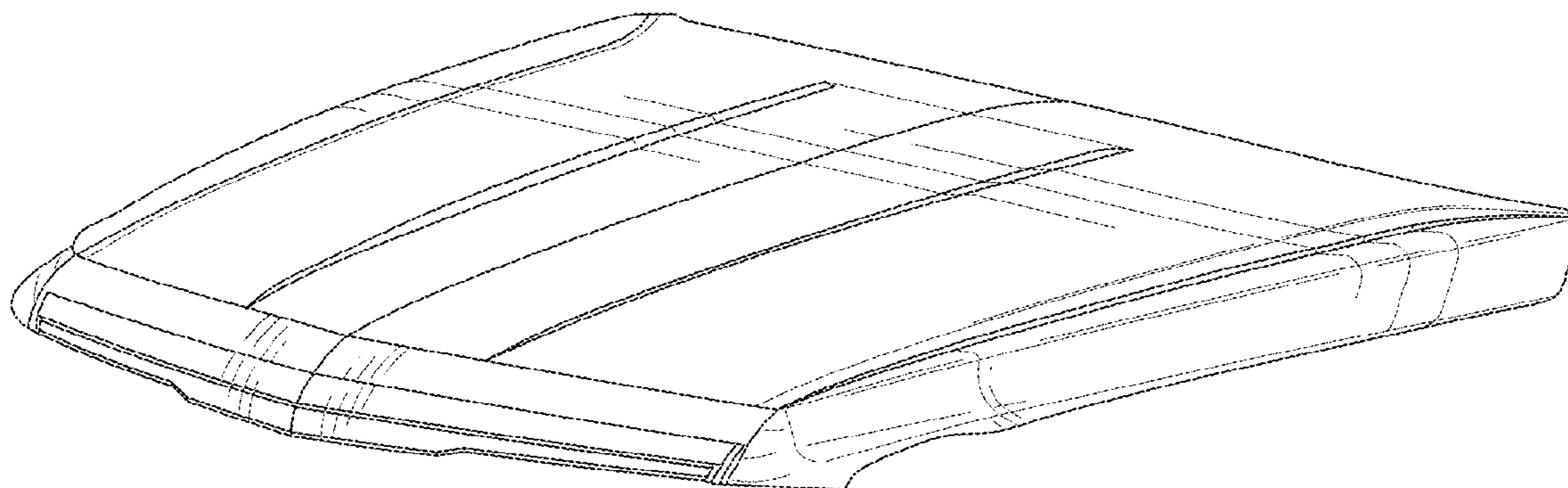
(57) **CLAIM**

The ornamental design for a vehicle hood, as shown and described.

DESCRIPTION

FIG. 1 is a front perspective view thereof;
FIG. 2 is a top plan view thereof;
FIG. 3 is a front view thereof; and,
FIG. 4 is a left side elevation view thereof.
The right side elevation view is omitted because the right side elevation view is identical to the left side elevation view.

1 Claim, 2 Drawing Sheets



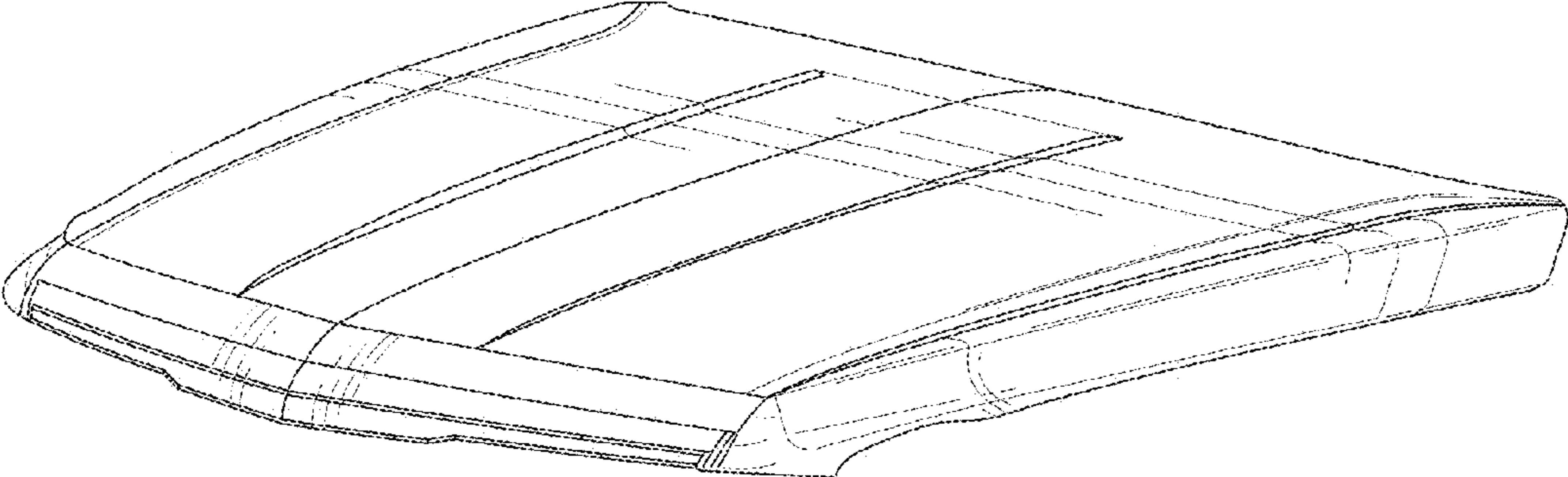


Fig-1

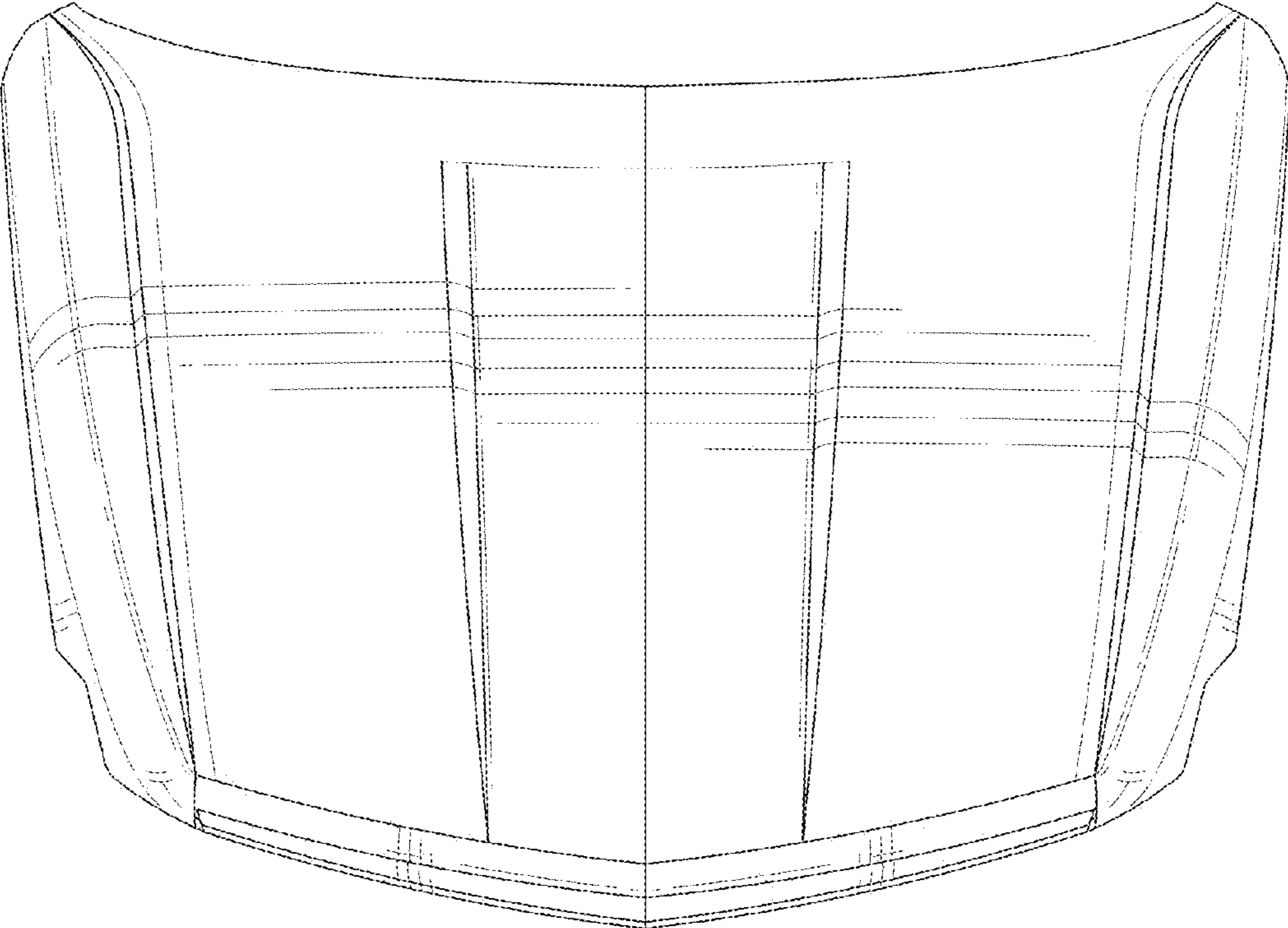


Fig-2

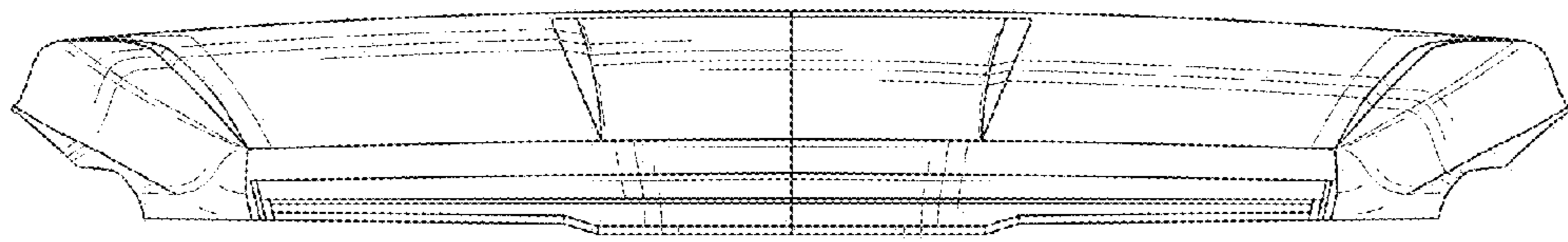


Fig-3

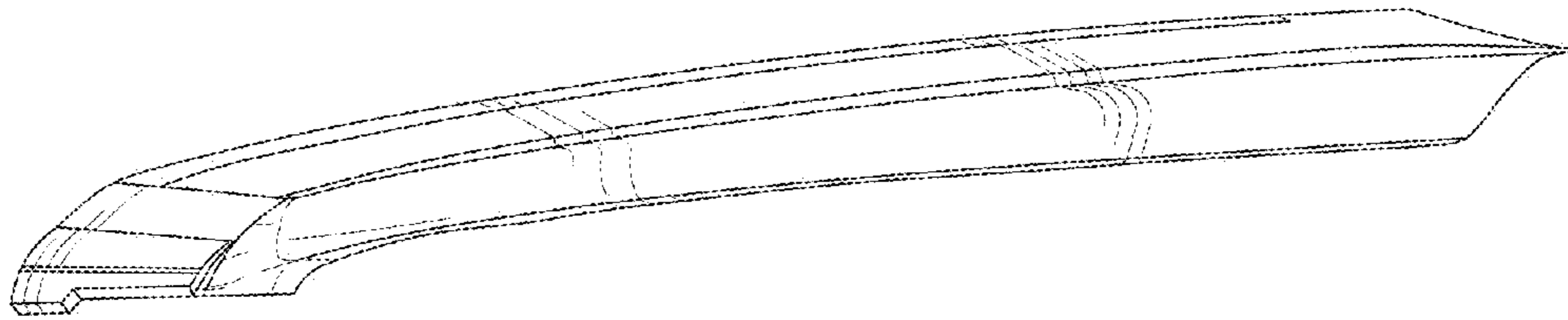


Fig-4