



US00D743307S

(12) **United States Design Patent**  
**Bale**

(10) **Patent No.:** **US D743,307 S**  
(45) **Date of Patent:** **\*\* Nov. 17, 2015**

(54) **LOCKBOX FOR A COUPLER OF A TRAILER**

(71) Applicant: **Bruce H. Bale**, Eugene, OR (US)

(72) Inventor: **Bruce H. Bale**, Eugene, OR (US)

(\*\*) Term: **14 Years**

(21) Appl. No.: **29/466,136**

(22) Filed: **Sep. 4, 2013**

5,775,139 A	7/1998	Sellers	
5,873,271 A	2/1999	Smith	
6,070,441 A	6/2000	Bernstrom	
6,406,052 B1	6/2002	Bale	
6,588,239 B1	7/2003	Johansson	
D480,338 S *	10/2003	Harwood	D12/162
D496,888 S *	10/2004	Johnson, Jr.	D12/162
7,107,799 B1	9/2006	Marley et al.	
D618,598 S *	6/2010	Edwards	D12/162

(Continued)

**Related U.S. Application Data**

(63) Continuation of application No. 13/742,544, filed on Jan. 16, 2013, now Pat. No. 8,556,288.

(51) **LOC (10) Cl.** ..... **12-16**

(52) **U.S. Cl.**  
USPC ..... **D12/162**

(58) **Field of Classification Search**  
USPC ..... D12/162, 159, 160, 161  
CPC ..... B60D 1/60; B60D 1/065; B60D 1/00  
See application file for complete search history.

(56) **References Cited**

**U.S. PATENT DOCUMENTS**

3,857,575 A	12/1974	Lee
4,032,171 A	6/1977	Allen et al.
4,141,569 A	2/1979	Dilk
4,373,303 A	2/1983	Stratichuk
4,459,832 A	7/1984	Avrea et al.
4,538,827 A	9/1985	Plifka
4,577,884 A	3/1986	Harris
4,730,841 A	3/1988	Ponder
4,756,172 A	7/1988	Weaver
4,774,823 A	10/1988	Callison
4,836,570 A	6/1989	Lopez et al.
5,087,064 A	2/1992	Guhlin
5,094,423 A	3/1992	Almquist et al.
5,195,339 A	3/1993	Nee et al.
5,351,511 A	10/1994	Bernier
5,584,495 A	12/1996	Mason
5,700,024 A	12/1997	Upchurch

**FOREIGN PATENT DOCUMENTS**

GB 2126549 A 3/1984

**OTHER PUBLICATIONS**

U.S. Appl. No. 13/742,544, filed Jan. 16, 2013, Bale.

*Primary Examiner* — Katrina A Betton

(74) *Attorney, Agent, or Firm* — David S. Alavi

(57) **CLAIM**

The ornamental design for a lockbox for a coupler of a trailer, as shown and described.

**DESCRIPTION**

FIG. 1 is a perspective view of a lockbox for a coupler of a trailer;

FIGS. 2-7 are top, left side, right side, bottom, front, and back views, respectively, of the lockbox.

FIG. 8 is an exploded perspective view of the lockbox.

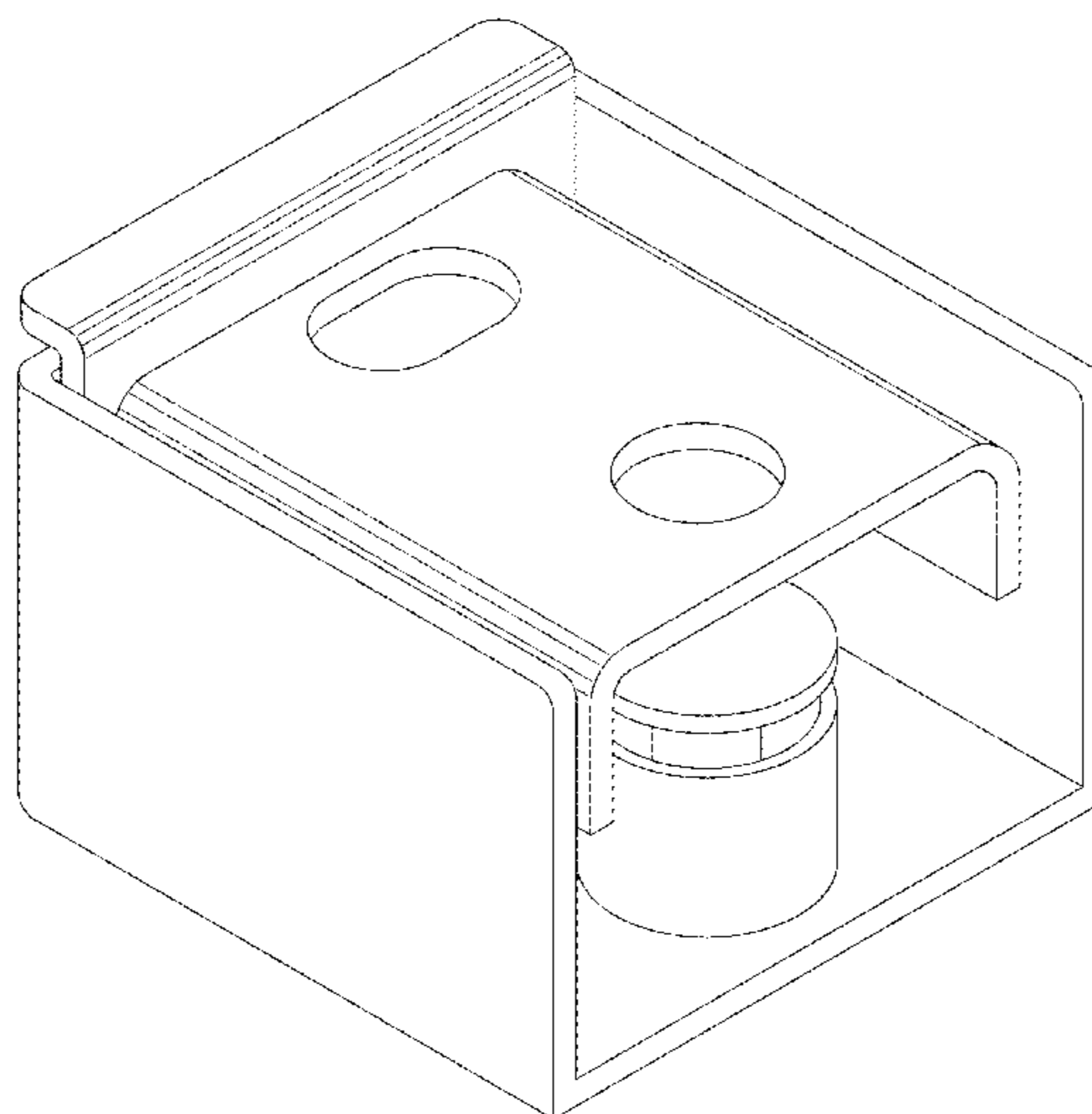
FIG. 9 is a perspective view of a bottom assembly of the lockbox separated from a top cover of the lockbox;

FIGS. 10-15 are top, left side, right side, bottom, front, and back views, respectively, of the separate bottom assembly; and,

FIG. 16 is a perspective view of the top cover of the lockbox separated from the bottom assembly;

FIGS. 17-22 are back, front, left side, right side, top, and bottom views, respectively, of the separate top cover.

**1 Claim, 13 Drawing Sheets**



# US D743,307 S

Page 2

---

(56)

## References Cited

### U.S. PATENT DOCUMENTS

D661,627 S \* 6/2012 Noone et al. .... D12/162  
D690,241 S \* 9/2013 Gustafson ..... D12/162  
D697,838 S \* 1/2014 Borkholder ..... D12/162

D697,839 S \* 1/2014 Le ..... D12/162  
D698,285 S \* 1/2014 Mason ..... D12/162  
2011/0113992 A1\* 5/2011 Valiulis et al. .... 109/51  
2014/0000327 A1\* 1/2014 Madruga et al. .... 70/466  
2014/0008246 A1\* 1/2014 Pfeiffer ..... 206/1.5

\* cited by examiner

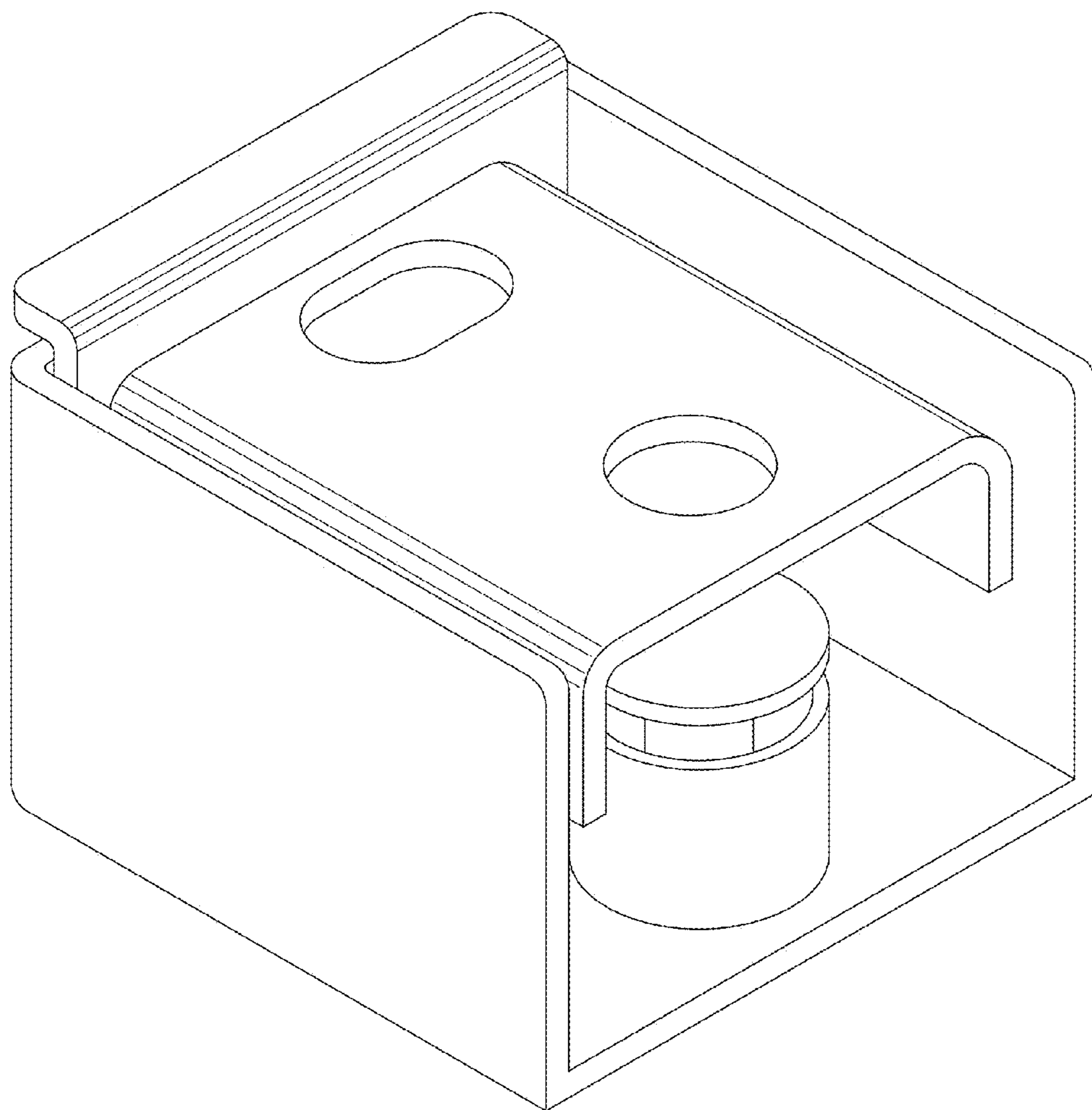


FIG. 1

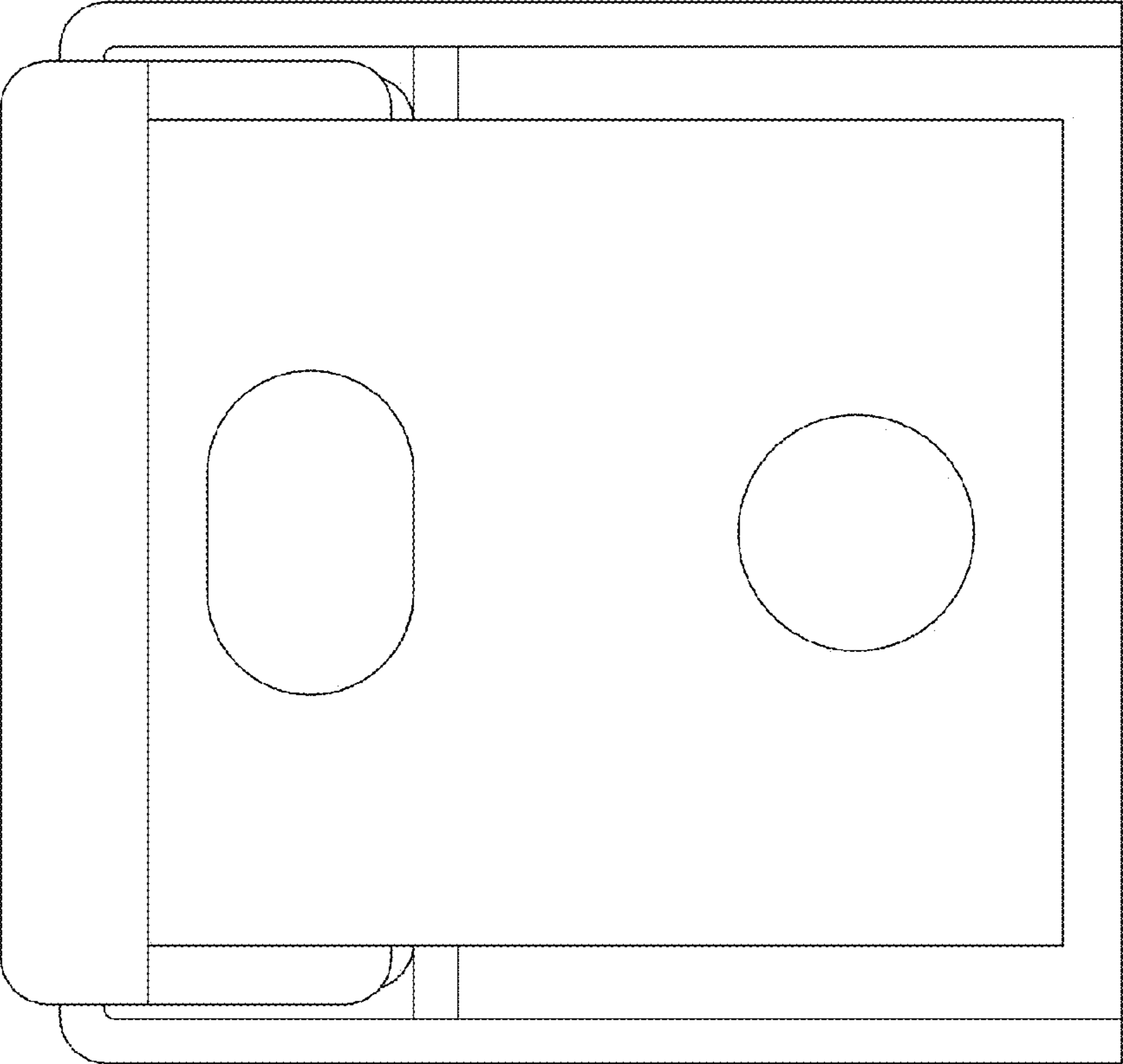


FIG. 2



FIG. 3

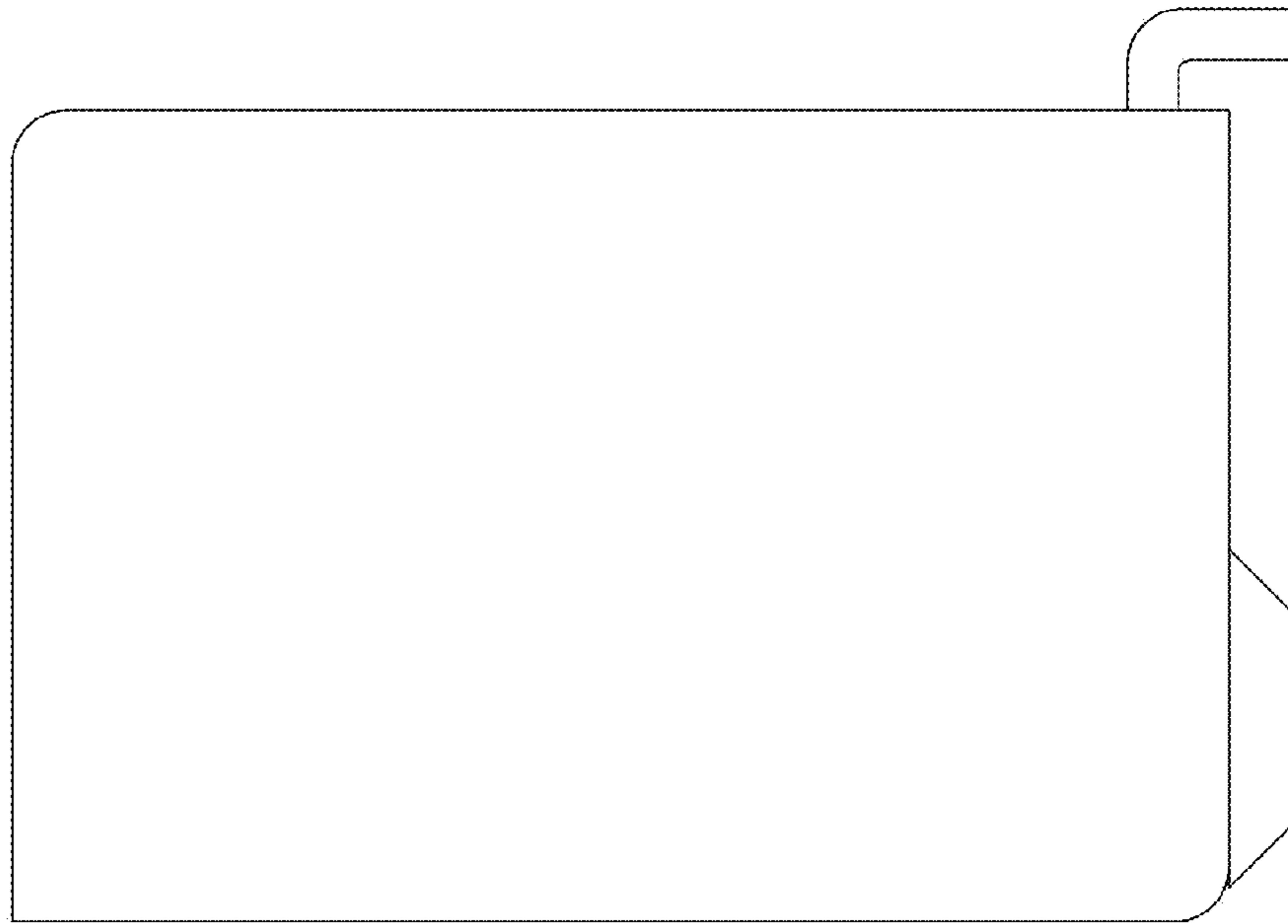


FIG. 4

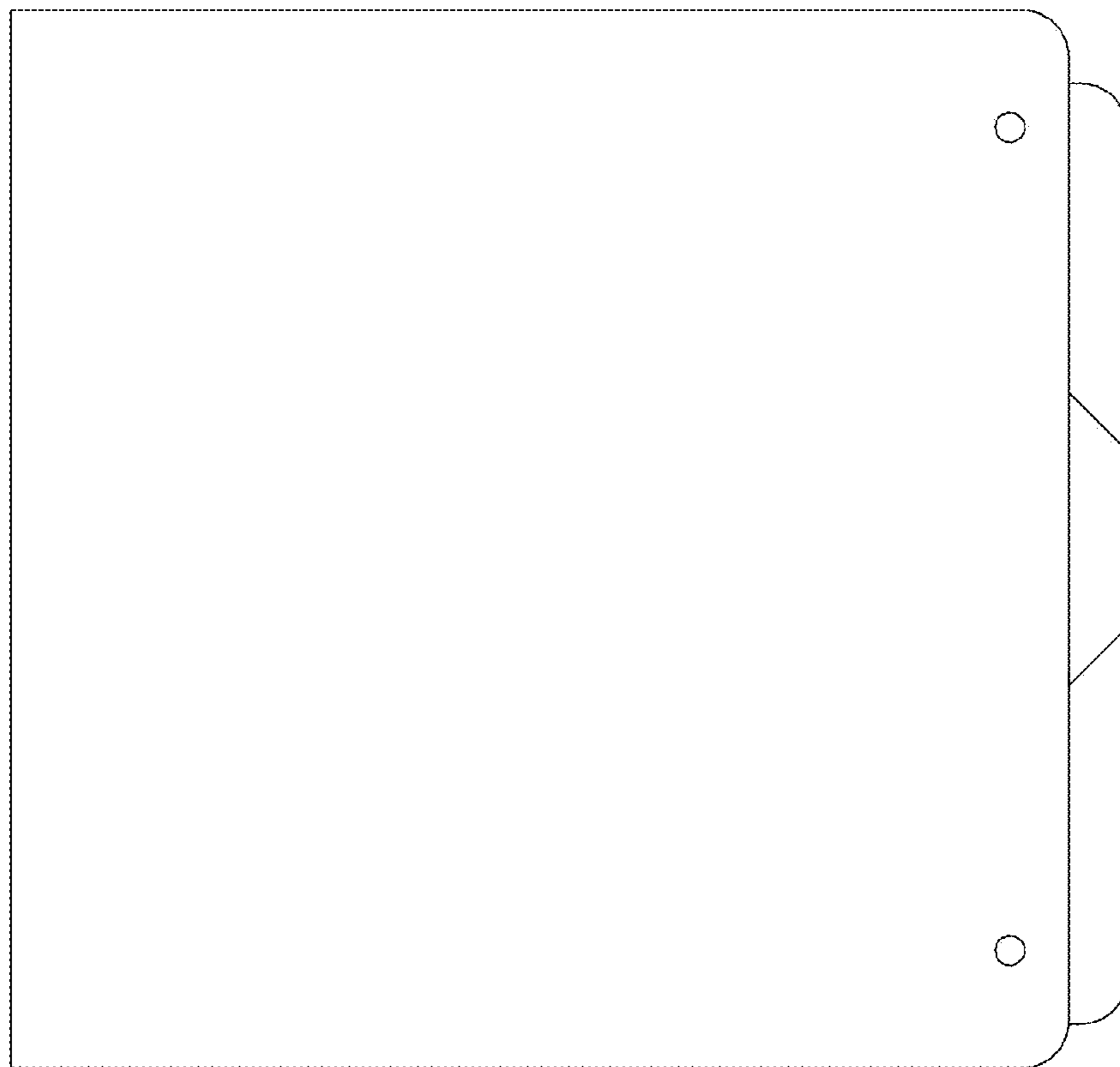


FIG. 5

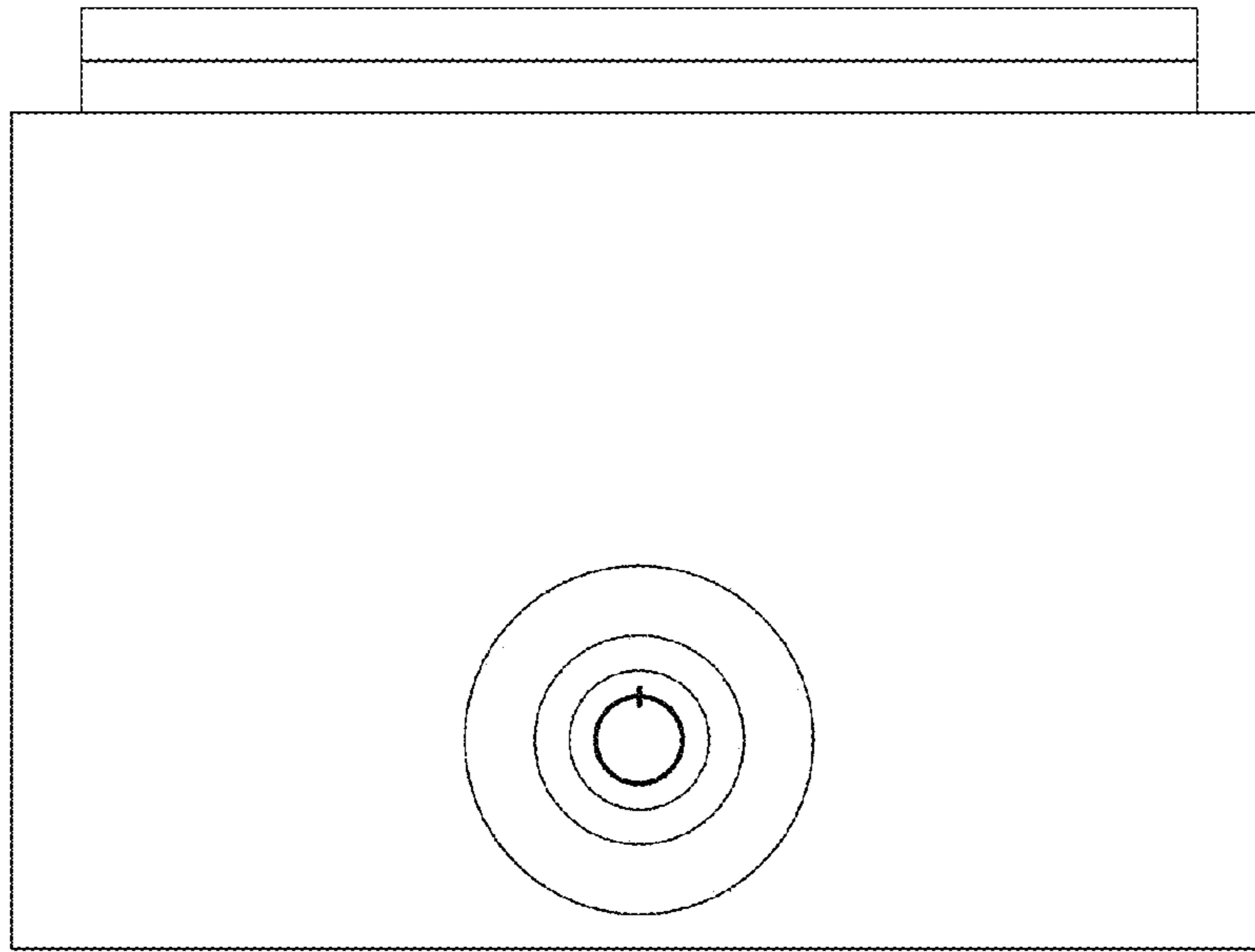


FIG. 6

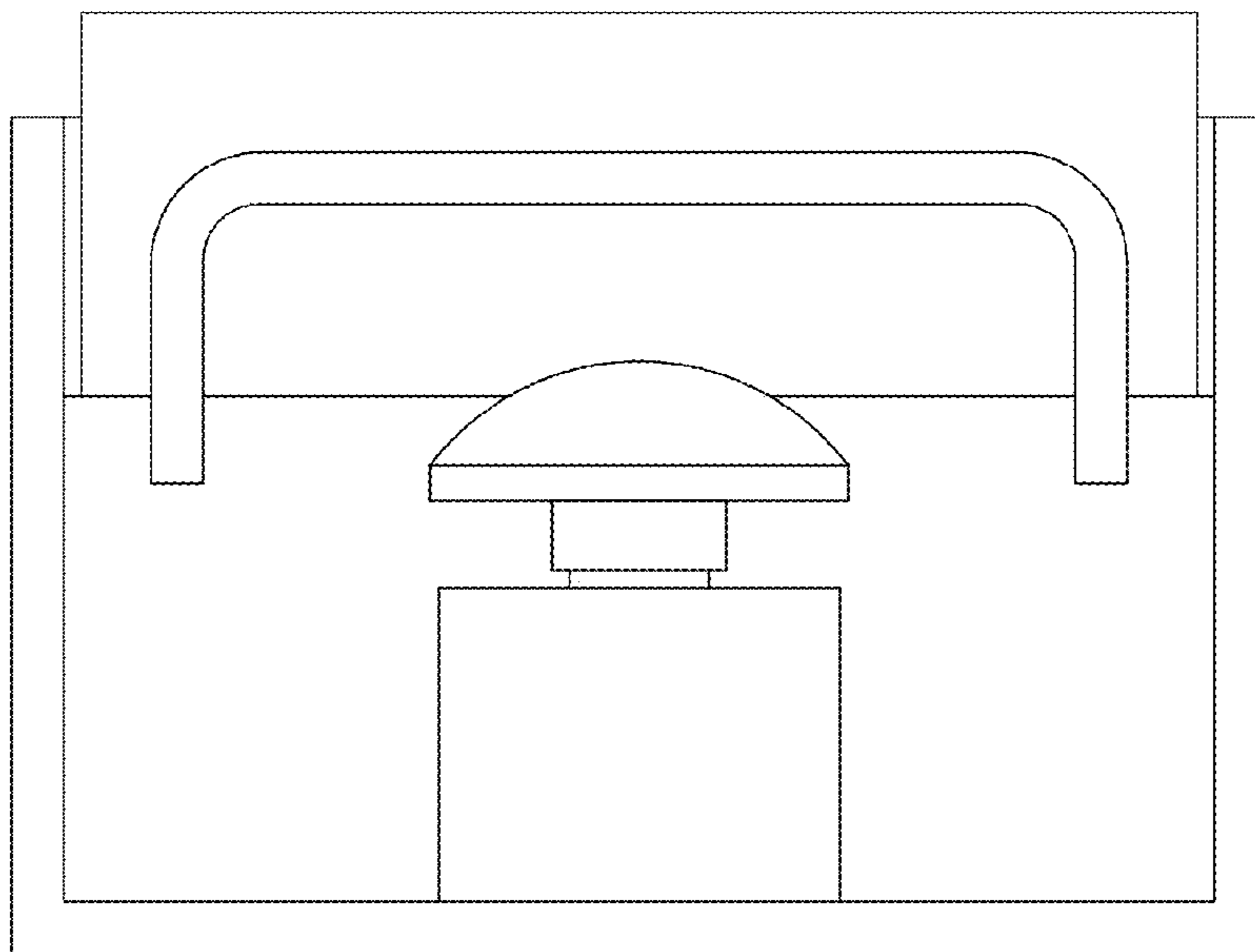


FIG. 7



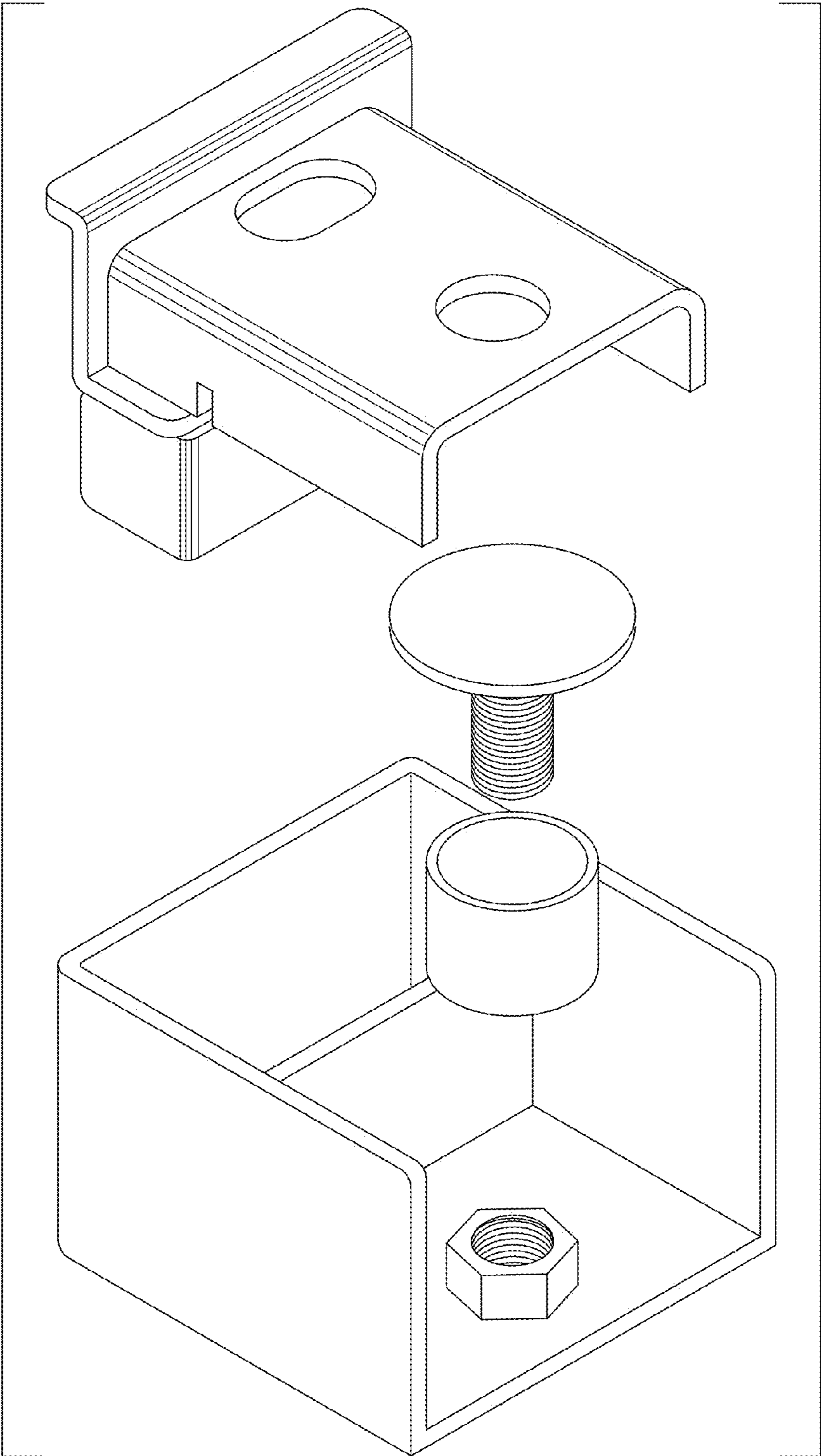


FIG. 8

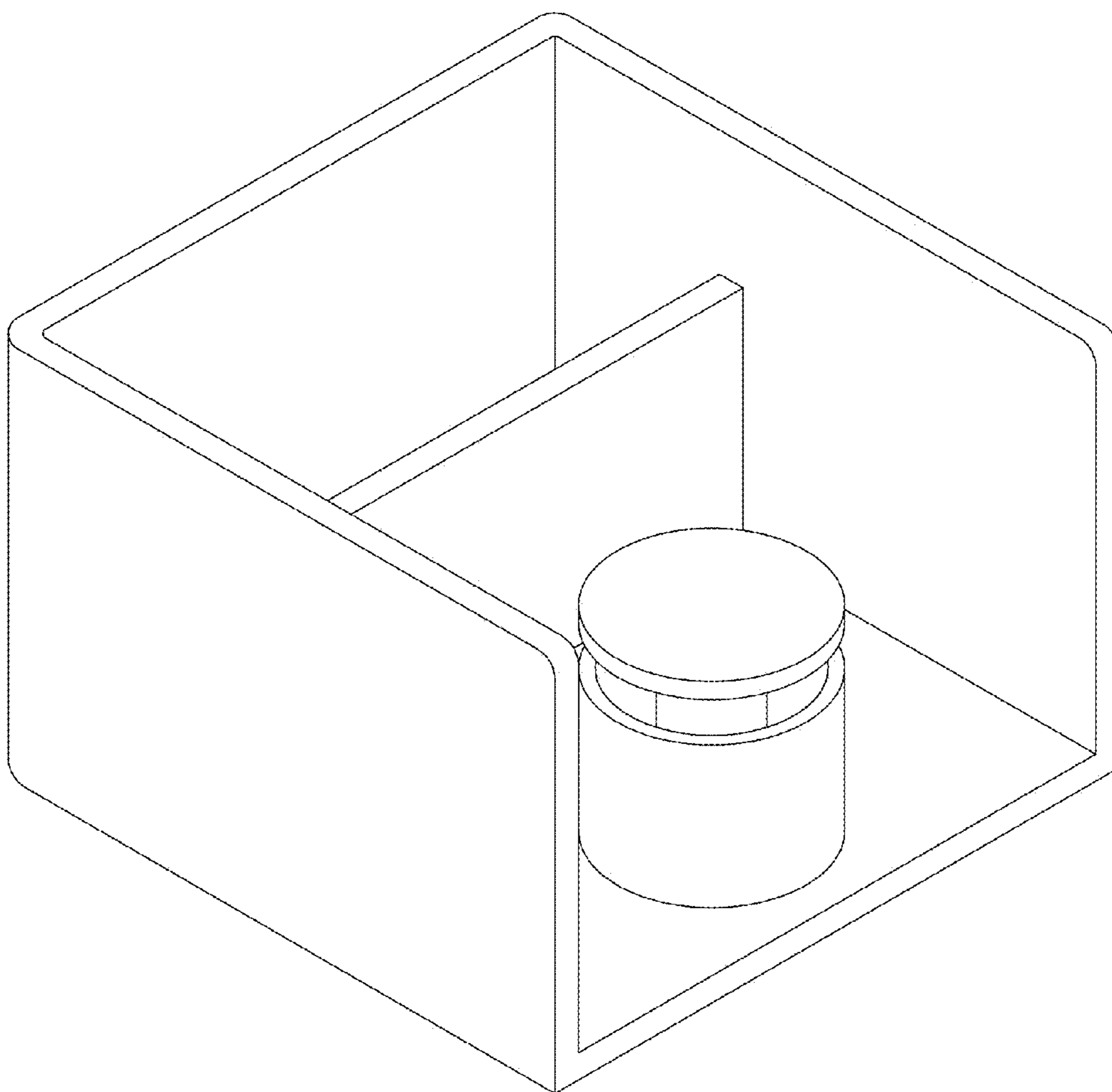


FIG. 9



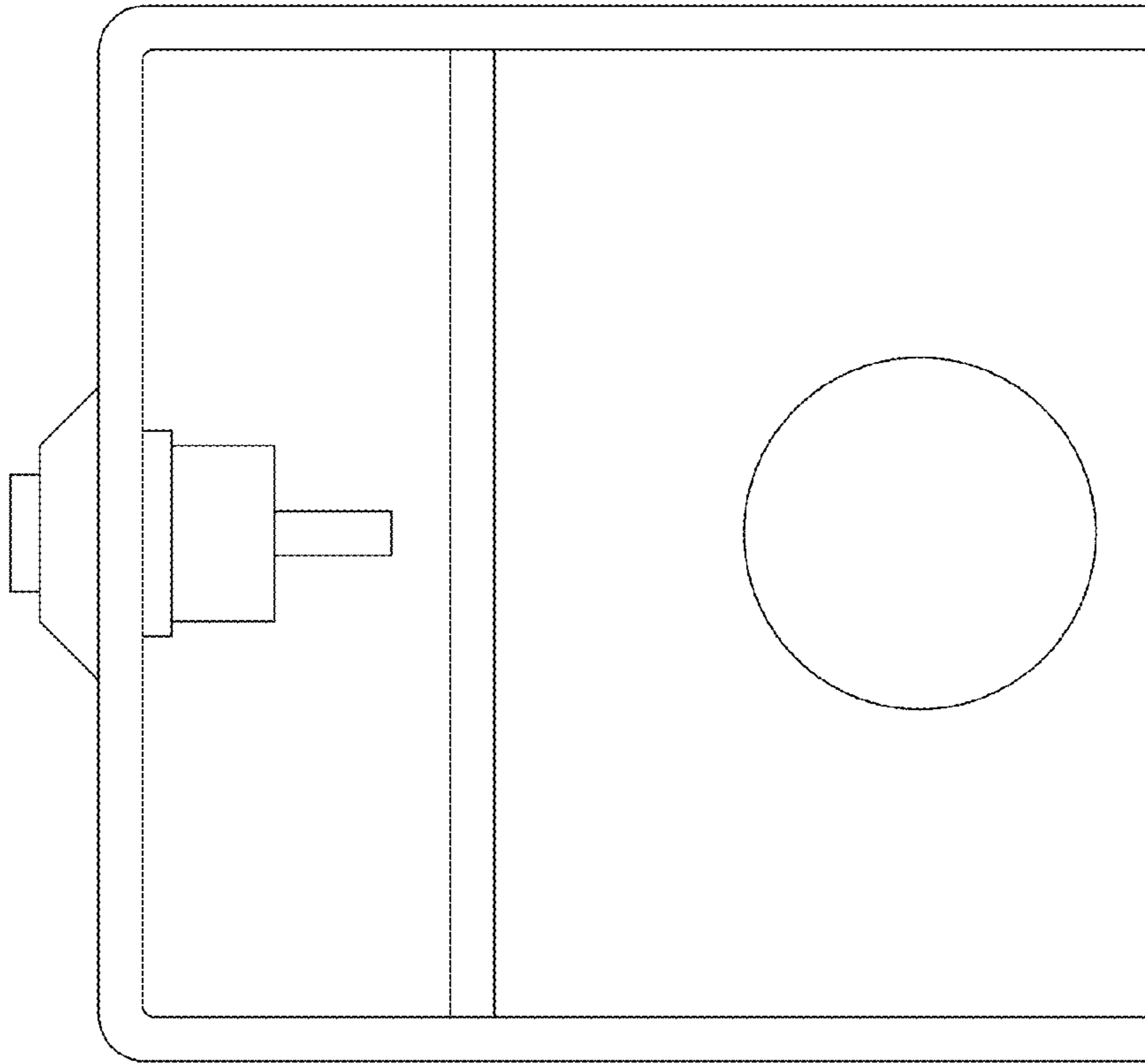


FIG. 10



FIG. 11

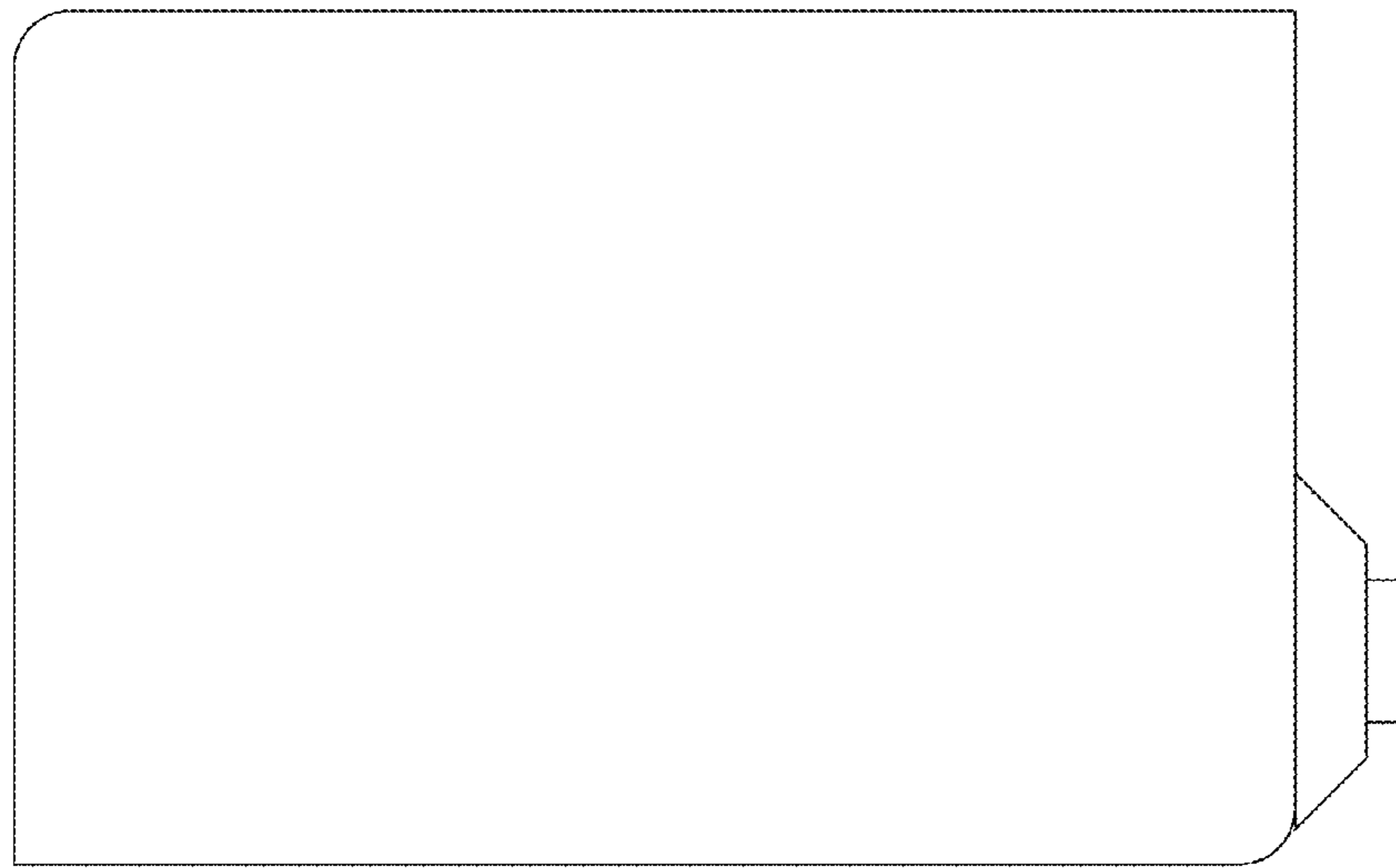


FIG. 12

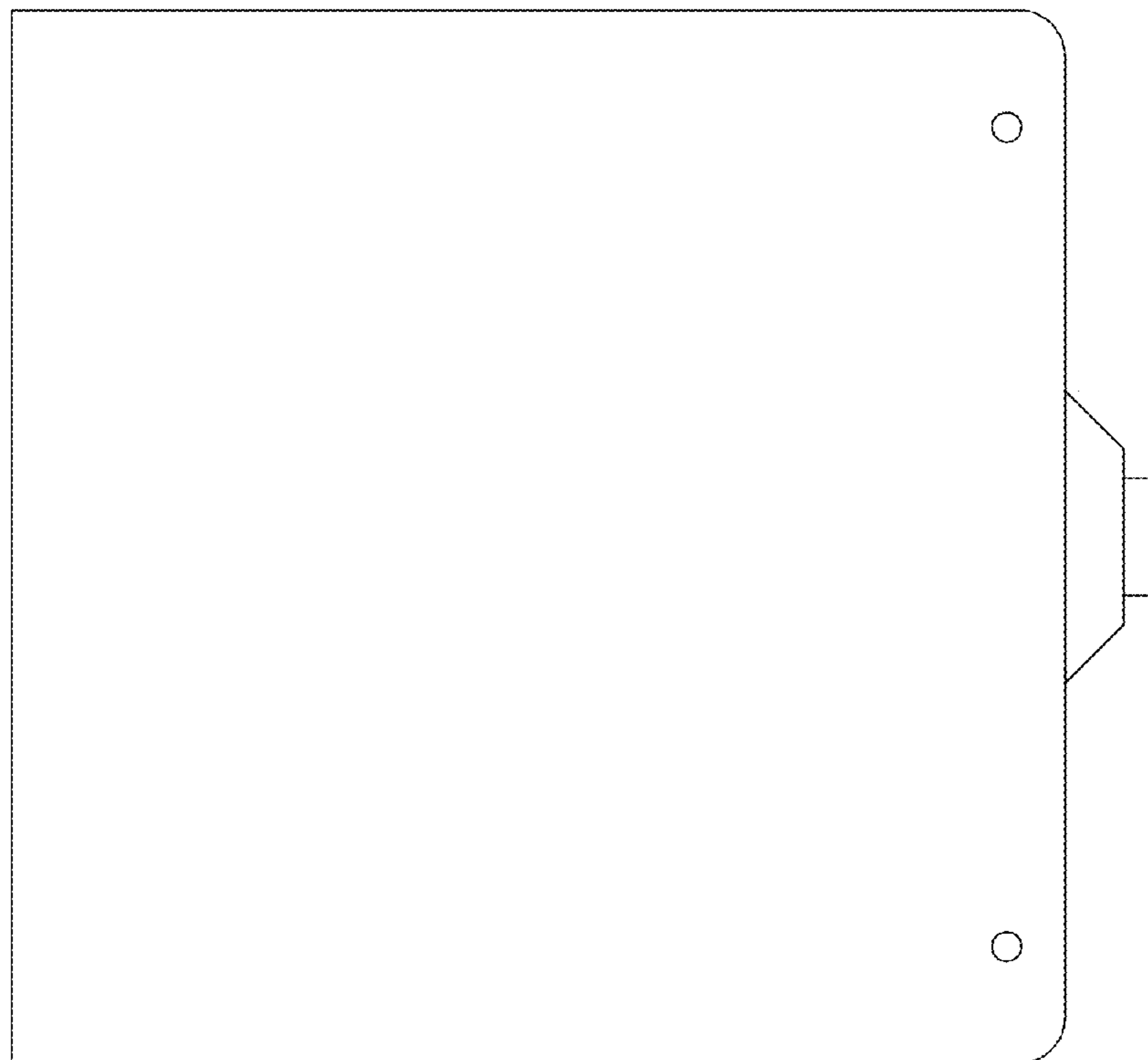


FIG. 13

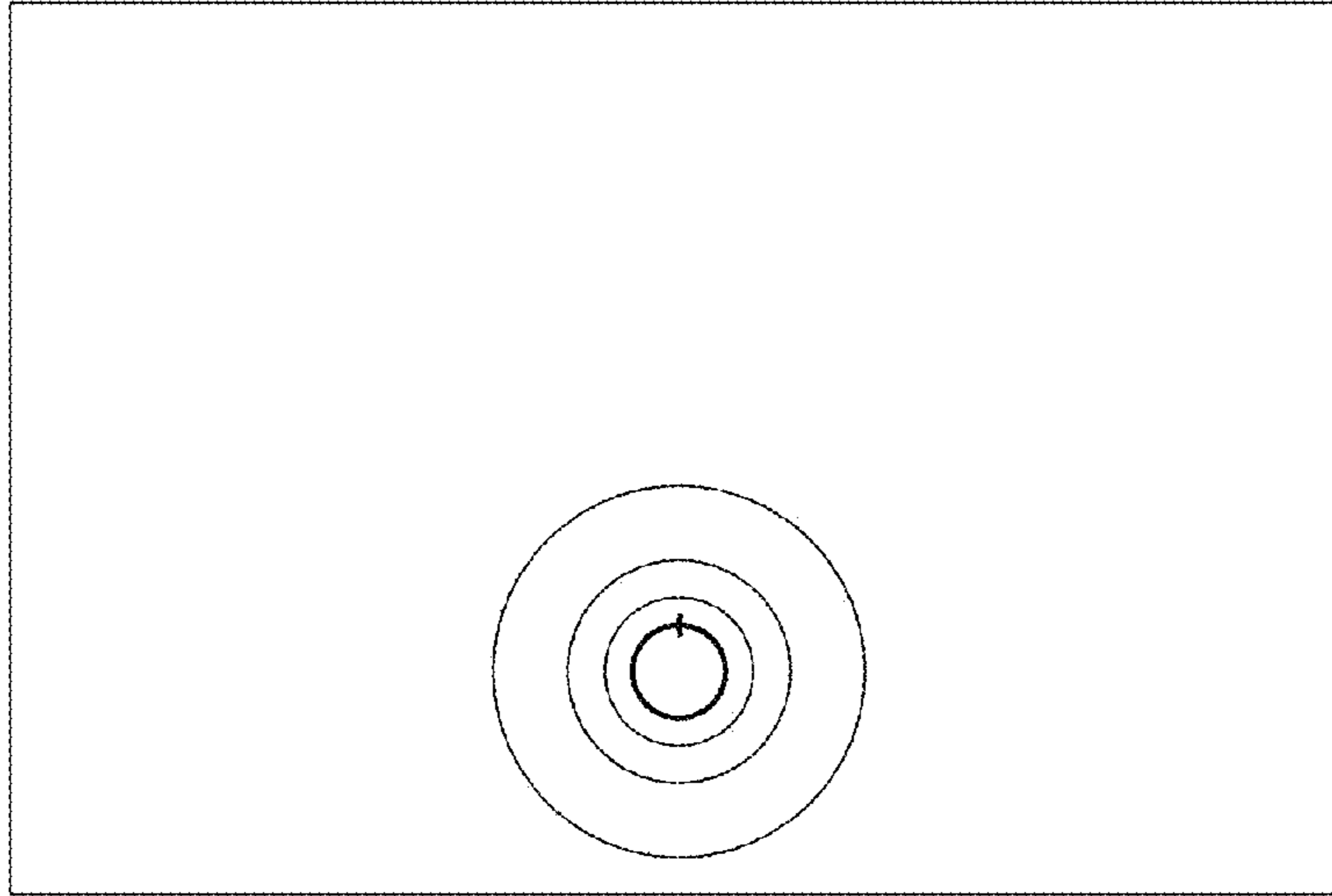


FIG. 14

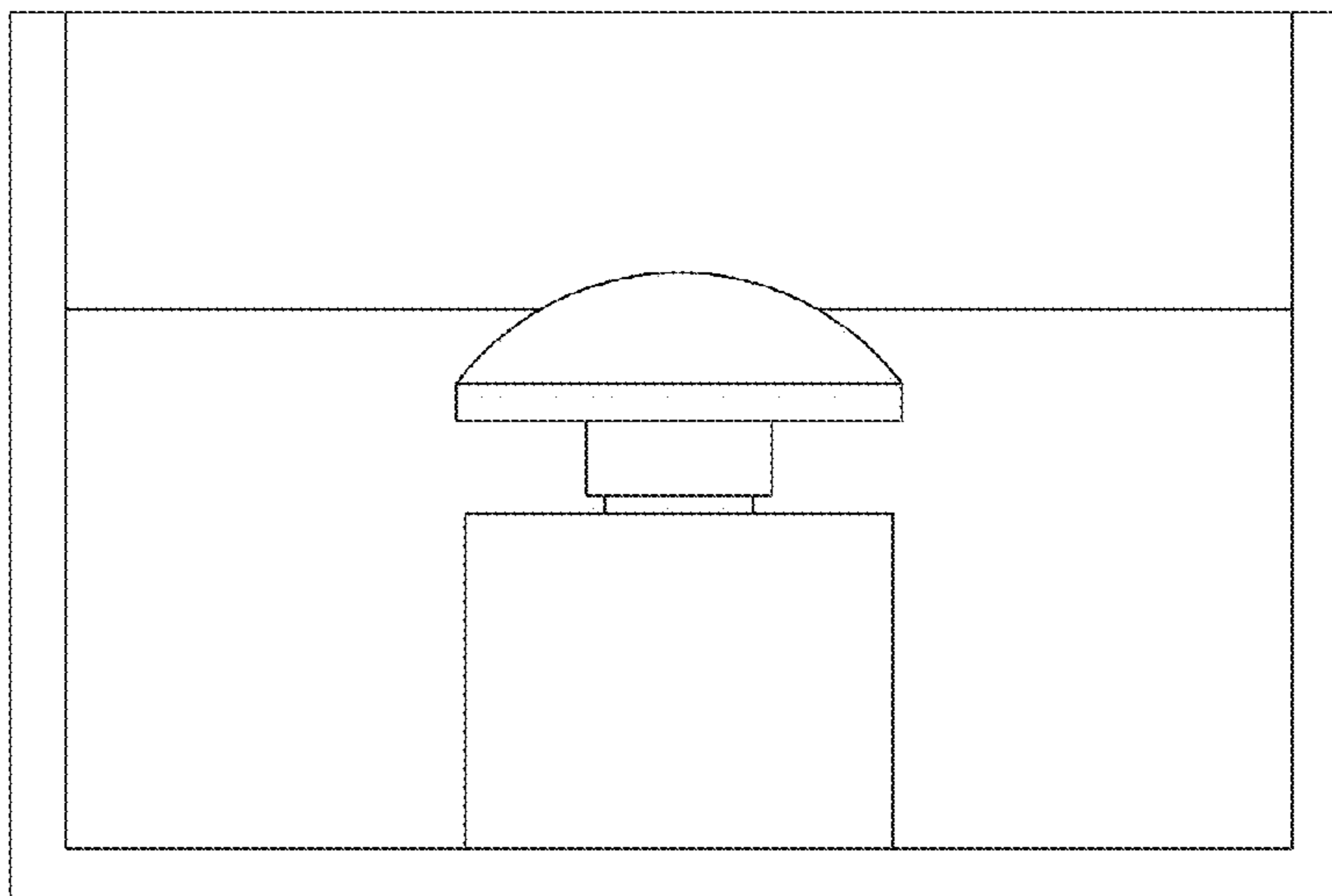


FIG. 15

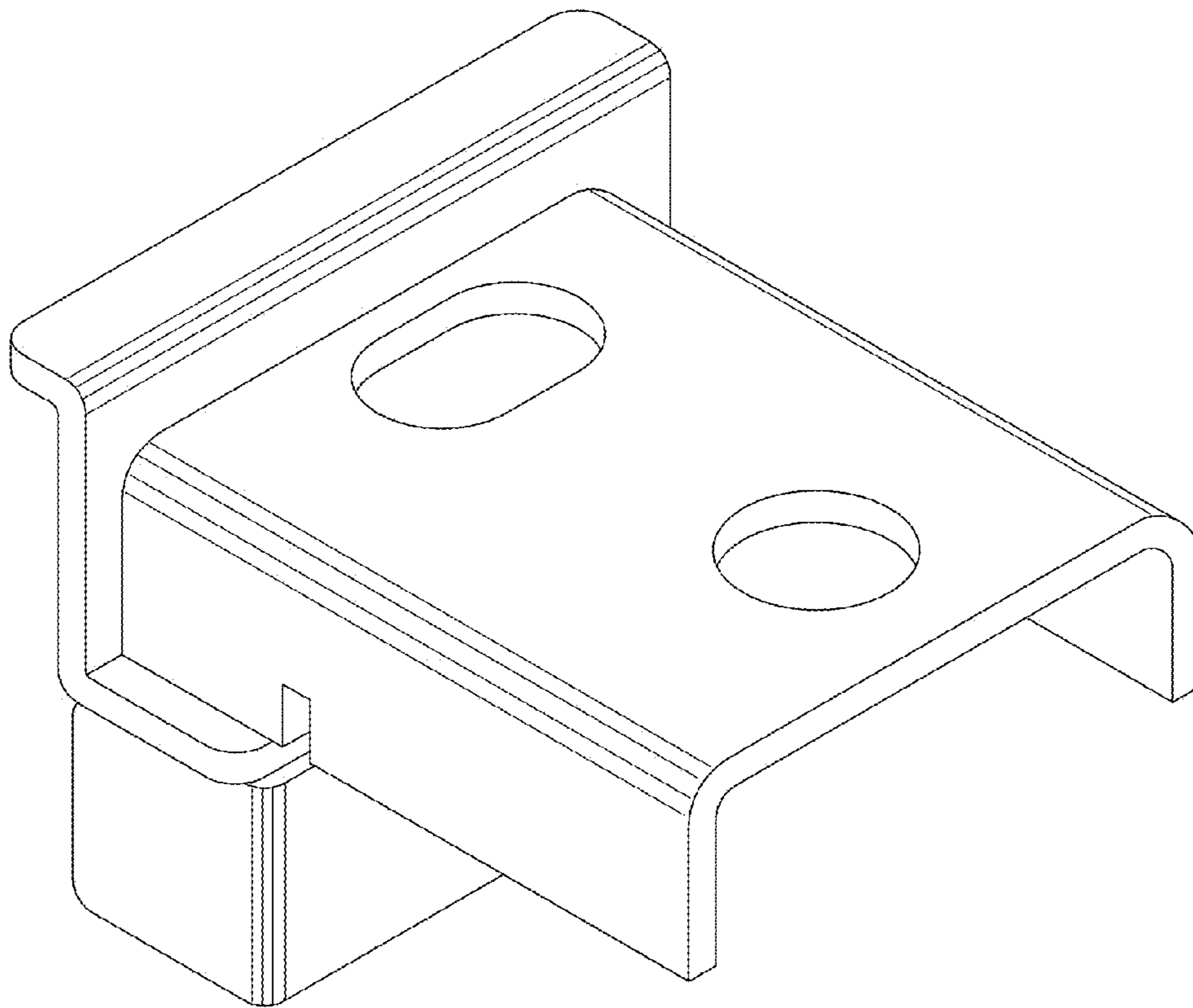


FIG. 16

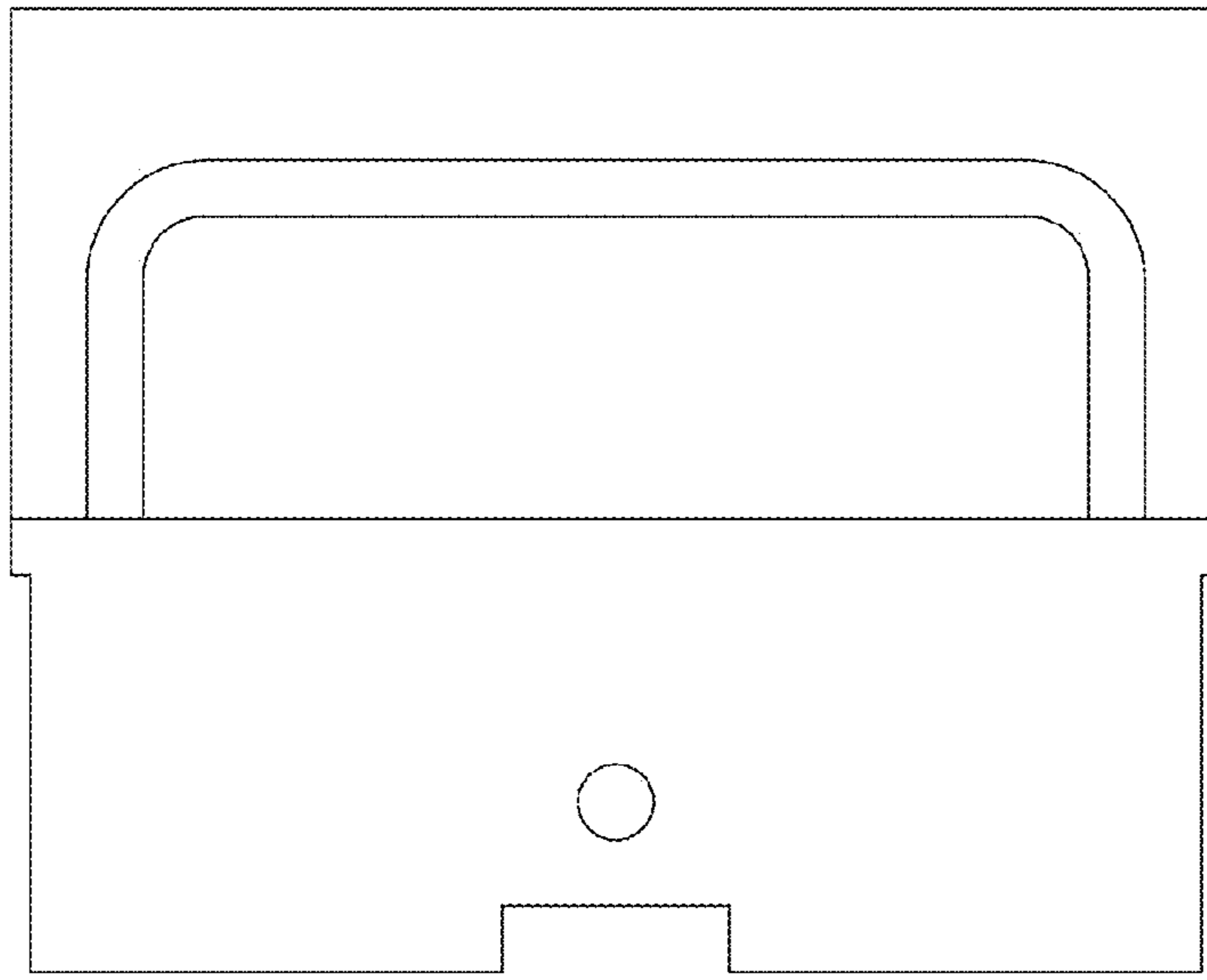


FIG. 17

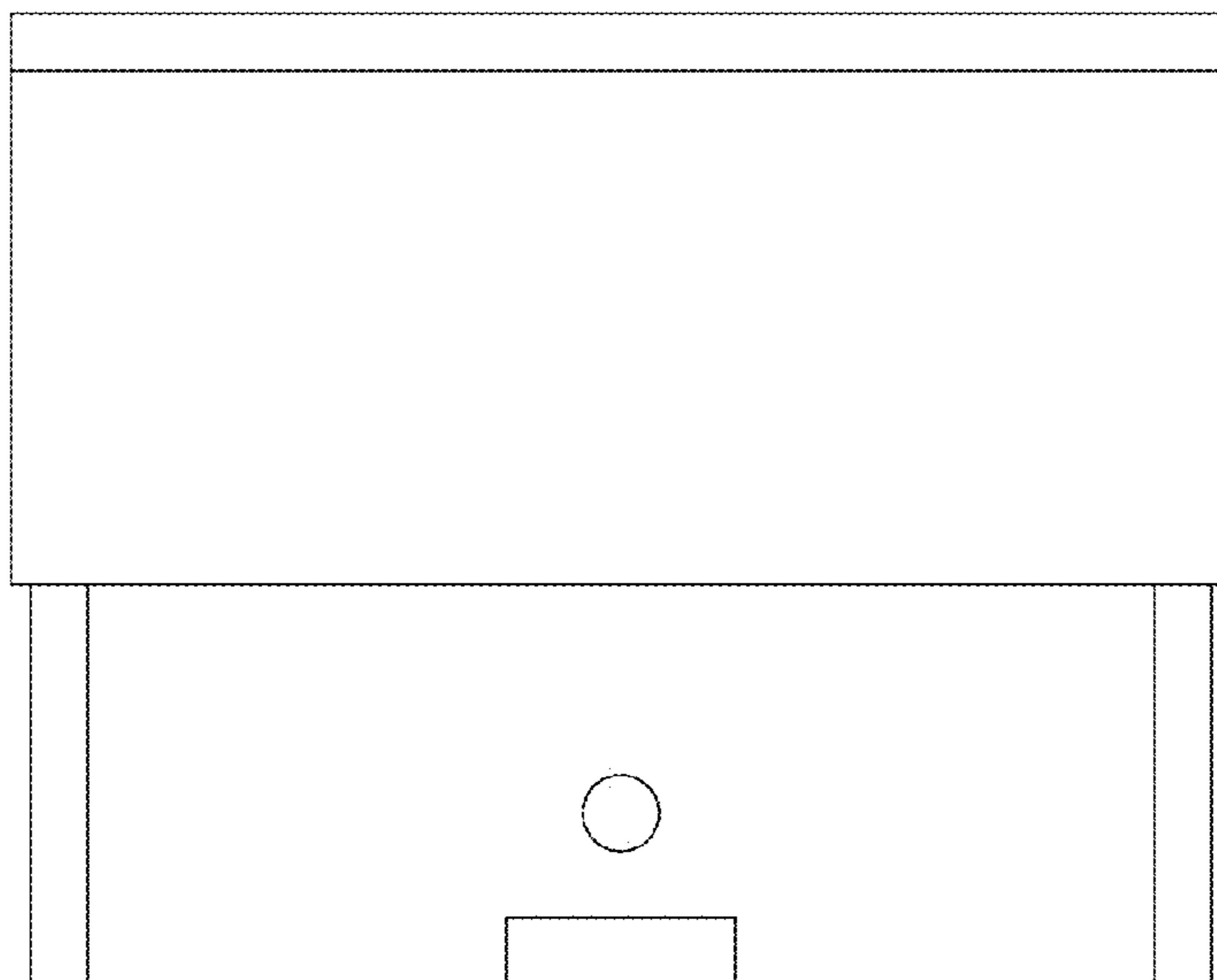


FIG. 18

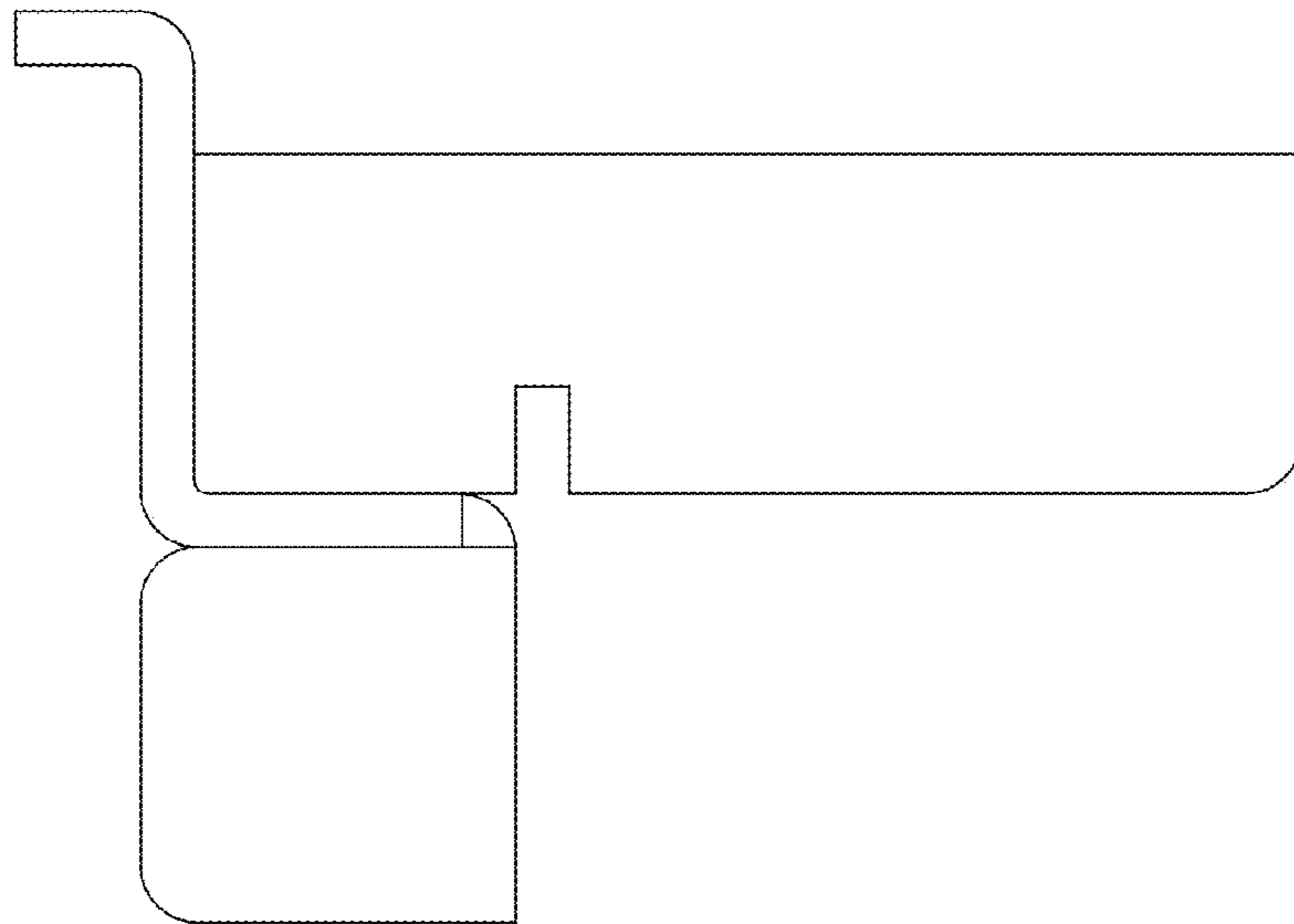


FIG. 19

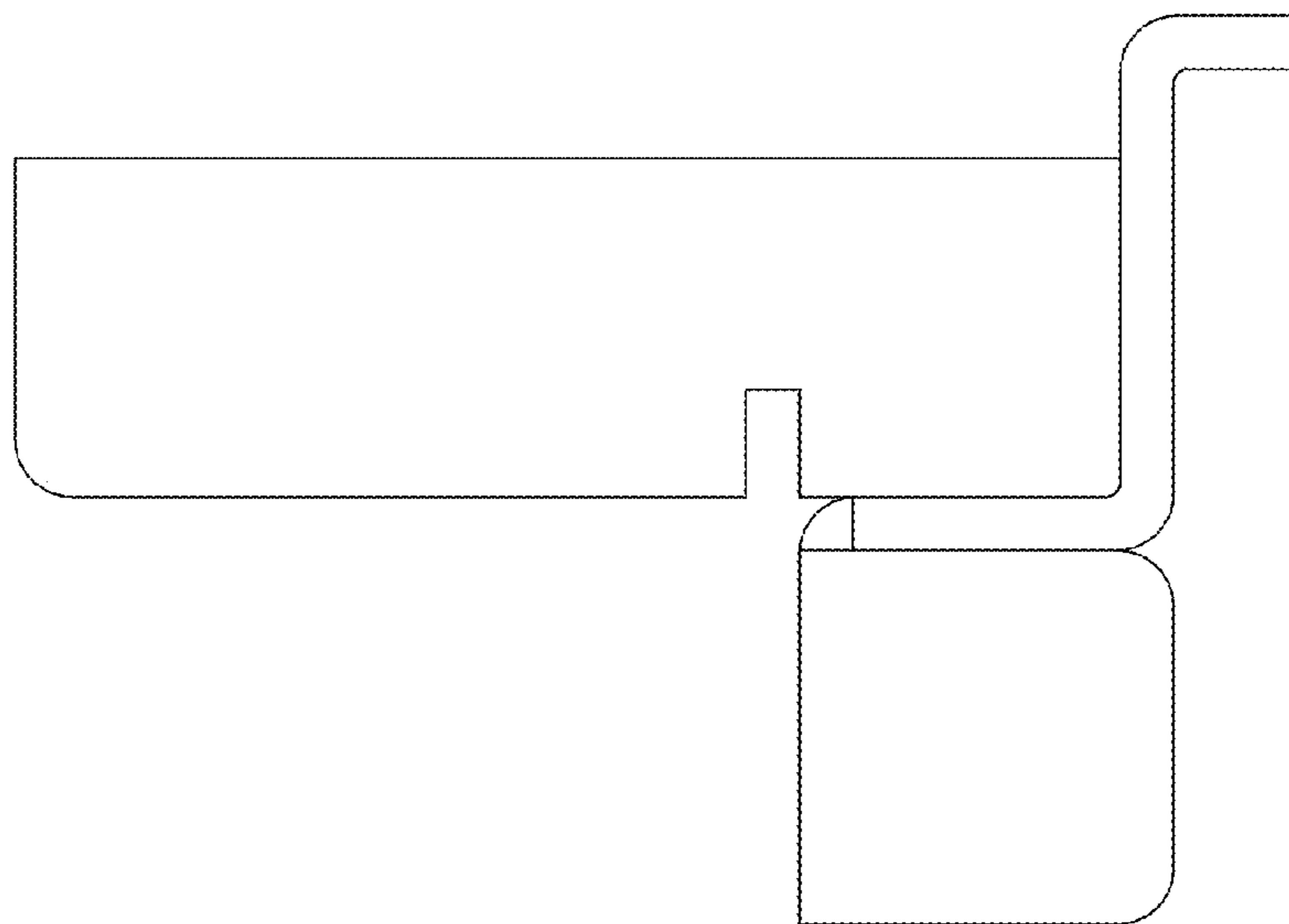


FIG. 20

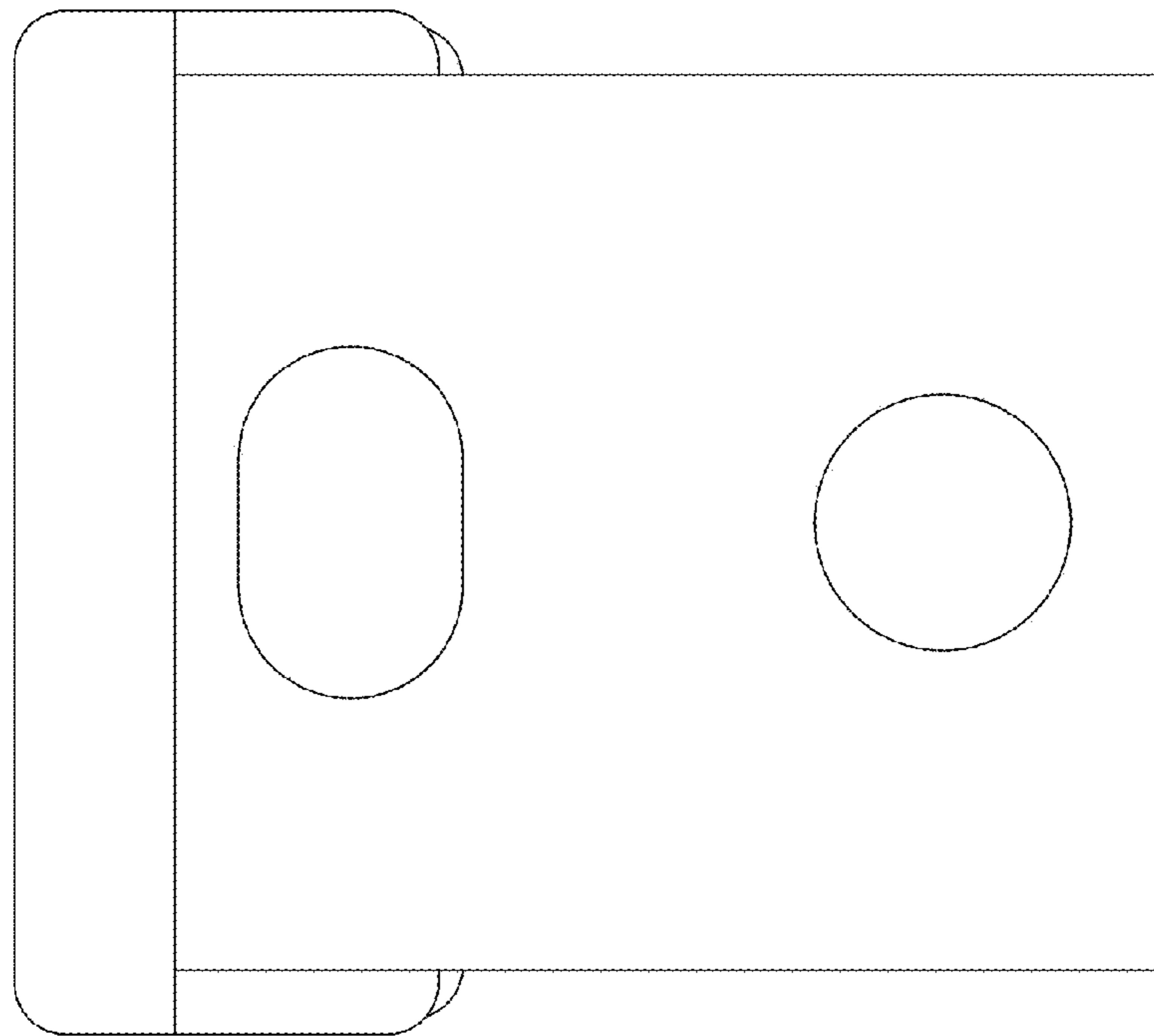


FIG. 21

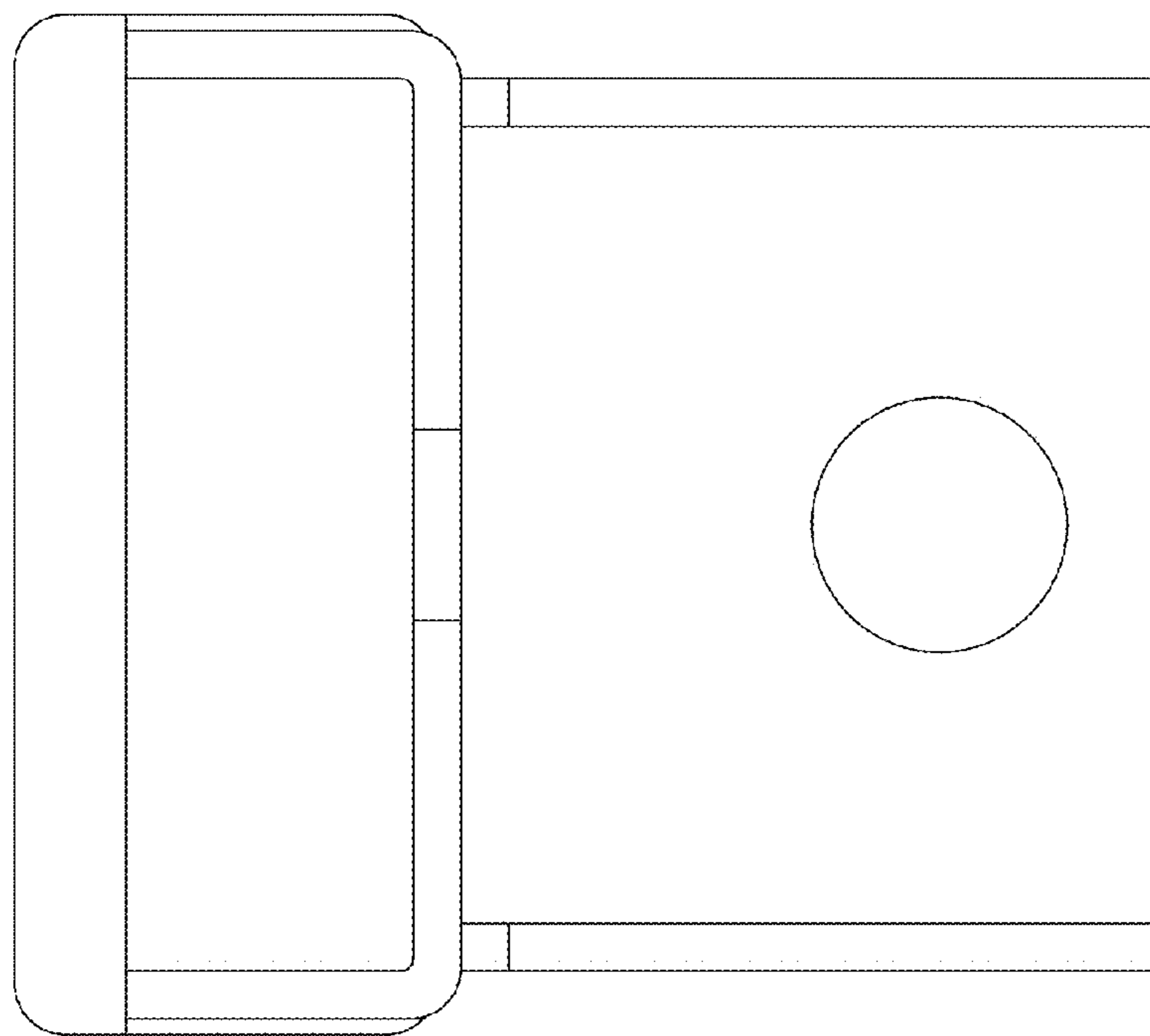


FIG. 22