



US00D743304S

(12) **United States Design Patent**
Mills

(10) **Patent No.:** **US D743,304 S**

(45) **Date of Patent:** **** Nov. 17, 2015**

(54) **STROLLER**

(71) Applicant: **Jeffrey B. Mills**, Austin, TX (US)

(72) Inventor: **Jeffrey B. Mills**, Austin, TX (US)

(**) Term: **14 Years**

(21) Appl. No.: **29/484,454**

(22) Filed: **Mar. 10, 2014**

Related U.S. Application Data

(63) Continuation-in-part of application No. 13/901,066, filed on May 23, 2013, now abandoned.

(51) **LOC (10) Cl.** **12-12**

(52) **U.S. Cl.**
USPC **D12/133**; D12/129

(58) **Field of Classification Search**
USPC D12/128-133; 280/62, 647-650, 29, 280/200, 47.38, 250.1, 259, 642, 658, 280/304.1; 128/99.1, 100.1

See application file for complete search history.

(56) **References Cited**

U.S. PATENT DOCUMENTS

706,448	A	8/1902	Pender	
1,480,451	A	1/1924	Koch	
1,508,500	A	9/1924	Bingen et al.	
1,952,467	A	3/1934	Slee	
D156,390	S	12/1949	Wenpetren	
2,961,248	A	11/1960	Meyers	
3,564,626	A	2/1971	Nelson	
5,099,528	A	3/1992	Wadman	
D371,094	S *	6/1996	Hinkston	D12/129
D377,466	S	1/1997	Baesa	
D408,768	S *	4/1999	Baechler et al.	D12/133
5,987,665	A	11/1999	Simantob et al.	
D442,895	S *	5/2001	Chiu	D12/129
6,250,654	B1	6/2001	Willis	

D452,195	S *	12/2001	Baechler	D12/129
D475,951	S *	6/2003	Everett	D12/129
D481,976	S *	11/2003	Everett	D12/129
6,671,926	B2 *	1/2004	Huang	16/35 R
D498,713	S *	11/2004	Chou	D12/129
D498,714	S *	11/2004	Chou	D12/129

(Continued)

OTHER PUBLICATIONS

Stroller/baby rocker/rocker/909A; Alibaba.com; www.alibaba.com/product-gs/31678552/stroller_baby_rocker_909A; three pages; Mar. 8, 2012.

(Continued)

Primary Examiner — Susan Bennett Hattan

Assistant Examiner — Charles Hanson

(74) *Attorney, Agent, or Firm* — John A. Fortkort; Fortkort & Houston P.C.

(57) **CLAIM**

The ornamental design for a stroller, as shown and described.

DESCRIPTION

FIG. 1 is a perspective view of a fourth embodiment of a stroller incorporating the subject design.

FIG. 2 is a perspective view of the stroller of FIG. 1.

FIG. 3 is a top view of the stroller of FIG. 1.

FIG. 4 is a bottom view of the stroller of FIG. 1.

FIG. 5 is a rear view of the stroller of FIG. 1.

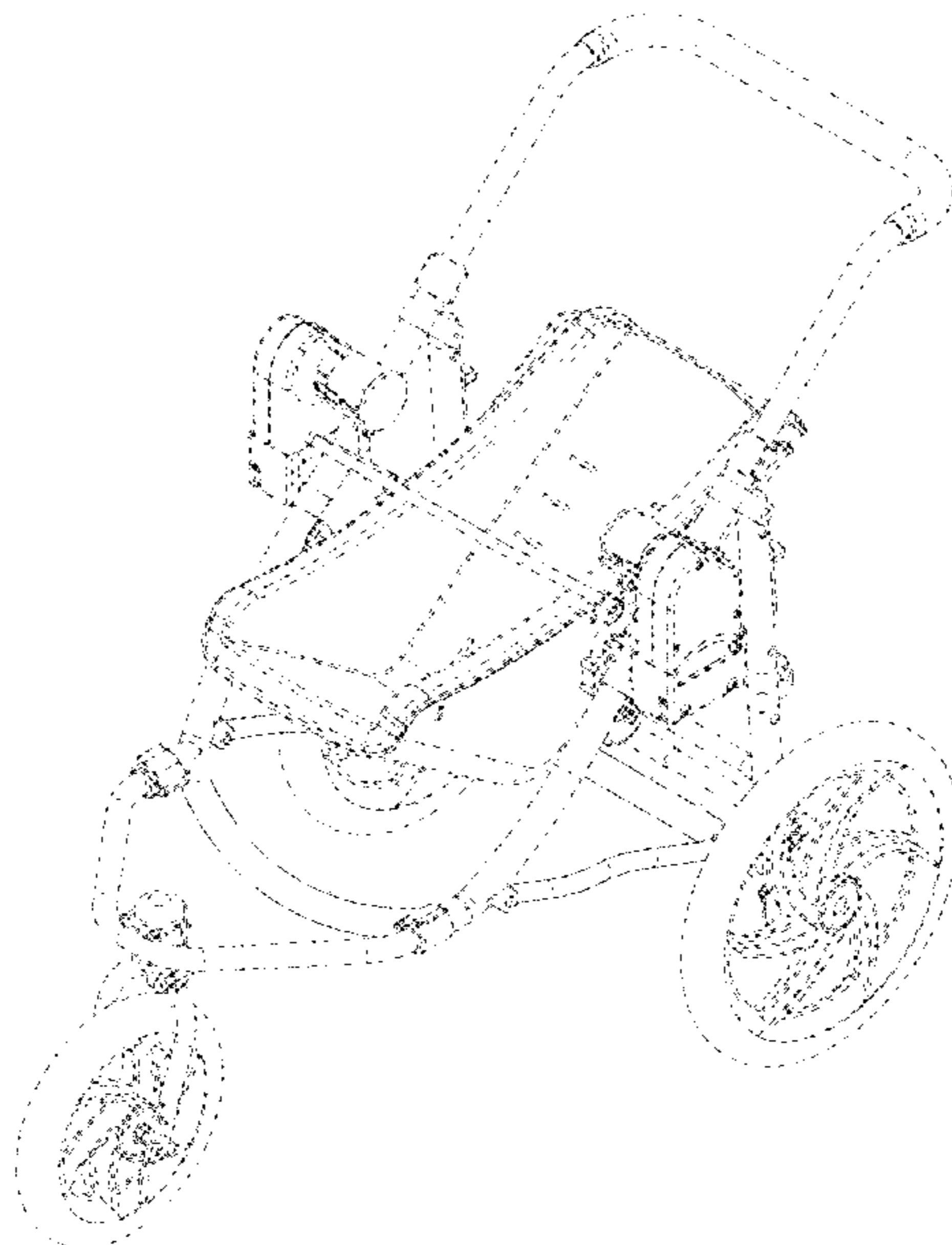
FIG. 6 is a front view of the stroller of FIG. 1.

FIG. 7 is a side view of the stroller of FIG. 1; the opposing side is a mirror image; and,

FIG. 8 is an exploded view of the stroller of FIG. 1.

The broken line showing is included for the purpose of illustrating environmental structures and forms no part of the claimed design.

1 Claim, 8 Drawing Sheets



(56)

References Cited

U.S. PATENT DOCUMENTS

6,893,040	B2 *	5/2005	Hou et al.	280/642
D519,063	S *	4/2006	Chang	D12/129
7,037,205	B1	5/2006	Bowman		
7,100,724	B2	9/2006	Haigh		
7,497,461	B2	3/2009	Emerson		
D604,055	S	11/2009	Plested et al.		
D622,640	S *	8/2010	Gower et al.	D12/129
D623,429	S	9/2010	Plested et al.		
D667,229	S	9/2012	Sturmey		
8,398,111	B2	3/2013	Mival et al.		
D682,562	S	5/2013	Plested et al.		
D684,789	S	6/2013	Wilkinson		
D687,352	S *	8/2013	Shellenberger et al.	D12/129
8,635,743	B2	1/2014	Smith et al.		
2004/0212161	A1	10/2004	Haigh		
2012/0023662	A1	2/2012	Larsson		
2012/0060326	A1	3/2012	Smith et al.		

OTHER PUBLICATIONS

Rocker+Baby Stroller; Alibaba.com; www.alibaba.com/product-gs/302843203/ROCKER_Baby_Stroller; three pages; Mar. 8, 2012.

Robopax Baby Rocker—Automatic Pram Buggy Push Chair Baby Rocker; www.amazon.co.uk/Robopax-Baby-Rocker-Automatic-Buggy/dp/B004DORTGM; five pages; Mar. 8, 2012.

Baby Carriage, Rocker, and High Chair Combined; Popular Mechanics, one page; Mar. 1925.

Graco Play Set Stroller with Canopy, Swing and High Chair Combination, Play gym, Baby Monitors and 3 Piece Accessories; www.newegg.com/Product/Product.aspx?Item=9SIA0AC03B3959; two pages; Apr. 9, 2012.

lolaloo; www.lolaloo.com/en/index.html; one page; Mar. 8, 2012.

Blue Baby Stroller With Rocker; www.alibaba.com/product-gs/493755050/Blue_Baby_Stroller_With_Rocker.html; three pages; Mar. 8, 2012.

Baby Stroller With Rocker; www.alibaba.com/product-gs/498578484/Baby_Stroller_With_Rocker.html; three pages; Mar. 8, 2012.

Baby stroller. Rocking ability. Compact-brings baby closer 2 parent. Folds easily. Lighter. Much higher-doubles as a highchair. Teamlab; www.quirky.com/ideations/193310; nine pages; Apr. 9, 2012.

Baby carrier, children's stroller, baby rocker; www.alibaba.com/product-gs/210011612/baby_carrier_children_s_stroller_baby.html; three pages; Mar. 8, 2012.

* cited by examiner

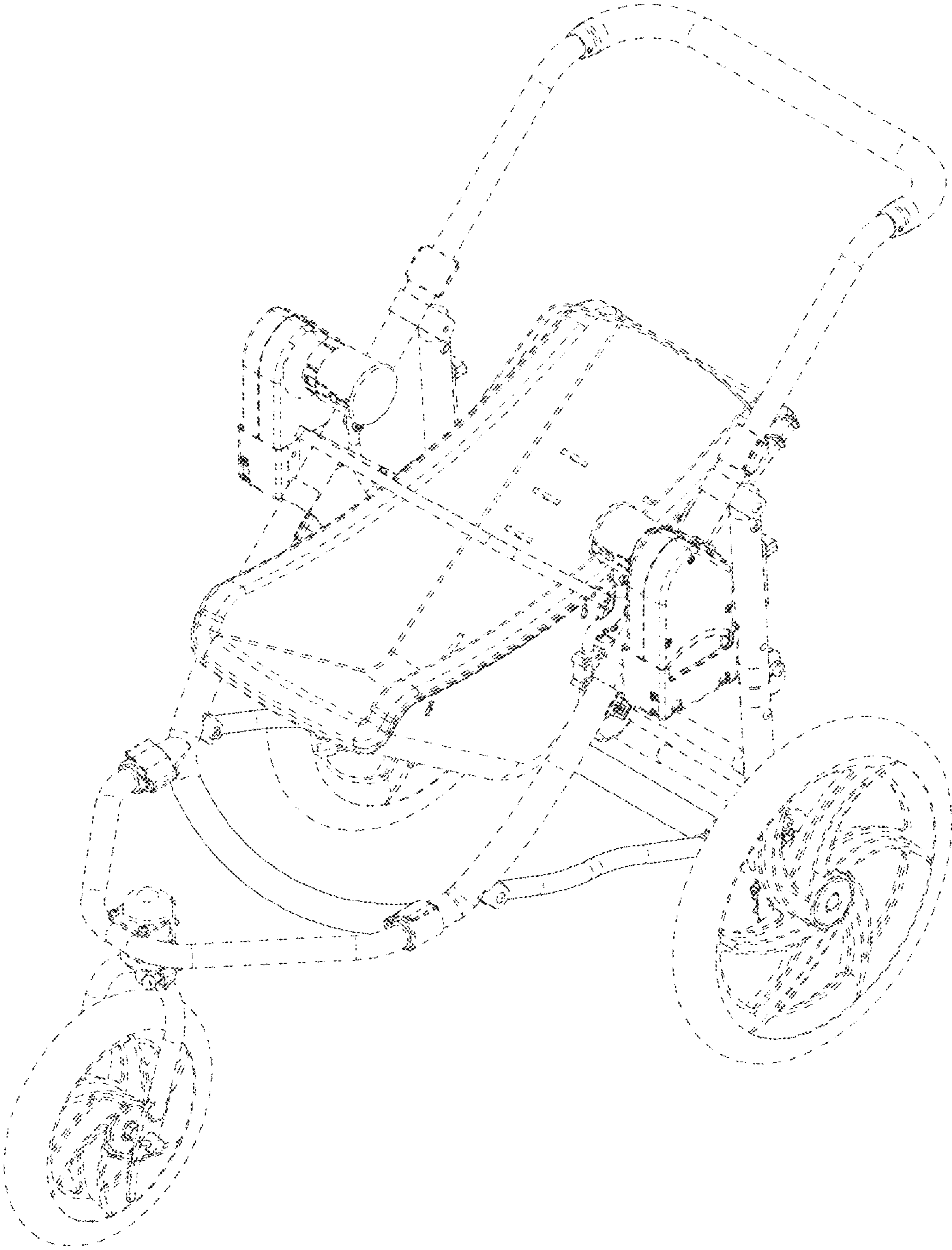


FIG. 1

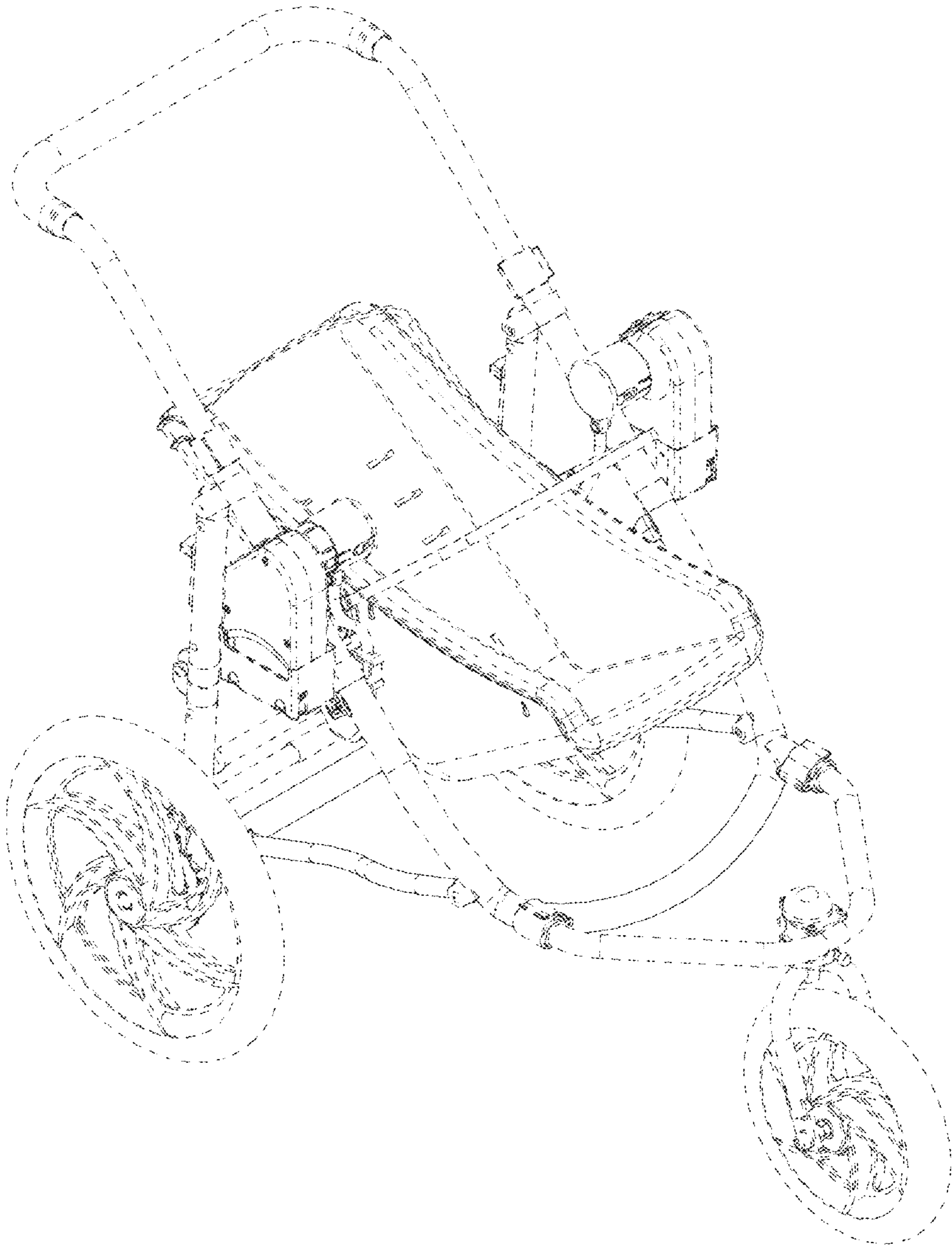


FIG. 2

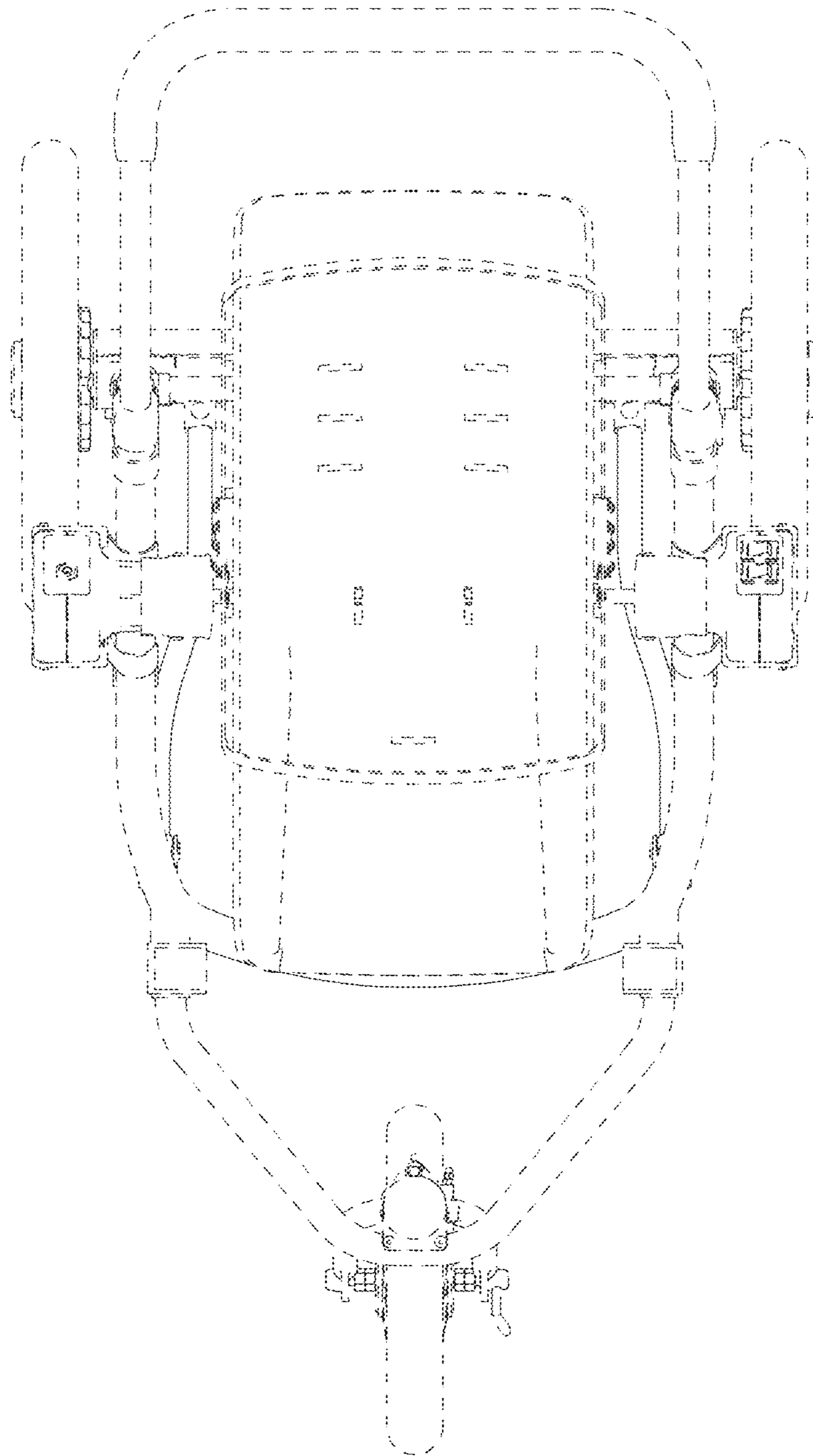


FIG. 3

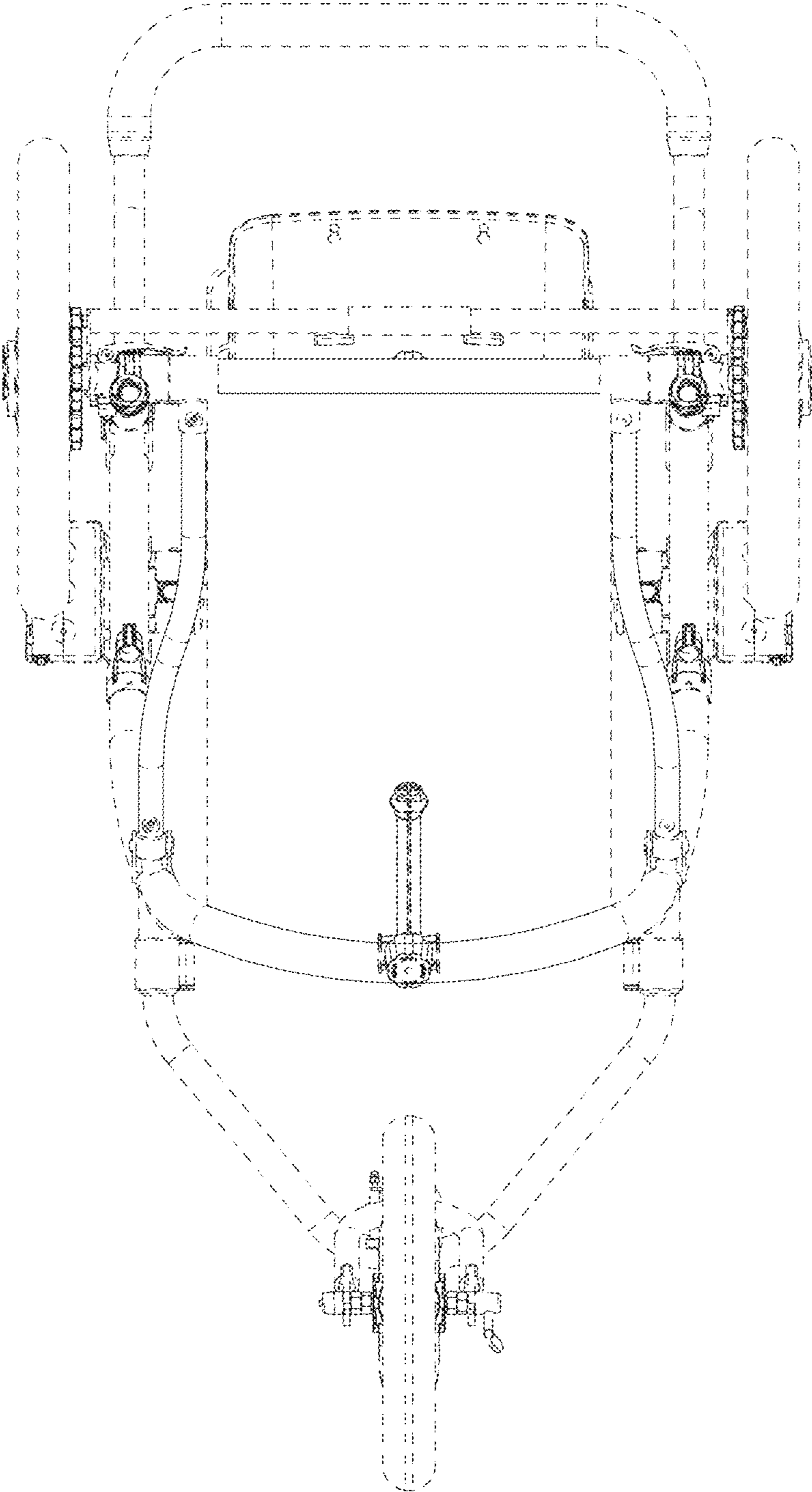


FIG. 4

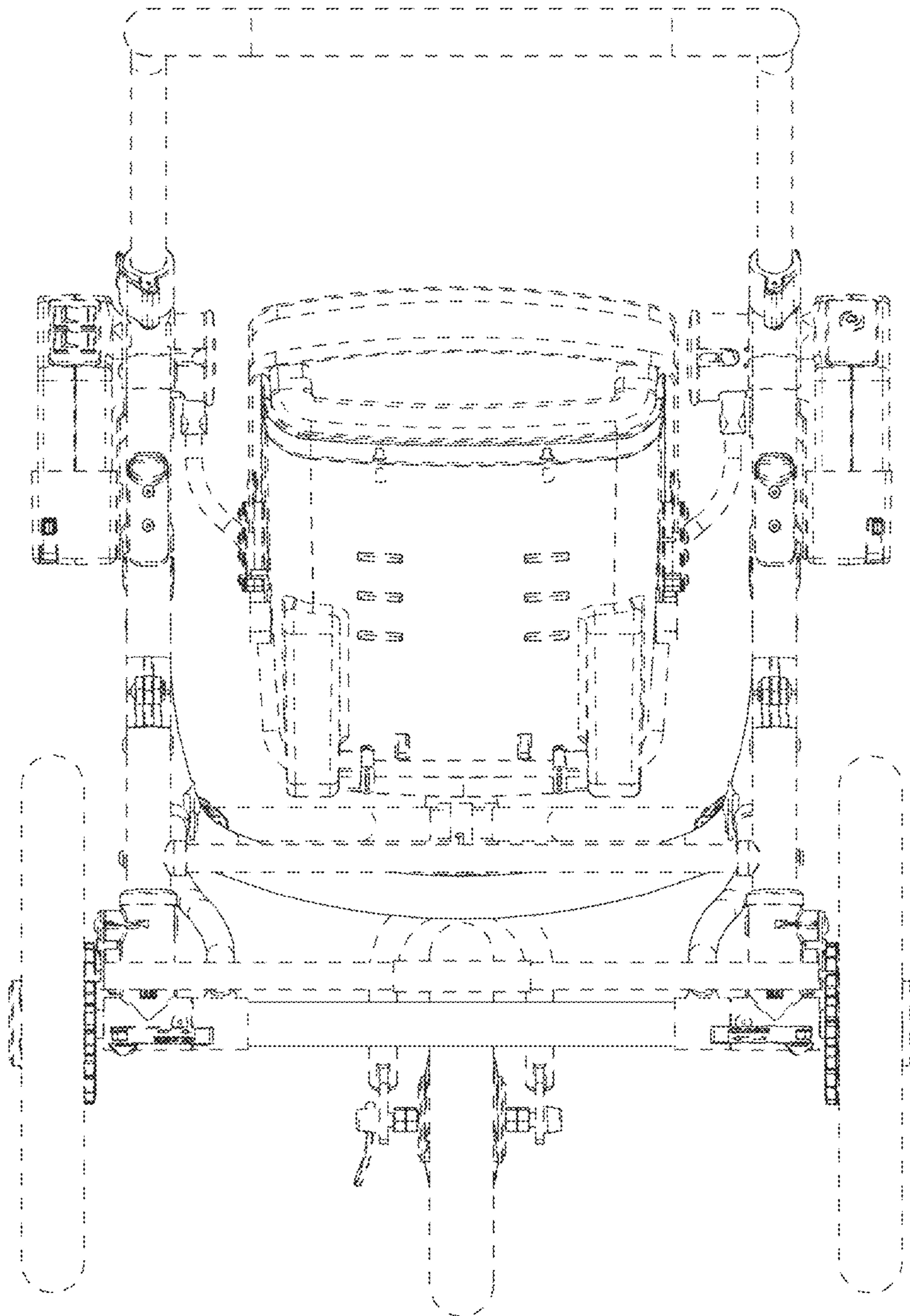


FIG. 5

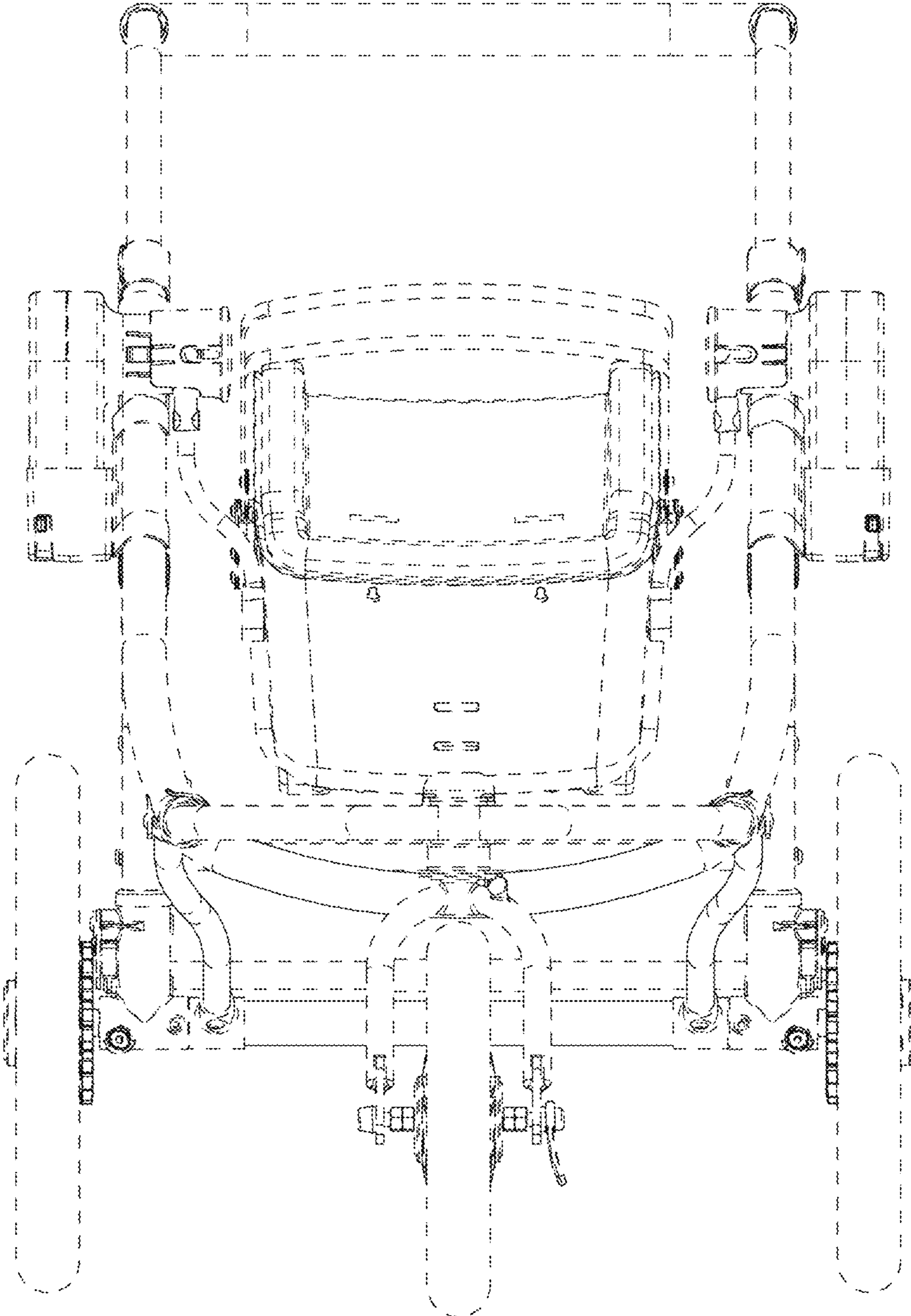


FIG. 6

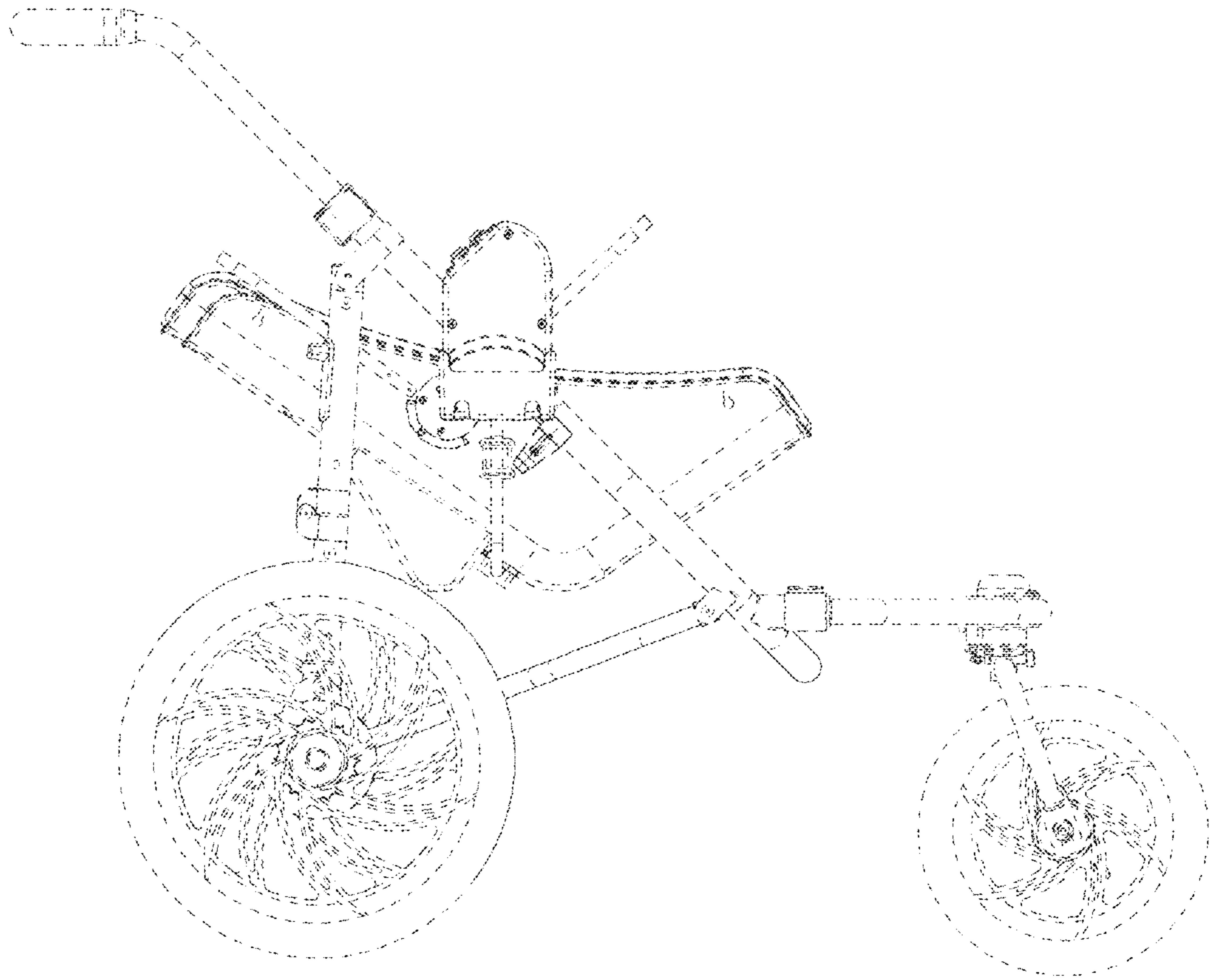


FIG. 7

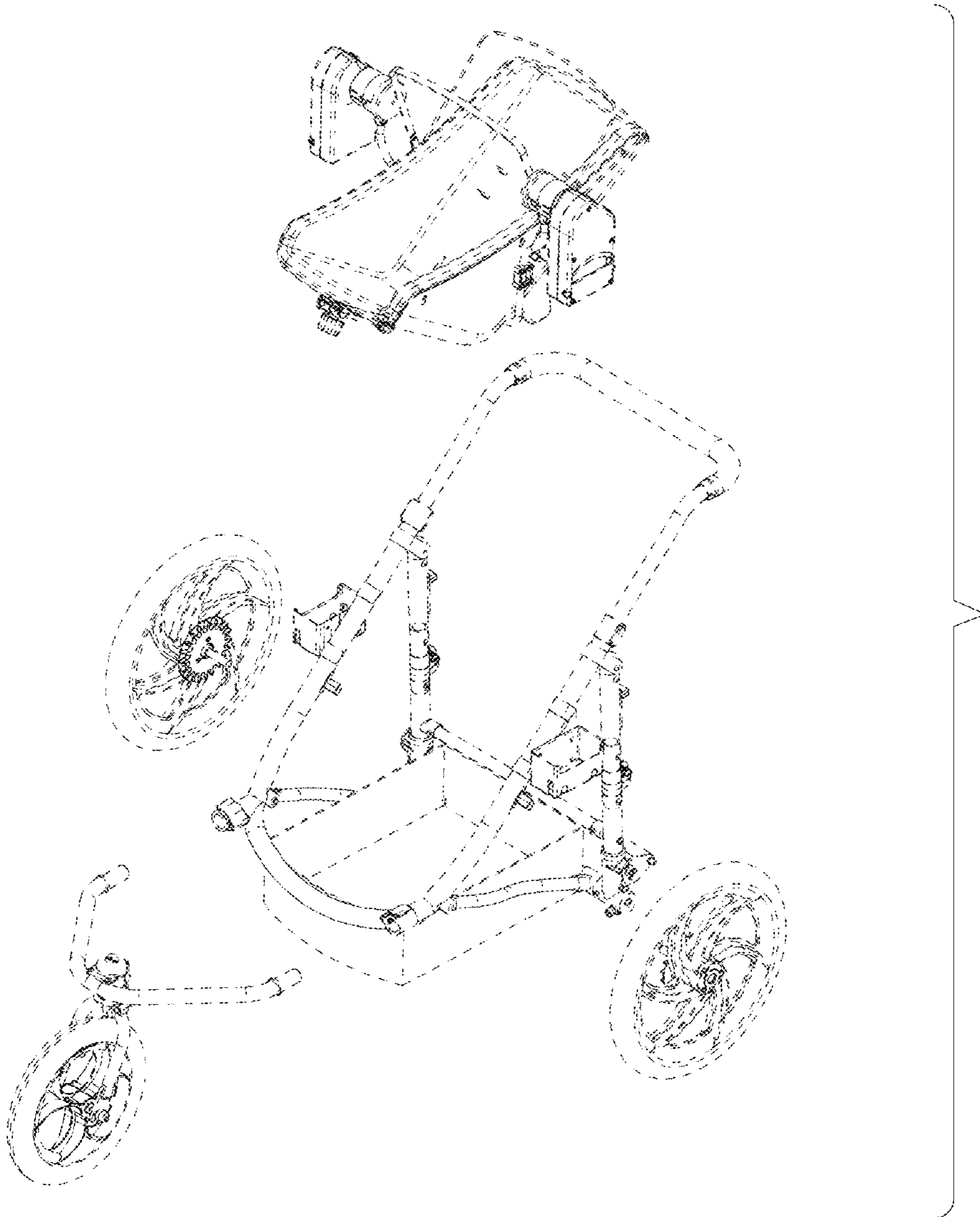


FIG. 8