



US00D743303S

(12) **United States Design Patent**
Huang et al.

(10) **Patent No.:** **US D743,303 S**

(45) **Date of Patent:** **** Nov. 17, 2015**

(54) **VEHICLE**

(71) Applicant: **Great Wall Motor Company Limited**,
Baoding, Hebei Pro. (CN)

(72) Inventors: **Yong Huang**, Baoding (CN); **Qingsong Shi**, Baoding (CN); **Wenbin Su**, Baoding (CN); **Hui Zhang**, Baoding (CN); **Chunxin Xu**, Baoding (CN); **Jiaming Zhang**, Baoding (CN); **Yudong Dong**, Baoding (CN); **Yanqing Yang**, Baoding (CN); **Wenchao Deng**, Baoding (CN); **Ying Qi**, Baoding (CN)

(73) Assignee: **Great Wall Motor Company Limited**,
Baoding (CN)

(**) Term: **14 Years**

(21) Appl. No.: **29/506,102**

(22) Filed: **Oct. 13, 2014**

(30) **Foreign Application Priority Data**

Apr. 15, 2014 (CN) 2014 3 0089409

(51) **LOC (10) CL.** **12-08**

(52) **U.S. CL.**
USPC **D12/91**

(58) **Field of Classification Search**
USPC D12/86, 90-92; D21/421, 433, 434;
296/181.1, 181.5
CPC B62D 35/00; B62D 25/00; B62D 25/06;
B62D 33/00
See application file for complete search history.

(56) **References Cited**

U.S. PATENT DOCUMENTS

D538,710 S * 3/2007 Hsu D12/91
D592,550 S * 5/2009 Lawlis D12/91
D605,978 S * 12/2009 Wolff et al. D12/91

D619,500 S * 7/2010 Hsu et al. D12/91
D634,671 S * 3/2011 Huang et al. D12/91
D637,109 S * 5/2011 Muller D12/91
D645,787 S * 9/2011 Tokano et al. D12/91
D646,204 S * 10/2011 Tokano D12/91
D664,897 S * 8/2012 Ramaciotti D12/91
D671,033 S * 11/2012 Fetherston et al. D12/91
D676,360 S * 2/2013 Ohkoshi et al. D12/91
D683,264 S * 5/2013 Kanazawa et al. D12/91
D684,092 S * 6/2013 Lee D12/91
D685,678 S * 7/2013 Koo D12/91
D686,532 S * 7/2013 Lamm D12/91
D686,949 S * 7/2013 Minami D12/91
D689,795 S * 9/2013 Takei et al. D12/91
D692,798 S * 11/2013 Thurber D12/91
D696,979 S * 1/2014 Dyson D12/92
D697,834 S * 1/2014 Okue et al. D12/91
D698,281 S * 1/2014 Badstuebner et al. D12/91
D699,629 S * 2/2014 Ikeda et al. D12/91
D703,583 S * 4/2014 Howell et al. D12/91
D706,171 S * 6/2014 Bischoff et al. D12/91
D709,800 S * 7/2014 Cartabiano et al. D12/91
D711,784 S * 8/2014 Galante et al. D12/91
D712,790 S * 9/2014 Scheinhutte D12/92
D719,487 S * 12/2014 Asai et al. D12/91
D733,004 S * 6/2015 Huang et al. D12/91

* cited by examiner

Primary Examiner — Melody N Brown

(74) *Attorney, Agent, or Firm* — Volpe and Koenig, P.C.

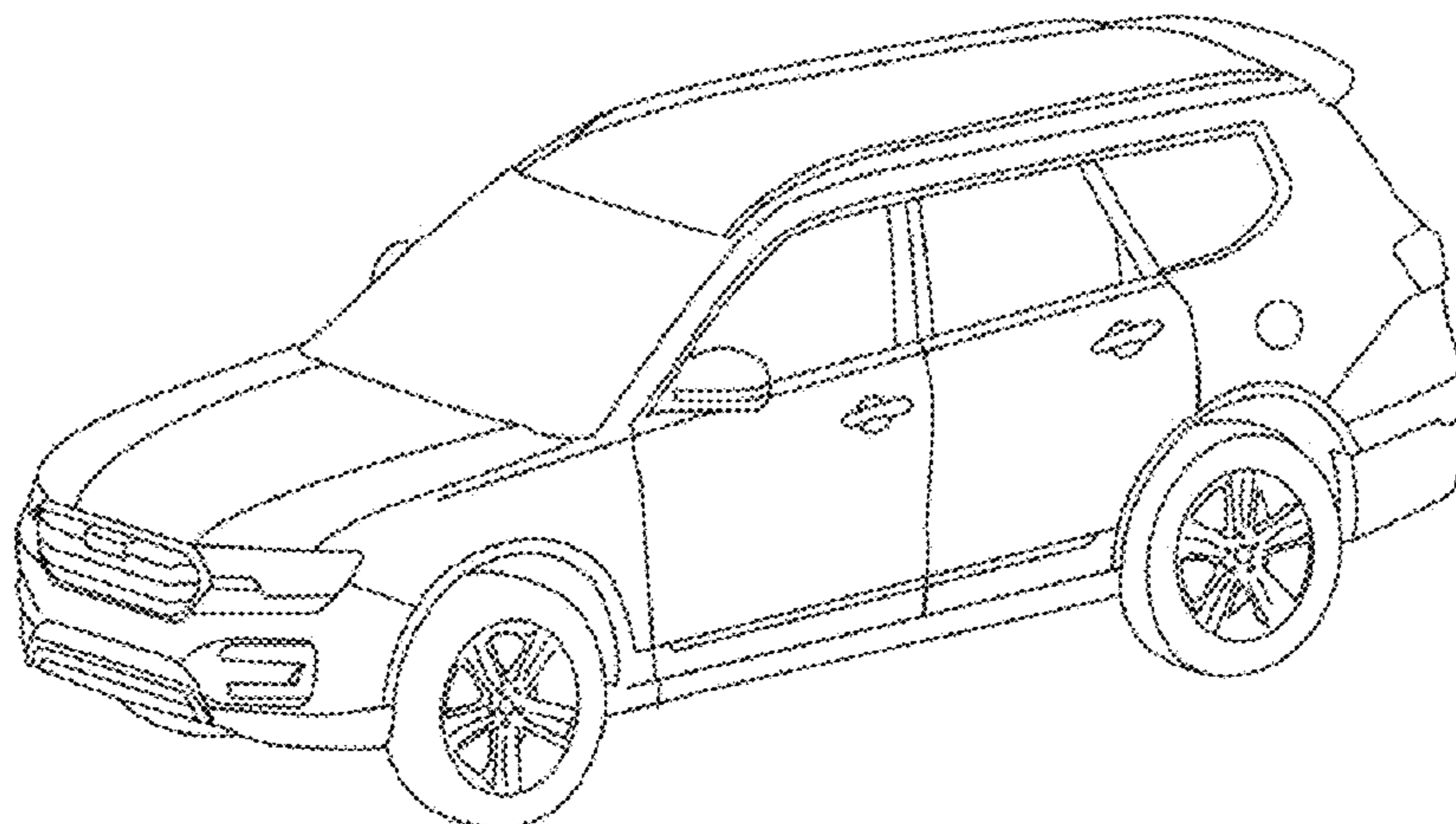
(57) **CLAIM**

The ornamental design for a vehicle, as shown and described.

DESCRIPTION

FIG. 1 is a perspective view of a vehicle showing our new design;
FIG. 2 is another perspective view of the vehicle in FIG. 1;
FIG. 3 is a front view of the vehicle in FIG. 1;
FIG. 4 is a rear view of the vehicle in FIG. 1;
FIG. 5 is a left side view of the vehicle in FIG. 1;
FIG. 6 is a right side view of the vehicle in FIG. 1; and,
FIG. 7 is a top view of the vehicle in FIG. 1.

1 Claim, 3 Drawing Sheets



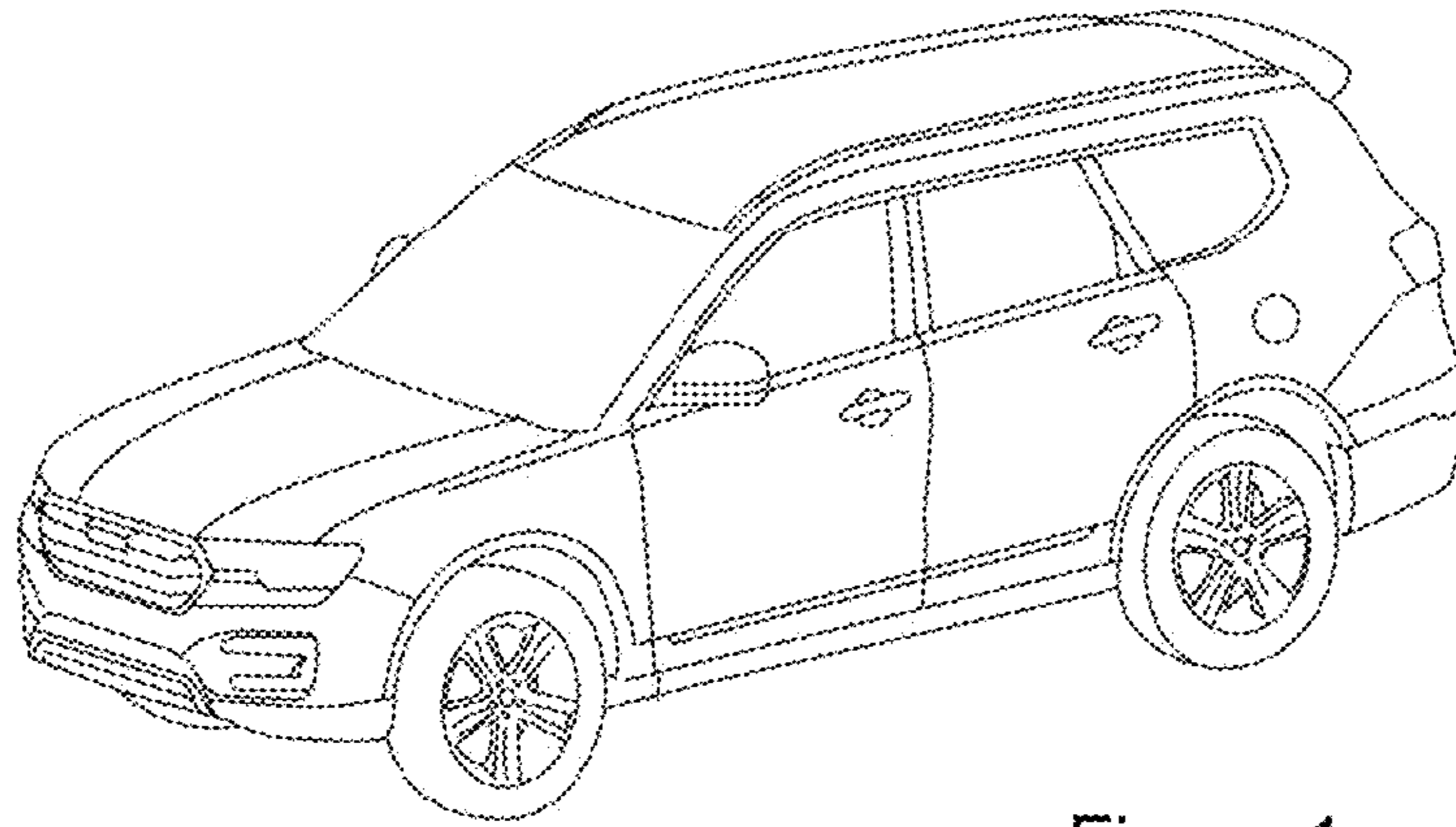


Figure 1

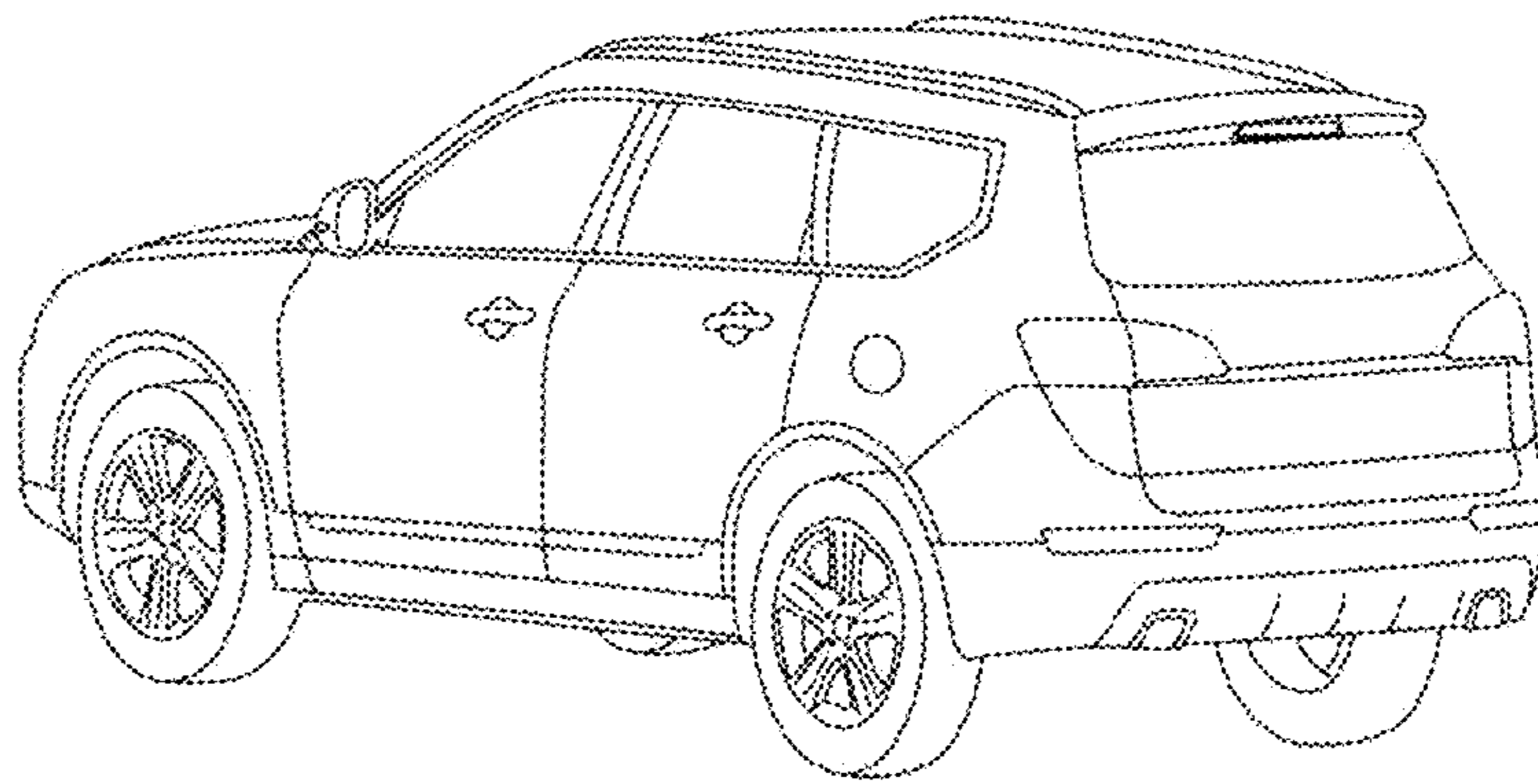


Figure 2

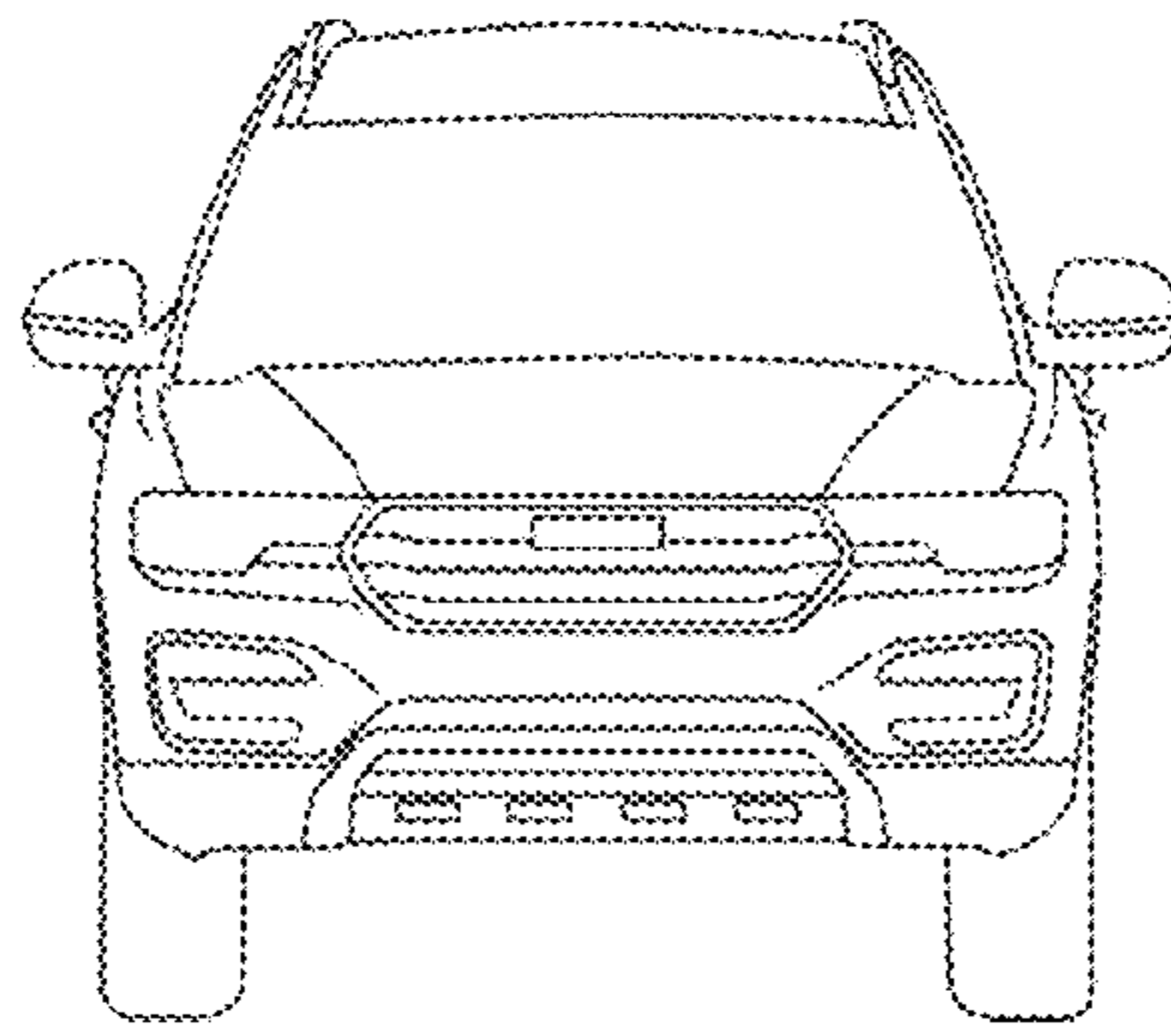


Figure 3

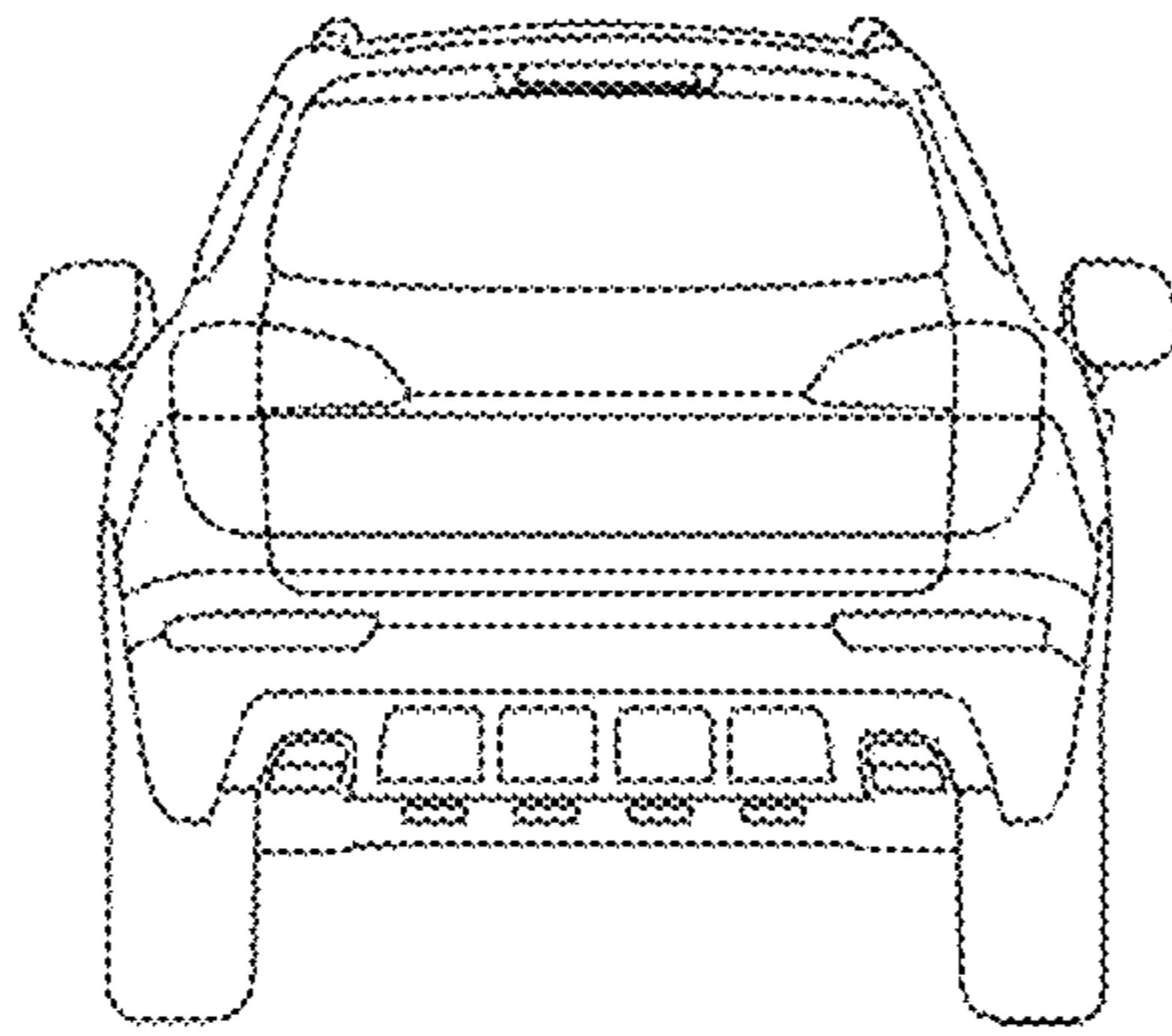


Figure 4

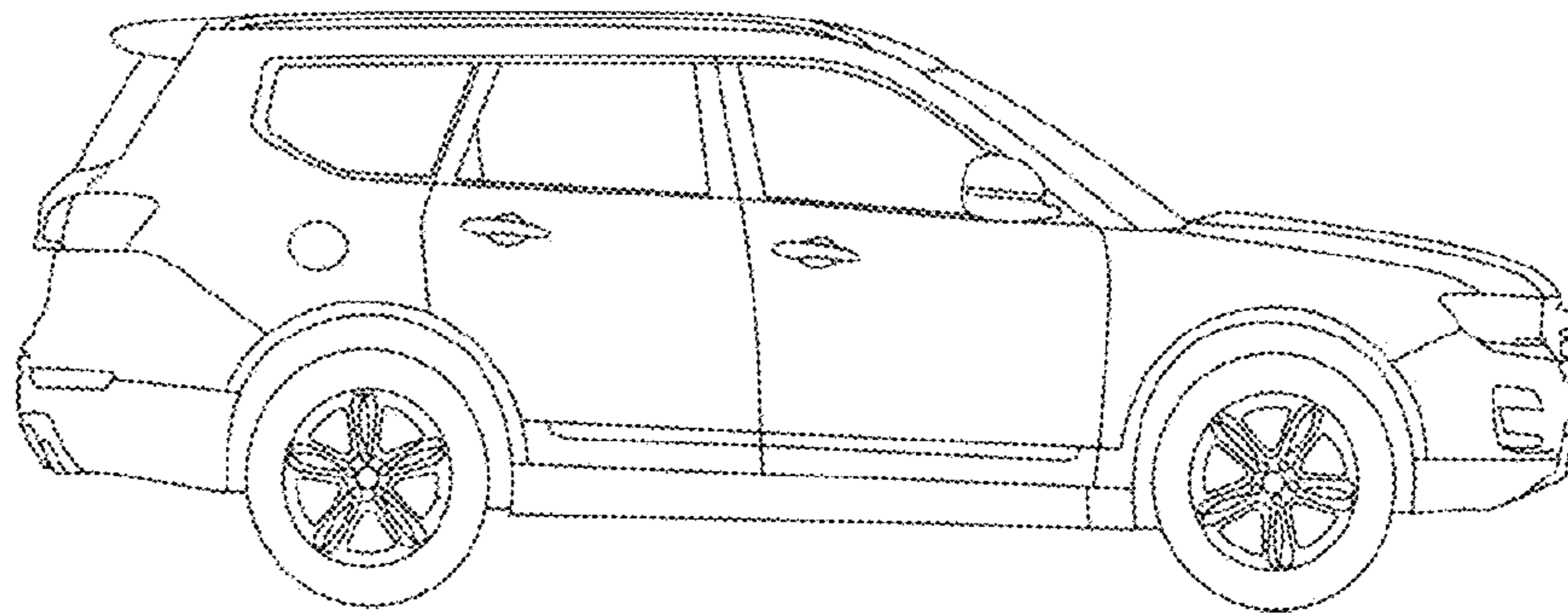


Figure 5

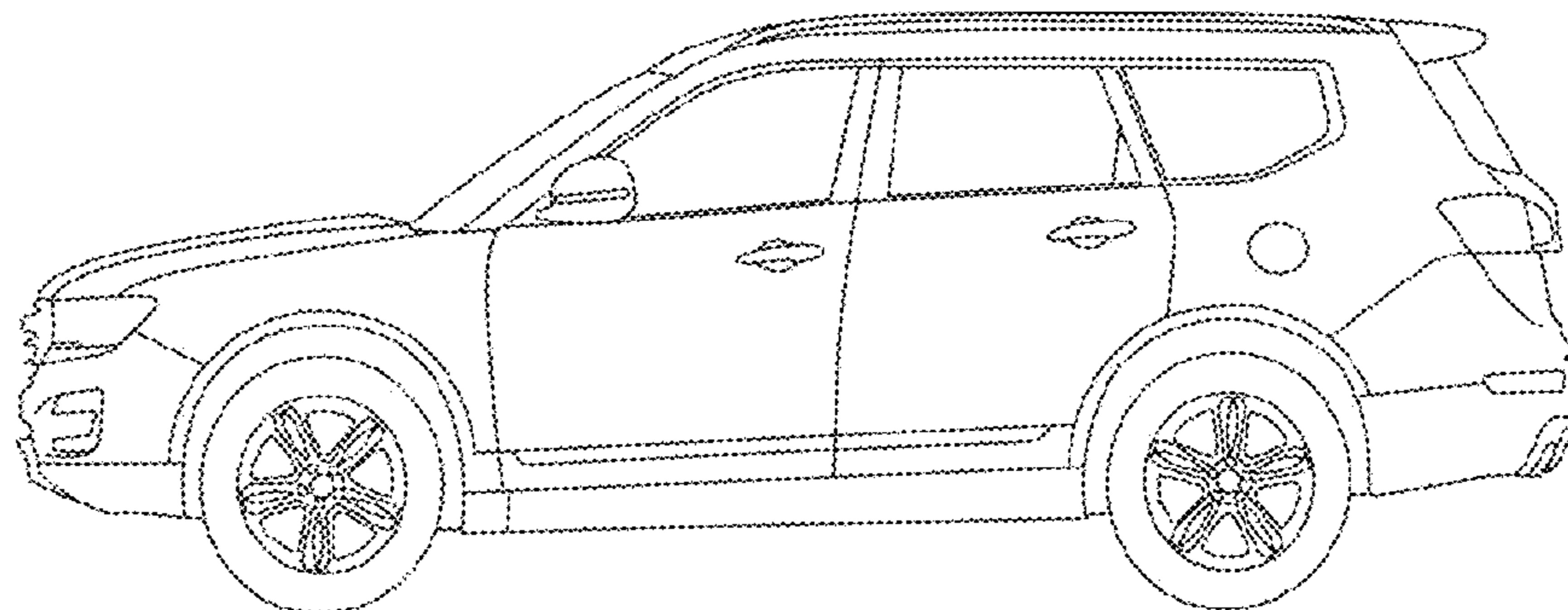


Figure 6

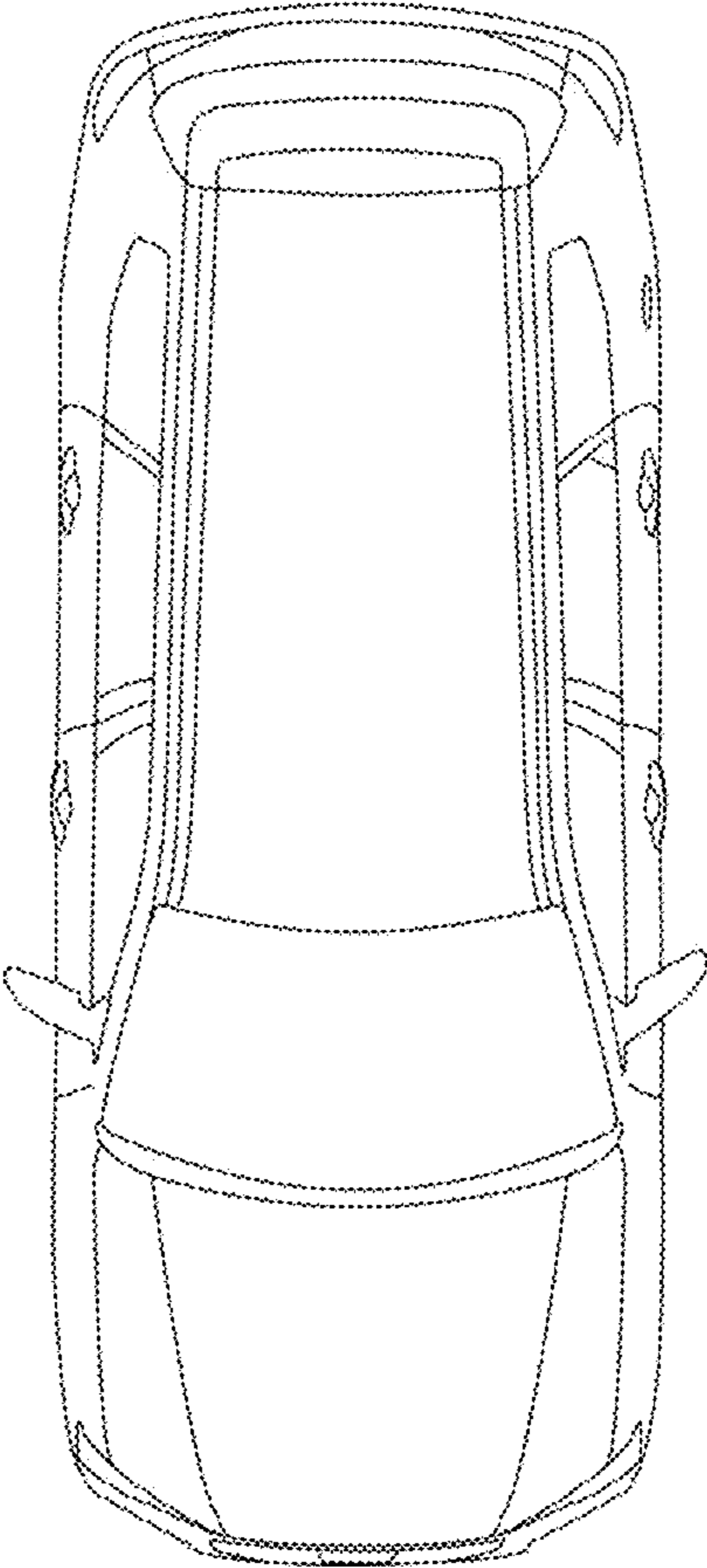


Figure 7

UNITED STATES PATENT AND TRADEMARK OFFICE
CERTIFICATE OF CORRECTION

PATENT NO. : D743,303 S
APPLICATION NO. : 29/506102
DATED : November 17, 2015
INVENTOR(S) : Yong Huang et al.

Page 1 of 1

It is certified that error appears in the above-identified patent and that said Letters Patent is hereby corrected as shown below:

Title page, item 71, Line 2, after “Baoding” insert -- City --.

Title page, item 72, Line 1, after “Baoding” insert -- City --.

72, line 2, after “Baoding” insert -- City --.

72, line 3, after “Baoding” insert -- City -- (both occurrences).

72, line 4, after “Baoding” insert -- City --.

72, line 5, after “Baoding” insert -- City --.

72, line 6, after “Baoding” insert -- City --.

72, line 7, after “Baoding” insert -- City -- (both occurrences).

72, line 8, after “Baoding” insert -- City --.

Title page, item 73, line 2, delete “Boading” and insert in its place -- Baoding City --.

Signed and Sealed this
Twenty-eighth Day of June, 2016



Michelle K. Lee
Director of the United States Patent and Trademark Office