



US00D743302S

(12) **United States Design Patent**
Weiner et al.

(10) **Patent No.:** **US D743,302 S**
(45) **Date of Patent:** **** Nov. 17, 2015**

- (54) **VEHICLE**
- (71) Applicant: **Domino's IP Holder LLC**, Ann Arbor, MI (US)
- (72) Inventors: **Russell Weiner**, Ann Arbor, MI (US);
Donald M. Trostle, Plymouth, MI (US)
- (73) Assignee: **Domino's IP Holder LLC**, Ann Arbor, MI (US)
- (**) Term: **14 Years**
- (21) Appl. No.: **29/492,377**

| | | | | |
|-----------------|---------|-----------------|-------|--------|
| D711,783 S * | 8/2014 | Badstuebner | | D12/91 |
| D712,327 S | 9/2014 | Tanaka et al. | | |
| D712,813 S | 9/2014 | Tanaka et al. | | |
| D714,190 S * | 9/2014 | Kim | | D12/91 |
| D714,700 S | 10/2014 | Yamamoto | | |
| D715,204 S | 10/2014 | Peltola et al. | | |
| D716,210 S | 10/2014 | Ishikawa et al. | | |
| D716,710 S | 11/2014 | Setina | | |
| D719,875 S * | 12/2014 | Jang | | D12/91 |
| D719,884 S | 12/2014 | Peltola et al. | | |
| D720,267 S | 12/2014 | Norman et al. | | |
| D721,023 S | 1/2015 | Wiedeman et al. | | |
| D722,933 S | 2/2015 | Ishikawa et al. | | |
| D726,082 S | 4/2015 | Finney et al. | | |
| 2005/0052045 A1 | 3/2005 | Juzwiak | | |

- (22) Filed: **May 30, 2014**
- (51) **LOC (10) Cl.** **12-08**
- (52) **U.S. Cl.**
USPC **D12/91**
- (58) **Field of Classification Search**
USPC D12/86, 90-92; D21/421, 433, 434;
296/181.1, 181.5
CPC B62D 35/00; B62D 25/00; B62D 25/06;
B62D 25/08; B62D 33/00
See application file for complete search history.

OTHER PUBLICATIONS

U.S. Application and Drawings for U.S. Appl. No. 14/291,938, entitled "Vehicle With Upwardly Movable Door", filed May 30, 2014, 18 pages.
U.S. Design Application and Drawings for Design U.S. Appl. No. 29/492,378, entitled "Vehicle Door", filed May 30, 2014, 8 pages.
<http://www.chevrolet.com/2013-spark-mini-car/exterior-pictures.html>, "2013 Chevy Spark Exterior Photos", Jun. 9, 2014, 20 pages.

* cited by examiner

Primary Examiner — Melody N Brown
(74) *Attorney, Agent, or Firm* — Brooks Kushman P.C.

(56) **References Cited**

U.S. PATENT DOCUMENTS

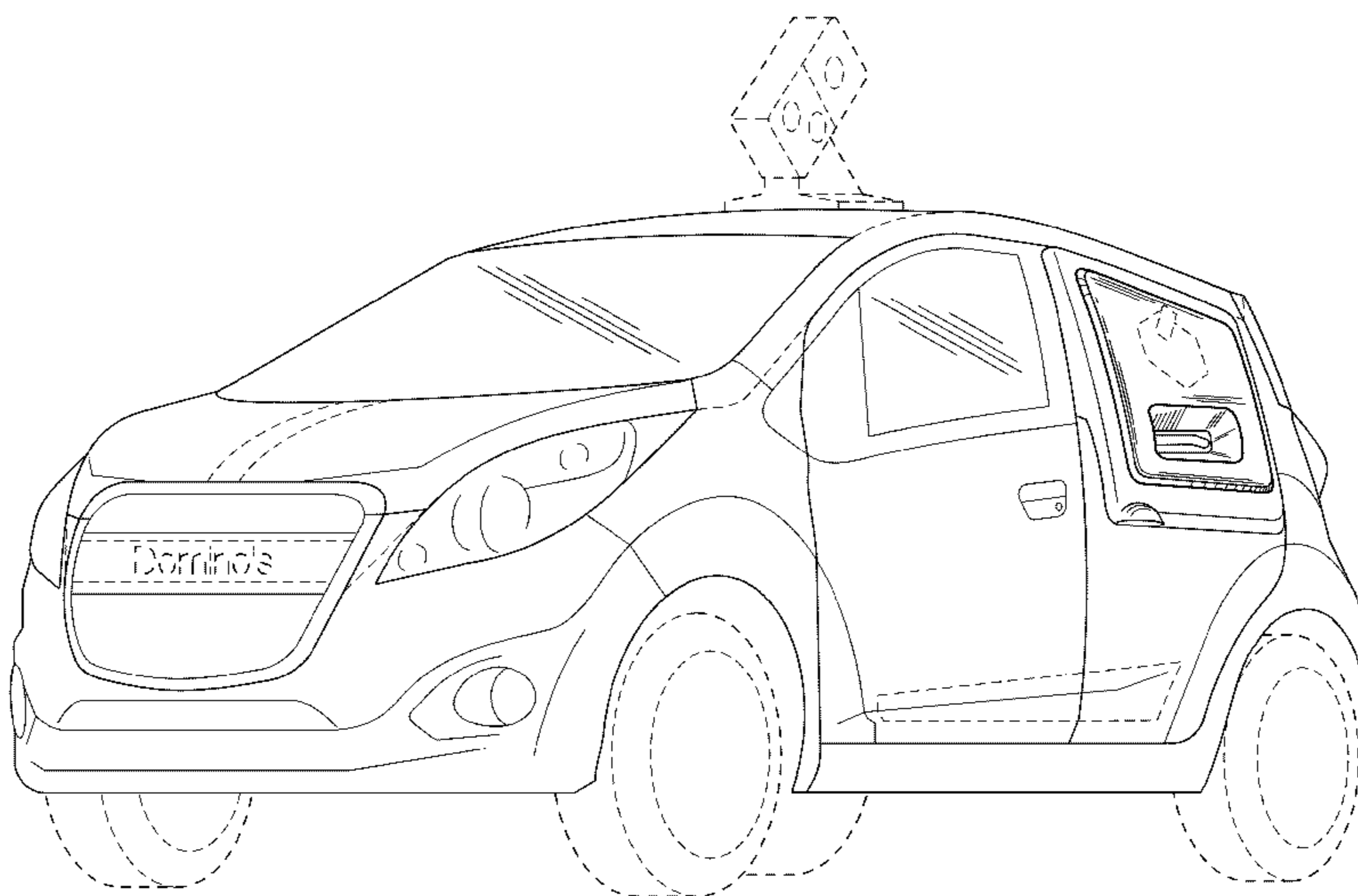
| | | | | |
|--------------|---------|---------------------|-------|--------|
| 5,378,036 A | 1/1995 | Townsend | | |
| 5,524,960 A | 6/1996 | Townsend | | |
| 5,918,926 A | 7/1999 | Townsend | | |
| 5,921,611 A | 7/1999 | Townsend | | |
| 7,578,540 B2 | 8/2009 | Houtveen | | |
| 7,744,035 B2 | 6/2010 | Saint-Jalmes et al. | | |
| 7,857,402 B2 | 12/2010 | Anikhindi et al. | | |
| 7,871,138 B2 | 1/2011 | Anikhindi et al. | | |
| 8,033,055 B2 | 10/2011 | Oberheide et al. | | |
| 8,132,846 B2 | 3/2012 | Kitayama et al. | | |
| 8,308,221 B2 | 11/2012 | Kitayama et al. | | |
| 8,328,270 B2 | 12/2012 | Kitayama et al. | | |
| D687,739 S * | 8/2013 | Roura et al. | | D12/91 |
| D688,978 S * | 9/2013 | Badstuebner | | D12/91 |
| D698,697 S * | 2/2014 | Winkelmann et al. | | D12/91 |

(57) **CLAIM**
The ornamental design for a vehicle, as shown and described.

DESCRIPTION

FIG. 1 is a right, front perspective view of a vehicle showing our new design;
FIG. 2 is a left, front perspective view thereof;
FIG. 3 is a right side perspective view thereof;
FIG. 4 is rear elevation view thereof; and,
FIG. 5 is a left, rear perspective view thereof.
The broken lines are for illustrative purposes only and form no part of the claimed design.

1 Claim, 5 Drawing Sheets



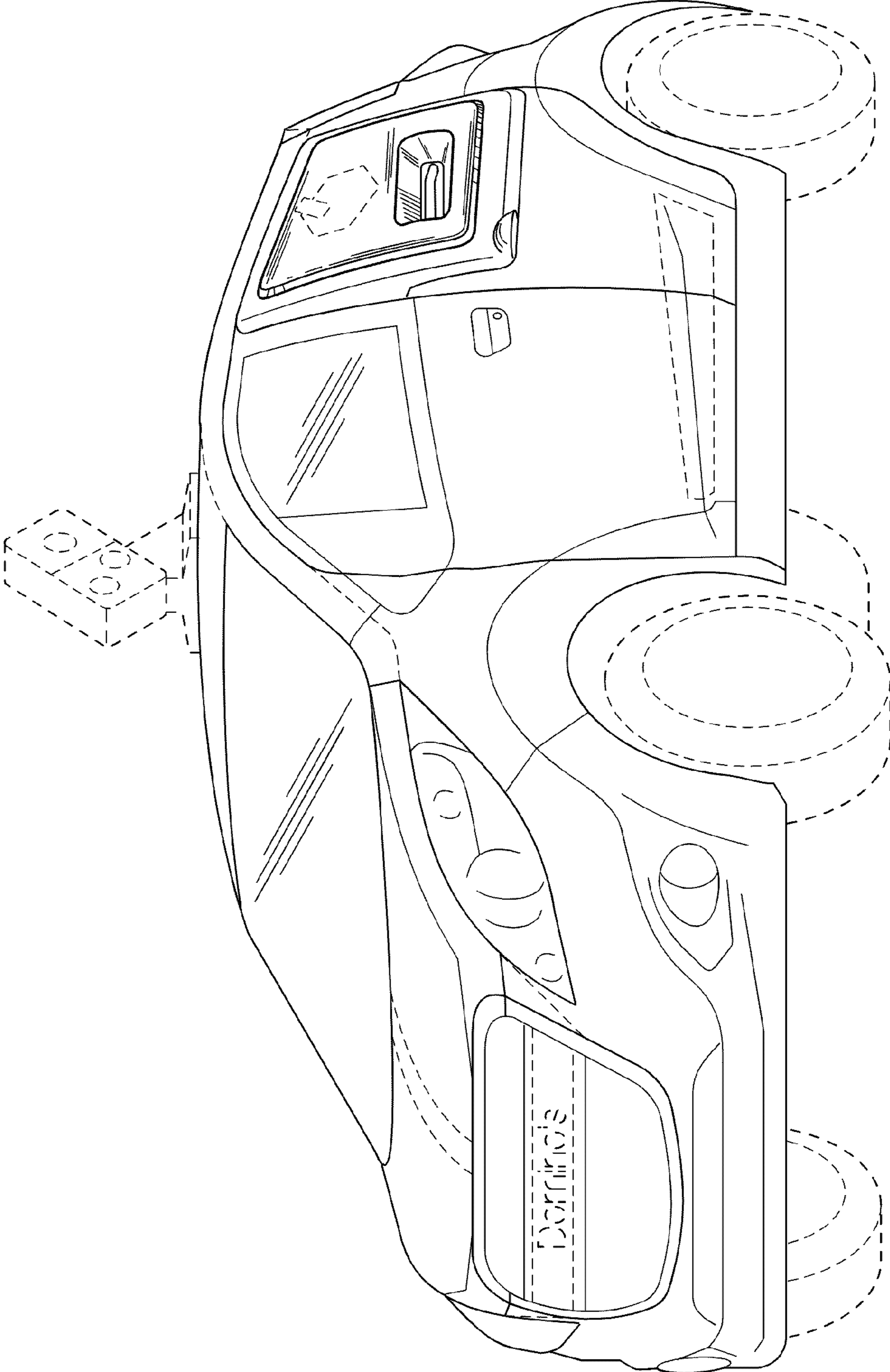


FIG. 1

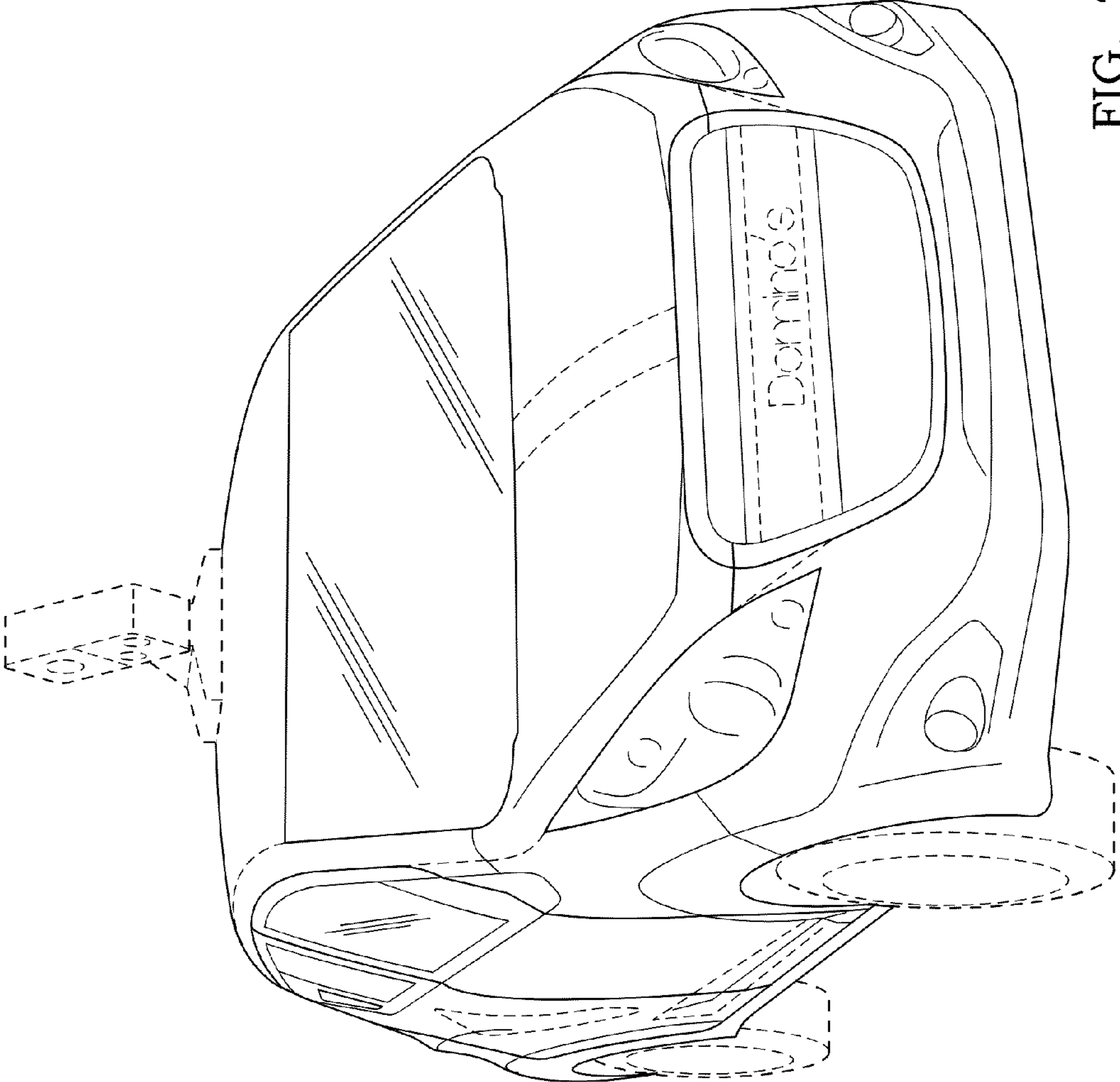


FIG. 2

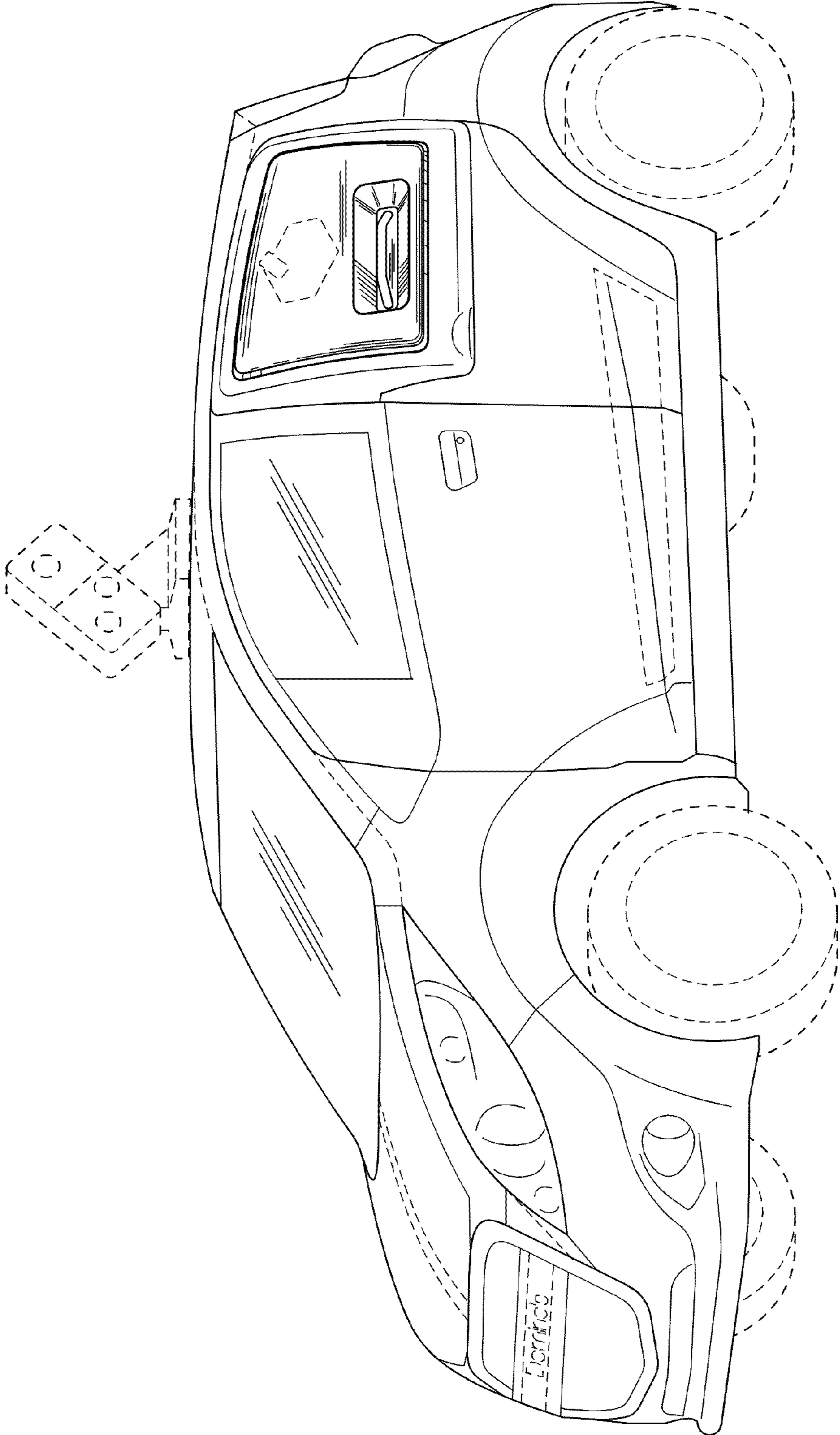


FIG. 3

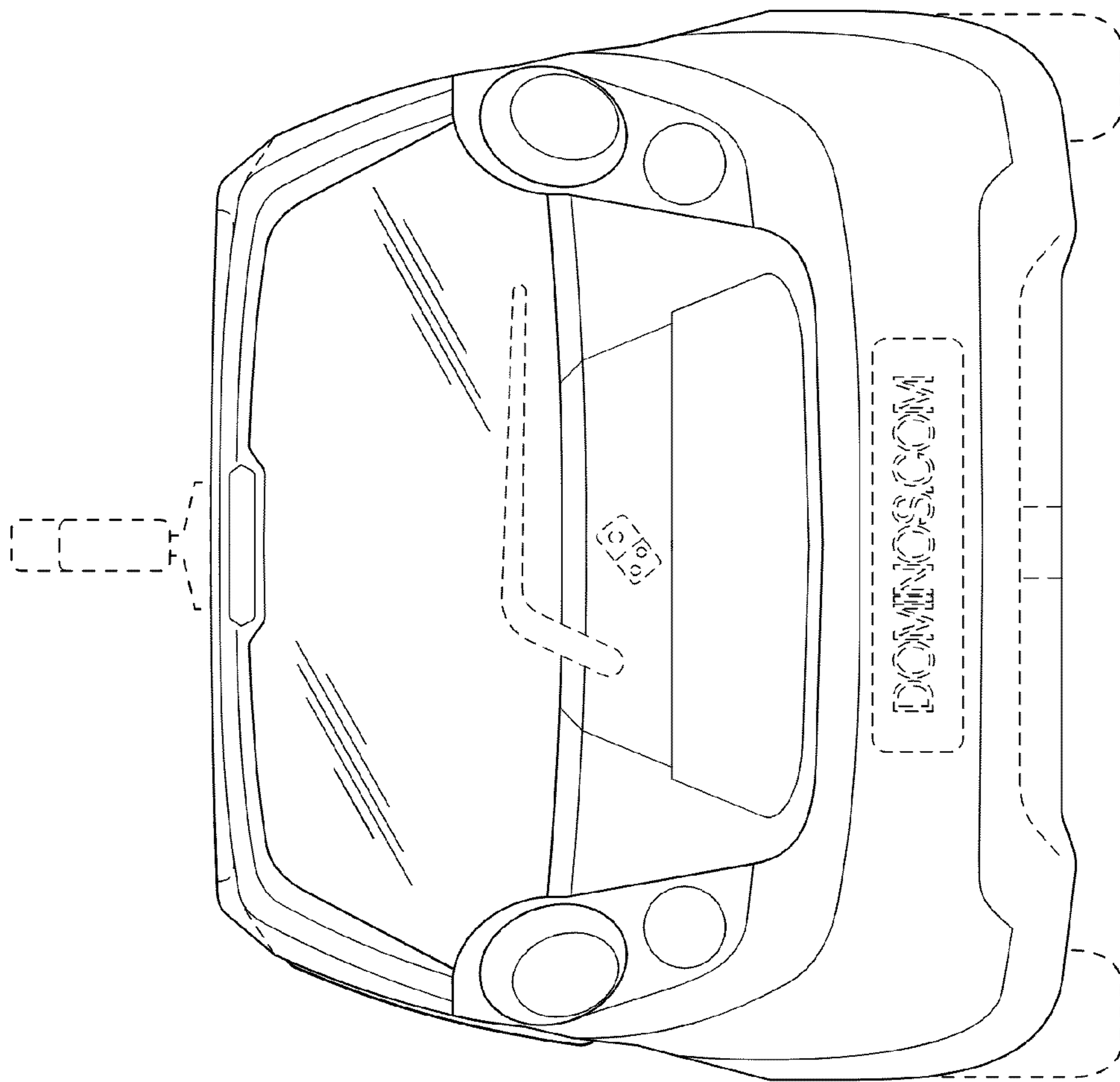


FIG. 4

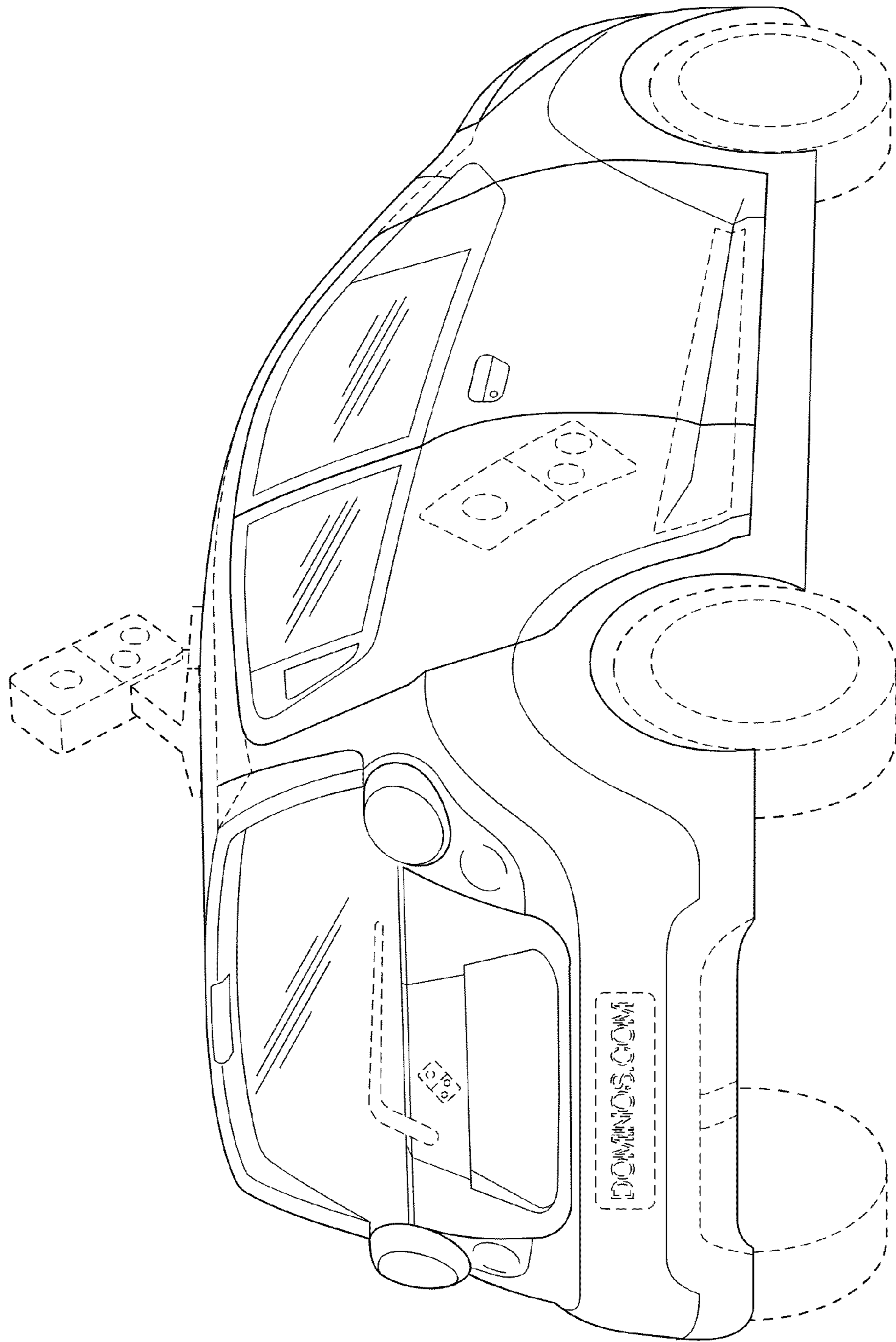


FIG. 5