



US00D743290S

(12) **United States Design Patent**
Welch et al.

(10) **Patent No.:** **US D743,290 S**

(45) **Date of Patent:** **** Nov. 17, 2015**

(54) **TRANSPONDER ENCLOSURE**

Primary Examiner — George D Kirschbaum

(74) *Attorney, Agent, or Firm* — Winstead PC

(71) Applicant: **Rent A Toll, Ltd.**, Carrollton, TX (US)

(72) Inventors: **Rick Welch**, Harwinton, CT (US);
Sarath K. Balachandran, Irving, TX (US);
Kyle Richard Welch, Harwinton, CT (US)

(57) **CLAIM**

The ornamental design for a transponder enclosure, as shown and described.

(73) Assignee: **ATS Tolling LLC**, Tempe, AZ (US)

(**) Term: **14 Years**

DESCRIPTION

(21) Appl. No.: **29/450,546**

(22) Filed: **Mar. 19, 2013**

(51) **LOC (10) Cl.** **10-05**

(52) **U.S. Cl.**
USPC **D10/121**

(58) **Field of Classification Search**
USPC D10/121, 104.1; D13/139.4, 112;
D16/237; D23/233; D3/230; 235/492
See application file for complete search history.

FIG. 1 is a top plan view of a transponder enclosure in accordance with the design;
FIG. 2 is a bottom plan view of the transponder enclosure in accordance with the design;
FIG. 3 is a front view of the transponder enclosure in accordance with the design;
FIG. 4 is a rear view of the transponder enclosure in accordance with the design;
FIG. 5 is a left-side view of the transponder enclosure in accordance with the design;
FIG. 6 is a right-side view of the transponder enclosure in accordance with the design;
FIG. 7 is a top left perspective view of the transponder enclosure in accordance with the design; and,
FIG. 8 is a top left perspective view of the transponder enclosure incorporating a transponder in accordance with the design.

Any broken lines present in the drawings are for illustrative purposes only and form no part of the design to be patented.

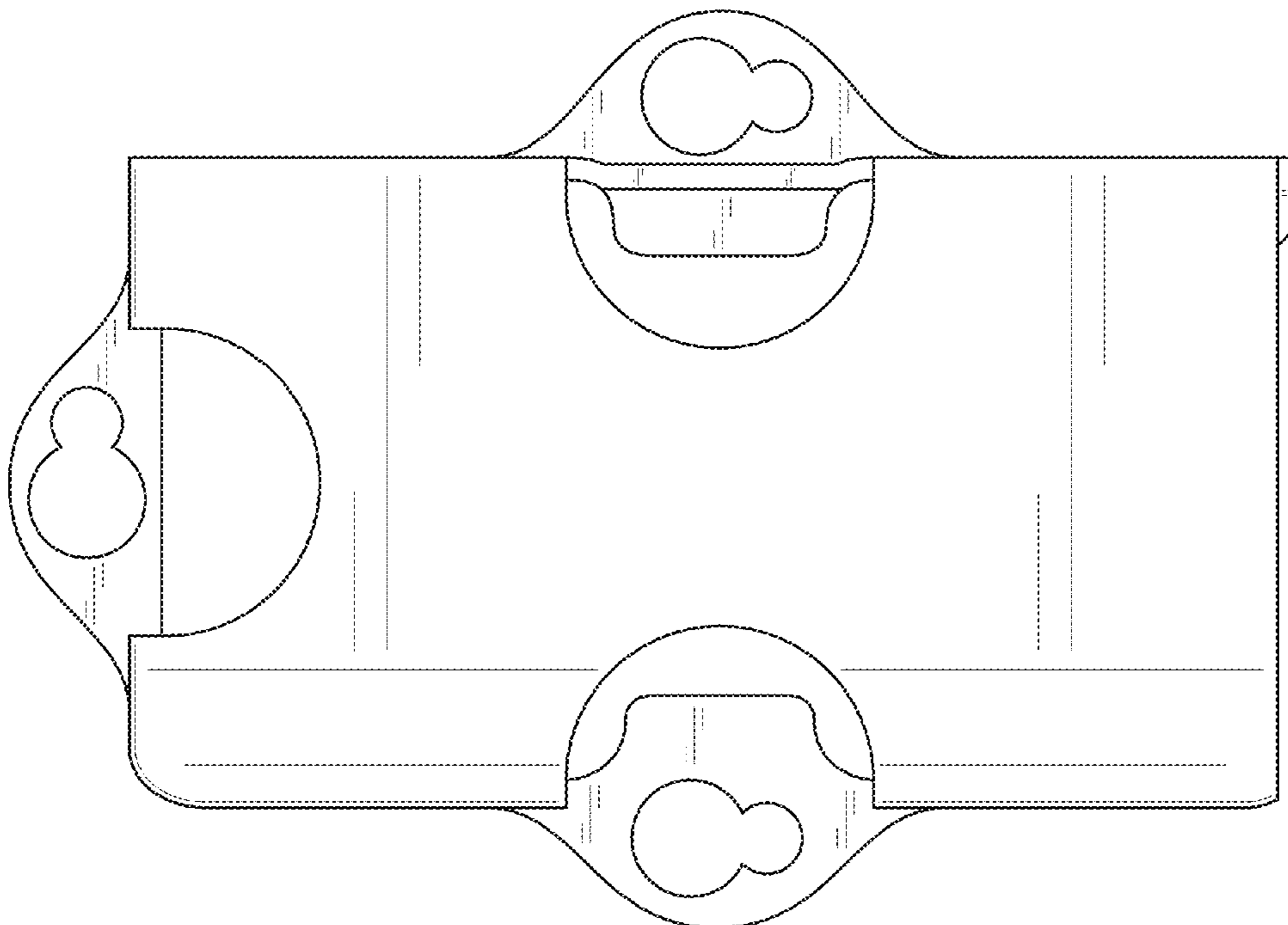
(56) **References Cited**

U.S. PATENT DOCUMENTS

D403,856 S *	1/1999	Dobbins	D3/230
D505,916 S *	6/2005	Hilton	D13/112
D535,722 S *	1/2007	Nimberger	D23/233
D704,243 S *	5/2014	Ikegame	D16/237
D728,481 S *	5/2015	Schulte	D13/139.4
2014/0117096 A1 *	5/2014	Heimlicher	235/492

* cited by examiner

1 Claim, 8 Drawing Sheets



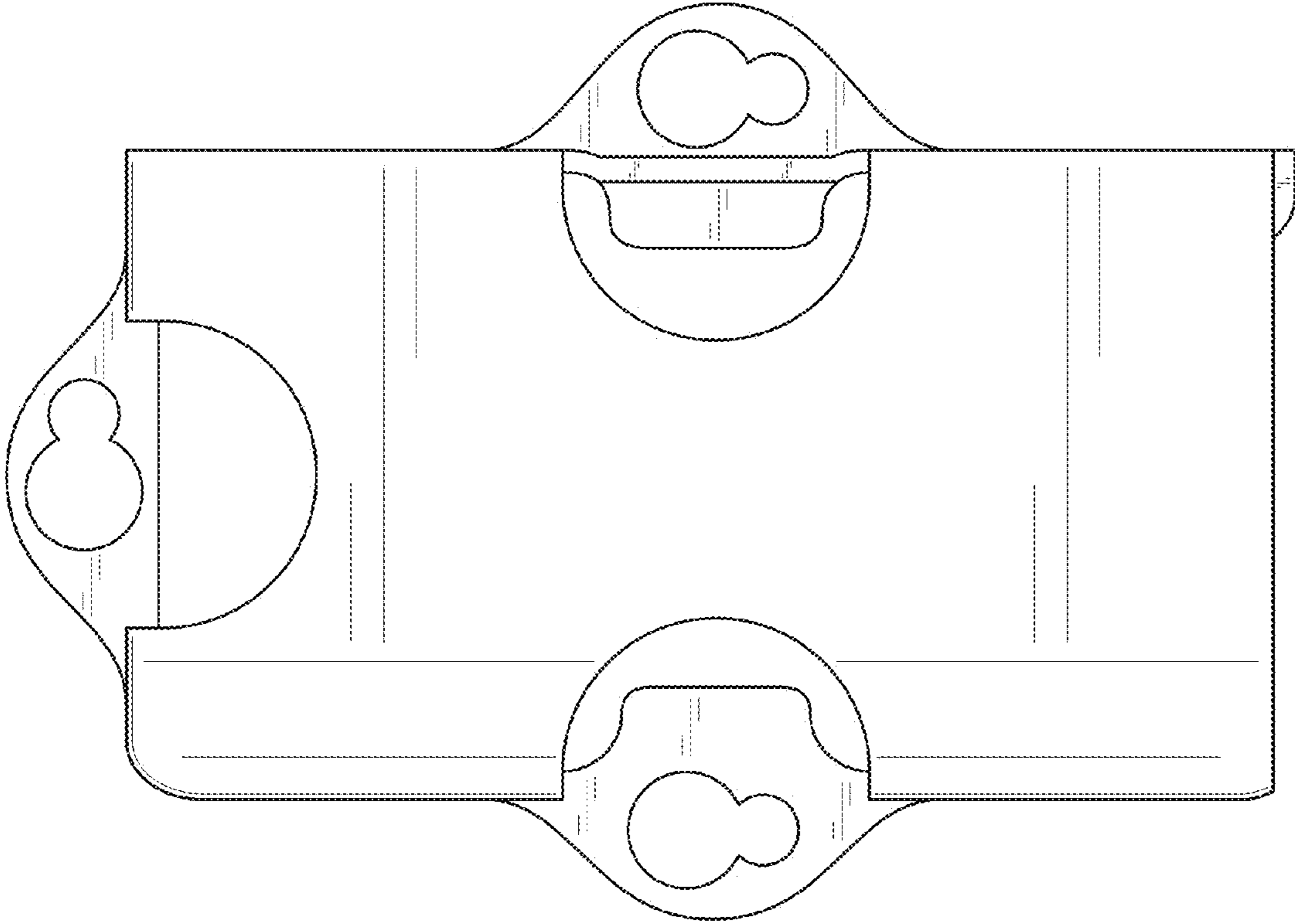


FIG. 1

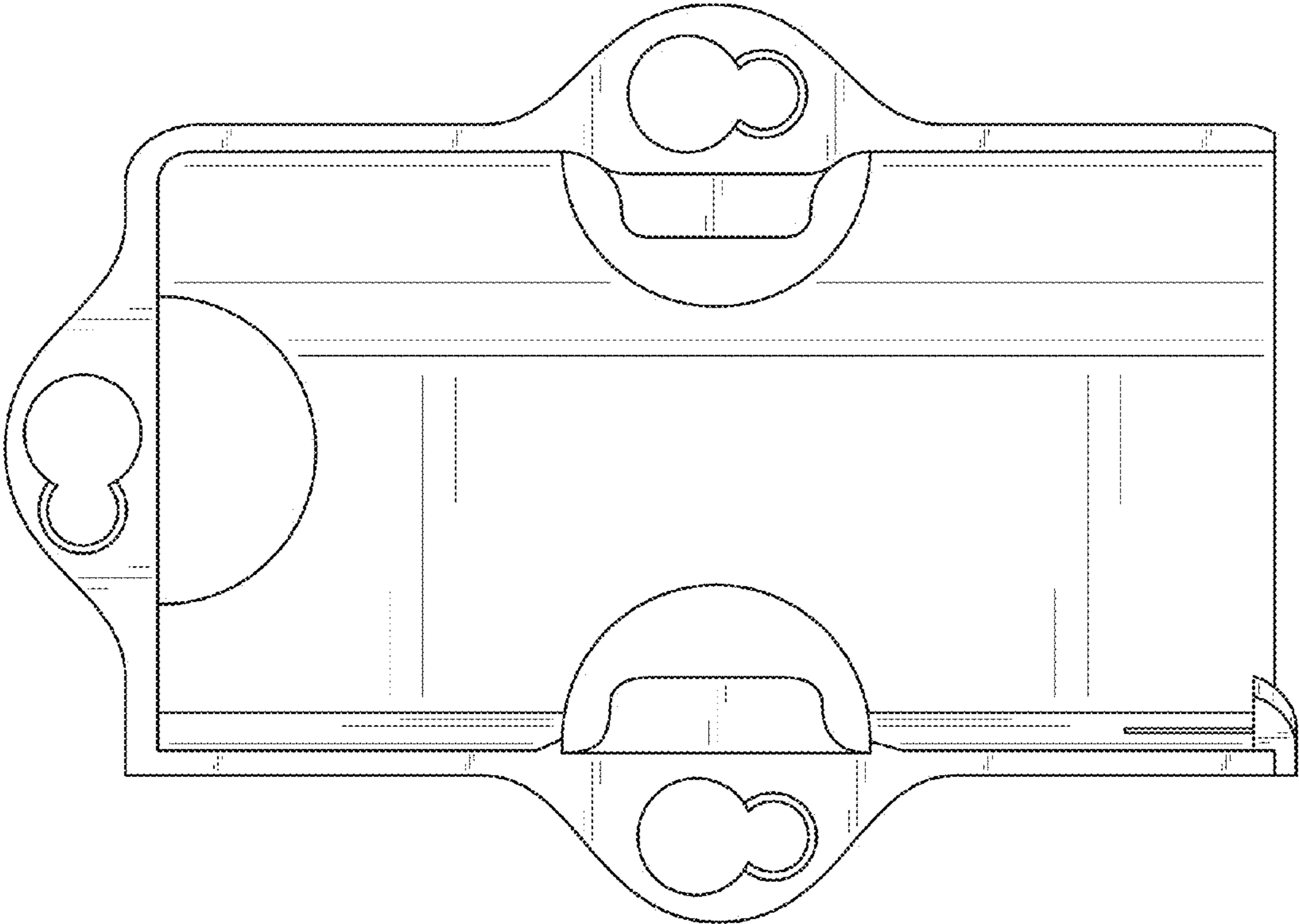


FIG. 2

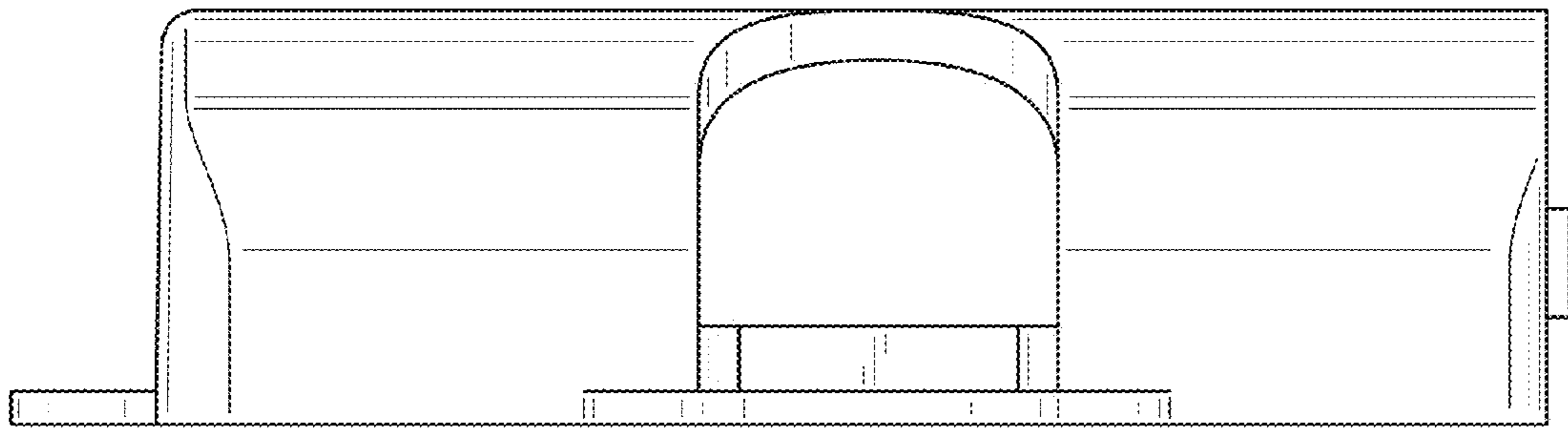


FIG. 3

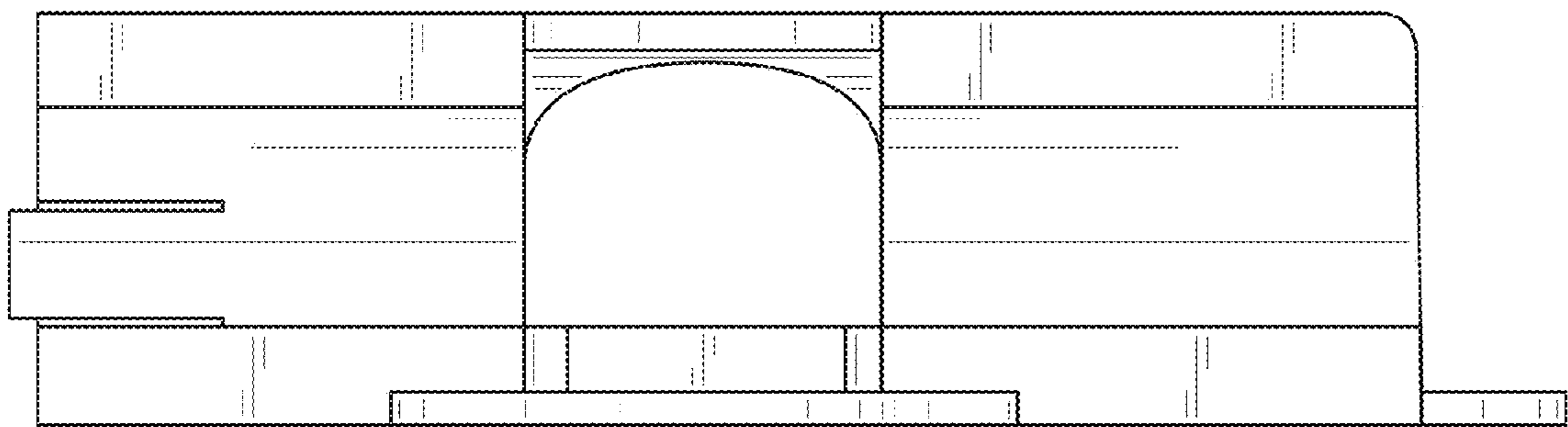


FIG. 4

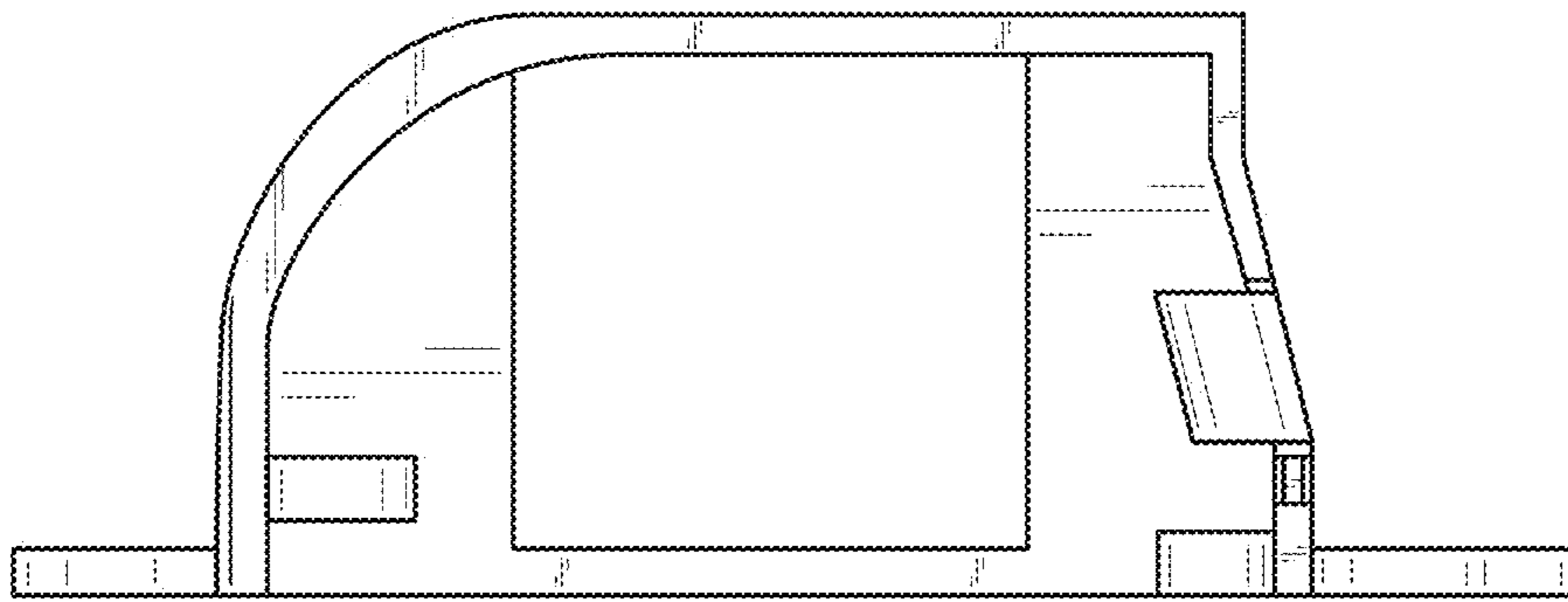


FIG. 5

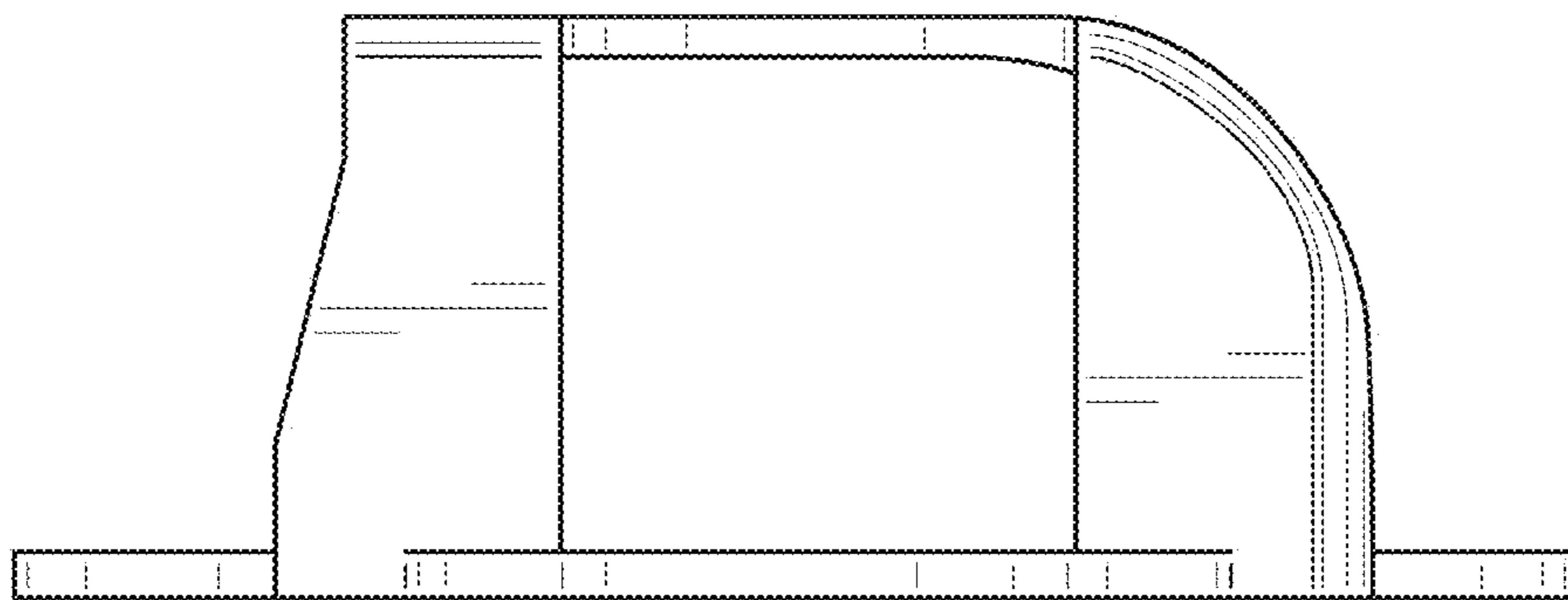


FIG. 6

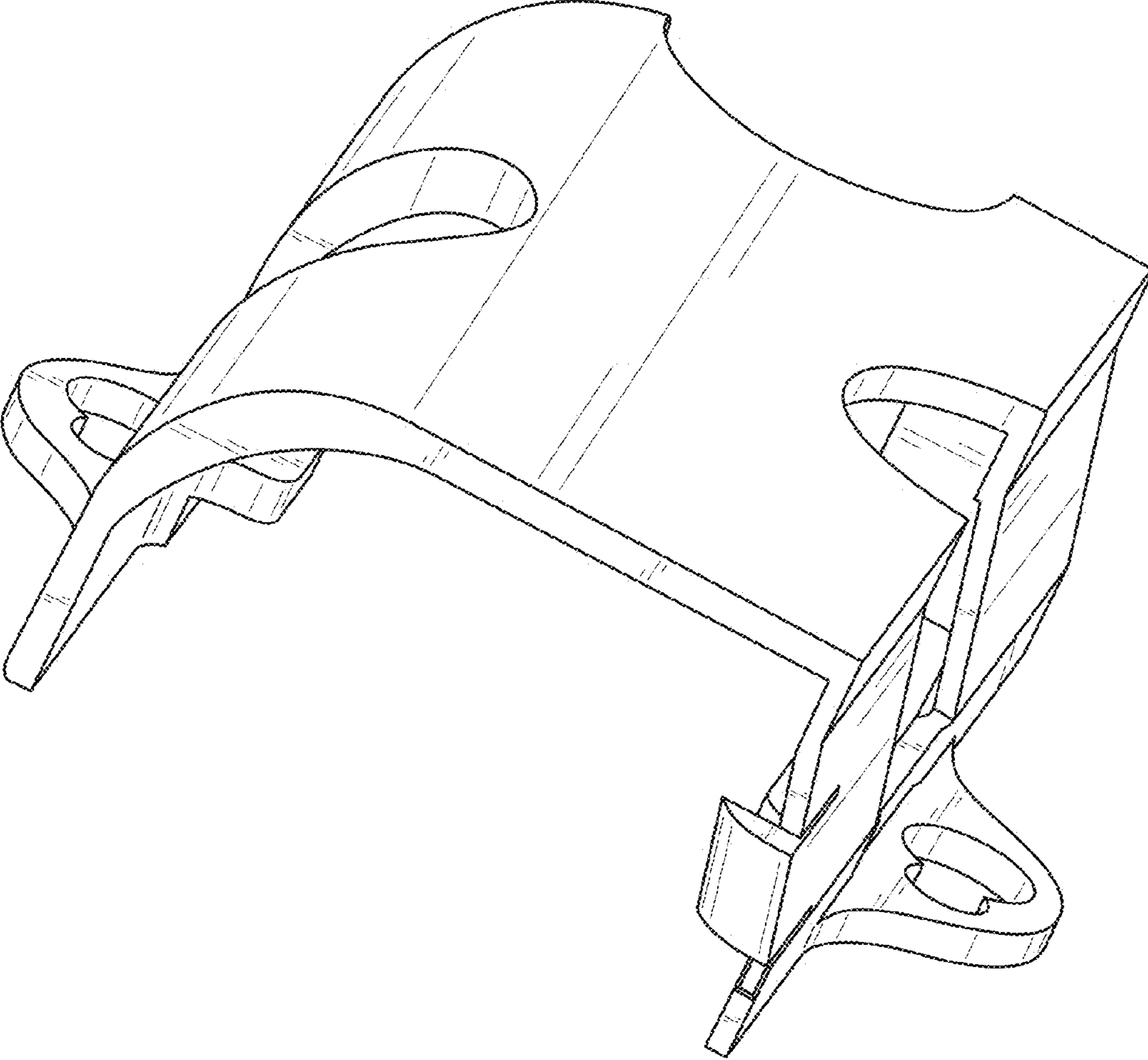


FIG. 7

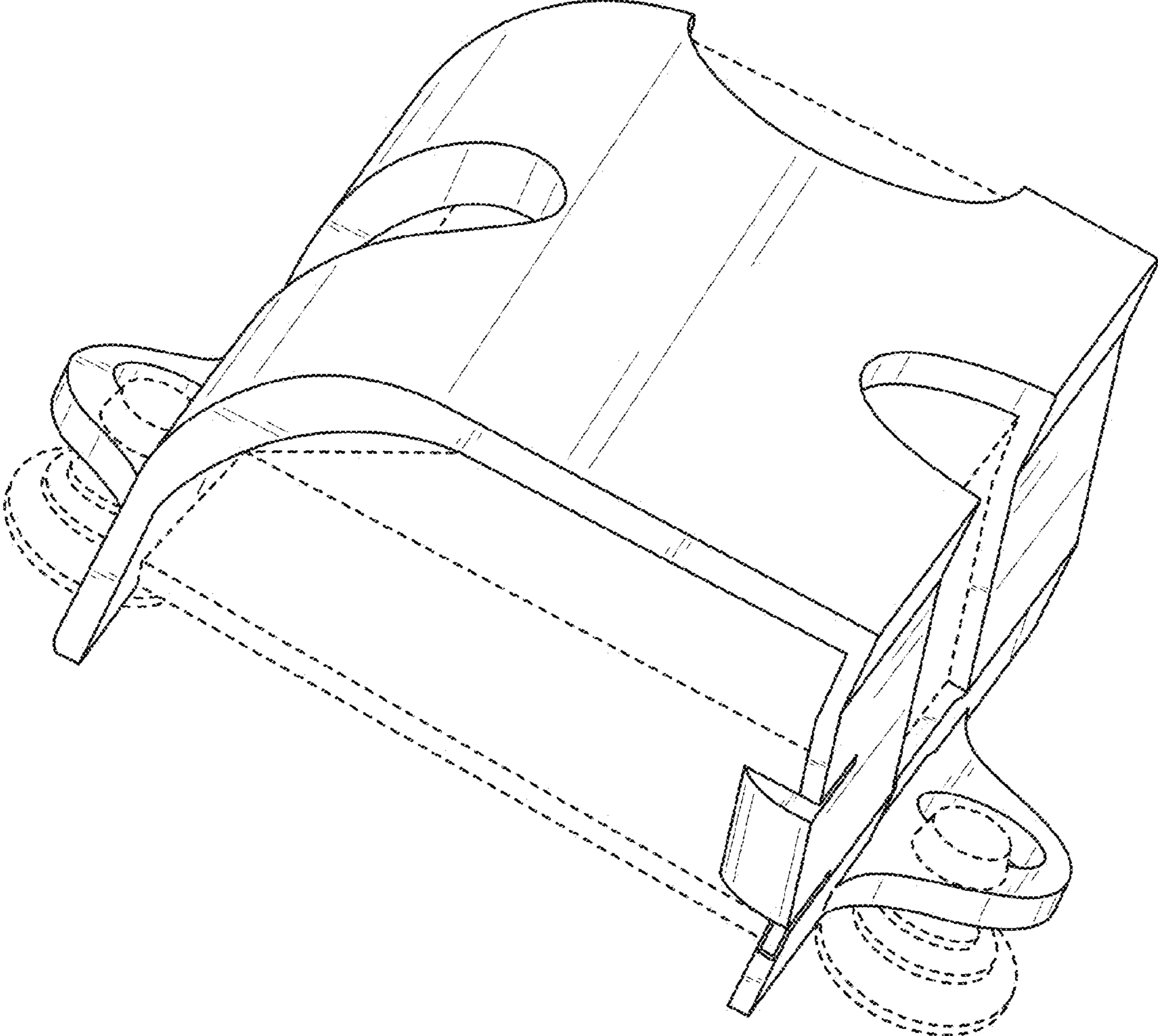


FIG. 8