



US00D743289S

(12) **United States Design Patent**  
**Mundhra**

(10) **Patent No.:** **US D743,289 S**  
(45) **Date of Patent:** **\*\* Nov. 17, 2015**

(54) **WHISTLE**

FOREIGN PATENT DOCUMENTS

(71) Applicant: **Siya, Inc.**, Santa Fe Springs, CA (US)

EP 0764936 3/1997  
EP 939392 A2 9/1999

(72) Inventor: **Sudhir Mundhra**, Cerritos, CA (US)

\* cited by examiner

(73) Assignee: **SIYA, INC.**, Santa Fe Springs, CA (US)

*Primary Examiner* — George D Kirschbaum

(\*\*) Term: **15 Years**

(74) *Attorney, Agent, or Firm* — Cislo & Thomas LLP

(21) Appl. No.: **29/533,980**

(22) Filed: **Jul. 23, 2015**

(51) **LOC (10) Cl.** ..... **10-05**

(52) **U.S. Cl.**  
USPC ..... **D10/119.3**

(58) **Field of Classification Search**  
USPC ..... D10/119.1, 119.3; 446/202-209  
CPC ..... G10K 5/00  
See application file for complete search history.

(57) **CLAIM**

I claim the ornamental design for my whistle design, as shown and described herein.

**DESCRIPTION**

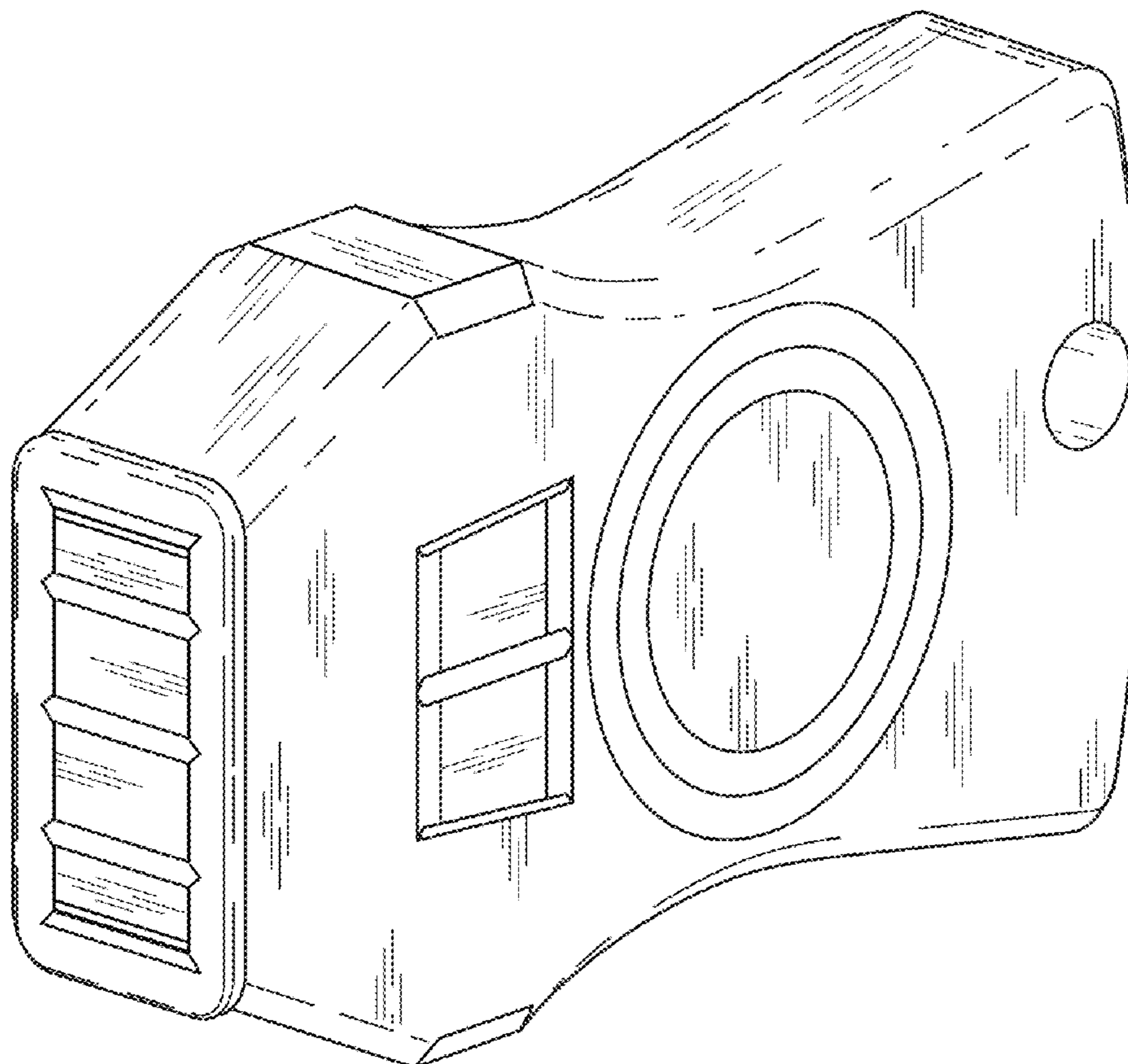
FIG. 1. Is a perspective view of an embodiment of my whistle design;  
FIG. 2. Is a front view thereof;  
FIG. 3. Is a rear view thereof;  
FIG. 4. Is a left side view thereof;  
FIG. 5. Is a right side view thereof;  
FIG. 6 is a top view thereof; and,  
FIG. 7 is a bottom view thereof.  
The broken lines in the drawings show environment that forms no part of the claimed design.

(56) **References Cited**

U.S. PATENT DOCUMENTS

D256,382 S	8/1980	Nakao et al.	
D502,421 S	3/2005	Cheng	
7,581,509 B2	9/2009	Eventoff	
D826,875	11/2010	Cheng	
2005/0237736 A1*	10/2005	Wimsatt	..... G10K 5/00 362/196

**1 Claim, 2 Drawing Sheets**



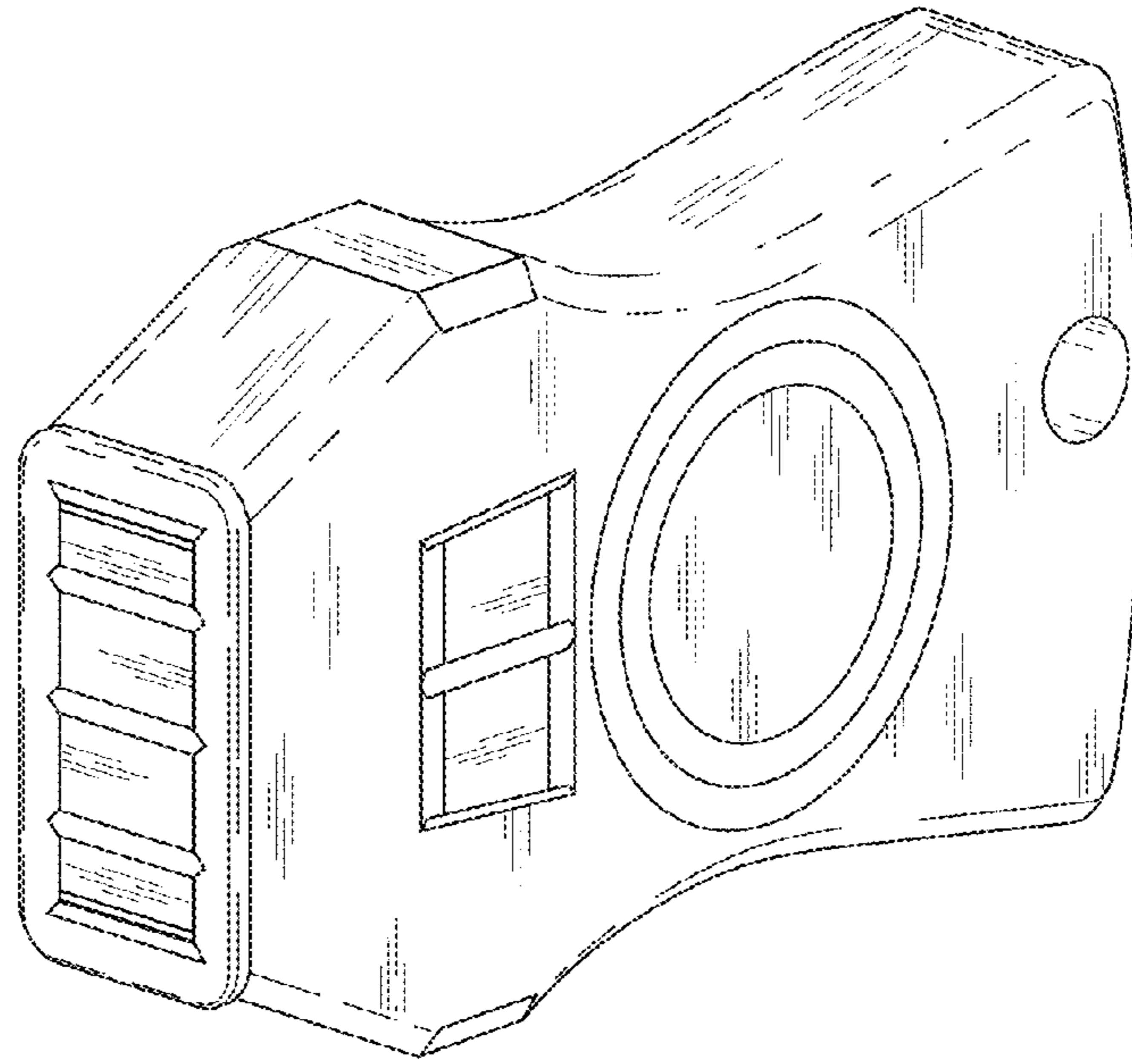


Fig. 1

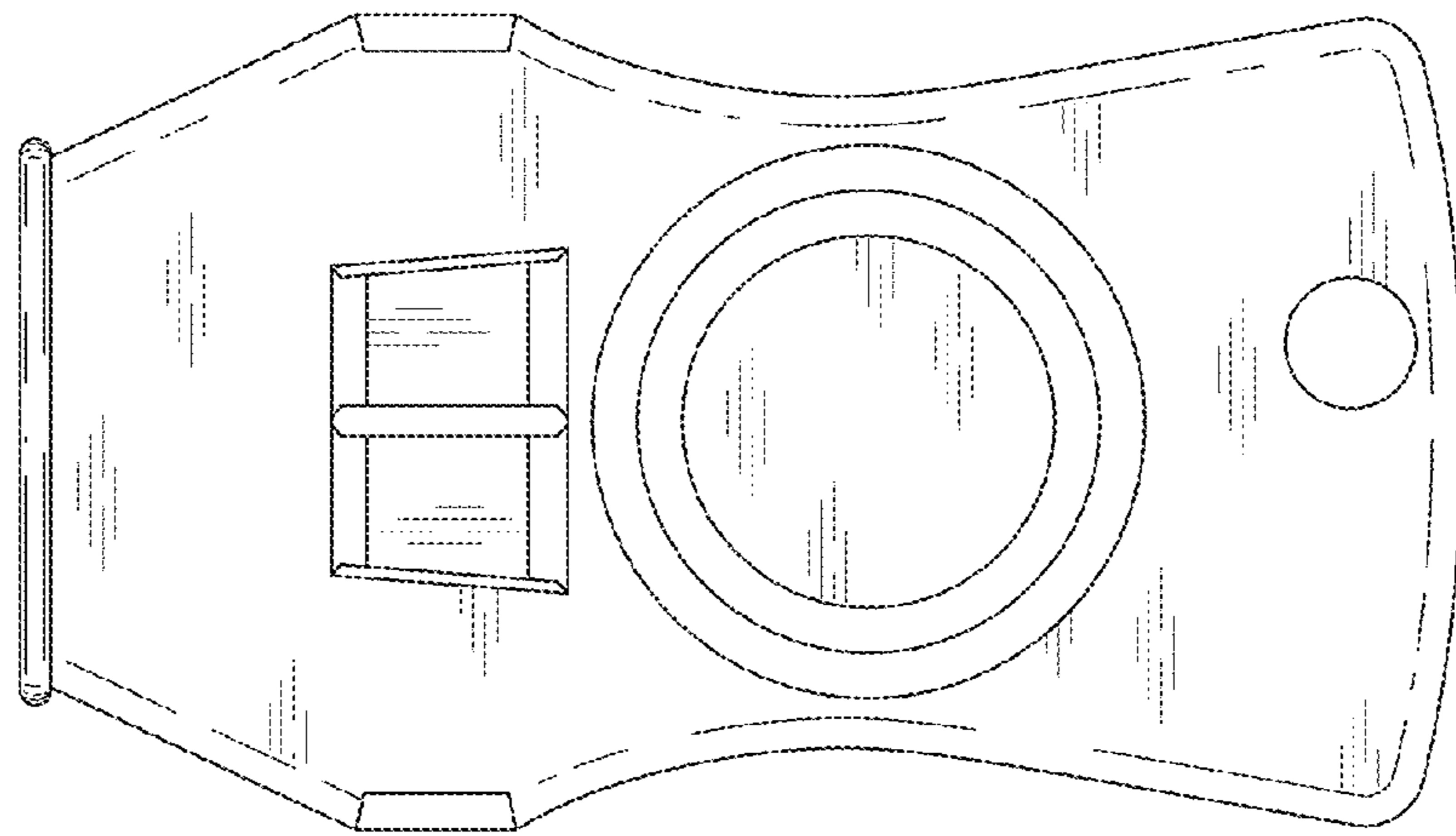


Fig. 2

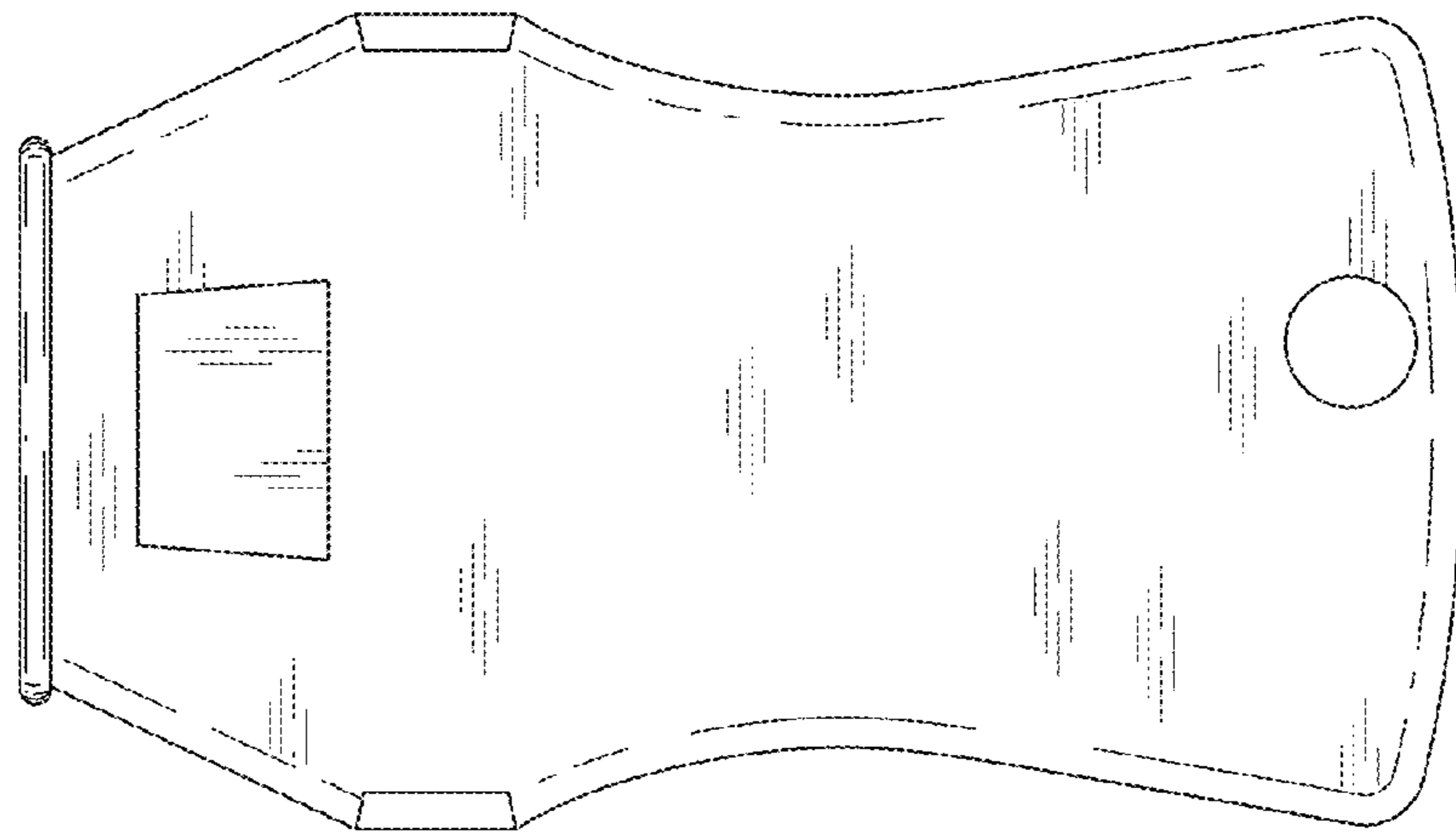


Fig. 3

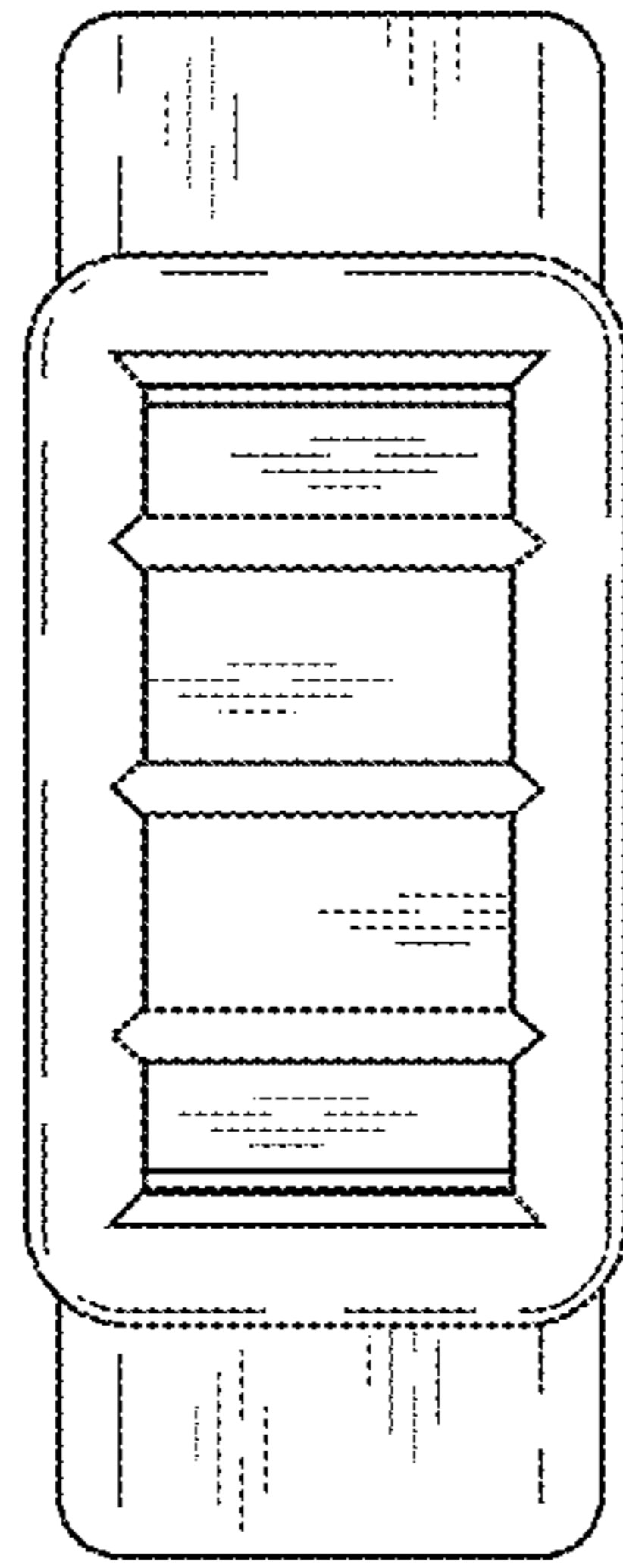


Fig. 4

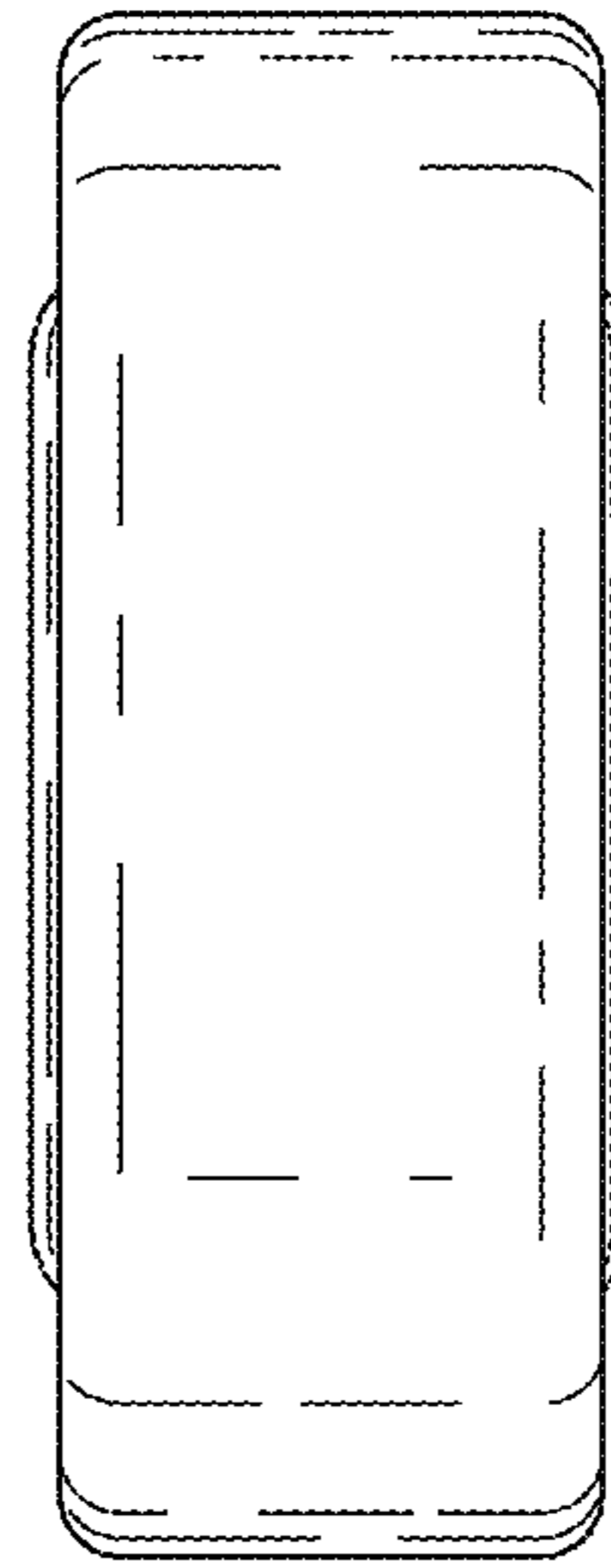


Fig. 5

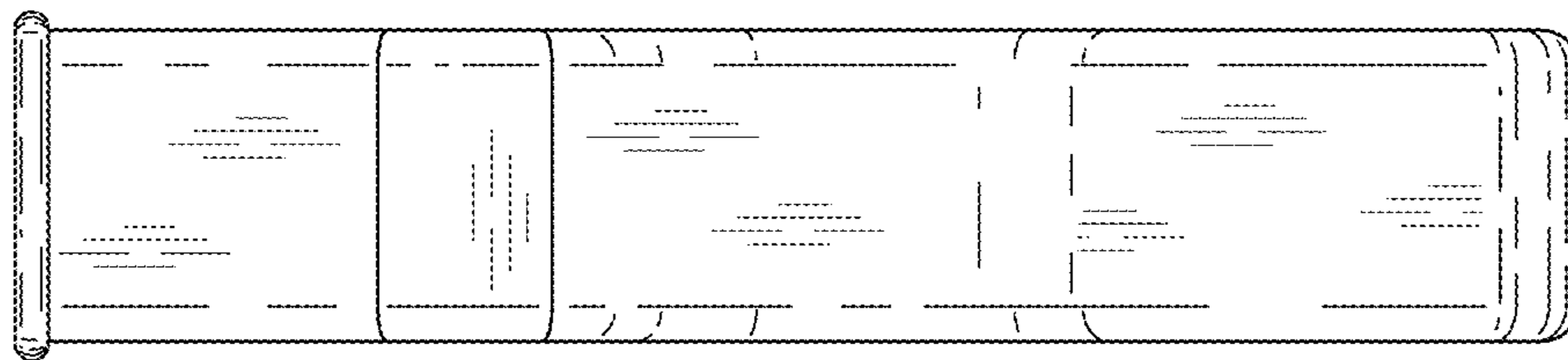


Fig. 6

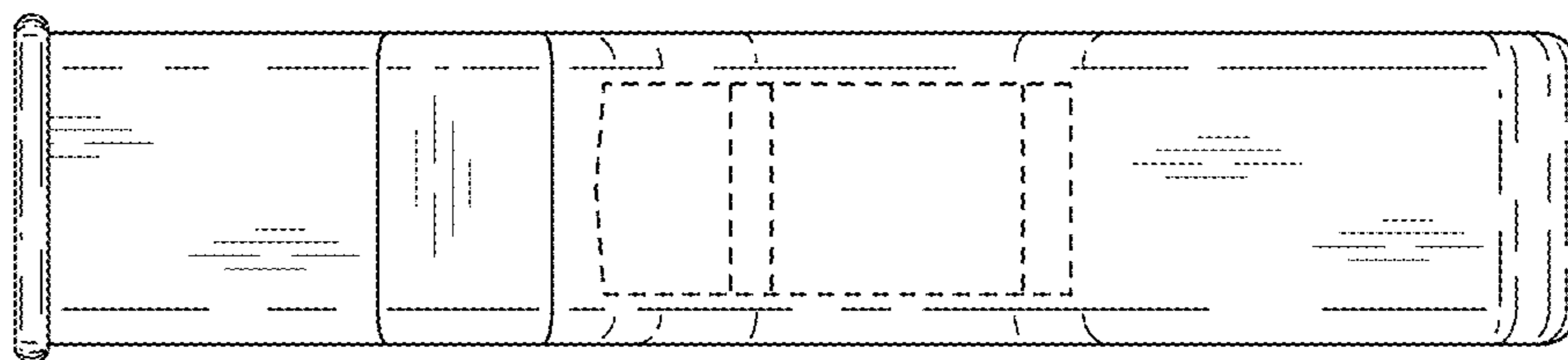


Fig. 7