



US00D743288S

(12) **United States Design Patent**  
**Mundhra**

(10) **Patent No.:** **US D743,288 S**

(45) **Date of Patent:** **\*\* Nov. 17, 2015**

(54) **WHISTLE**

(71) Applicant: **Siya, Inc.**, Santa Fe Springs, CA (US)

(72) Inventor: **Sudhir Mundhra**, Cerritos, CA (US)

(73) Assignee: **SIYA, INC.**, Santa Fe Springs, CA (US)

(\*\*) Term: **14 Years**

(21) Appl. No.: **29/509,420**

(22) Filed: **Nov. 17, 2014**

(51) **LOC (10) Cl.** ..... **10-05**

(52) **U.S. Cl.**  
USPC ..... **D10/119.3**

(58) **Field of Classification Search**  
USPC ..... D10/119.3  
CPC ..... G10K 5/00

See application file for complete search history.

(56) **References Cited**

U.S. PATENT DOCUMENTS

7,581,509 B2 *	9/2009	Eventoff .....	G10K 5/00 116/137 R
D621,734 S *	8/2010	Hills .....	D10/119.3
D626,875 S *	11/2010	Cheng .....	D10/119.3
2005/0237736 A1 *	10/2005	Wimsatt .....	G10K 5/00 362/196

\* cited by examiner

*Primary Examiner* — George D Kirschbaum

(74) *Attorney, Agent, or Firm* — Cislo & Thomas, LLP

(57) **CLAIM**

I claim the ornamental design for a whistle, as shown and described herein.

**DESCRIPTION**

FIG. 1. Is a perspective view of one embodiment of my whistle;

FIG. 2. Is a top view thereof;

FIG. 3. Is a bottom view thereof;

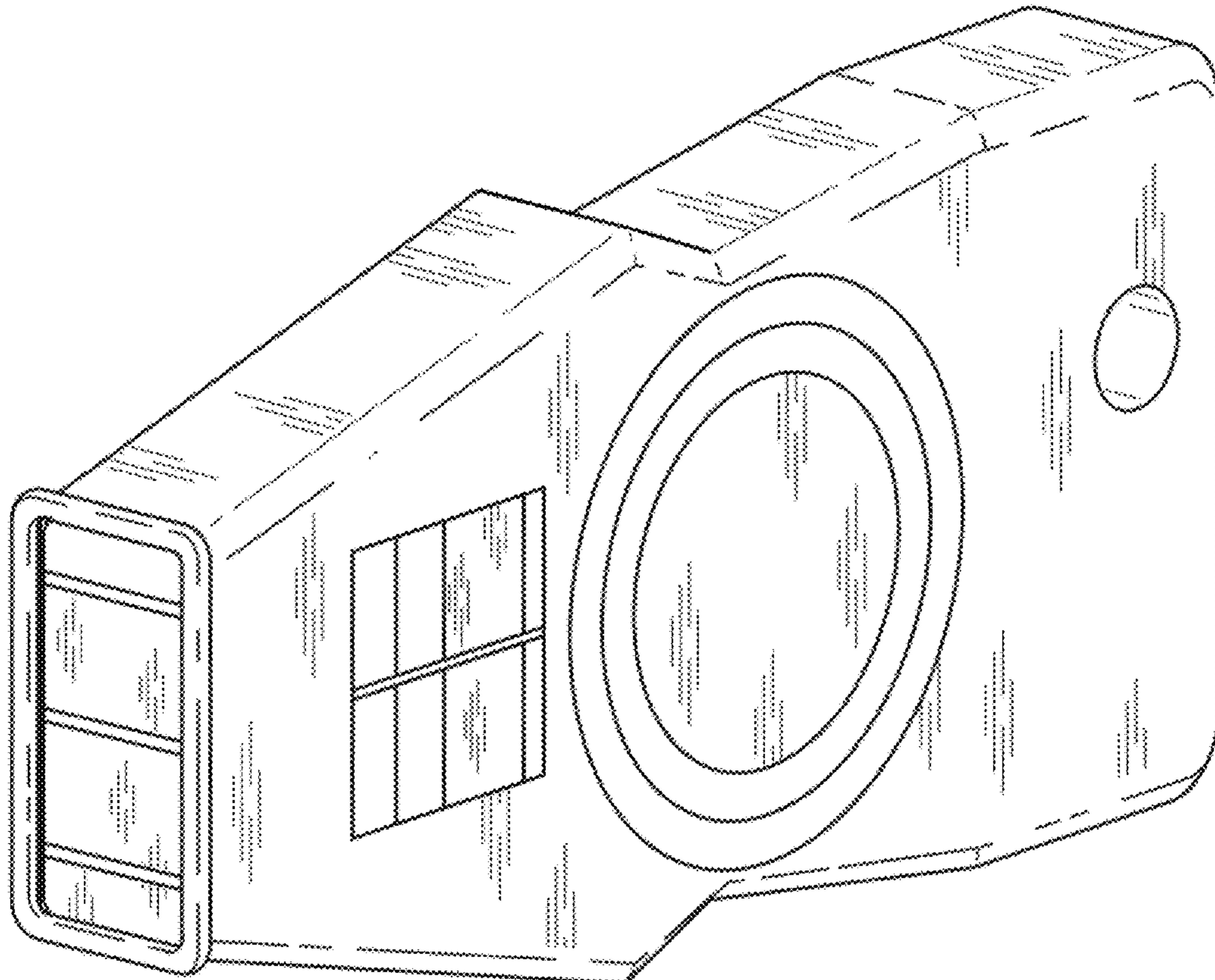
FIG. 4. Is a front side view thereof;

FIG. 5. is a back side view thereof;

FIG. 6 is a left side view thereof; and,

FIG. 7 is a right side view thereof.

**1 Claim, 2 Drawing Sheets**



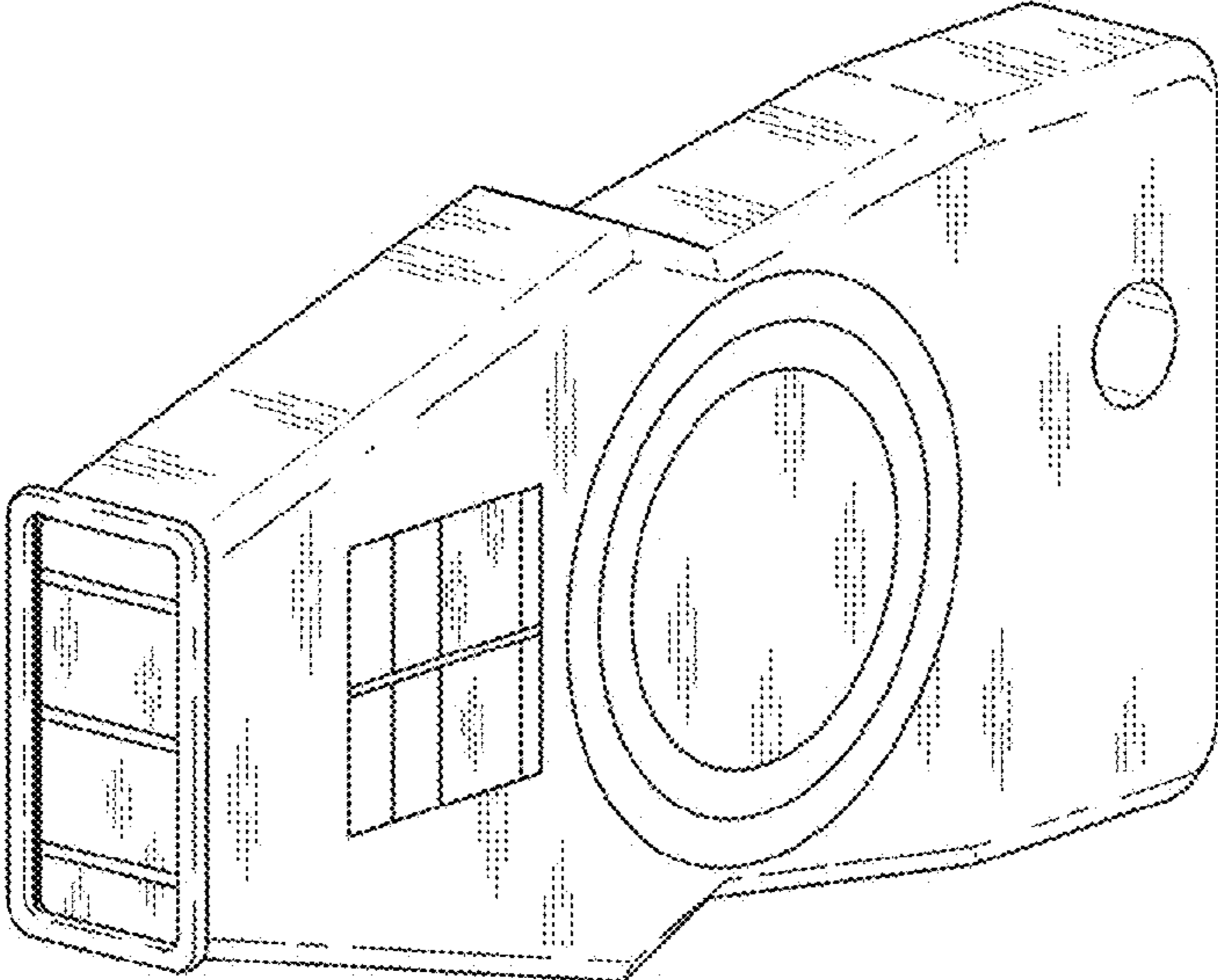


Fig. 1

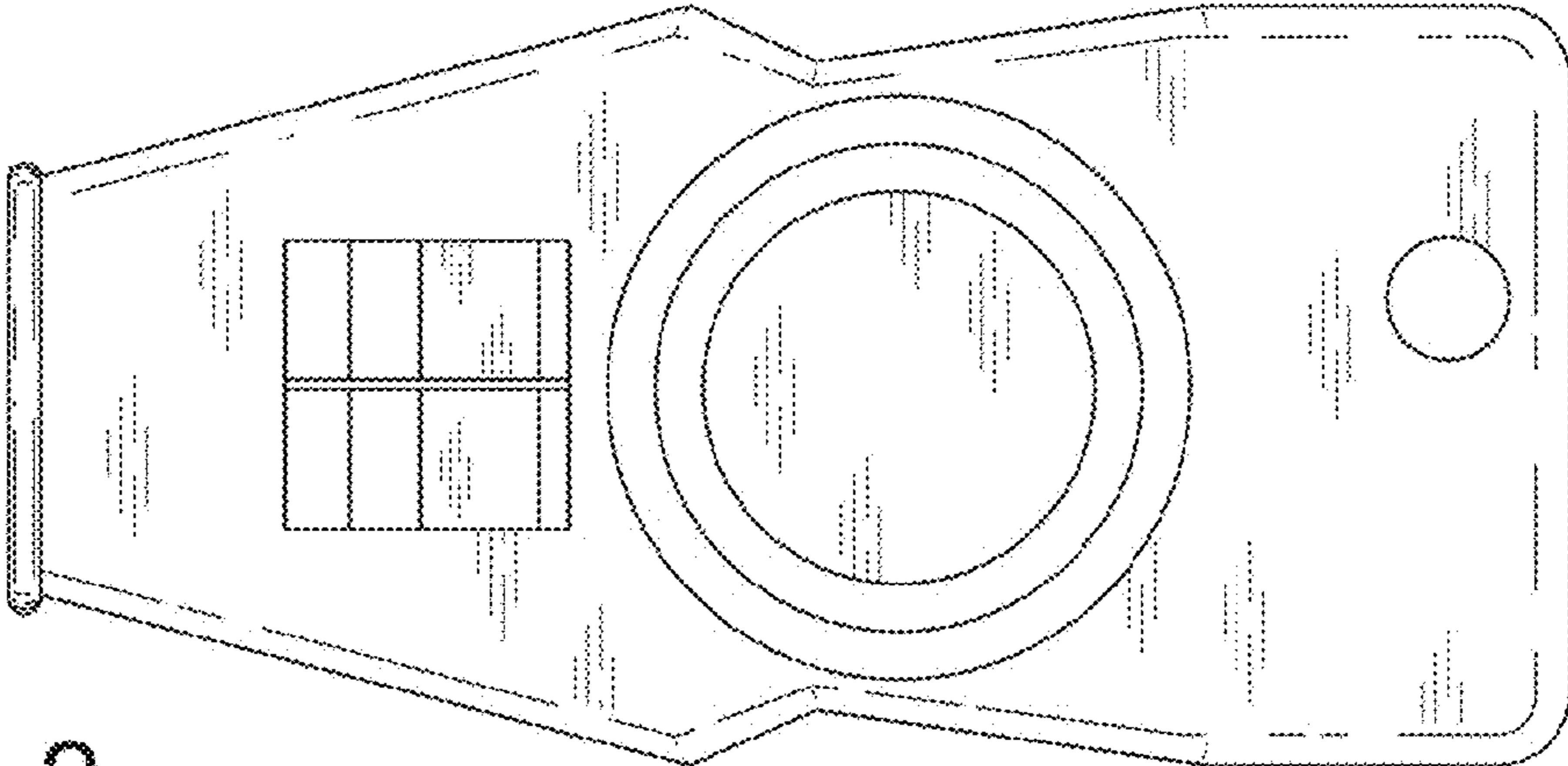


Fig. 2

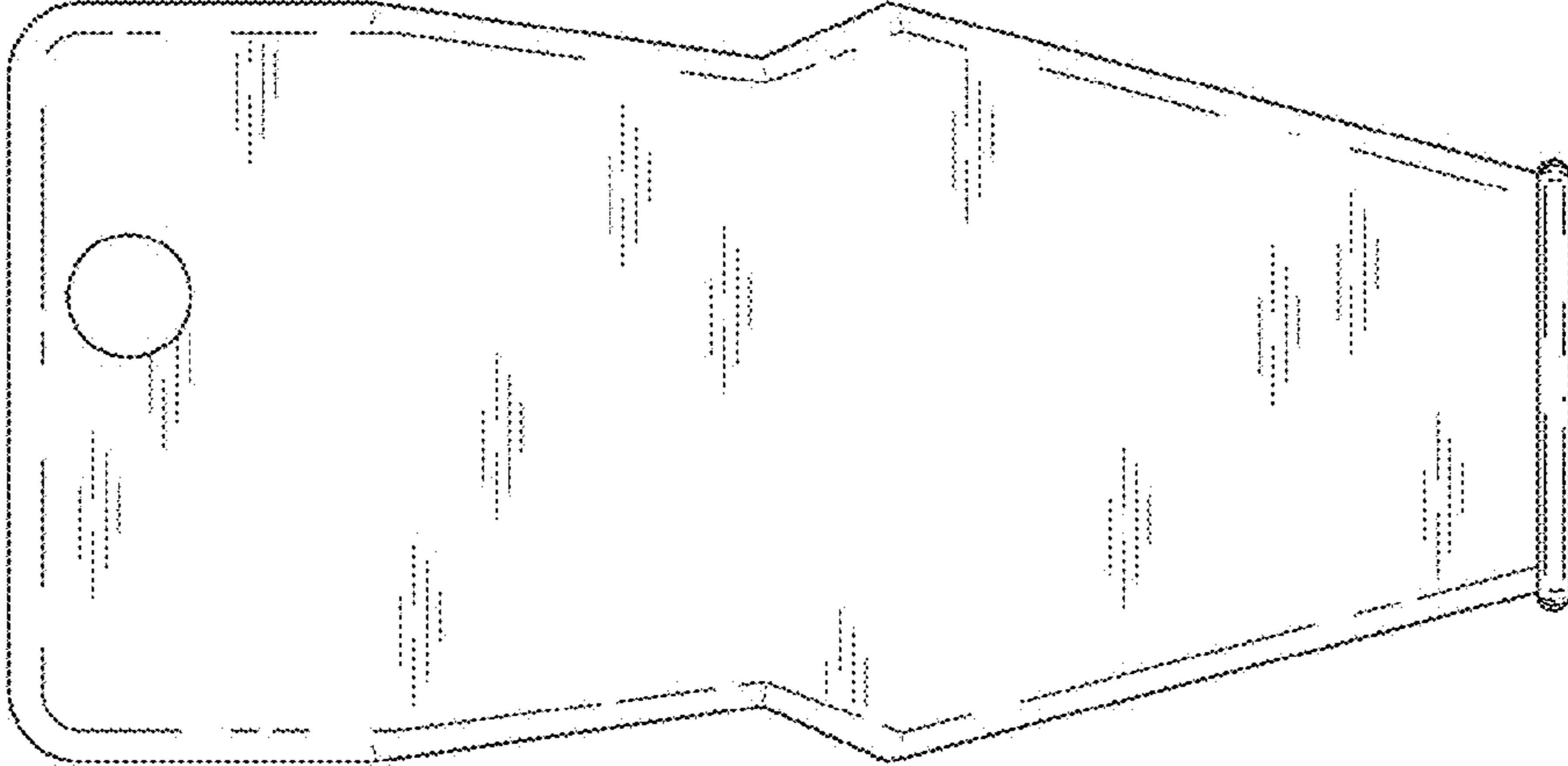


Fig. 3

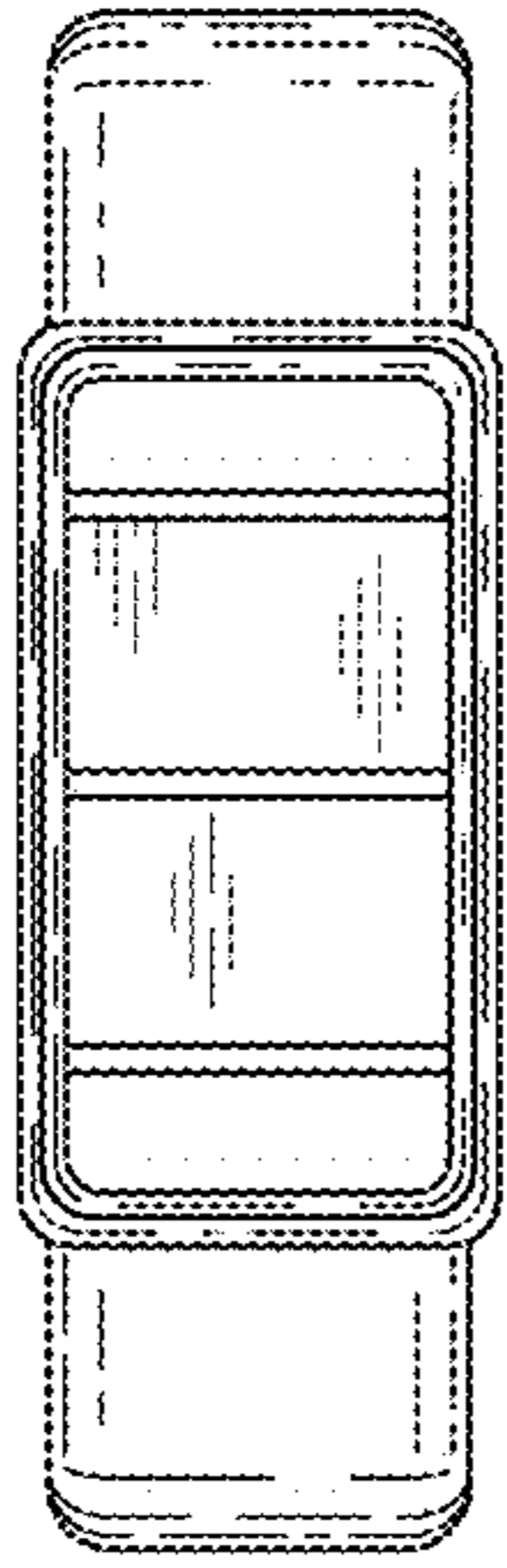


Fig. 4

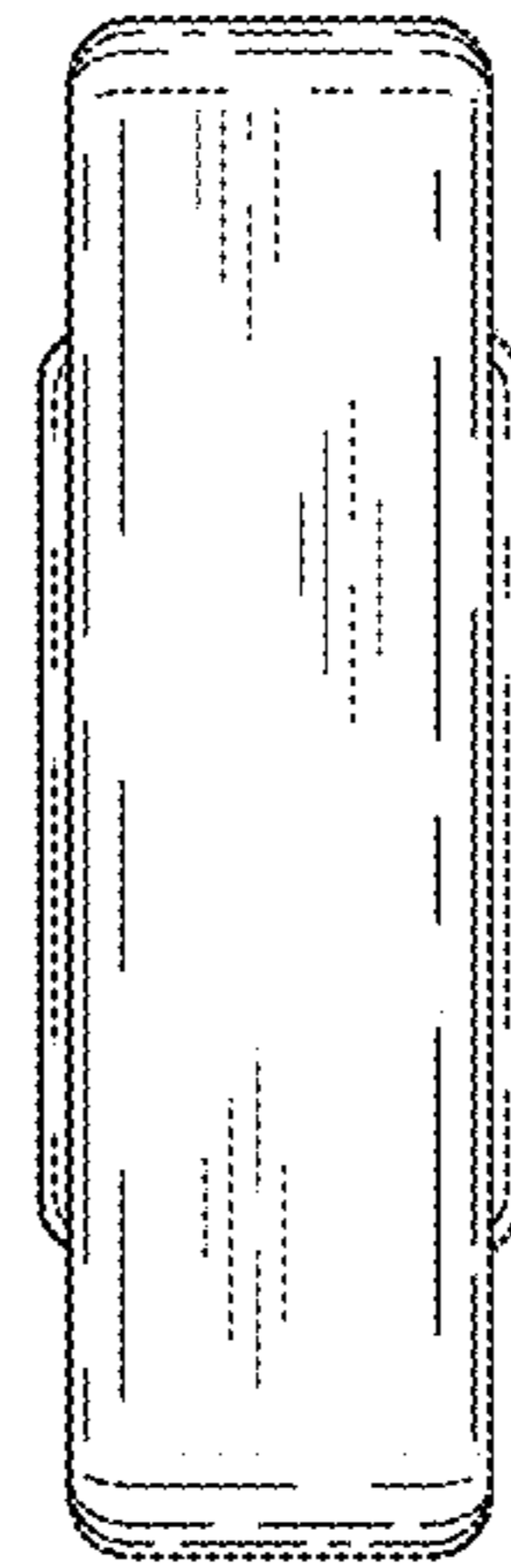


Fig. 5

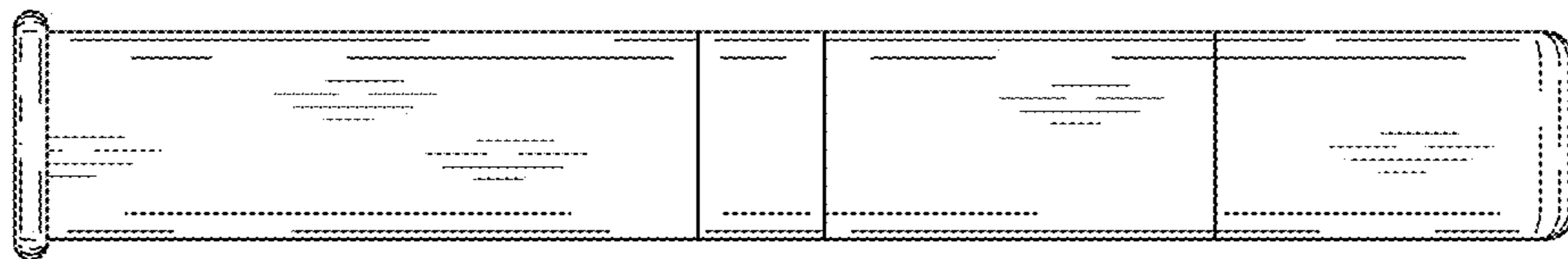


Fig. 6

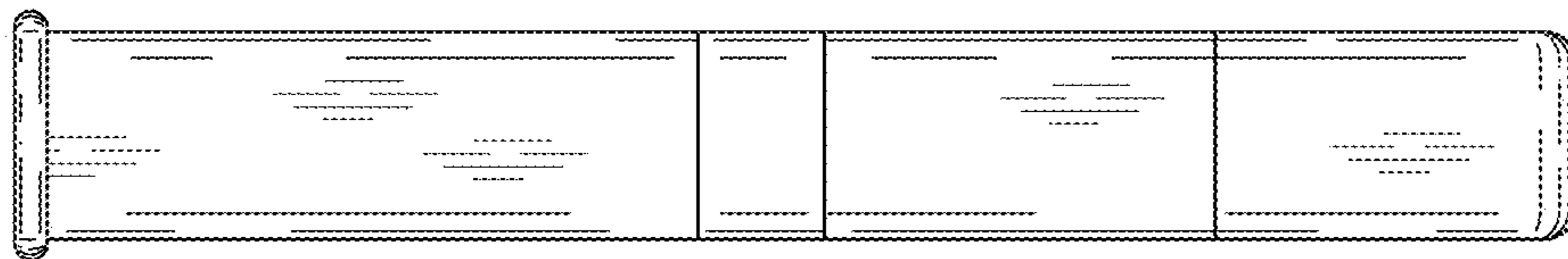


Fig. 7