



US00D743286S

(12) **United States Design Patent**
Chandramowle et al.

(10) **Patent No.:** **US D743,286 S**

(45) **Date of Patent:** **** Nov. 17, 2015**

(54) **LABEL HOUSING**

(71) Applicants: **Gopal Chandramowle**, Boca Raton, FL
(US); **Randy Zirk**, Delray Beach, FL
(US)

(72) Inventors: **Gopal Chandramowle**, Boca Raton, FL
(US); **Randy Zirk**, Delray Beach, FL
(US)

(73) Assignee: **Tyco Fire & Security GmbH**,
Neuhausen am Rheinfall (CH)

(**) Term: **14 Years**

(21) Appl. No.: **29/502,470**

(22) Filed: **Sep. 16, 2014**

(51) **LOC (10) Cl.** **10-05**

(52) **U.S. Cl.**
USPC **D10/106.9**

(58) **Field of Classification Search**
USPC D10/104.1, 106.9, 65; D14/230
CPC G08B 13/2417; E05B 73/0017
See application file for complete search history.

(56) **References Cited**

U.S. PATENT DOCUMENTS

5,859,587 A *	1/1999	Alicot	G08B 13/2417 340/551
D543,125 S *	5/2007	Feibelman	D10/106.9
D673,533 S *	1/2013	Ennabli	D14/230
2007/0012772 A1 *	1/2007	Cooper	E05B 73/0017 235/435

* cited by examiner

Primary Examiner — George D Kirschbaum

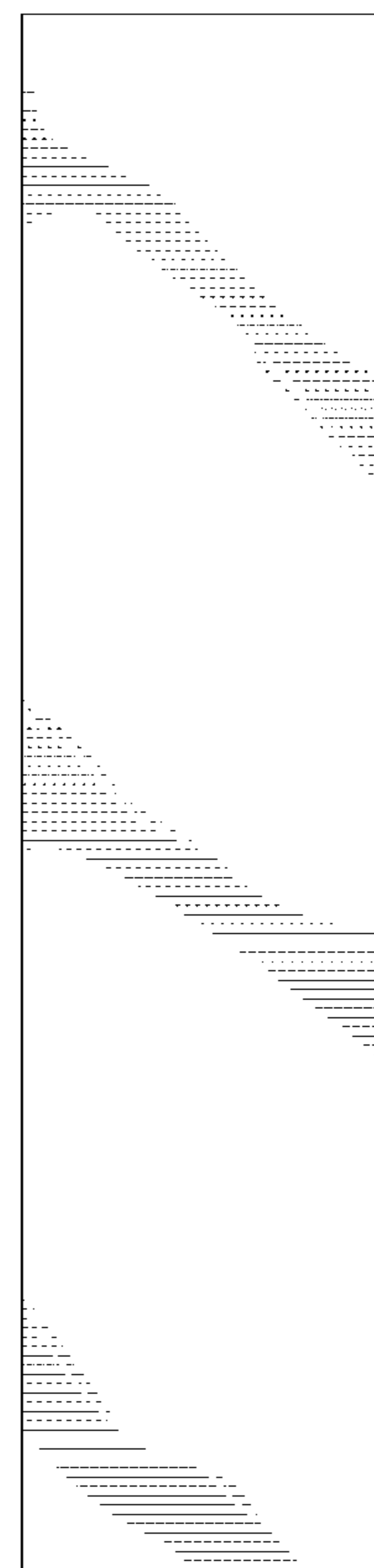
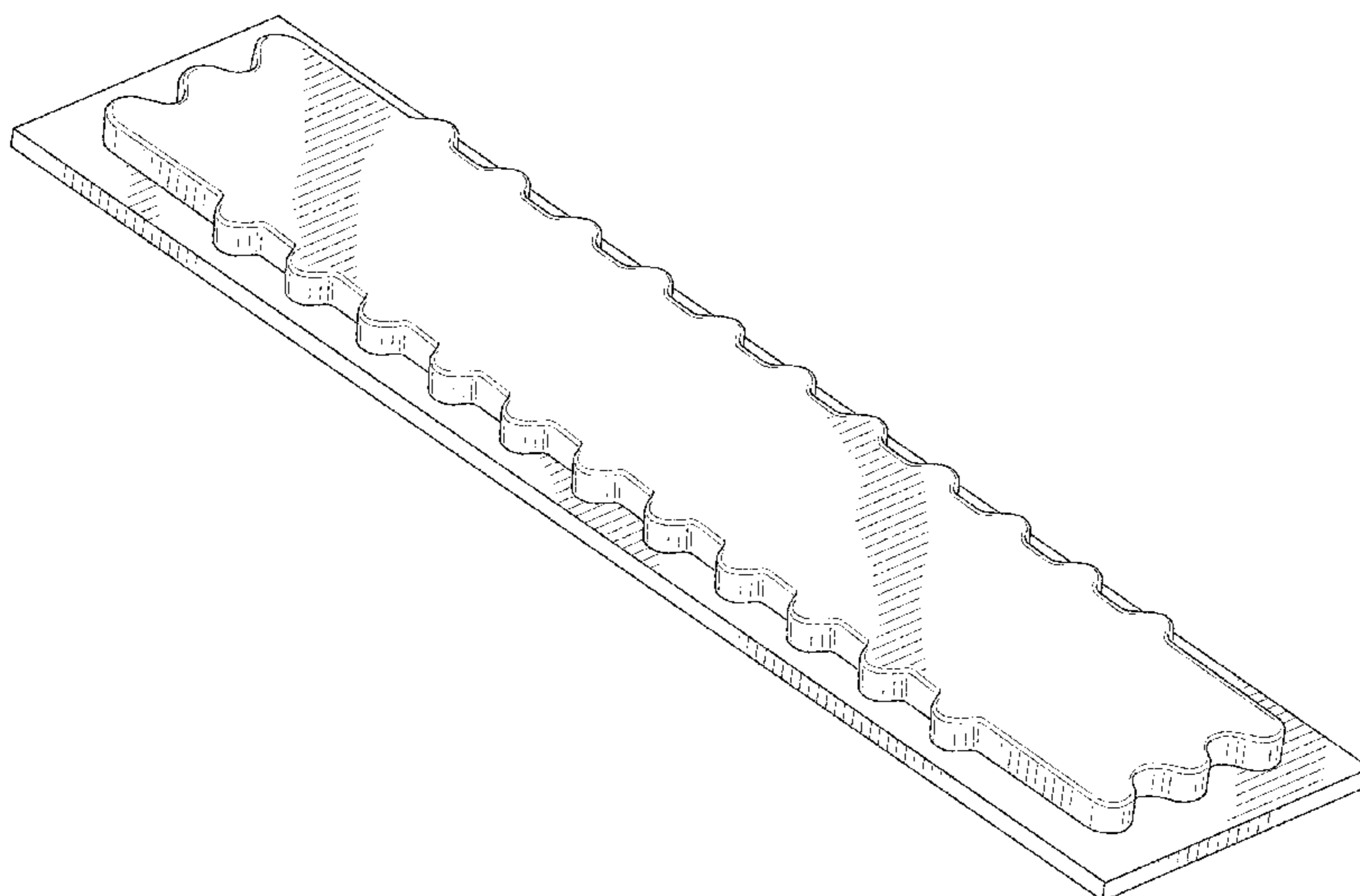
(57) **CLAIM**

The ornamental design for a label housing, as shown and described.

DESCRIPTION

FIG. 1 is a perspective view of the top and front and left sides showing the new design;
FIG. 2 is a top plan view thereof;
FIG. 3 is a bottom plan view thereof;
FIG. 4 is a front elevation view thereof;
FIG. 5 is a rear elevation view thereof;
FIG. 6 is a right side elevation view thereof; and
FIG. 7 is a left side elevation view thereof; and,
FIG. 8 is a perspective view of the top and rear sides thereof.

1 Claim, 5 Drawing Sheets



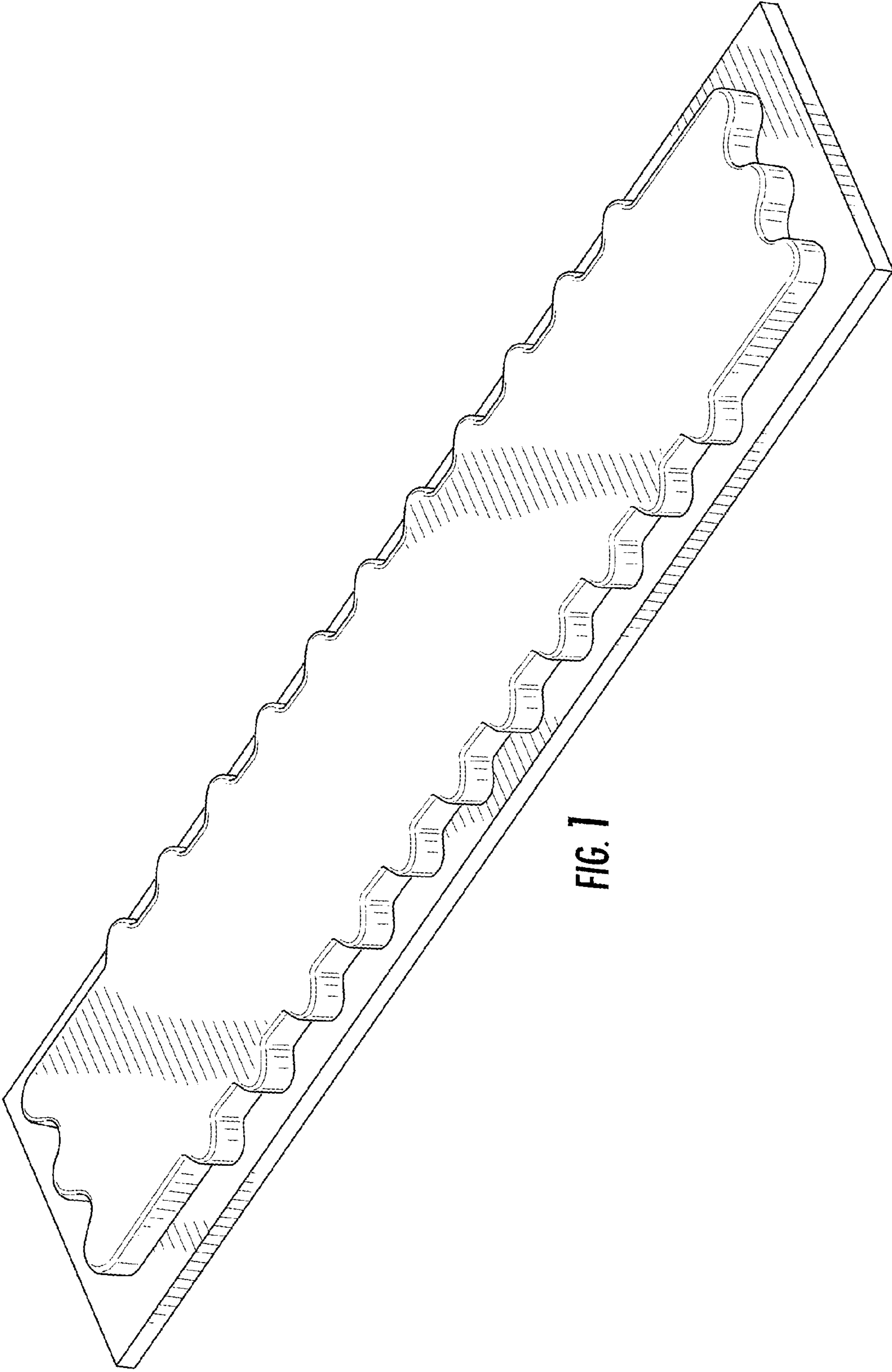


FIG. 1

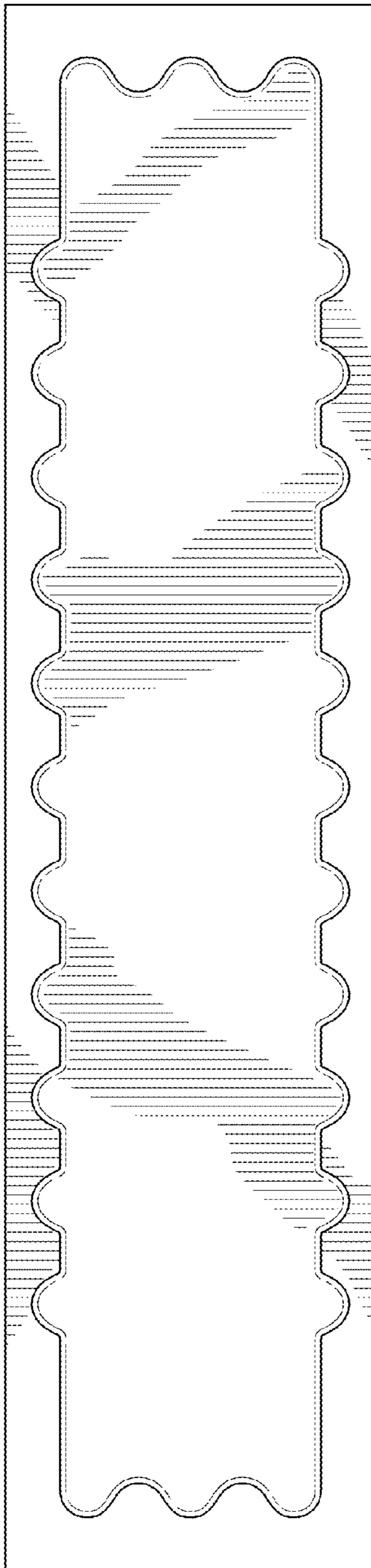


FIG. 2

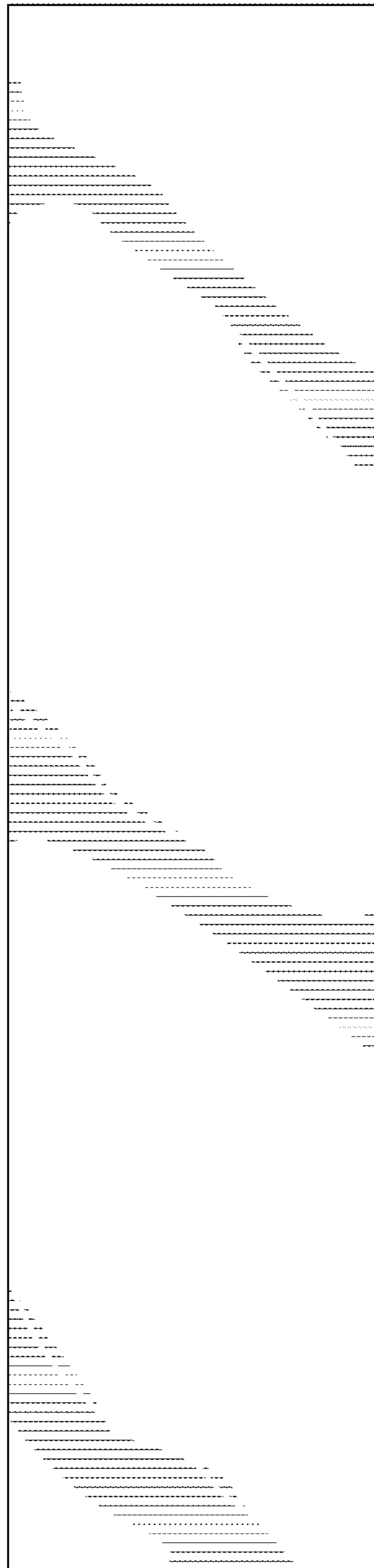


FIG. 3



FIG. 4



FIG. 5



FIG. 6

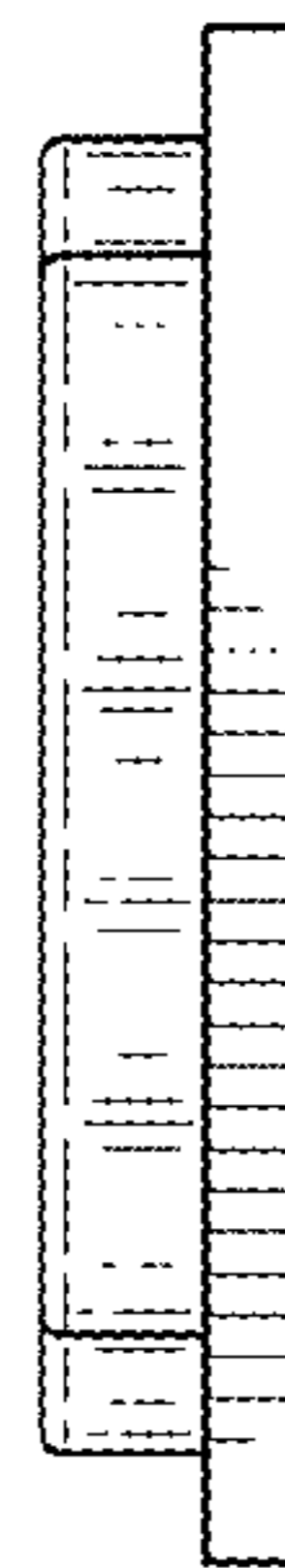


FIG. 7

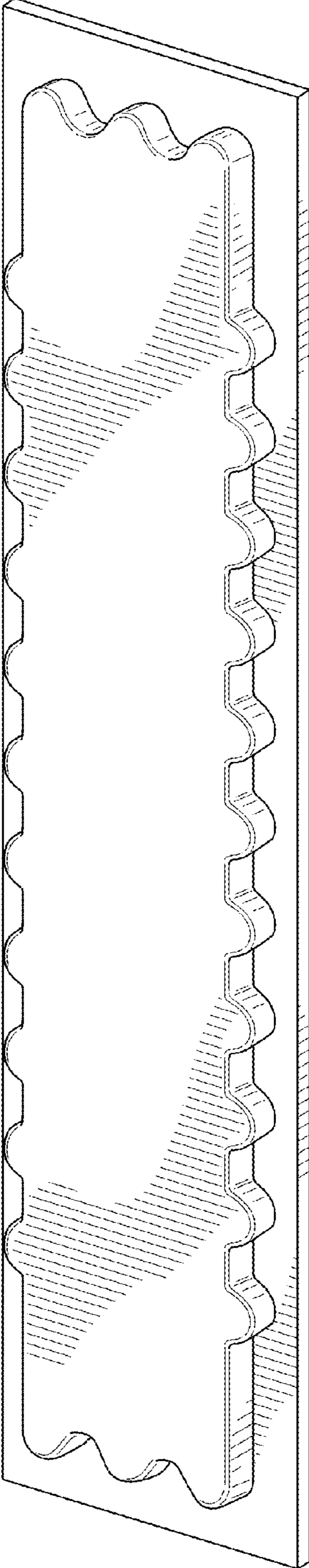


FIG. 8