



US00D743285S

(12) **United States Design Patent**
Wu et al.

(10) **Patent No.:** **US D743,285 S**
(45) **Date of Patent:** **** Nov. 17, 2015**

- (54) **DEACTIVATOR**
- (71) Applicant: **Checkpoint Systems, Inc.**, Thorofare, NJ (US)
- (72) Inventors: **Tao Wu**, Shanghai (CN); **Ronald Decker**, Turnersville, NJ (US); **Nimesh Shah**, Marlton, NJ (US); **Haiming Gu**, Shanghai (CN)
- (73) Assignee: **CHECKPOINT SYSTEMS, INC.**, Thorofare, NJ (US)
- (**) Term: **14 Years**

4,635,167	A *	1/1987	Schlosser	362/85
4,862,741	A *	9/1989	Heusser	73/160
D326,235	S *	5/1992	Bastijanac et al.	D10/75
5,375,038	A *	12/1994	Hardt	361/694
D378,515	S *	3/1997	Senshiki	D14/353
5,908,263	A *	6/1999	Conners et al.	404/9
D412,290	S *	7/1999	Apotheloz	D10/46
D419,971	S *	2/2000	Ito et al.	D14/356
D426,785	S *	6/2000	Asai et al.	D10/75
6,232,553	B1 *	5/2001	Regen	174/64
6,310,770	B1 *	10/2001	Negishi	361/695
6,388,880	B1 *	5/2002	El-Ghobashy et al.	361/695
D492,683	S *	7/2004	Nishio et al.	D14/367
D494,160	S *	8/2004	Chen	D14/314
6,839,233	B2 *	1/2005	Cravens et al.	361/695

(Continued)

- (21) Appl. No.: **29/482,205**
- (22) Filed: **Feb. 14, 2014**
- (51) **LOC (10) Cl.** **10-06**
- (52) **U.S. Cl.**
USPC **D10/104.1**
- (58) **Field of Classification Search**
USPC D26/9, 10, 12, 13, 15, 16, 24, 51, 61, D26/72, 76, 80, 81, 85, 86, 88, 90, 113, 118, D26/119, 120, 122, 128, 129, 138, 143, D26/144; D13/180; D10/18, 21, 24, 25, 27, D10/28, 46, 93, 104, 106, 113, 114, 116.1, D10/121; D17/99
CPC B60Q 1/04; B60Q 1/26; F21S 8/026; F21S 8/04; F21V 29/004; F21V 21/02; F21V 21/04; F21V 29/2212; F21Y 2101/02; H05K 7/20727; H05K 7/20581; F04D 25/166; F04D 15/00; F04D 29/664; F24F 3/044; F24F 7/06; F24F 13/24
See application file for complete search history.

OTHER PUBLICATIONS

NFC antennas and controllers, image post date Nov. 6, 2013, site visited Jun. 27, 2015, (online), <http://www.nfcworld.com/2013/11/06/326736/nxp-adds-esd-protection-nfc-phone-antennas/?relatedposts_hit=1&relatedposts_origin=35726&relatedposts_position=0>.*

(Continued)

Primary Examiner — Kevin Rudzinski
Assistant Examiner — Sean D Lough
(74) *Attorney, Agent, or Firm* — Nelson Mullins Riley & Scarborough LLP

(57) **CLAIM**
The ornamental design for a deactivator, as shown and described.

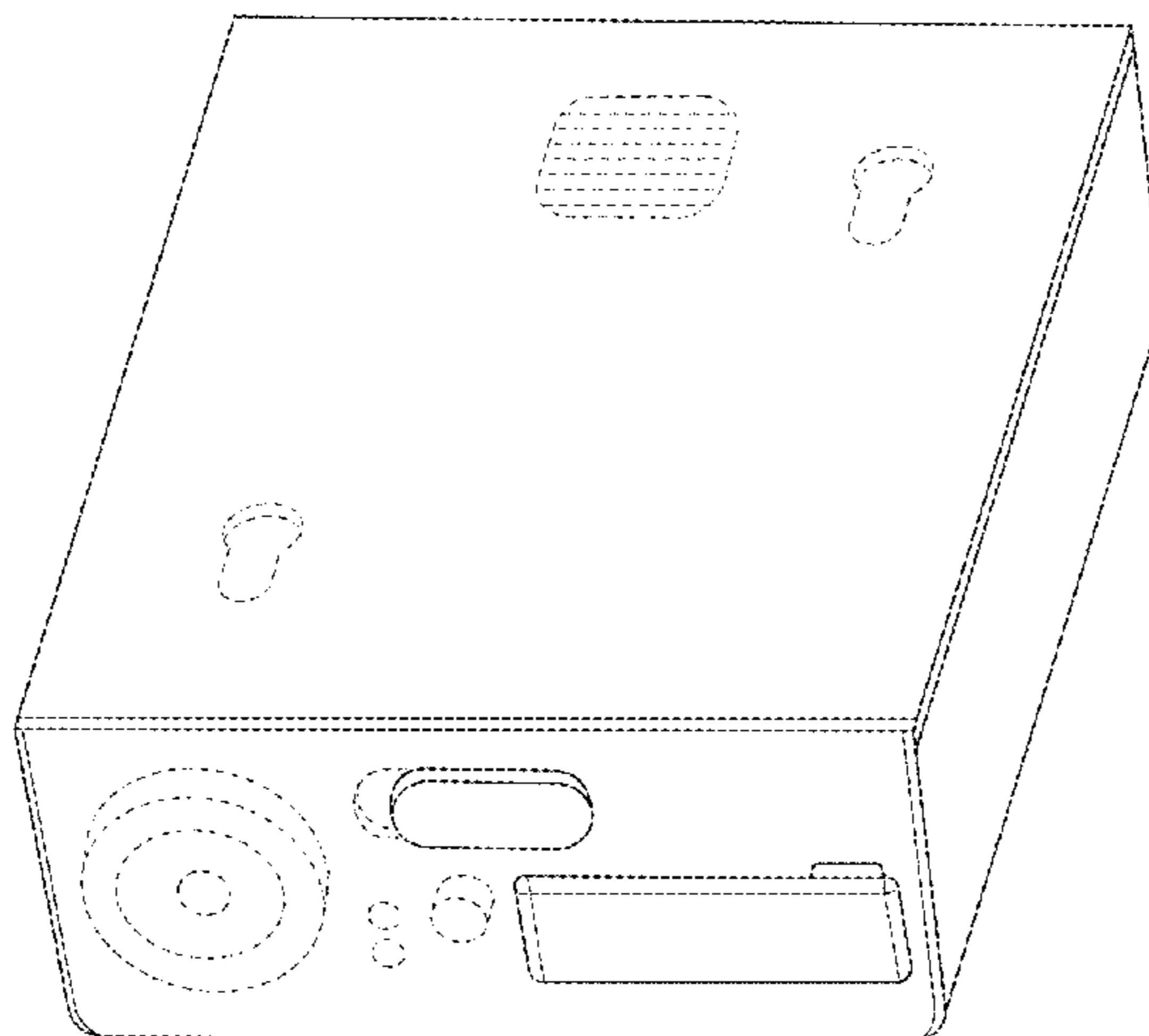
DESCRIPTION

FIG. 1 is an isometric view of a deactivator showing the new design; and, FIG. 2 is a front view thereof. The broken lines (where present) in all FIGS. illustrate portions of the deactivator that form no part of the claimed design.

1 Claim, 2 Drawing Sheets

(56) **References Cited**
U.S. PATENT DOCUMENTS

D213,636	S *	3/1969	Burch	D26/50
D243,035	S *	1/1977	Kohlenstein	D26/24
4,393,725	A *	7/1983	Satterfield	73/862.41



(56)

References Cited

U.S. PATENT DOCUMENTS

D507,539 S * 7/2005 Hull et al. D13/152
 6,921,247 B2 * 7/2005 Stewart et al. 415/213.1
 7,070,294 B2 * 7/2006 Patti 362/153.1
 D556,143 S * 11/2007 Ni D13/152
 D565,513 S * 4/2008 Biondo et al. D13/174
 D570,646 S * 6/2008 Jeon D7/402
 7,458,705 B2 * 12/2008 Chiba et al. 362/362
 7,524,080 B2 * 4/2009 Tu et al. 362/183
 7,597,534 B2 * 10/2009 Hopkins 415/119
 D615,565 S * 5/2010 Kristiansen et al. D15/86
 7,722,212 B2 * 5/2010 Searfoss 362/231
 D631,364 S * 1/2011 Da Vinci et al. D9/600
 7,880,283 B2 * 2/2011 Zhuang 257/678
 D640,376 S * 6/2011 Amano et al. D24/138
 D643,130 S * 8/2011 Oonuma et al. D24/232
 D646,398 S * 10/2011 Oonuma et al. D24/232
 D651,101 S * 12/2011 Ziganek et al. D10/46
 D654,211 S * 2/2012 Melzner et al. D26/118
 D676,814 S * 2/2013 Paul D13/152
 D681,845 S * 5/2013 Matsuguma D24/232
 D692,158 S * 10/2013 Matoba et al. D24/216
 D693,763 S * 11/2013 Ray et al. D13/108

D706,974 S * 6/2014 Nikayin et al. D26/138
 D707,386 S * 6/2014 McKenzie et al. D26/142
 D709,621 S * 7/2014 Chang et al. D24/216
 8,852,773 B2 * 10/2014 Yoon 429/72
 8,861,200 B2 * 10/2014 Malmberg 361/695
 D722,569 S * 2/2015 Osborne D13/152
 D722,975 S * 2/2015 Debone et al. D13/152
 D723,473 S * 3/2015 Hagarty D13/152
 2001/0007526 A1 * 7/2001 Ohkohdo et al. 362/249
 2007/0044985 A1 * 3/2007 Tideback 174/50
 2011/0188254 A1 * 8/2011 Burt 362/365

OTHER PUBLICATIONS

Enclosure—TinEye, image post date Sep. 9, 2010, site visited Jun. 27, 2015, (online), <<https://www.tineye.com/search/afc8dadadb71832197a2e4bfab755576d1d55ffa/?pluginver=>>>.*
 Barcode Scanner, image post date 2011, site visited Jun. 27, 2015, (online), <http://www.cgsdigital.com/manufacturers/z84b357/iz26be70e-barcode_scanner.html>.*
 Covering Panel Single Height, image post date Feb. 7, 2013, site visited Jun. 27, 2015, (online), <<http://web.archive.org/web/20130207224440/http://www.globelink.co.nz/category/products/power-distribution/distribution-boards/panel-blank-1-module/>>>.*

* cited by examiner

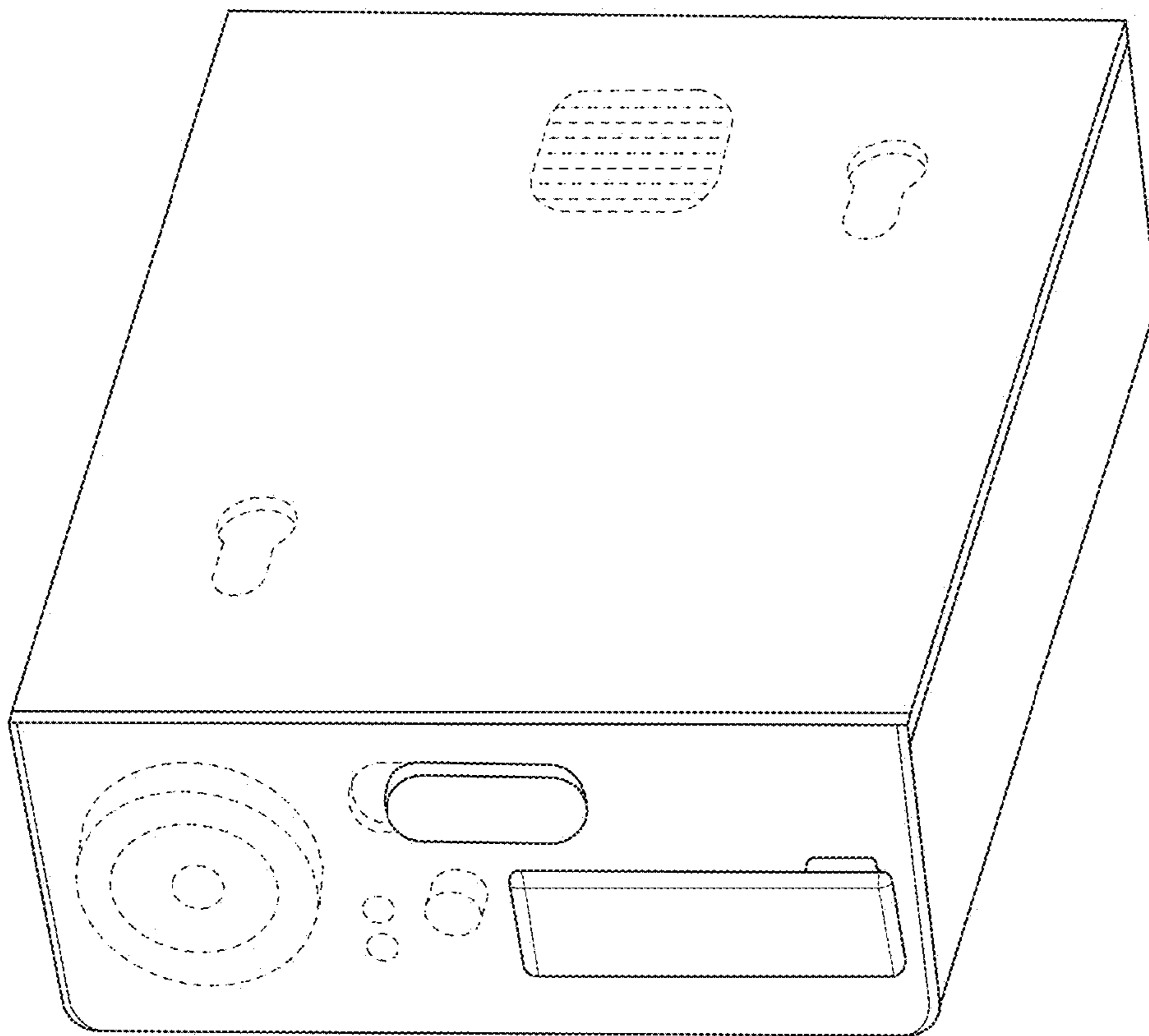


FIG. 1

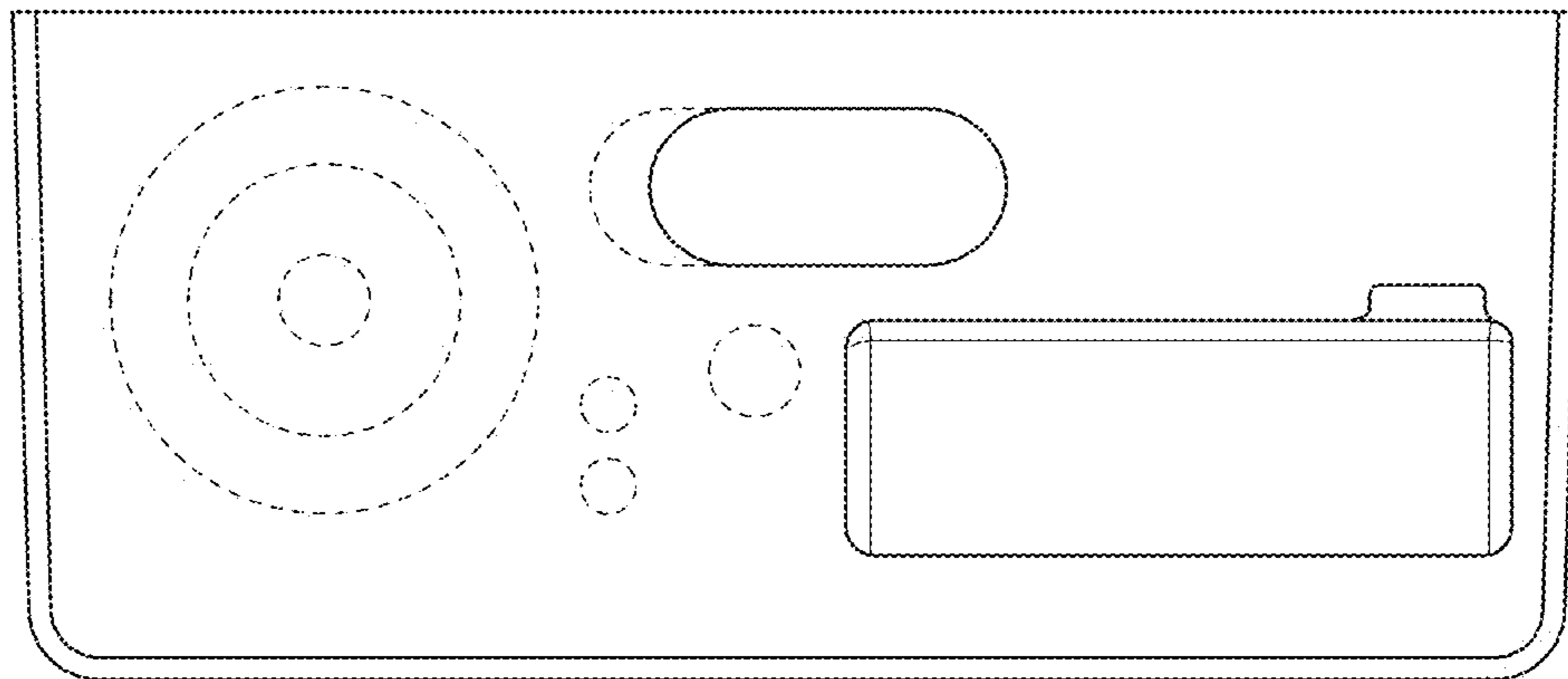


FIG. 2