



US00D743284S

(12) **United States Design Patent**
Cullimore

(10) **Patent No.:** **US D743,284 S**

(45) **Date of Patent:** **** Nov. 17, 2015**

(54) **BIOLOGICALLY-ACTIVATED BEACON
DEVICE**

(71) Applicant: **D. Roy Cullimore**, Regina (CA)

(72) Inventor: **D. Roy Cullimore**, Regina (CA)

(**) Term: **14 Years**

(21) Appl. No.: **29/460,645**

(22) Filed: **Jul. 12, 2013**

(51) **LOC (10) Cl.** **10-05**

(52) **U.S. Cl.**

USPC **D10/104.1**

(58) **Field of Classification Search**

USPC D10/65, 104.1, 104.2, 70, 106.1;

D13/139.1

CPC G08B 21/0202

See application file for complete search history.

(56) **References Cited**

U.S. PATENT DOCUMENTS

5,109,322 A * 4/1992 Loughlin F21L 11/00
362/109

D652,332 S * 1/2012 Bond D10/104.1

D652,333 S * 1/2012 Bond D10/104.1

* cited by examiner

Primary Examiner — George D Kirschbaum

(74) *Attorney, Agent, or Firm* — Rodgers & Rodgers

(57) **CLAIM**

The ornamental design for a biologically-activated beacon device, as shown and described.

DESCRIPTION

FIG. 1 is a perspective view of a biologically-activated beacon device showing my new design;

FIG. 2 is a top plan view thereof;

FIG. 3 is left-side elevational view thereof;

FIG. 4 is a front elevational view thereof;

FIG. 5 is a bottom plan view thereof;

FIG. 6 is a right-side elevational view thereof; and,

FIG. 7 is rear elevational view thereof.

The dash lines are included for the purpose of showing environment and form no part of the claimed design.

1 Claim, 3 Drawing Sheets

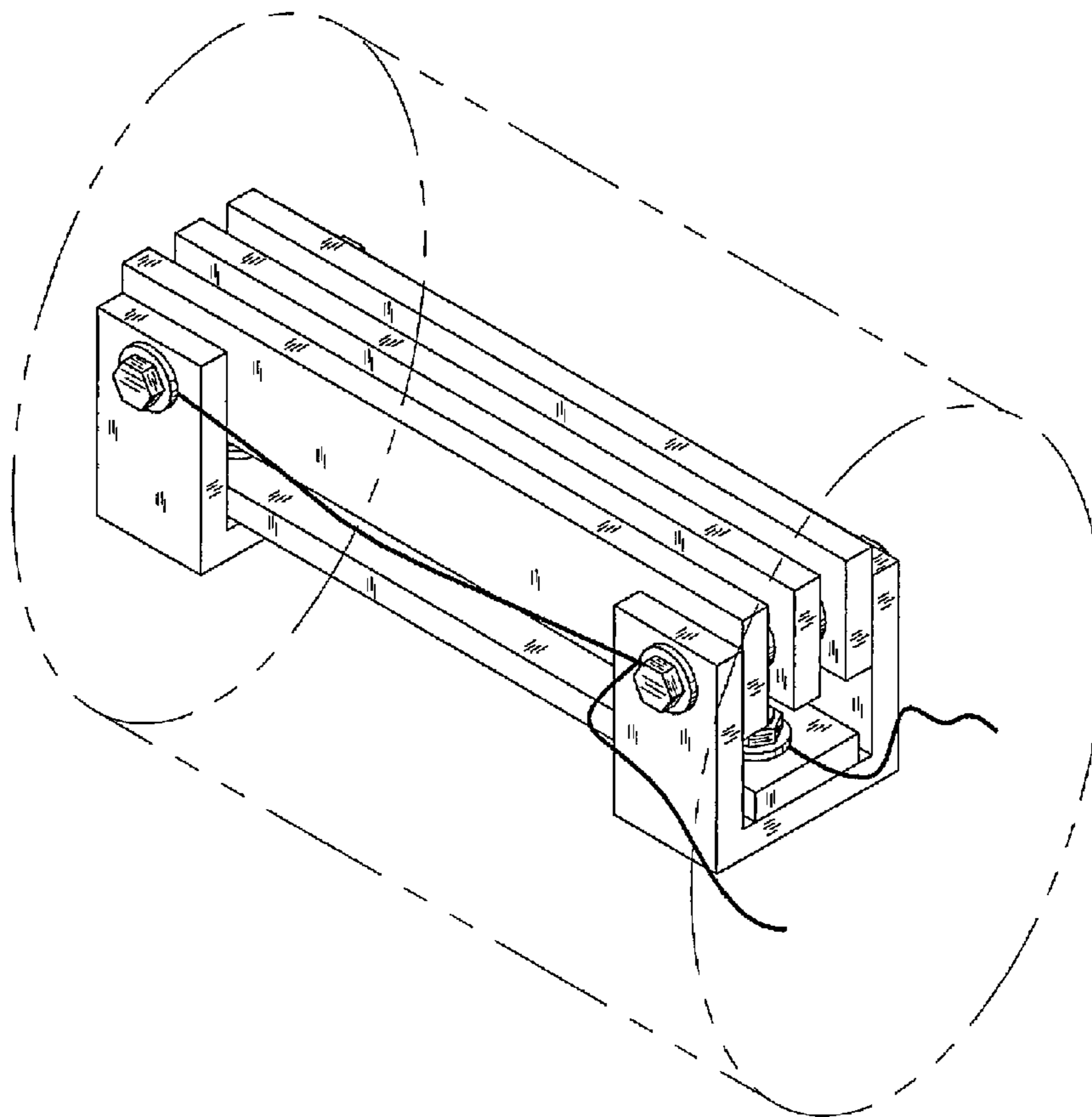


Fig 1

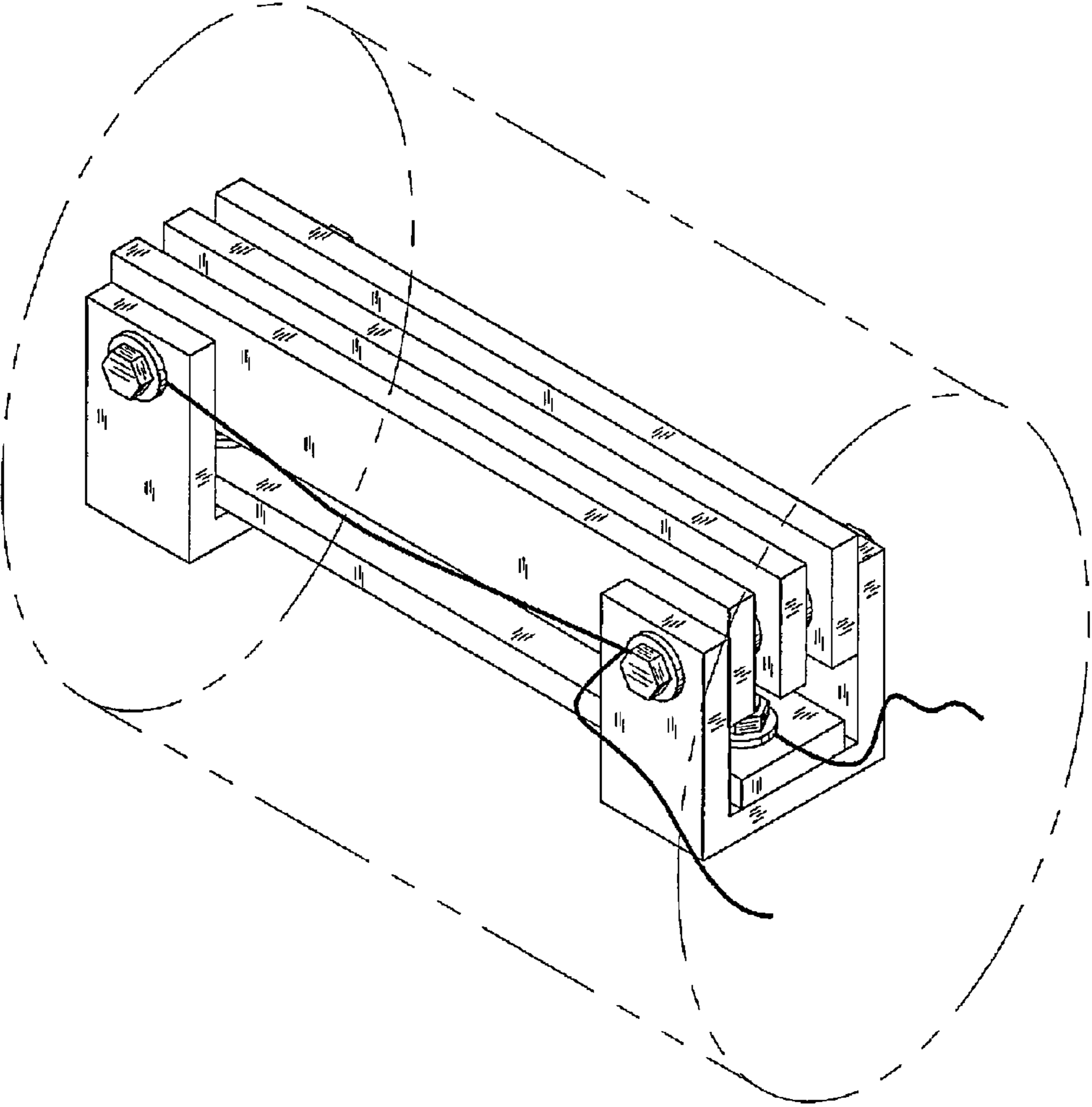


Fig 2

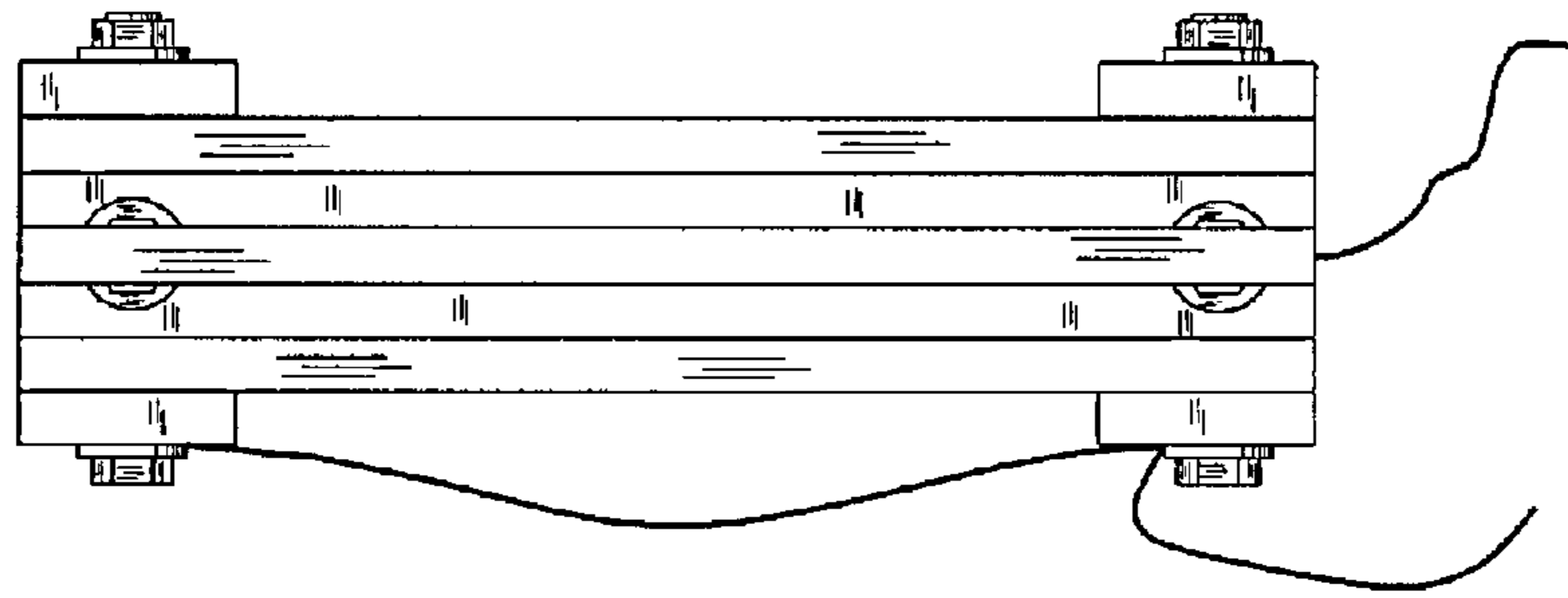


Fig 3

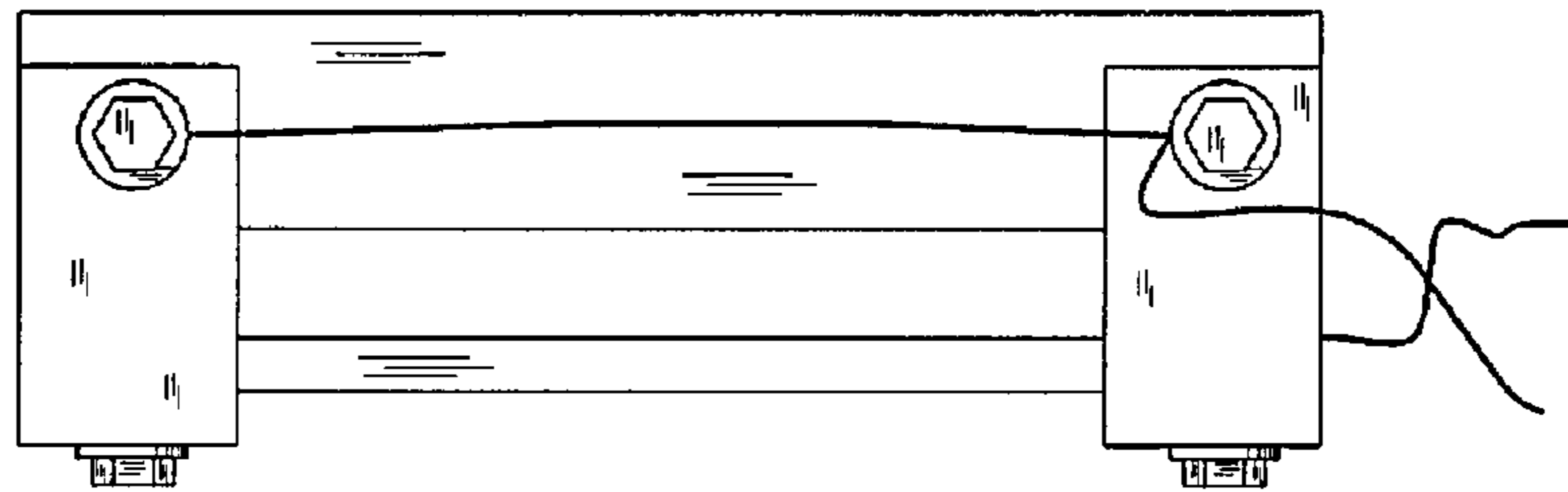


Fig 4

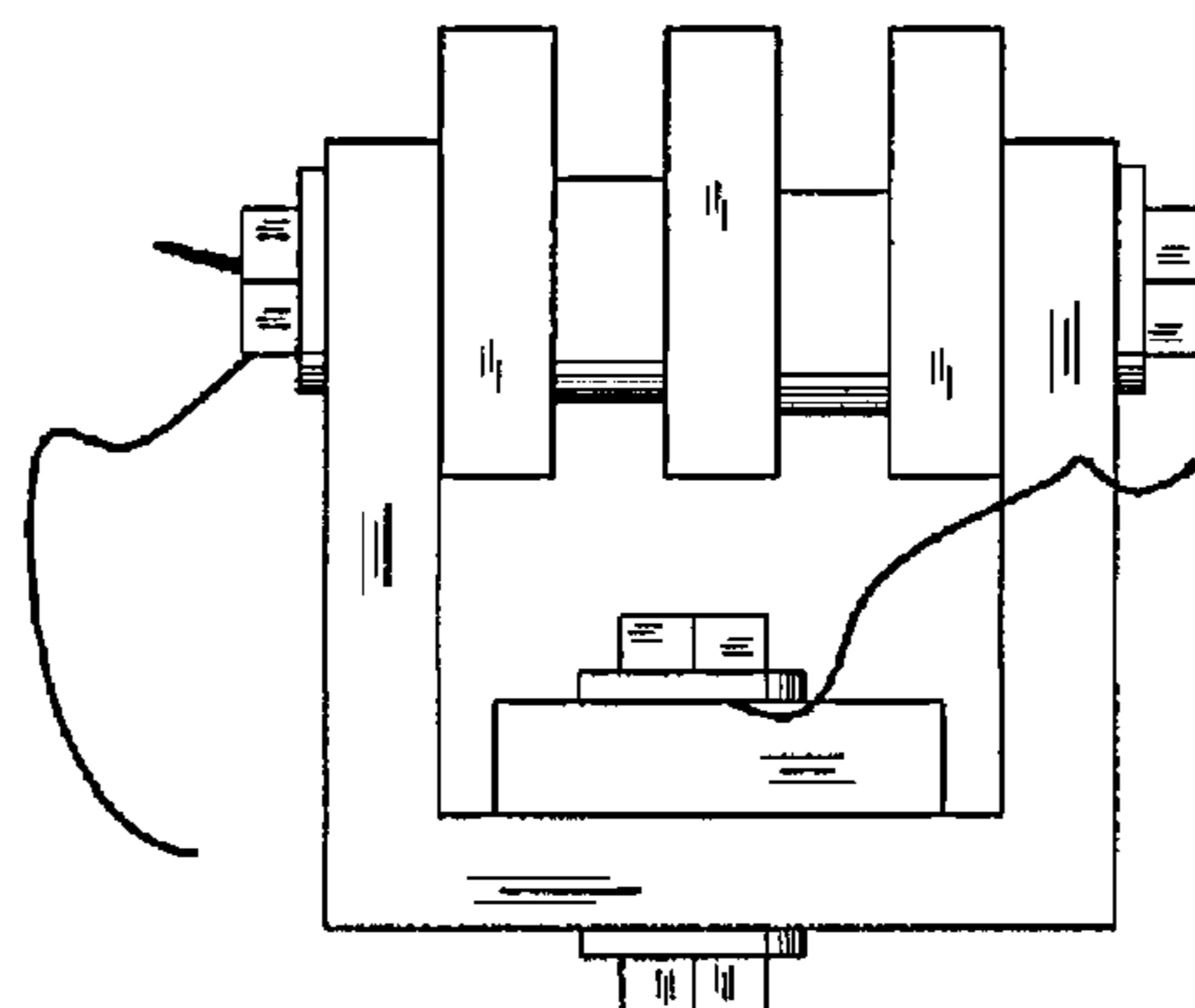


Fig 5

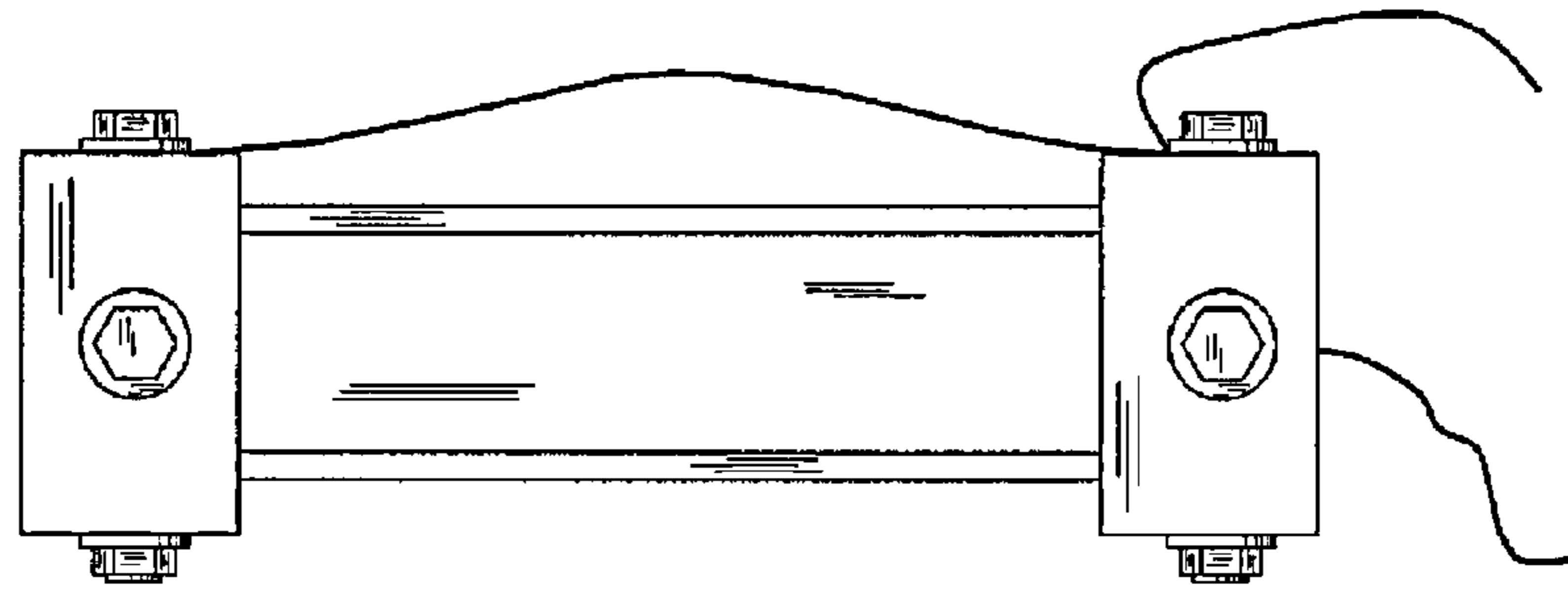


Fig 6

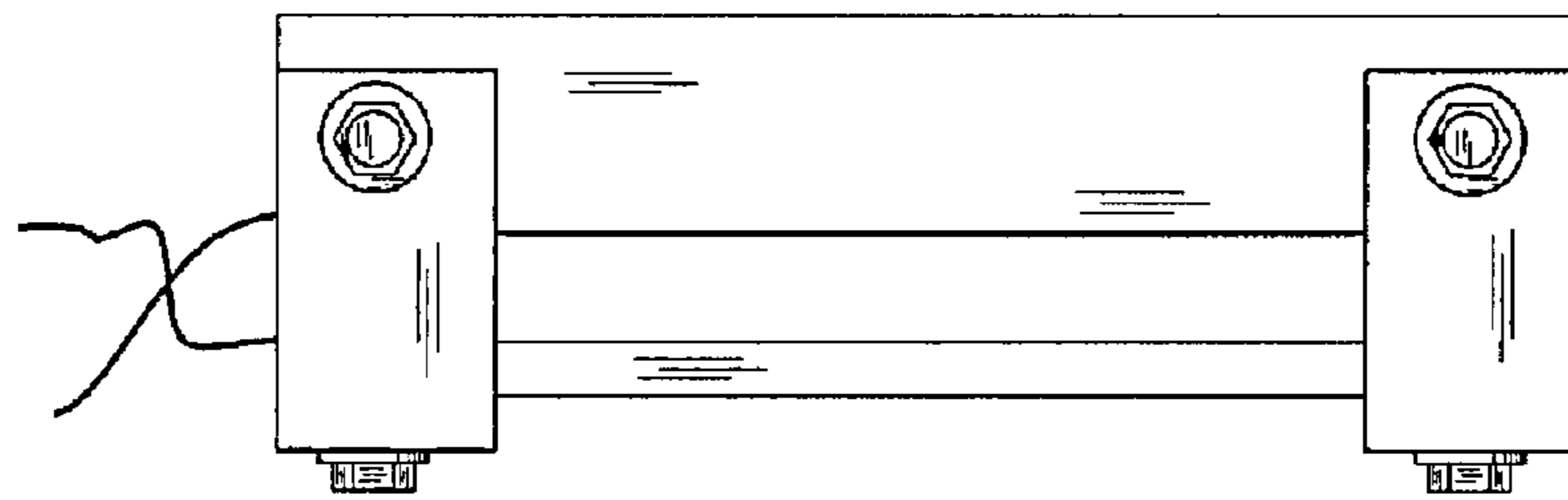


Fig 7

