



US00D743283S

(12) **United States Design Patent**
Sheikh et al.

(10) **Patent No.:** **US D743,283 S**

(45) **Date of Patent:** **** Nov. 17, 2015**

(54) **FLAT SCALE**

(71) Applicant: **Heys International Ltd.**, Mississauga (CA)

(72) Inventors: **Emran Sheikh**, Mississauga (CA);
Alden Evangelista, Woodbridge (CA);
Ben Niu, Thornhill (CA)

(73) Assignee: **Heys International Ltd.**, Mississauga (CA)

(**) Term: **14 Years**

(21) Appl. No.: **29/511,349**

(22) Filed: **Dec. 10, 2014**

(30) **Foreign Application Priority Data**

Jun. 17, 2014 (CA) 157249

(51) **LOC (10) Cl.** **10-04**

(52) **U.S. Cl.**
USPC **D10/89**

(58) **Field of Classification Search**

USPC D10/87-94; 177/1-264

CPC G01G 3/00-3/18; G01G 7/00-7/06;
G01G 5/00-5/06; G01G 1/00-1/42; G01G
9/00-9/005; G01G 11/00-11/20; G01G
13/00-13/34; G01G 15/00-15/047; G01G
17/00-17/08

See application file for complete search history.

(56) **References Cited**

U.S. PATENT DOCUMENTS

D575,178 S * 8/2008 Thybulle D10/89

D575,179 S * 8/2008 Thybulle D10/89

D653,135 S * 1/2012 Sheikh D10/89

2011/0186356 A1 * 8/2011 Sheikh 177/25.13

* cited by examiner

Primary Examiner — Antoine D Davis

(74) *Attorney, Agent, or Firm* — Bereskin & Parr LLP/S.E.N.C.R.L., s.r.l.

(57) **CLAIM**

The ornamental design of a flat scale, as shown.

DESCRIPTION

FIG. 1 is a top perspective view to one side of a flat scale with the scale hook in a stowed position;

FIG. 2 is a bottom perspective view to one side of the flat scale of FIG. 1;

FIG. 3 is a side elevation view of one side of the flat scale of FIG. 1;

FIG. 4 is an end view flat scale of FIG. 1;

FIG. 5 is a side elevation view of the other side of the flat scale of FIG. 1;

FIG. 6 is an end view of the other side of the flat scale of FIG. 1;

FIG. 7 is a top plan view of the flat scale of FIG. 1;

FIG. 8 is a bottom plan view of the flat scale of FIG. 1;

FIG. 9 is a top perspective view to one side of the flat scale with the scale hook in a deployed position;

FIG. 10 is a bottom perspective view to one side of the flat scale of FIG. 9;

FIG. 11 is a side elevation view of one side of the flat scale of FIG. 9;

FIG. 12 is an end view of the flat scale of FIG. 9;

FIG. 13 is a side elevation view of the other side of the flat scale of FIG. 9;

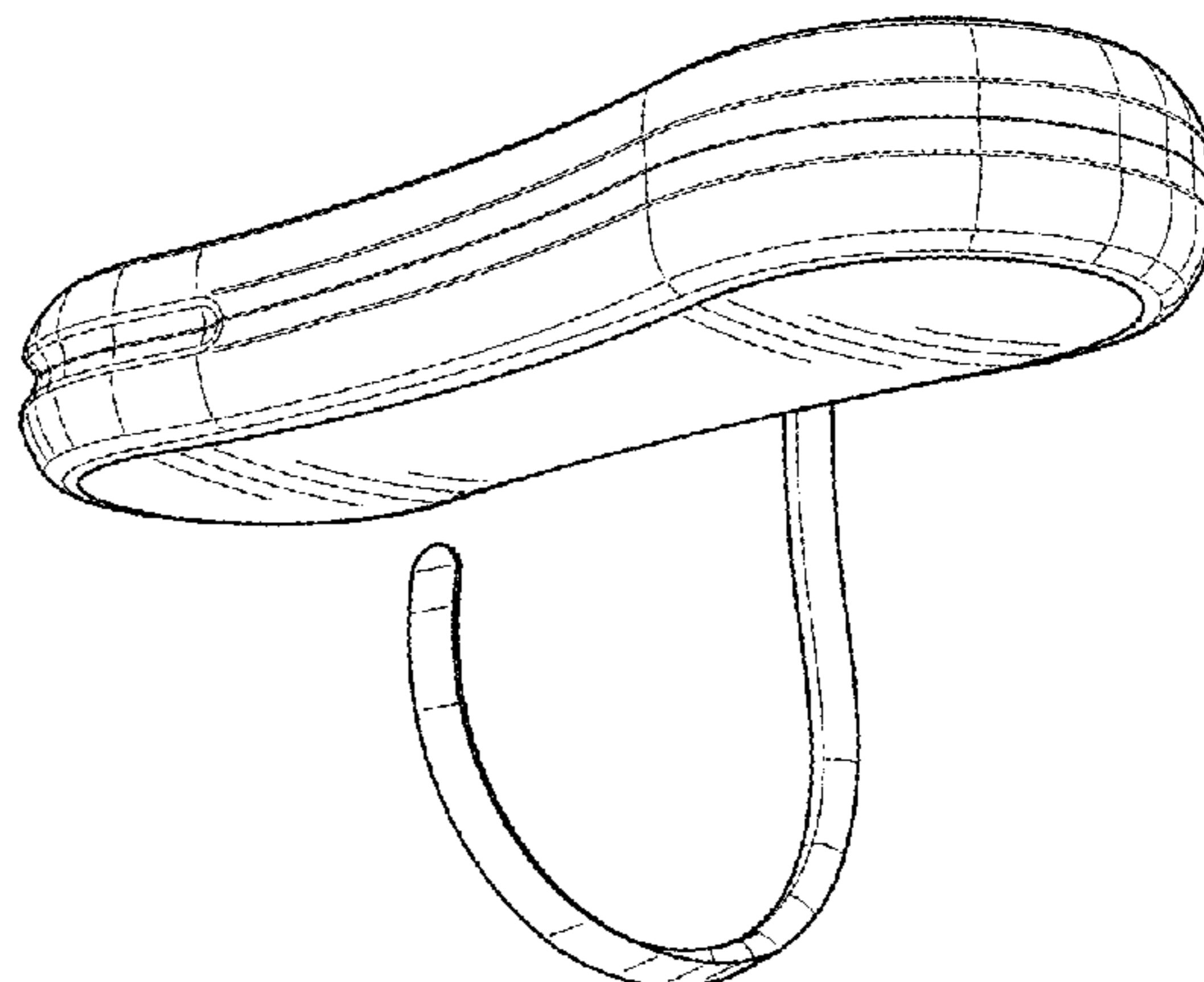
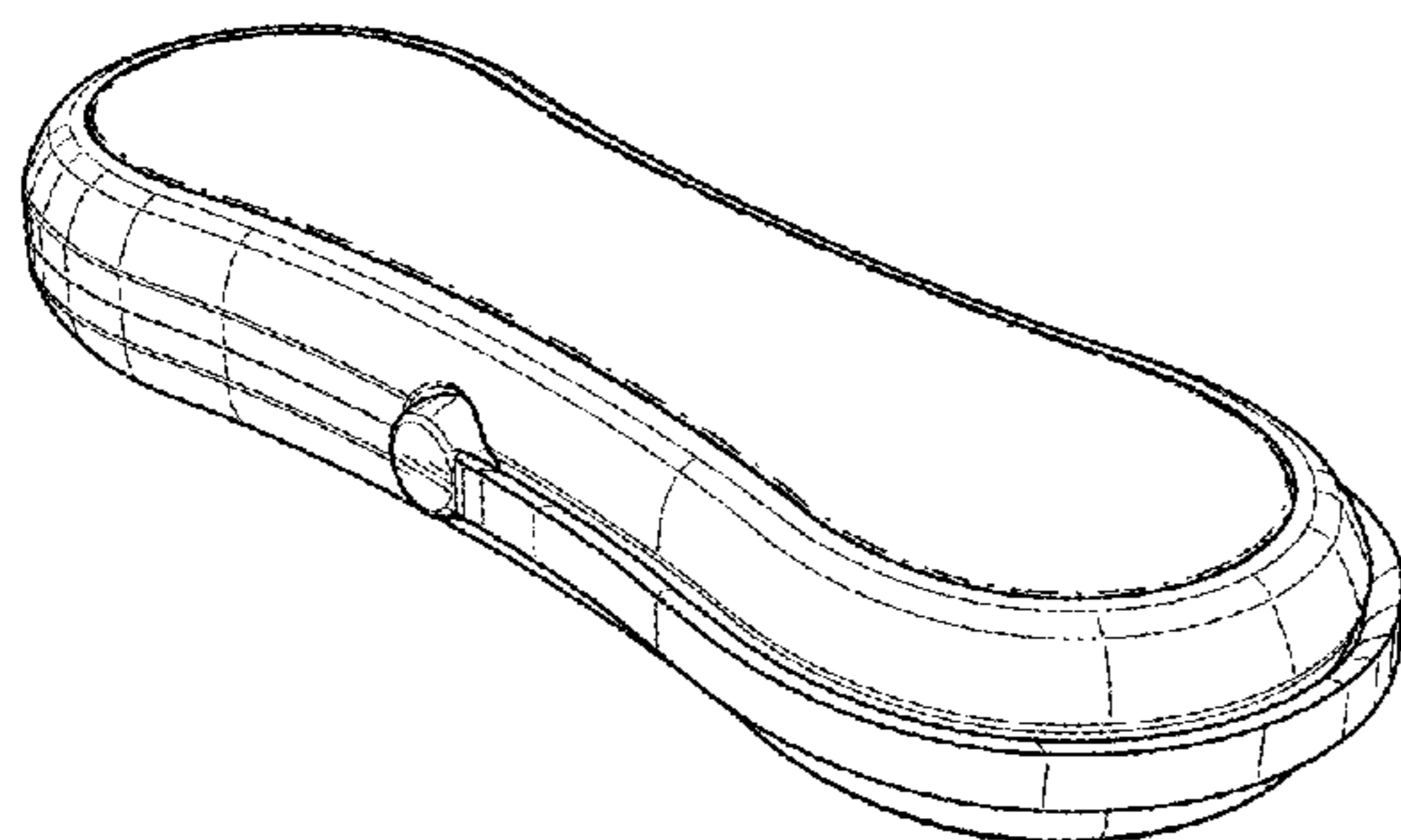
FIG. 14 is an end view of the other side of the flat scale of FIG. 9;

FIG. 15 is a top plan view of the flat scale of FIG. 9; and,

FIG. 16 is a bottom plan view of the flat scale of FIG. 9.

The stippled lines do not form part of the claimed design.

1 Claim, 8 Drawing Sheets



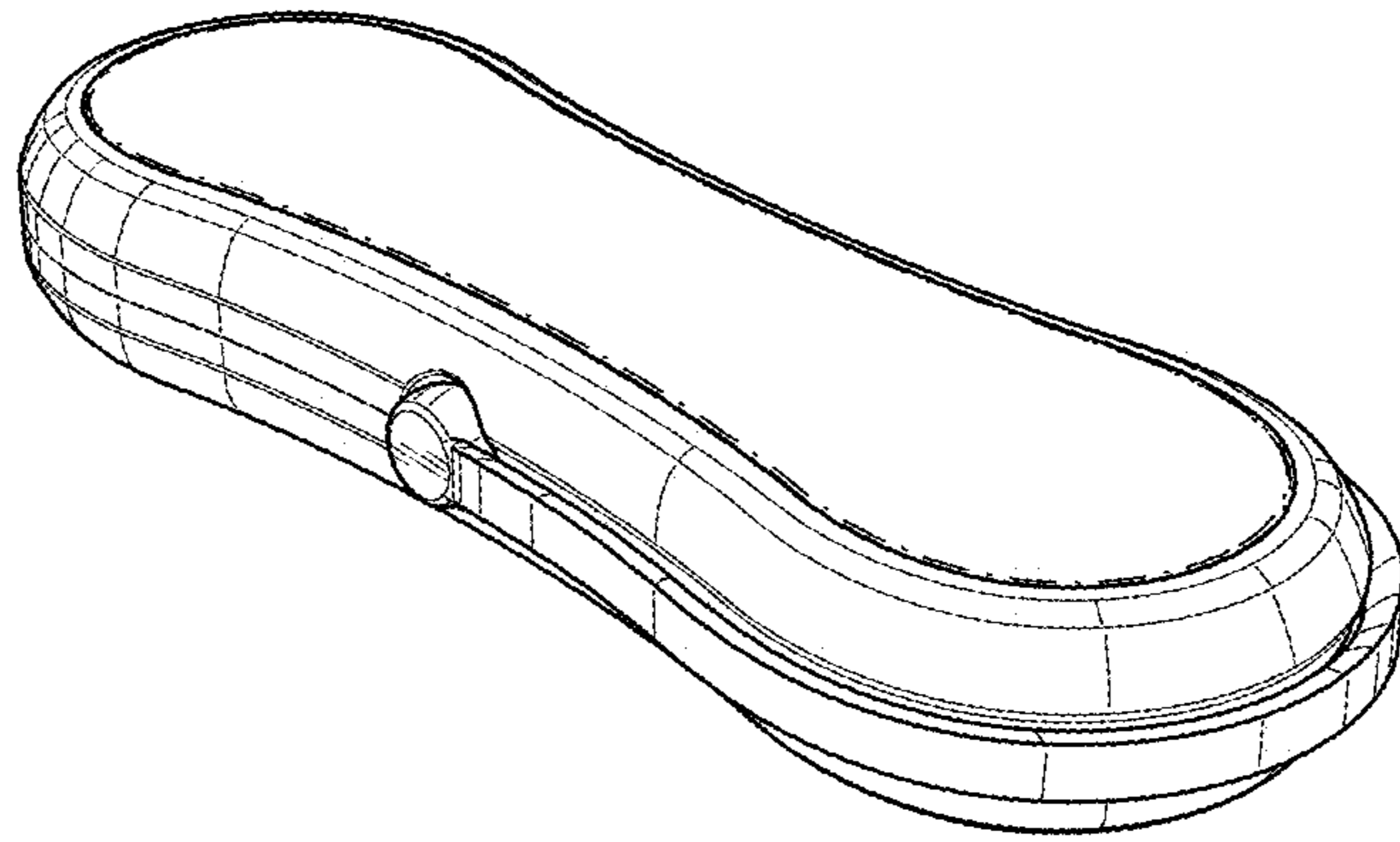


FIG. 1

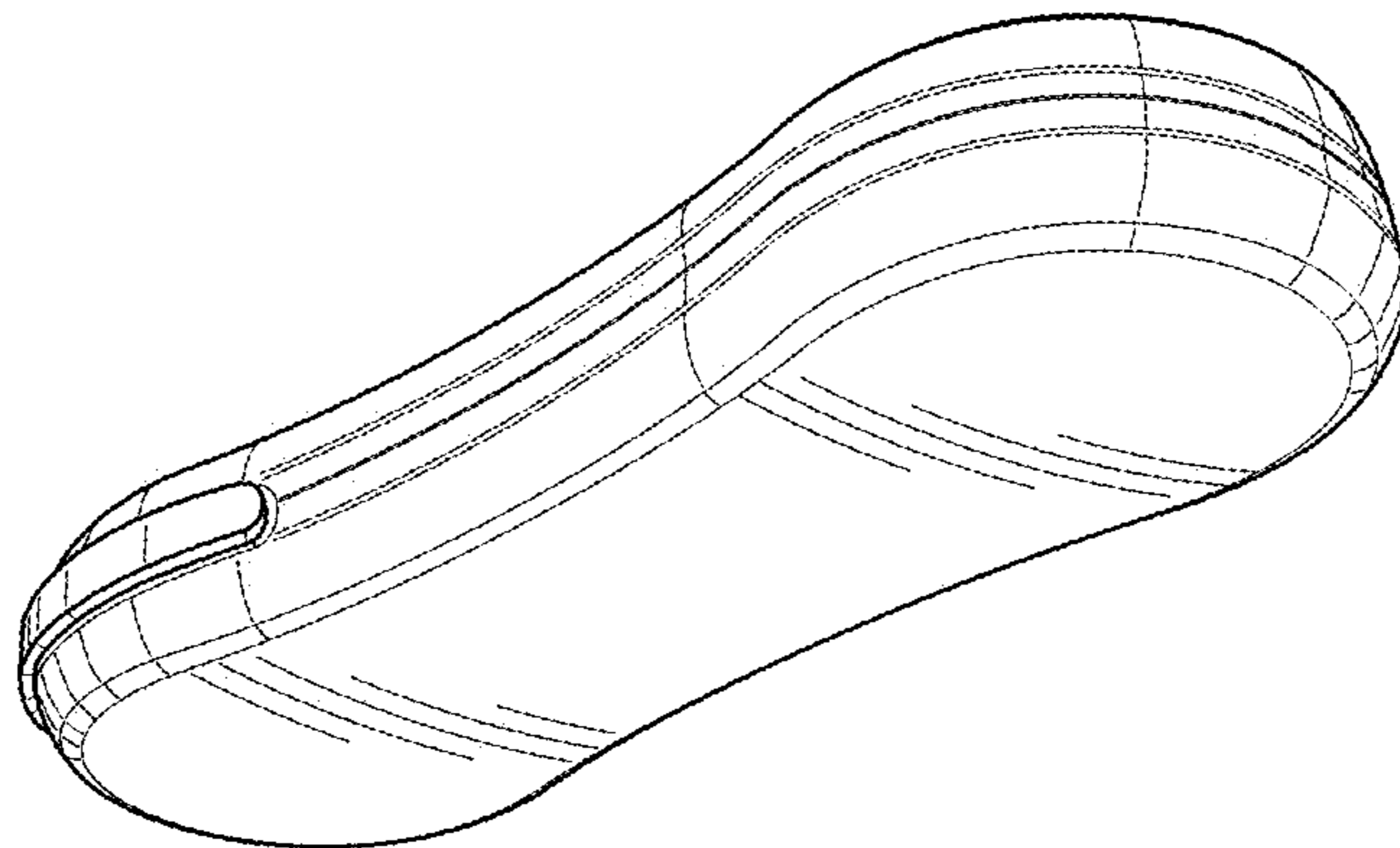


FIG. 2

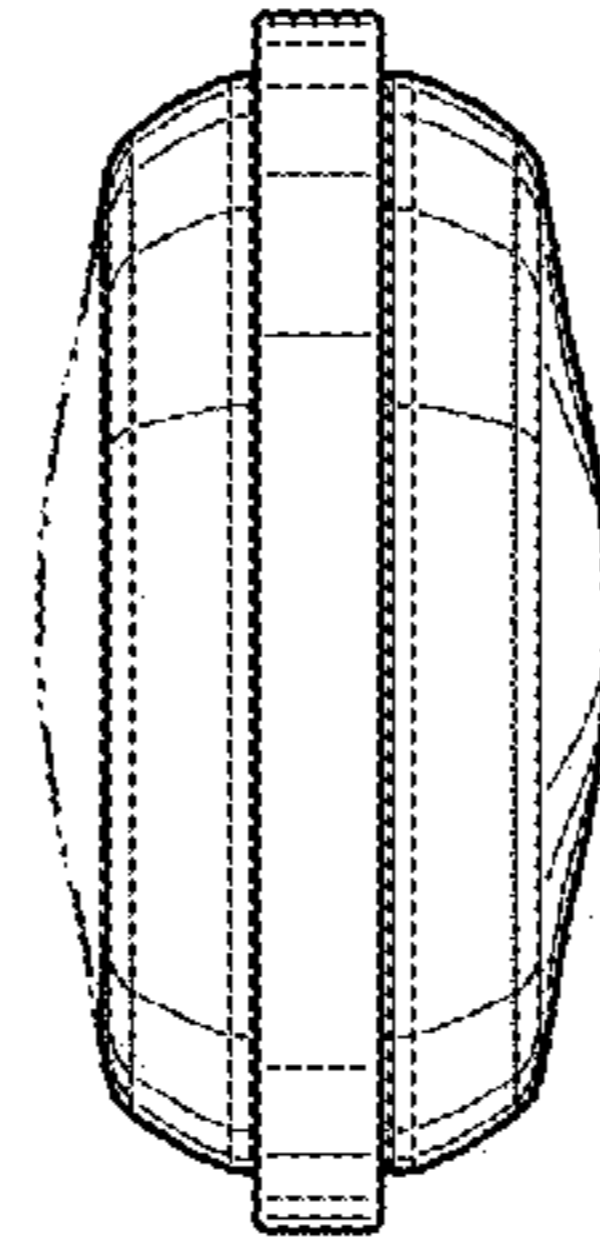


FIG. 4

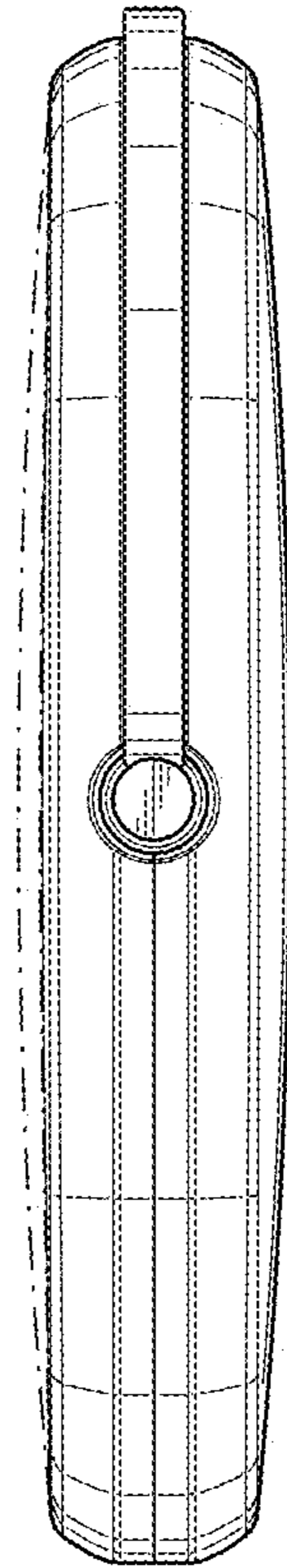


FIG. 3

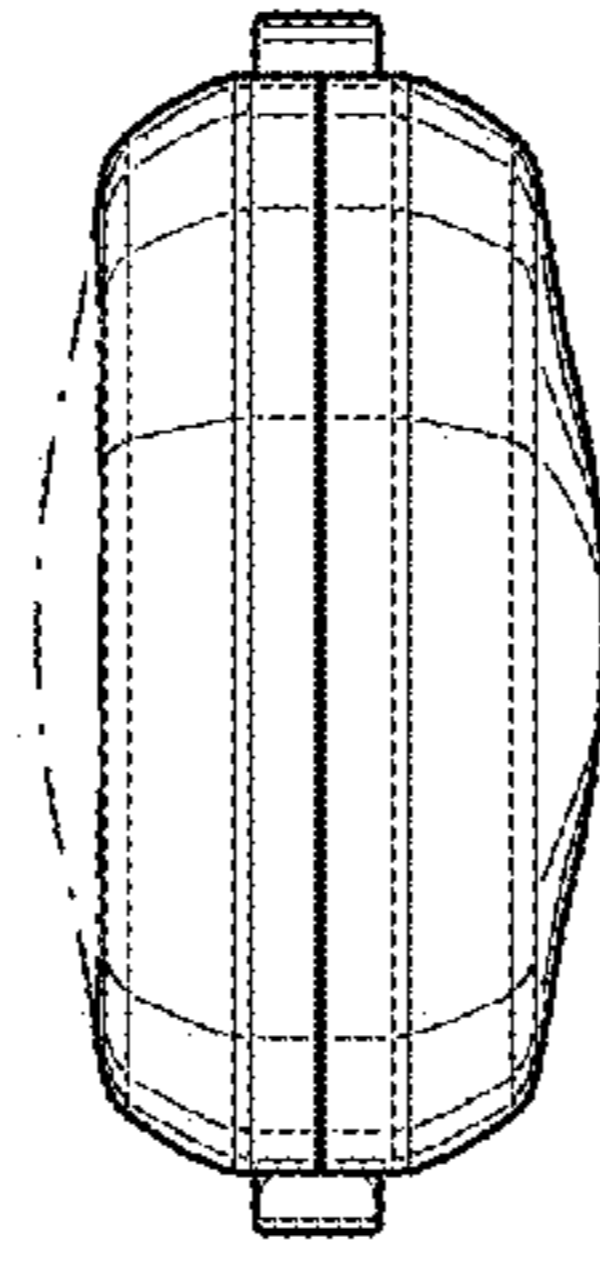


FIG. 6

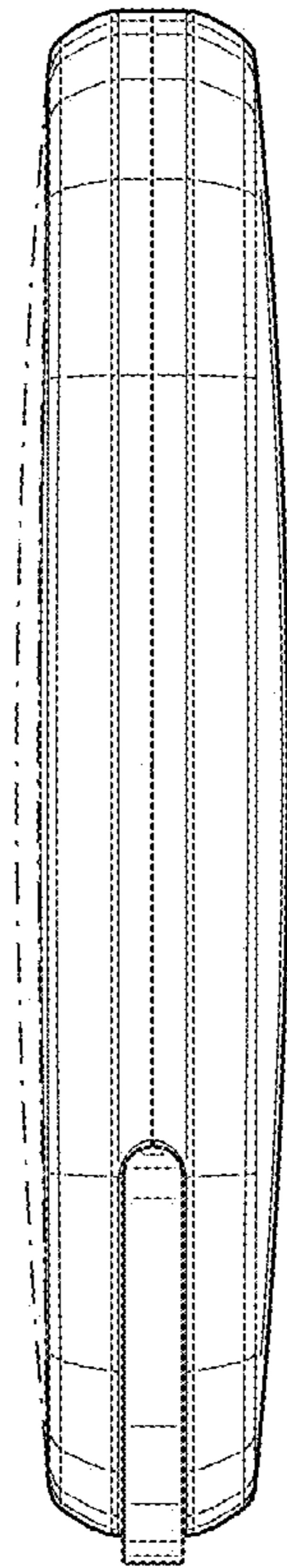


FIG. 5

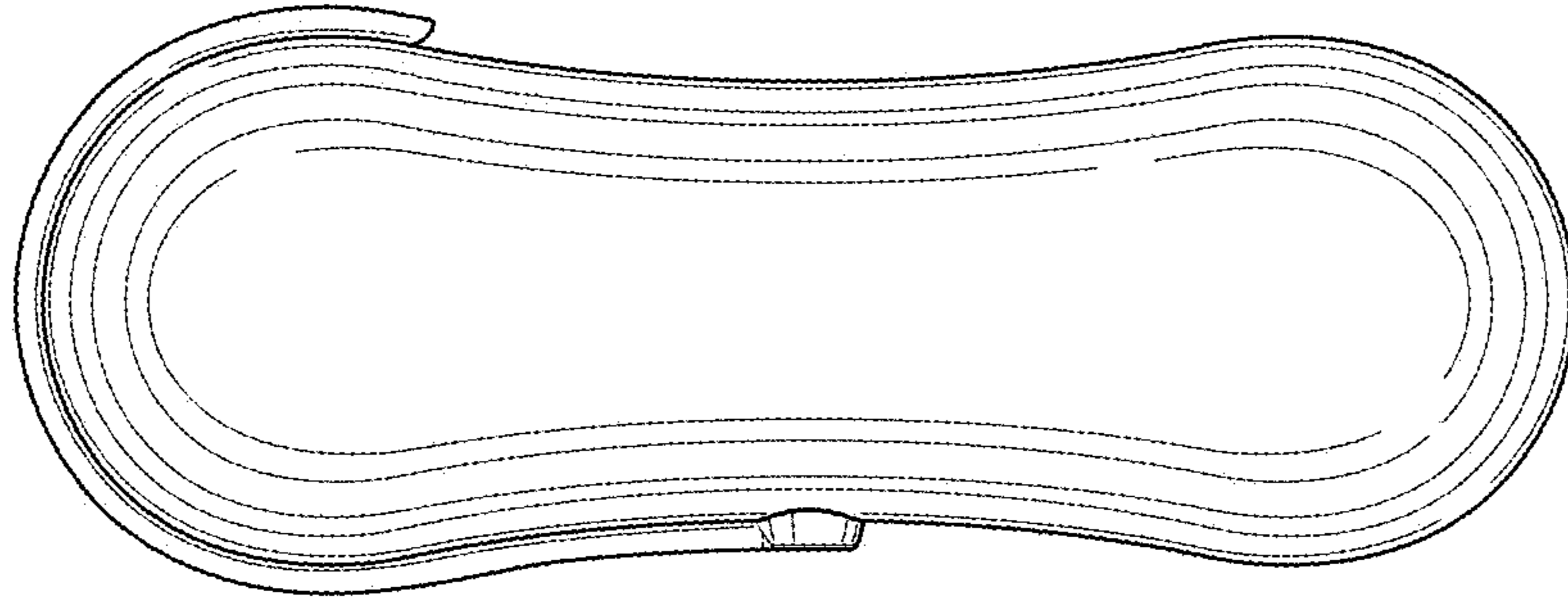


FIG. 8

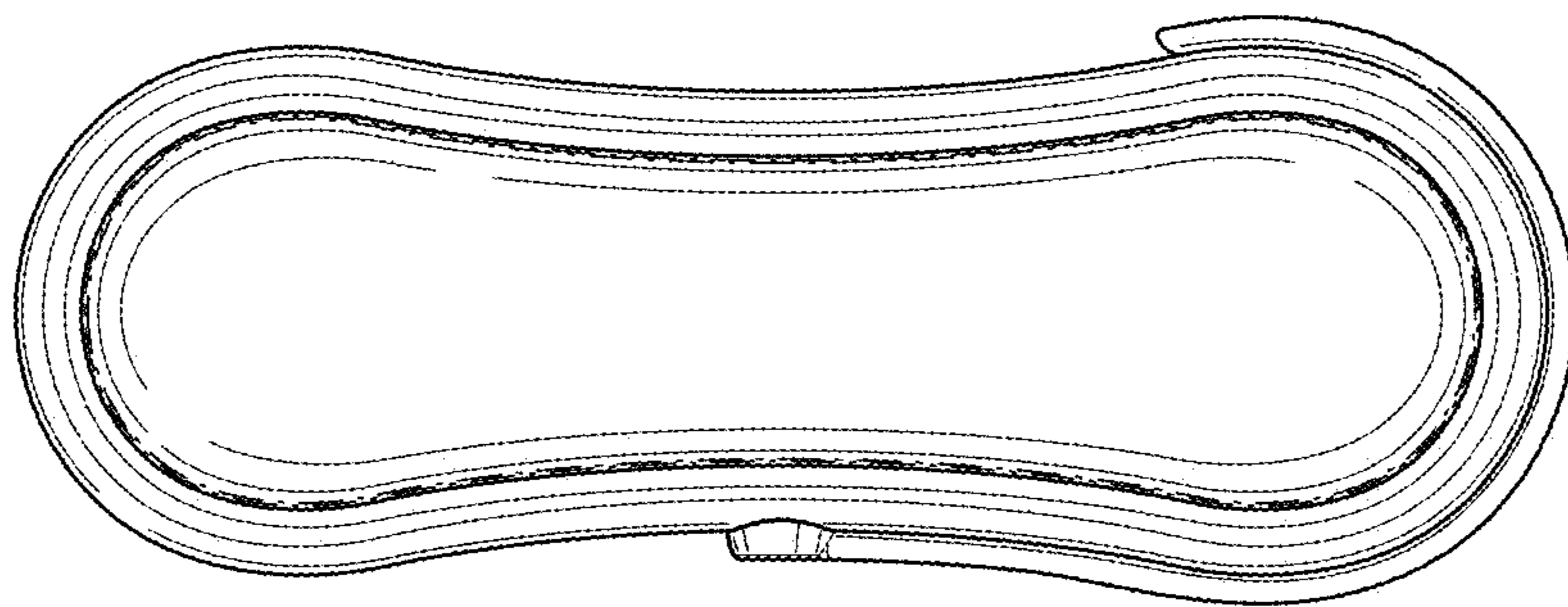


FIG. 7

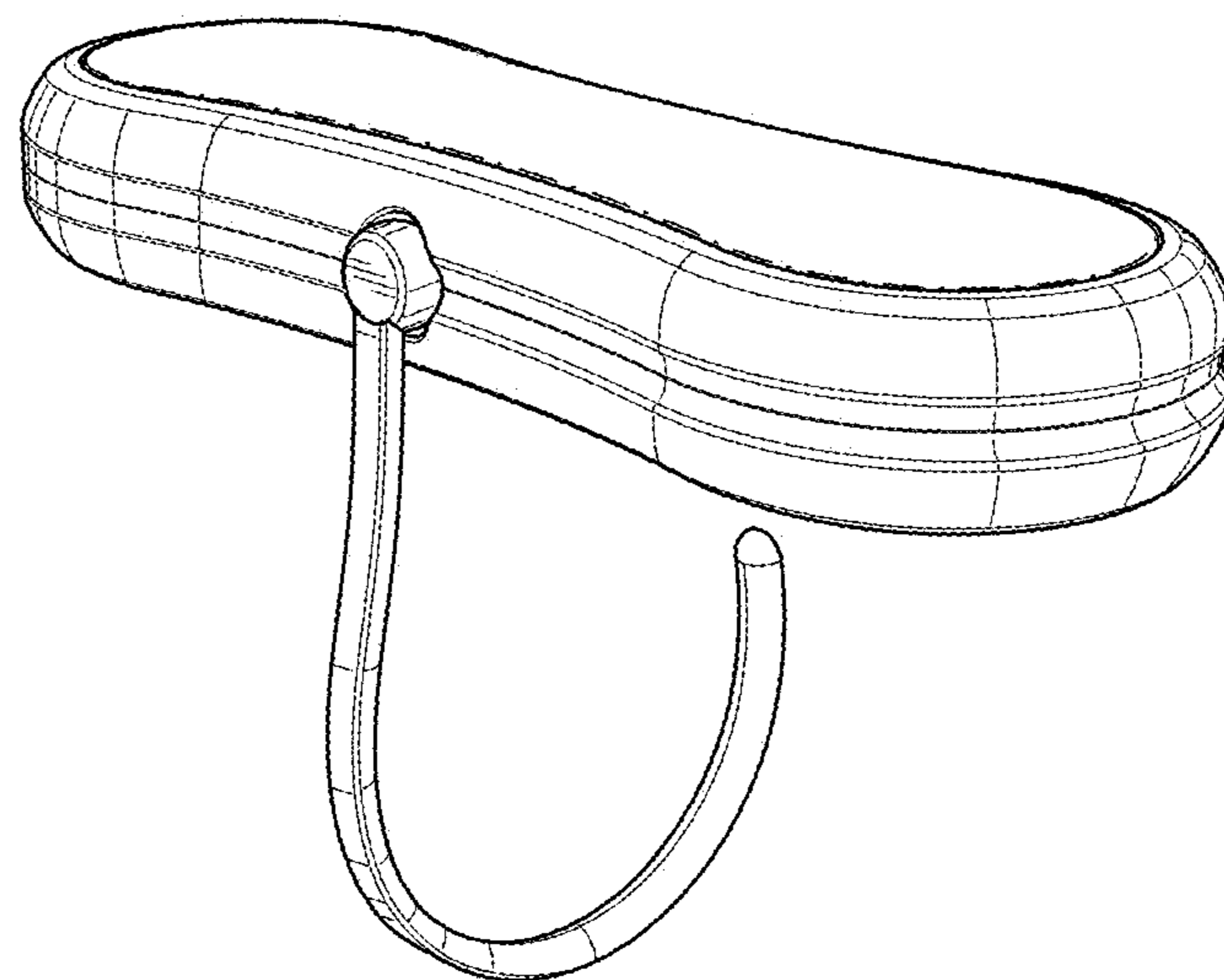


FIG. 9

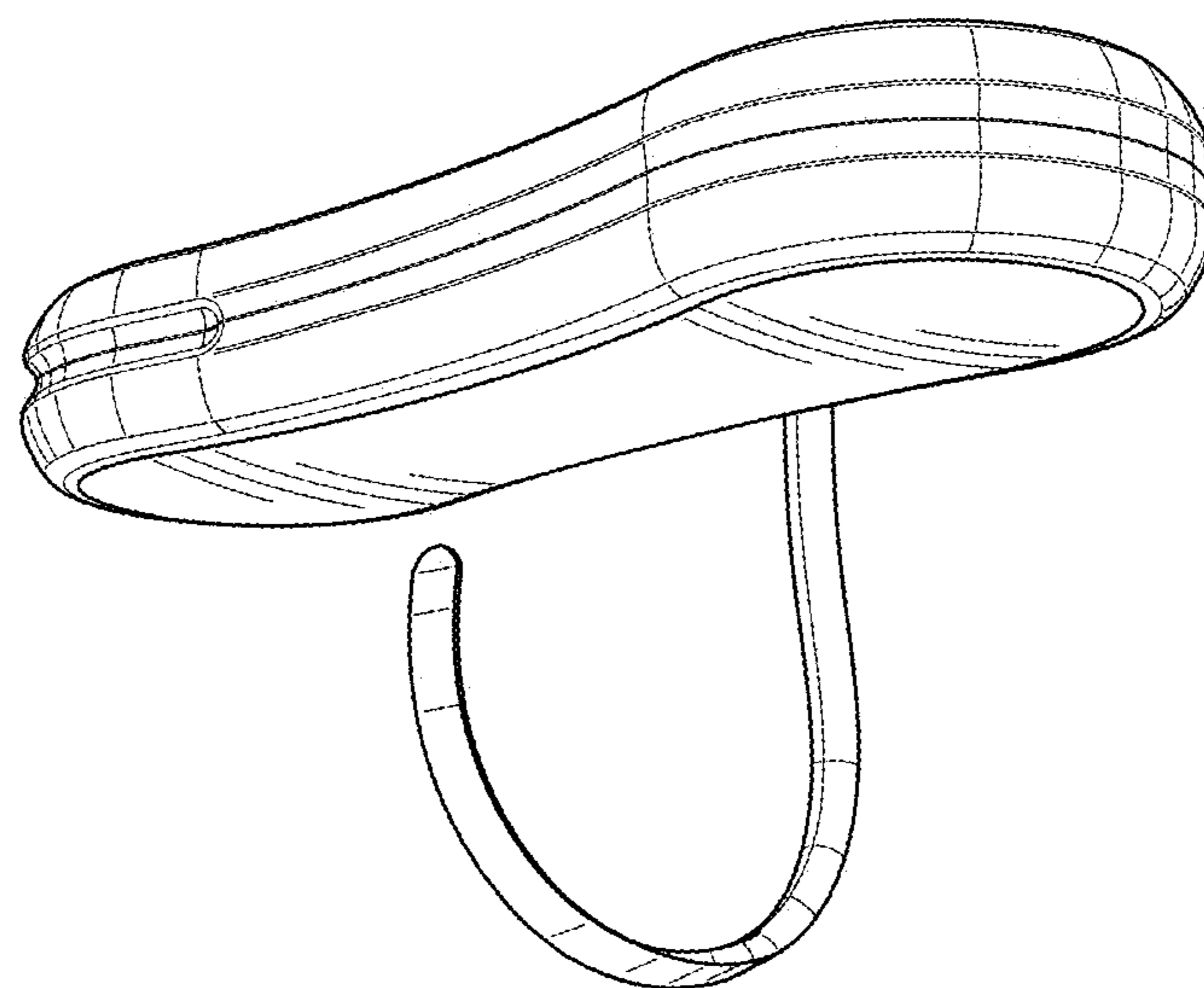


FIG. 10

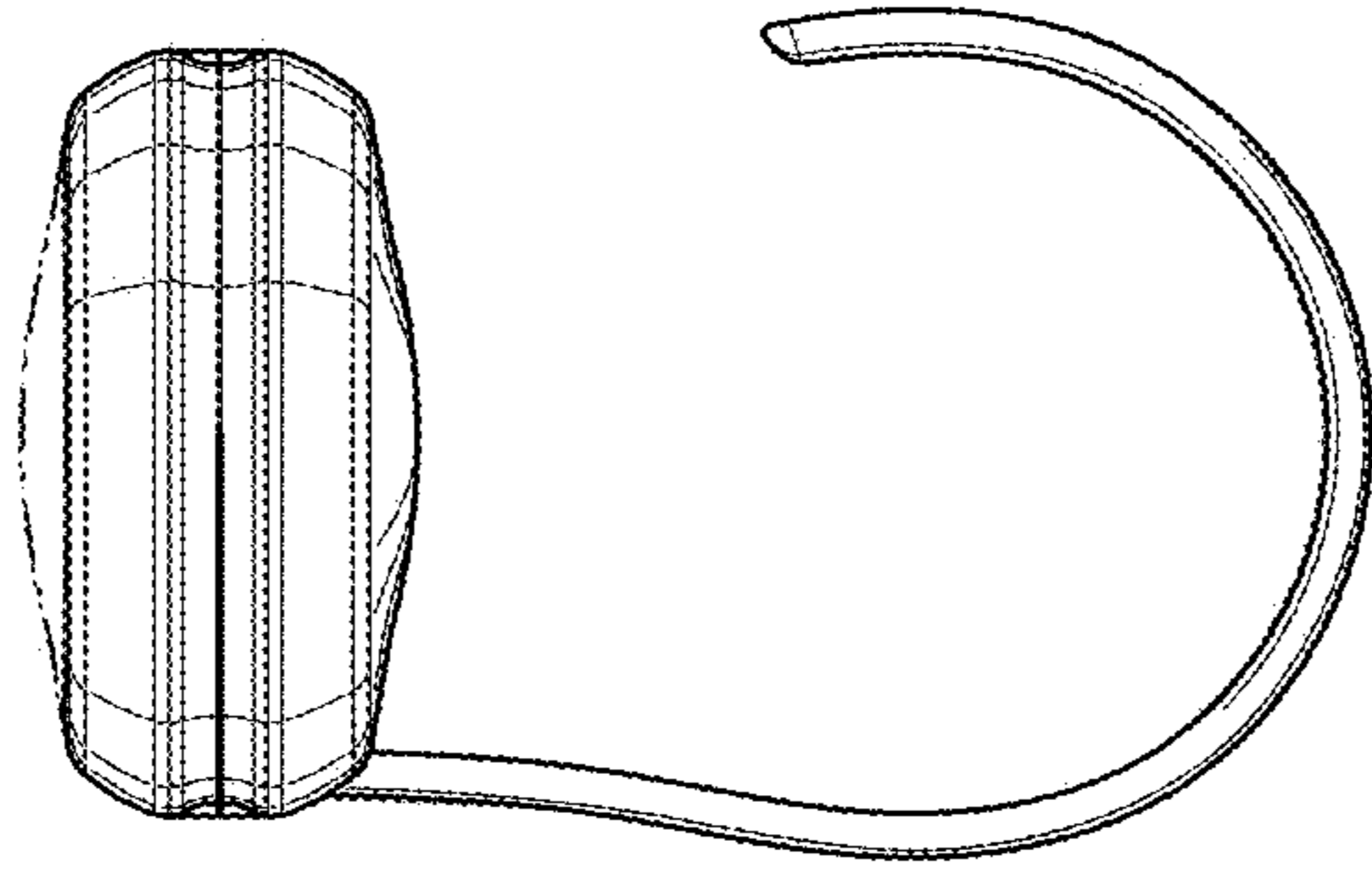


FIG. 12

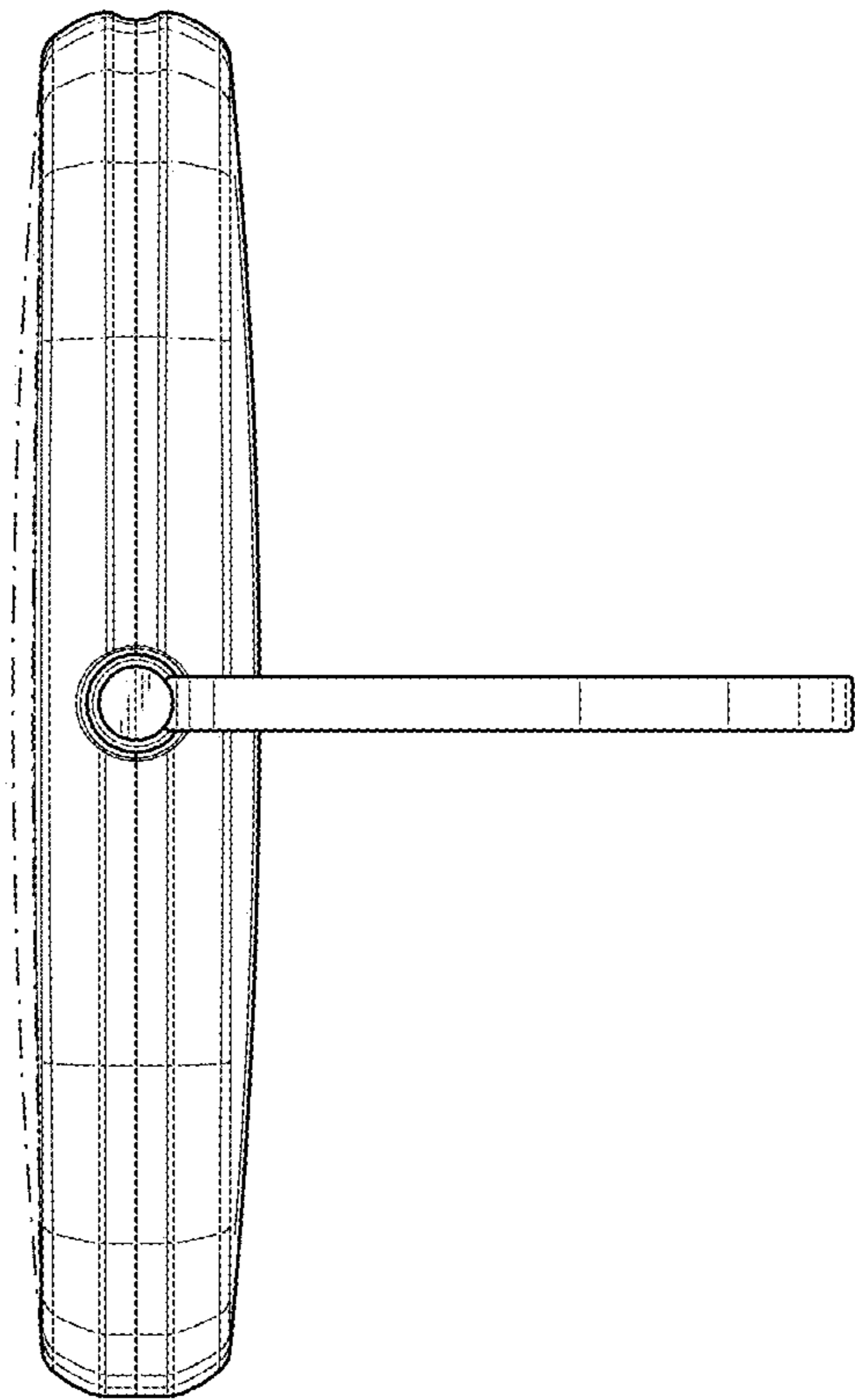


FIG. 11

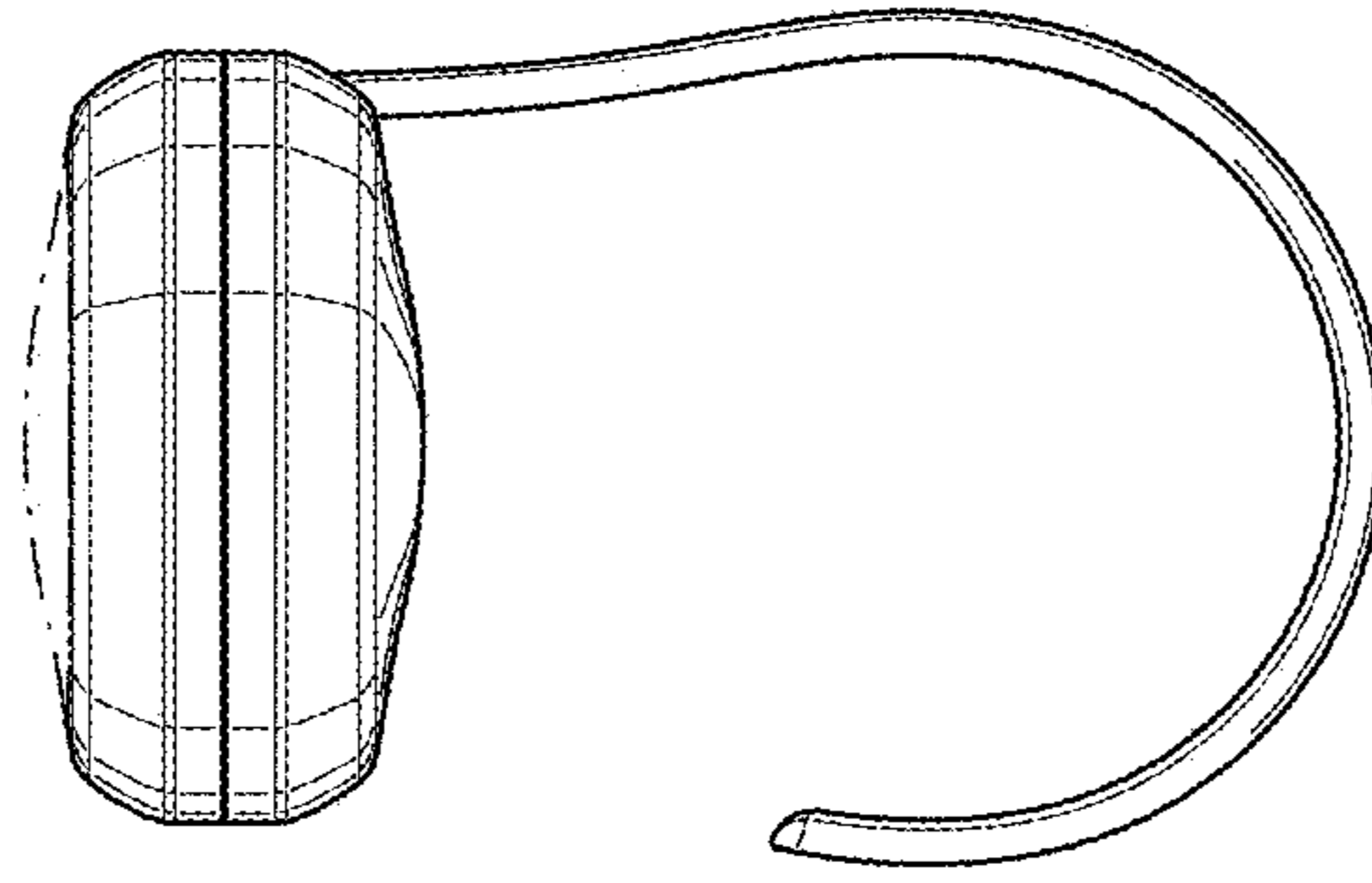


FIG. 14

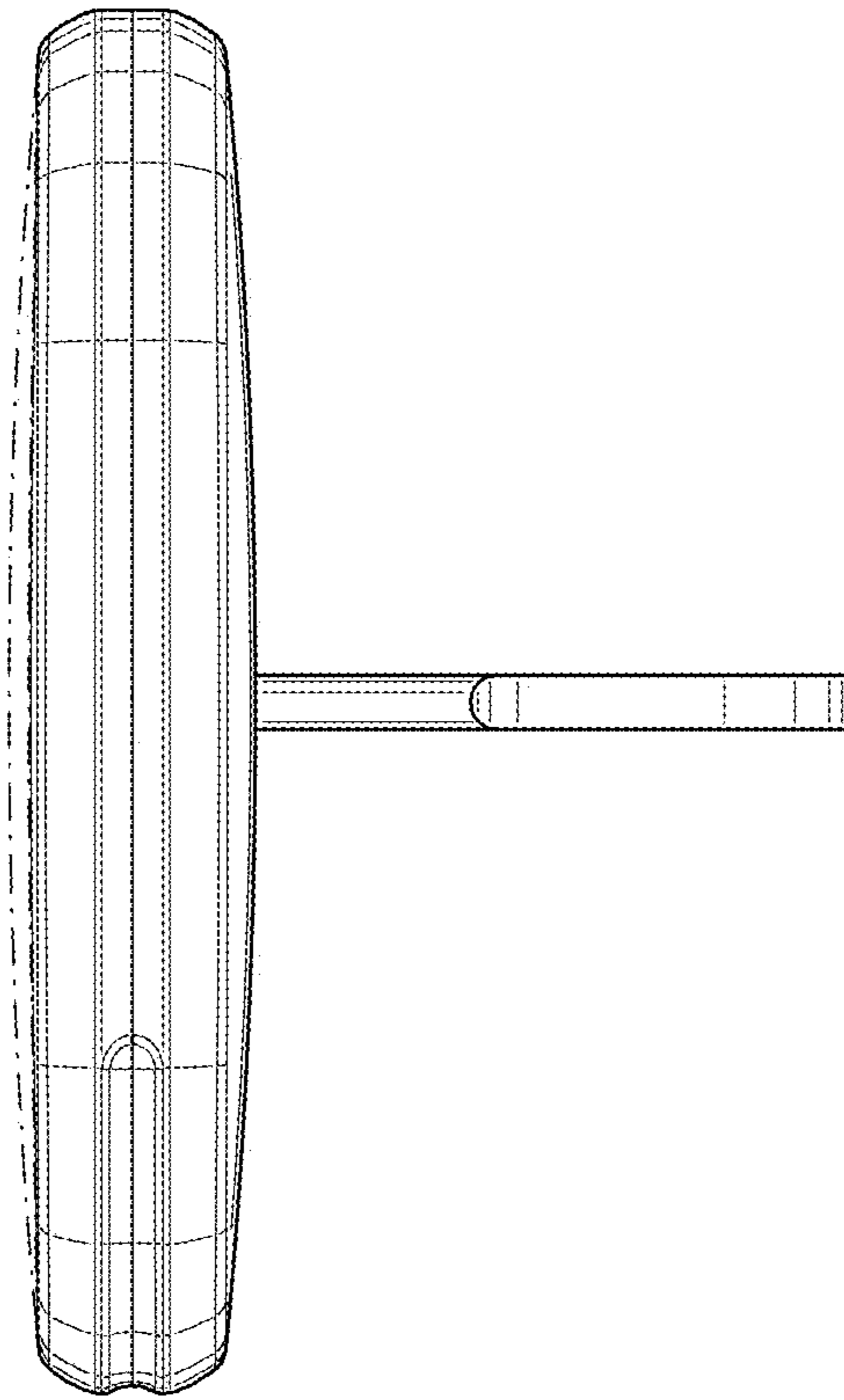


FIG. 13

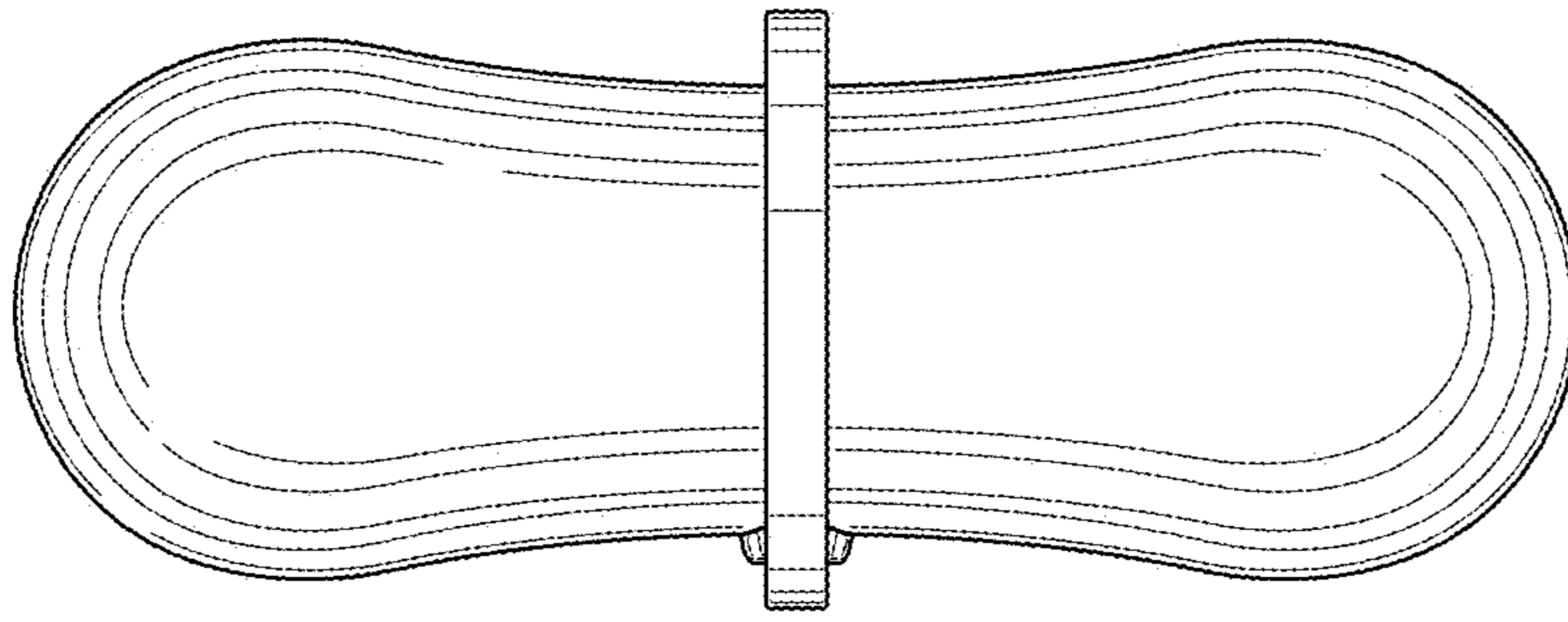


FIG. 15

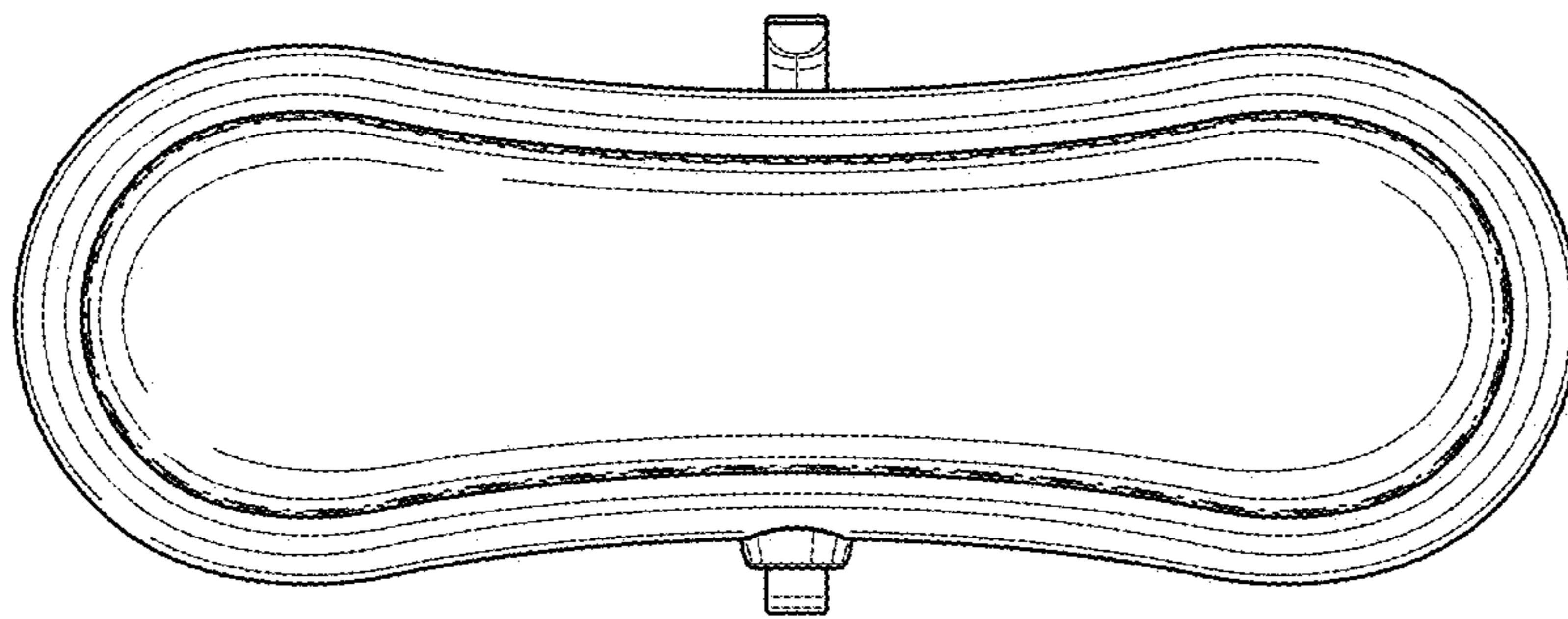


FIG. 16