



US00D743282S

(12) **United States Design Patent**
Park et al.

(10) **Patent No.:** **US D743,282 S**

(45) **Date of Patent:** **** Nov. 17, 2015**

(54) **WEARABLE DEVICE**

(71) Applicant: **LG ELECTRONICS INC.**, Seoul (KR)

(72) Inventors: **Seala Park**, Seoul (KR); **Seongjae Lim**,
Seoul (KR); **Hyunwoo Yoo**, Seoul (KR)

(73) Assignee: **LG Electronics Inc.**, Seoul (KR)

(**) Term: **14 Years**

(21) Appl. No.: **29/524,344**

(22) Filed: **Apr. 20, 2015**

(30) **Foreign Application Priority Data**

Oct. 21, 2014 (KR) 30-2014-0050496

(51) **LOC (10) Cl.** **10-04**

(52) **U.S. Cl.**
USPC **D10/70; D10/30**

(58) **Field of Classification Search**
USPC D10/30-39, 65, 70, 97, 98; D11/3;
D14/138 R, 203.5, 203.6, 341, 344,
D14/347; D24/167, 168

CPC A44C 5/00-5/16; G04B 37/00-37/228;
G04B 45/0069; G04B 47/04; G04B
19/00-19/34; G04B 21/12; G04B 23/12;
G04B 47/00-47/068; G01C 17/00; G01C
21/00-21/3697

See application file for complete search history.

(56) **References Cited**

U.S. PATENT DOCUMENTS

D446,731 S *	8/2001	Subilia	D10/30
D471,468 S *	3/2003	Houlihan	D10/30
D586,674 S *	2/2009	Solarewicz	D10/38
D602,386 S *	10/2009	Ueda et al.	D10/98

* cited by examiner

Primary Examiner — Antoine D Davis

(74) *Attorney, Agent, or Firm* — Birch, Stewart, Kolasch &
Birch, LLP

(57) **CLAIM**

The ornamental design for a wearable device, as shown and described.

DESCRIPTION

FIG. 1 is a perspective view of a wearable device showing our new design;

FIG. 2 is a front view thereof;

FIG. 3 is a rear view thereof;

FIG. 4 is a left side view thereof;

FIG. 5 is a right side view thereof;

FIG. 6 is a top plan view thereof; and,

FIG. 7 is a bottom plan view thereof.

The broken lines depict portions of the wearable device that form no part of the claimed design.

1 Claim, 6 Drawing Sheets

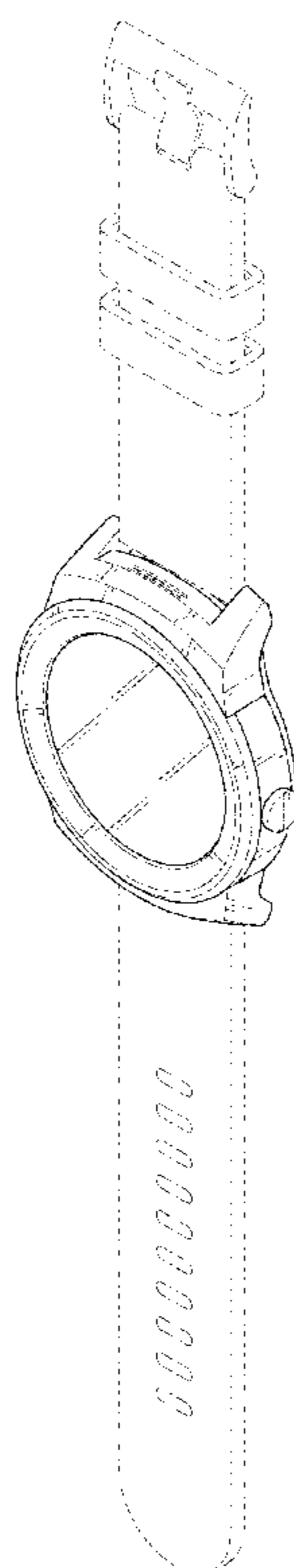


FIG. 1

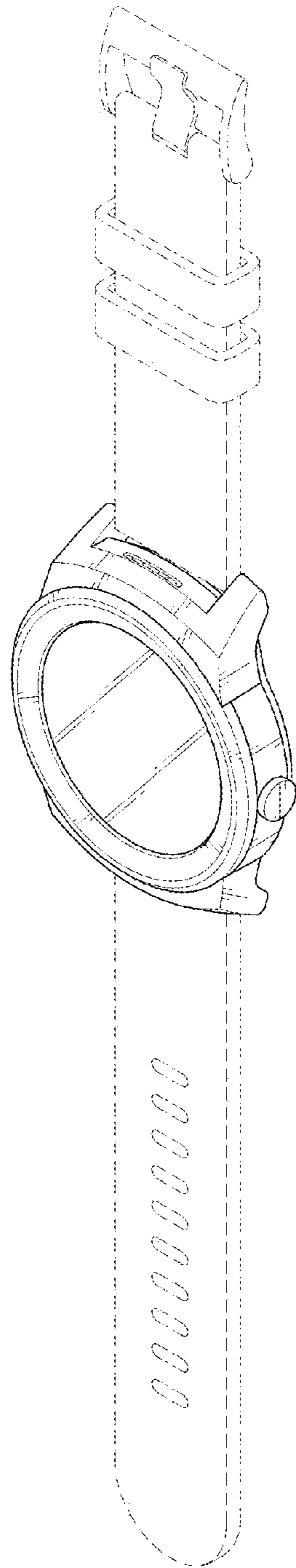


FIG. 2

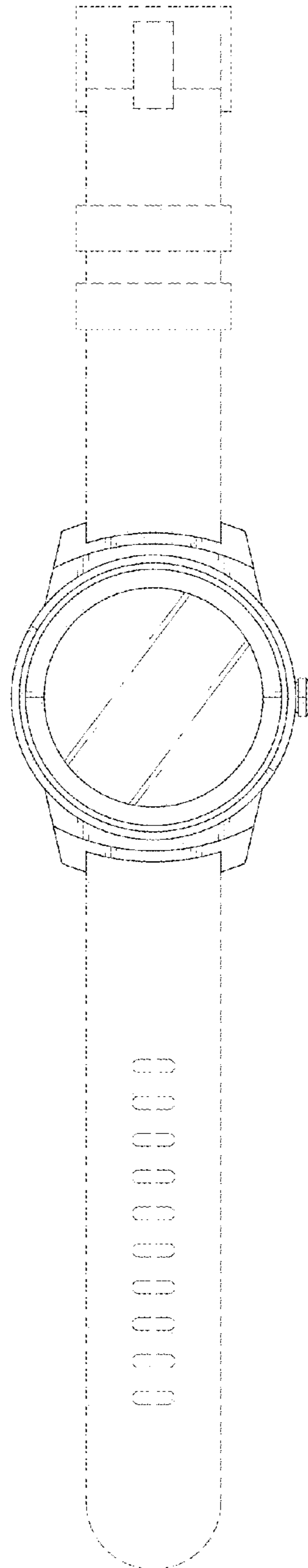


FIG. 3

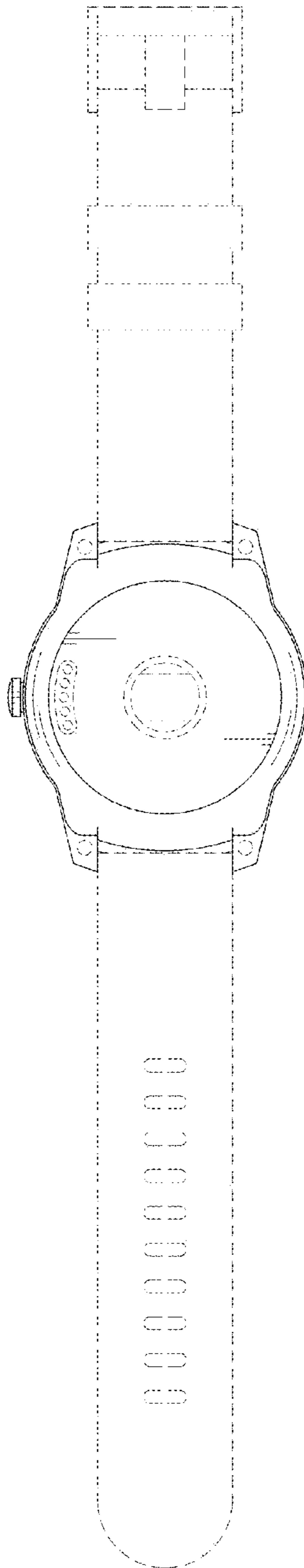


FIG. 4

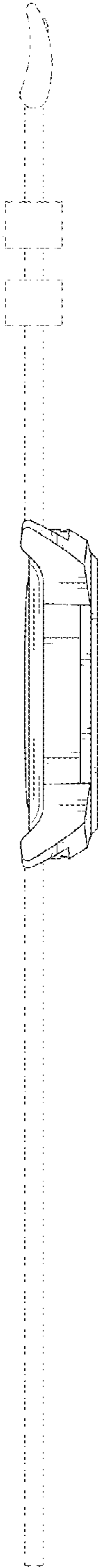


FIG. 5

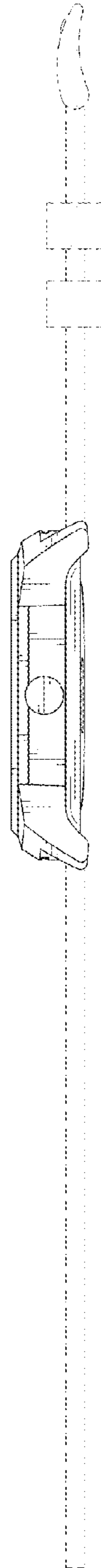


FIG. 6

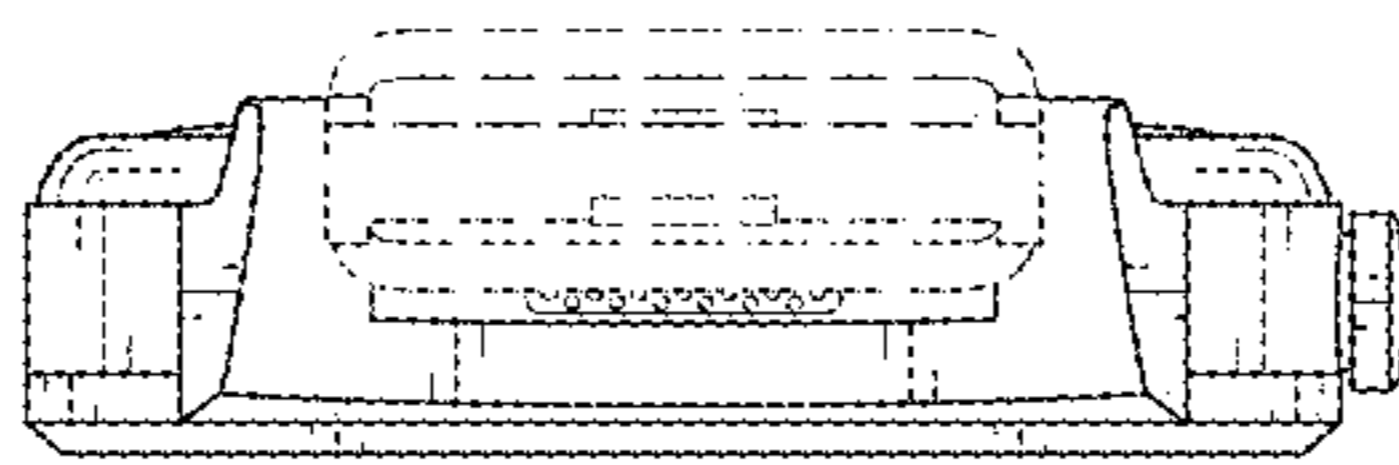


FIG. 7

