



US00D743281S

(12) **United States Design Patent**  
**Wojciechowski et al.**

(10) **Patent No.:** **US D743,281 S**

(45) **Date of Patent:** **\*\* Nov. 17, 2015**

(54) **BOX BEAM LEVEL**

(71) Applicant: **Diamond Tech LLC**, Carson City, NV  
(US)

(72) Inventors: **Timothy J. Wojciechowski**, Hubertus,  
WI (US); **William G. Johnson**, Mequon,  
WI (US); **Robert A. Johnson**, Mequon,  
WI (US); **John Dwyer**, Waukesha, WI  
(US)

(73) Assignee: **Diamond Tech LLC**, Carson City, NV  
(US)

(\*\*) Term: **14 Years**

(21) Appl. No.: **29/513,320**

(22) Filed: **Dec. 30, 2014**

(51) **LOC (10) Cl.** ..... **10-04**

(52) **U.S. Cl.**  
USPC ..... **D10/69**

(58) **Field of Classification Search**  
USPC ..... D10/69  
CPC ..... G01C 9/24; G01C 9/26; G01C 9/28;  
G01C 9/30; G01C 9/32; G01C 9/34; G01C  
9/36

See application file for complete search history.

(56) **References Cited**

**U.S. PATENT DOCUMENTS**

D364,104 S 11/1995 Johnson  
D469,370 S 1/2003 Gruetzmacher et al.  
D493,737 S 8/2004 Nickel

D521,399 S 5/2006 Johnson et al.  
D555,523 S 11/2007 Nickel et al.  
D582,808 S \* 12/2008 Cook ..... D10/69  
7,509,749 B1 \* 3/2009 Stefanko ..... 33/451  
D598,308 S \* 8/2009 Gofer ..... D10/69  
D598,309 S \* 8/2009 Gofer ..... D10/69  
D633,400 S 3/2011 Wojciechowski et al.  
D634,221 S 3/2011 Wojciechowski et al.  
D646,594 S \* 10/2011 Allemant ..... D10/69  
D646,595 S \* 10/2011 Allemant ..... D10/69  
D646,596 S \* 10/2011 Allemant ..... D10/69  
D656,425 S 3/2012 Wojciechowski et al.  
D730,207 S \* 5/2015 Ben Josef et al. .... D10/69  
2006/0248738 A1 \* 11/2006 Tran et al. .... 33/451

\* cited by examiner

*Primary Examiner* — Antoine D Davis

(74) *Attorney, Agent, or Firm* — Boyle Fredrickson, S.C.

(57) **CLAIM**

The ornamental design of an box beam level, as shown and described.

**DESCRIPTION**

FIG. 1 is an isometric view of a box beam level incorporating our new design, wherein the portions in phantom form no part of the claimed design and the article is shown with a symbolic break in its length. The appearance of any portion of the article between the break lines forms no part of the claimed design;

FIG. 2 is a front elevation view thereof,

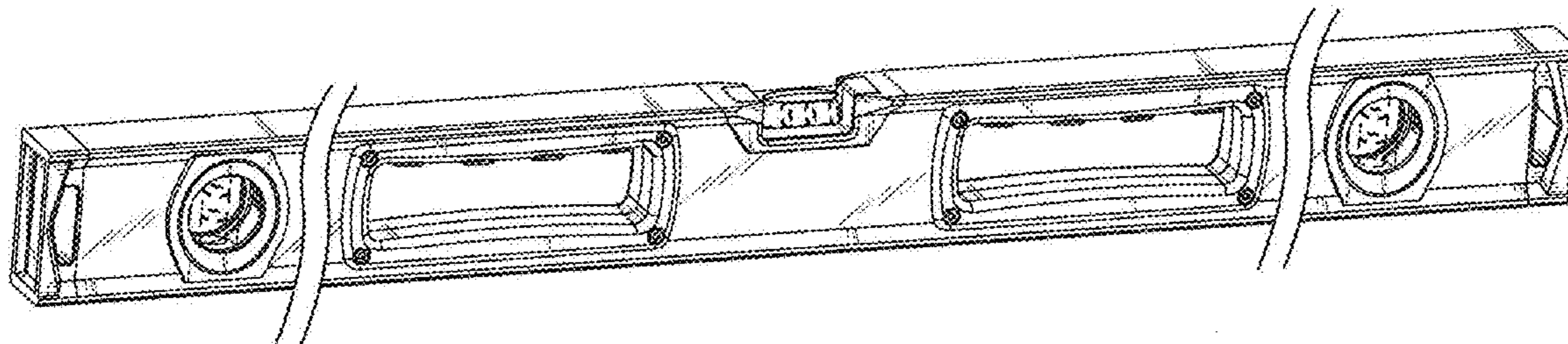
FIG. 3 is a rear elevation view thereof;

FIG. 4 is a top plan view thereof;

FIG. 5 is a bottom plan view thereof; and,

FIGS. 6 and 7 are end elevation views thereof.

**1 Claim, 4 Drawing Sheets**



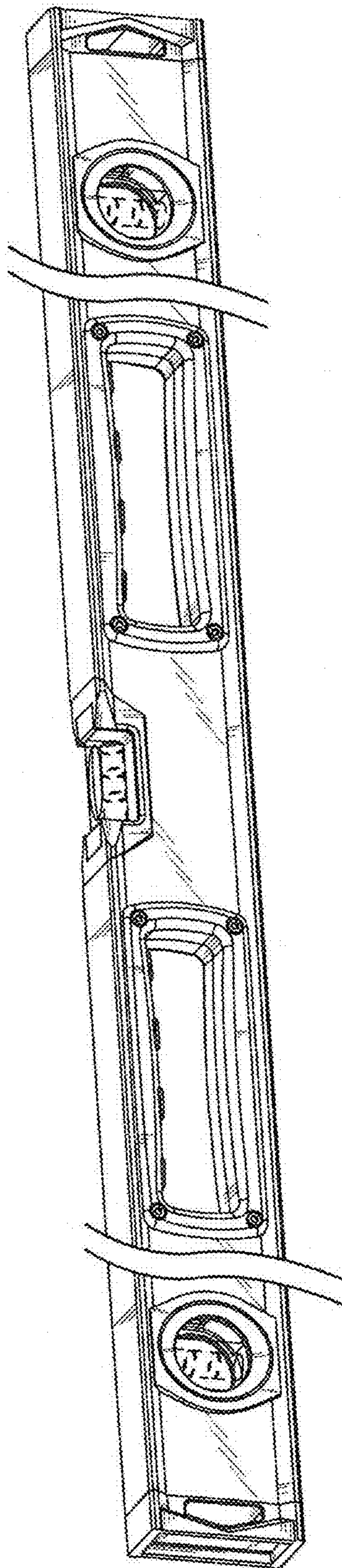


FIG. 1

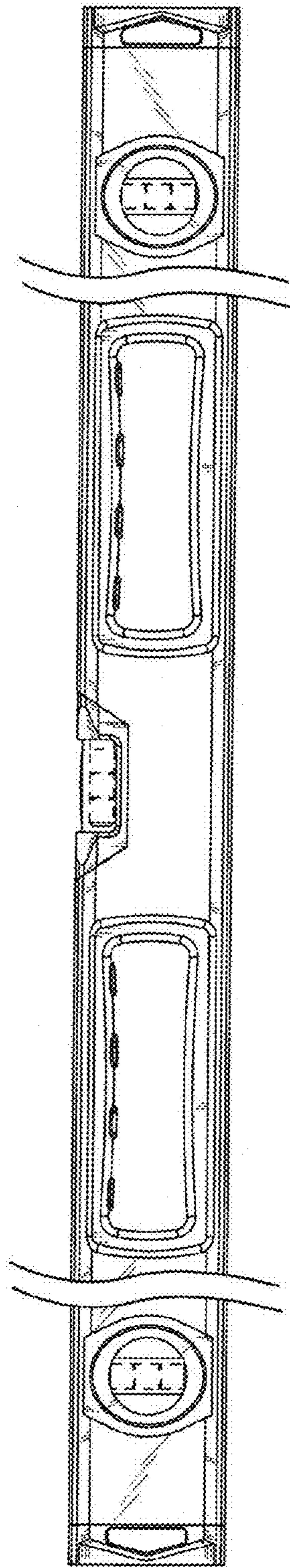


FIG. 2

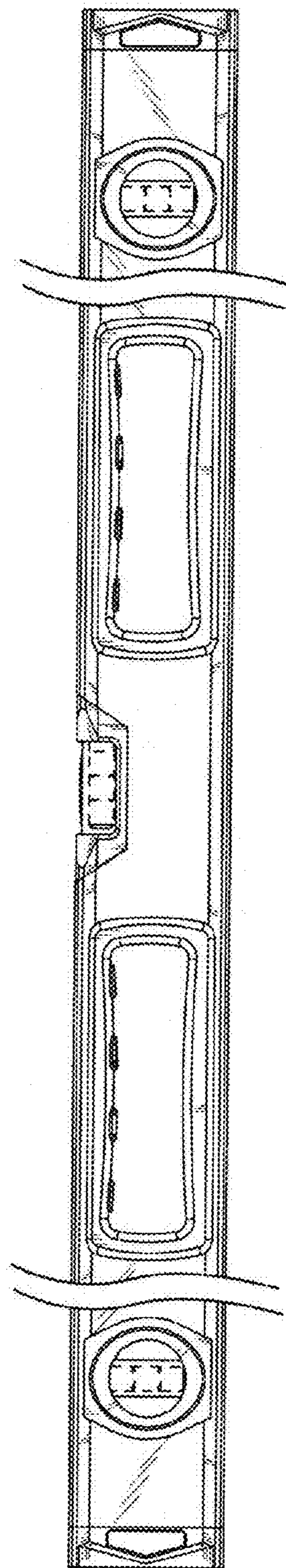


FIG. 3

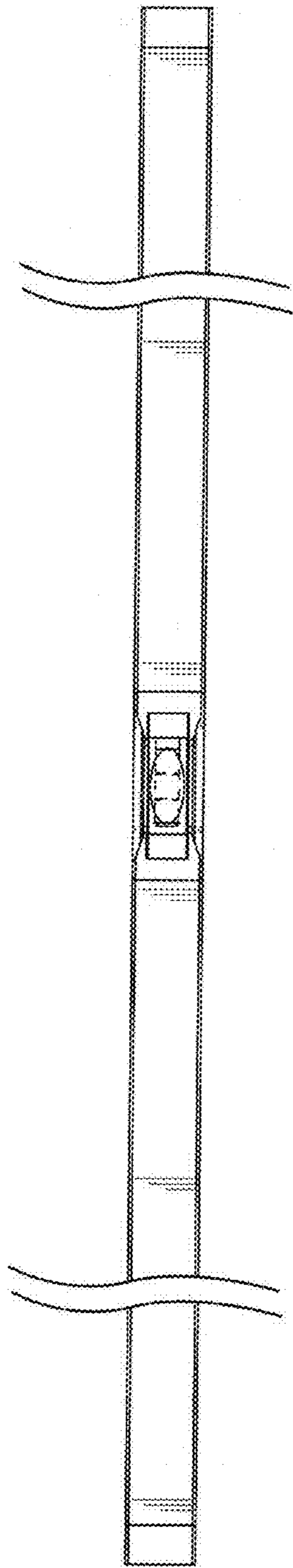


FIG. 4

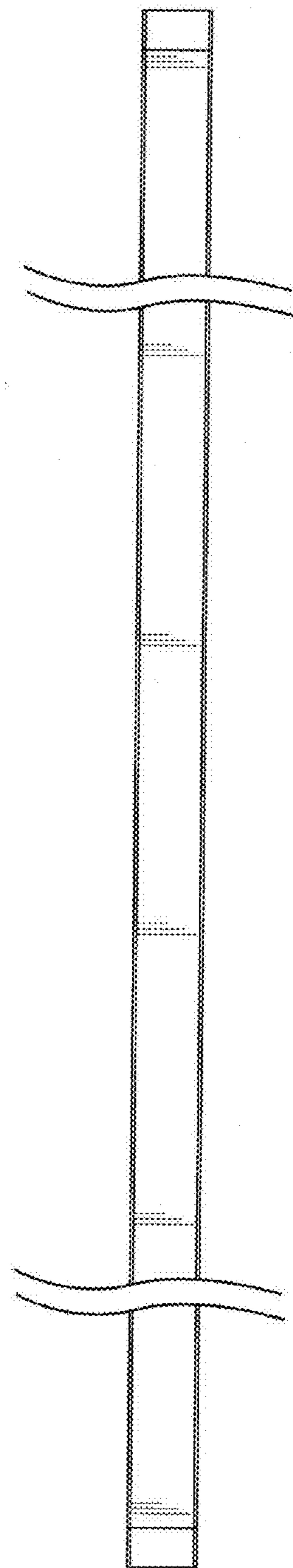


FIG. 5

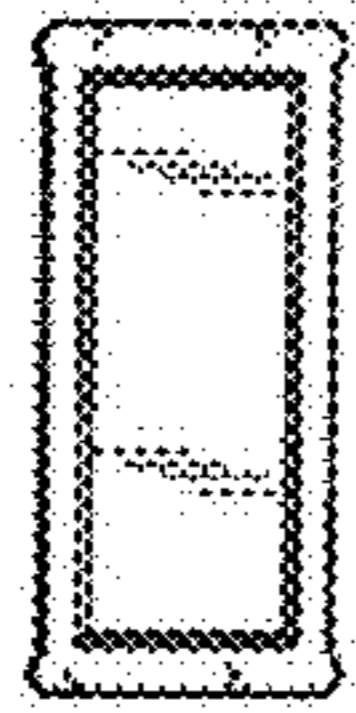


FIG. 6

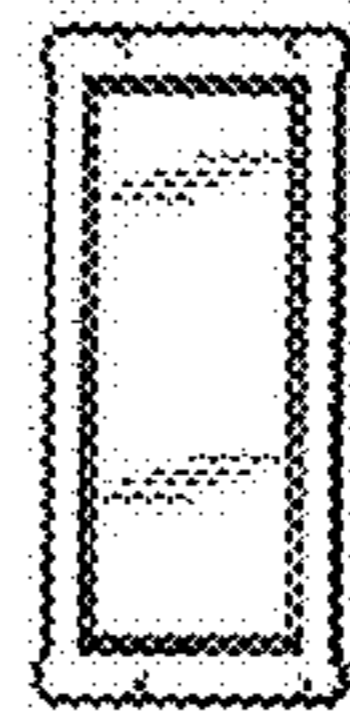


FIG. 7