



US00D743278S

(12) **United States Design Patent**
Solomon et al.

(10) **Patent No.:** **US D743,278 S**

(45) **Date of Patent:** **** Nov. 17, 2015**

(54) **WATCH BODY**

(71) Applicant: **Pebble Technology Corp.**, Palo Alto, CA (US)

(72) Inventors: **Mark Charles Solomon**, San Jose, CA (US); **Christopher Paul Ioffreda**, San Francisco, CA (US); **Troy Garrett Tye**, San Jose, CA (US); **Steven William Johns**, Vancouver (CA); **Eric B. Migicovsky**, Vancouver (CA); **Sean E. Daley**, San Jose, CA (US)

(73) Assignee: **Pebble Technology Corp.**, Palo Alto, CA (US)

(**) Term: **14 Years**

(21) Appl. No.: **29/525,681**

(22) Filed: **May 1, 2015**

Related U.S. Application Data

(63) Continuation of application No. 29/516,925, filed on Feb. 6, 2015.

(51) **LOC (10) Cl.** **10-02**

(52) **U.S. Cl.**
USPC **D10/38**

(58) **Field of Classification Search**
USPC D10/30-32, 38, 39, 65, 70, 98, 124;
D14/138 R, 344; D21/531; D24/186;
368/282, 295
CPC A44C 5/00; A44C 5/0053; G04B 37/0008;
G04G 17/08

See application file for complete search history.

(56) **References Cited**

U.S. PATENT DOCUMENTS

D244,086 S 4/1977 Lawrence
D244,707 S 6/1977 Tiep

(Continued)

Primary Examiner — Robert M Spear

Assistant Examiner — Darcey E Heflin

(74) *Attorney, Agent, or Firm* — Blank Rome LLP

(57) **CLAIM**

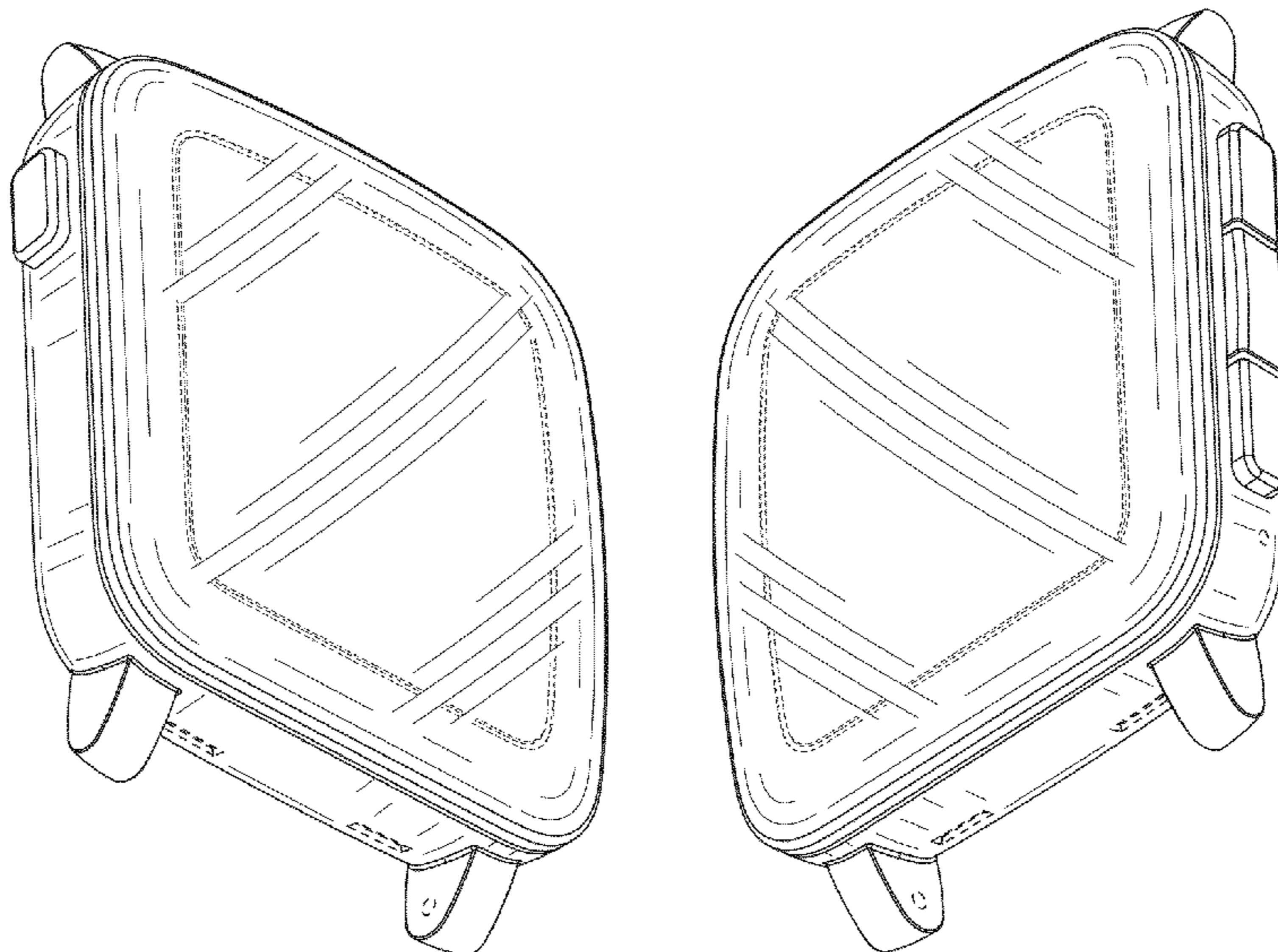
The ornamental design for a watch body, as shown and described.

DESCRIPTION

FIG. 1 is a perspective view showing a front, a bottom, and a right side of a watch body according to our new design; FIG. 2 is a perspective view showing the front, the bottom, and a left side of the watch body; FIG. 3 is an elevational view of the front of the watch body; FIG. 4 is an elevational view of a back of the watch body; FIG. 5 is a perspective view showing the back, the bottom, and the left side of the watch body; FIG. 6 is a perspective view showing the back, the bottom, and the right side of the watch body; FIG. 7 is an elevational view of the right side of the watch body; FIG. 8 is an elevational view of the left side of the watch body; FIG. 9 is a plan view of the top of the watch body; FIG. 10 is a plan view of the bottom of the watch body; FIG. 11 is a perspective view showing the front, the bottom, and the right side of the watch body with a band; and, FIG. 12 is a perspective view showing the back, the bottom, and the left side of the watch body with the band.

The broken line showing of portions of the watch body form no part of the claimed design. The broken line showing of the band in FIGS. 11 and 12 represents environment that forms no part of the claimed design.

1 Claim, 5 Drawing Sheets



(56)

References Cited

U.S. PATENT DOCUMENTS

D244,761 S	6/1977	Sulek	D345,926 S	4/1994	Houlihan
D245,074 S	7/1977	Karibe et al.	D346,558 S	5/1994	Hiromori
D246,164 S	10/1977	Koehler	D366,036 S	1/1996	Houlihan
D246,765 S	12/1977	Sulek	D382,492 S	8/1997	Houlihan
D247,133 S	1/1978	Tiep	D386,428 S	11/1997	Toribio
D247,701 S	4/1978	Kwon	D386,694 S	11/1997	Houlihan
D249,874 S	10/1978	Lawrence	D387,998 S	12/1997	Ramos, Jr. et al.
D250,881 S	1/1979	Liautand	D389,752 S	1/1998	Riley
D251,773 S	5/1979	Morabito	D427,081 S	6/2000	Hiramatsu
D255,224 S	6/1980	Sulek et al.	D504,327 S *	4/2005	Houlihan D10/30
D255,877 S	7/1980	Yamagami	D508,418 S	8/2005	Kraft
D259,626 S	6/1981	Wada	D528,928 S	9/2006	Burton
D261,731 S	11/1981	Yamagami et al.	D566,582 S *	4/2008	Genender et al. D10/38
D261,732 S	11/1981	Yamagami et al.	D576,892 S *	9/2008	Gruosi D10/38
D261,733 S	11/1981	Iida	D582,295 S	12/2008	Schoepfer
D261,994 S	11/1981	Yamagami et al.	D604,646 S *	11/2009	Belamich D10/38
D264,946 S *	6/1982	Hirabayashi D10/38	D628,498 S	12/2010	Arellano
D265,063 S	6/1982	Iida	D636,686 S	4/2011	Cobbett et al.
D265,295 S	7/1982	Wada	D636,687 S *	4/2011	Morrison D10/39
D267,548 S	1/1983	Wada	D638,725 S *	5/2011	Morrison D10/39
D269,767 S	7/1983	Houlihan et al.	D645,360 S	9/2011	Kiser et al.
D269,951 S	8/1983	Eberhardt et al.	D667,126 S	9/2012	Cho et al.
D270,244 S	8/1983	McCormick	D672,255 S *	12/2012	Zanella et al. D10/32
D277,829 S	3/1985	Leger	D672,667 S	12/2012	Mix
D278,685 S	5/1985	Suzuki et al.	D693,251 S	11/2013	Anderssen et al.
D279,081 S	6/1985	Suzuki et al.	D701,504 S	3/2014	Christopher et al.
D283,014 S	3/1986	Suzuki et al.	D703,204 S	4/2014	Riddiford et al.
4,825,427 A	4/1989	Wollman	D705,673 S	5/2014	Arellano
D312,416 S	11/1990	Braun	D716,166 S *	10/2014	Au Yeung D10/98
5,005,161 A	4/1991	Boilen	D717,678 S	11/2014	Anderssen et al.
D324,340 S	3/1992	Houlihan	D719,123 S	12/2014	Park et al.
D324,341 S	3/1992	Houlihan	D729,651 S *	5/2015	Nuovo et al. D10/70
			D729,653 S *	5/2015	Nuovo et al. D10/70
			D730,209 S *	5/2015	Wolos et al. D10/70
			D732,022 S *	6/2015	Song D14/344

* cited by examiner

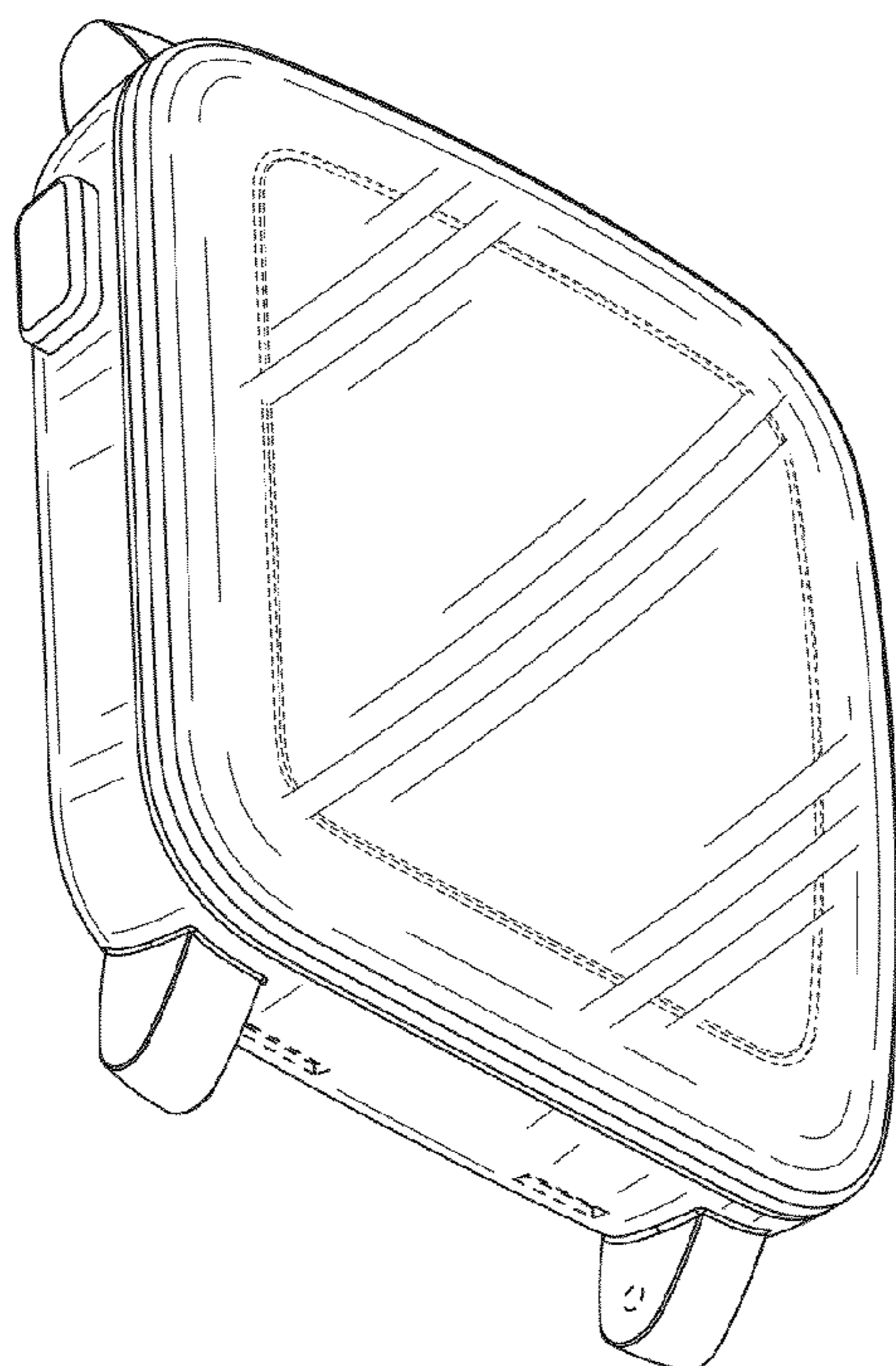


FIG. 1

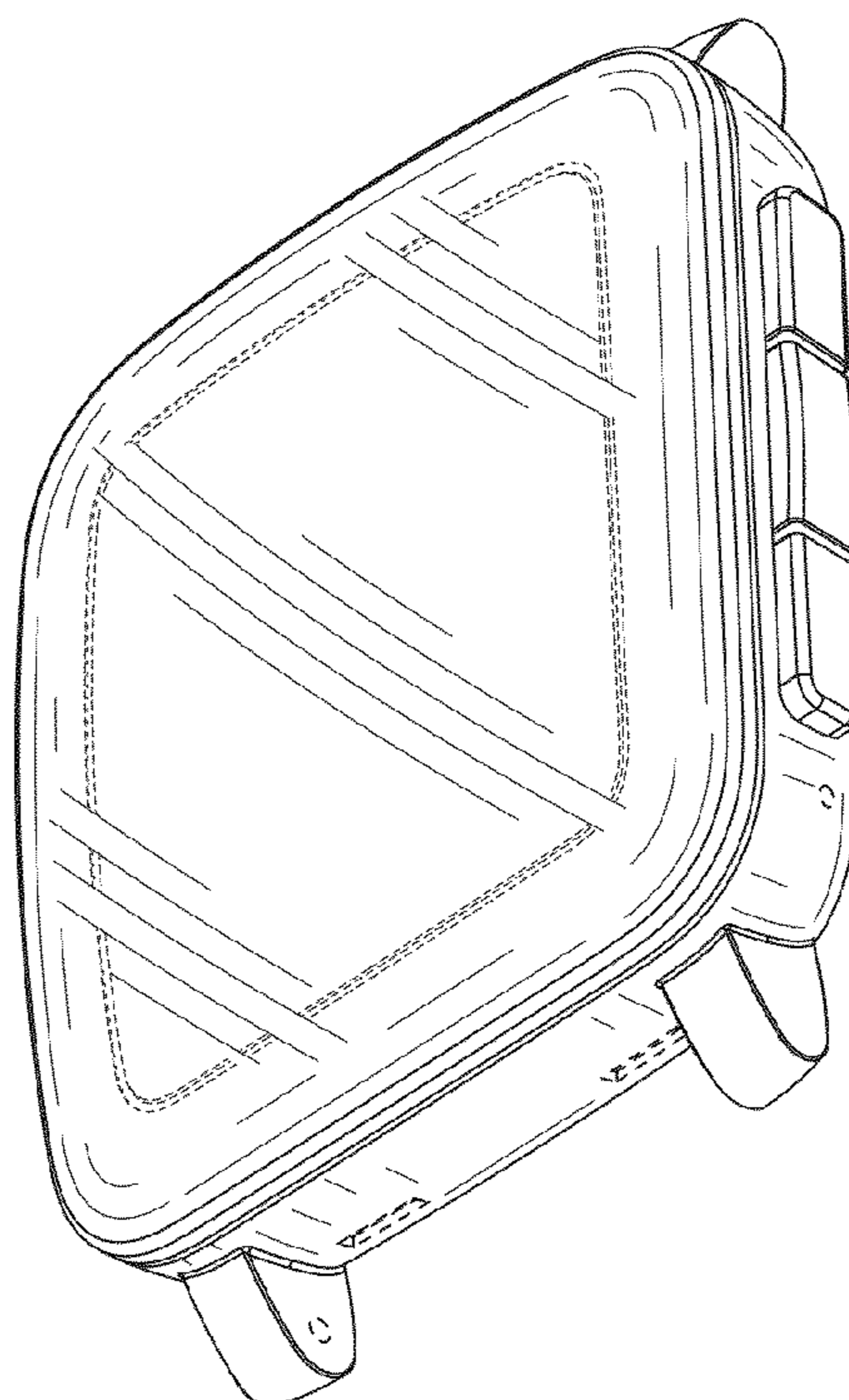


FIG. 2

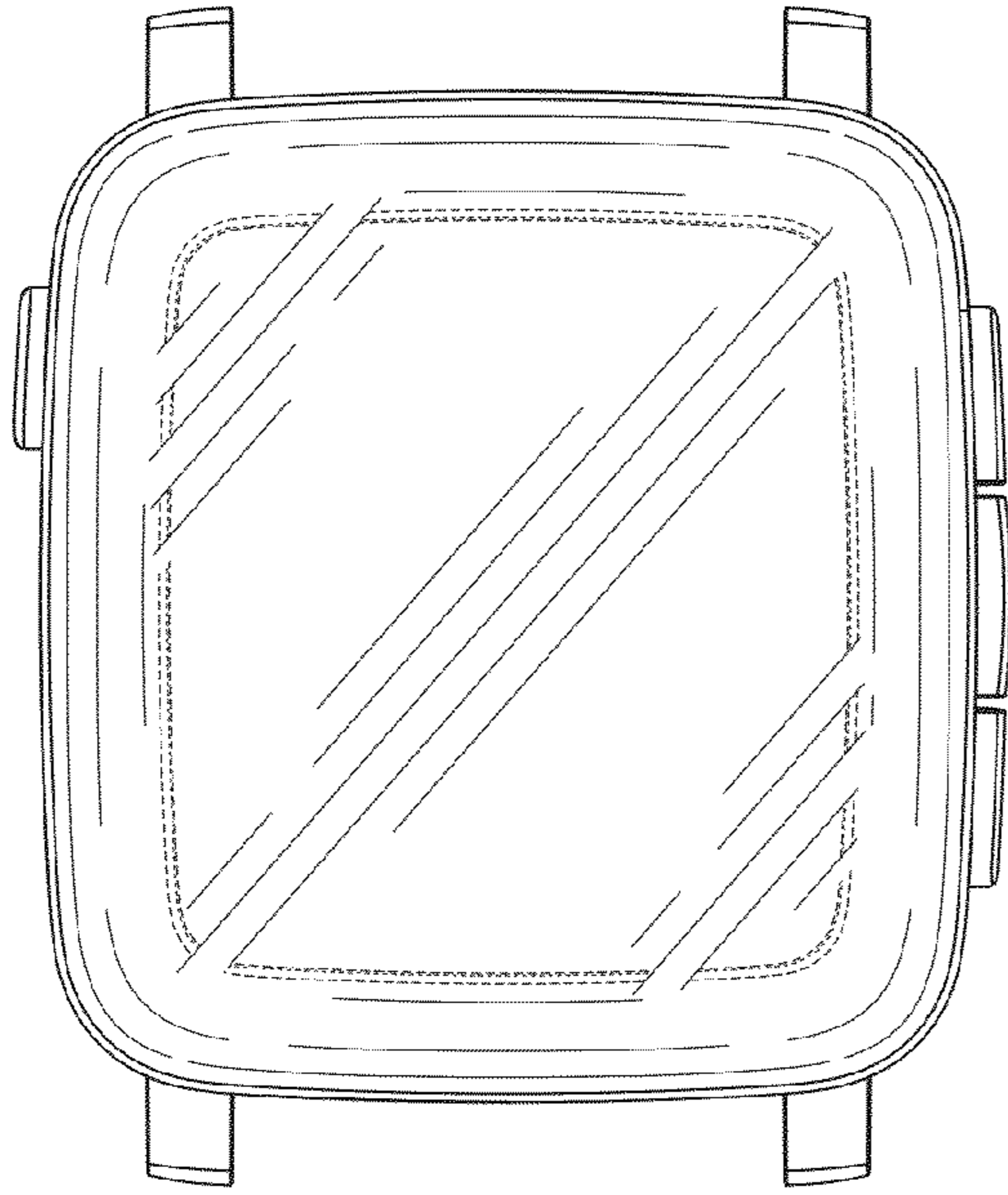


FIG. 3

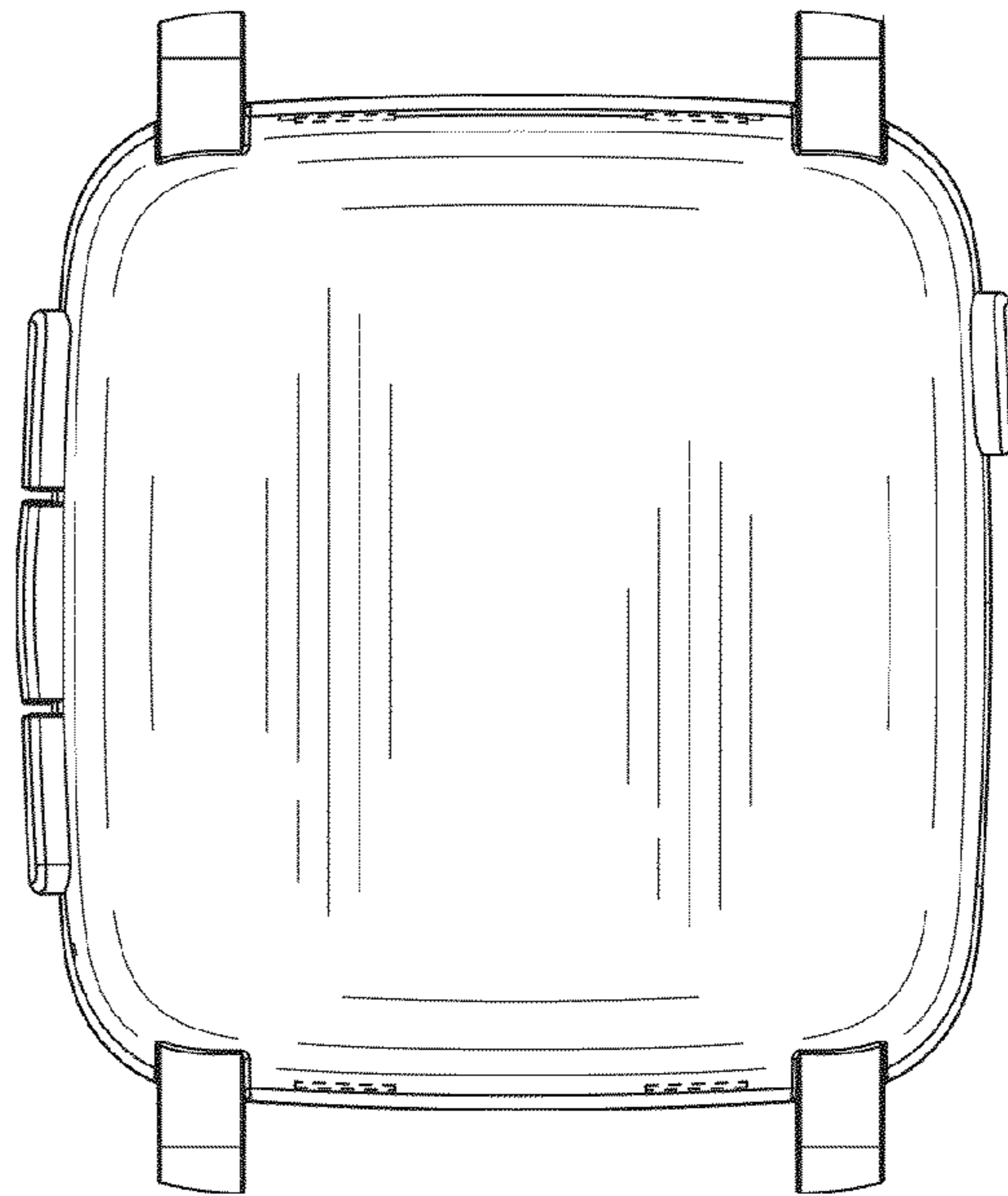


FIG. 4

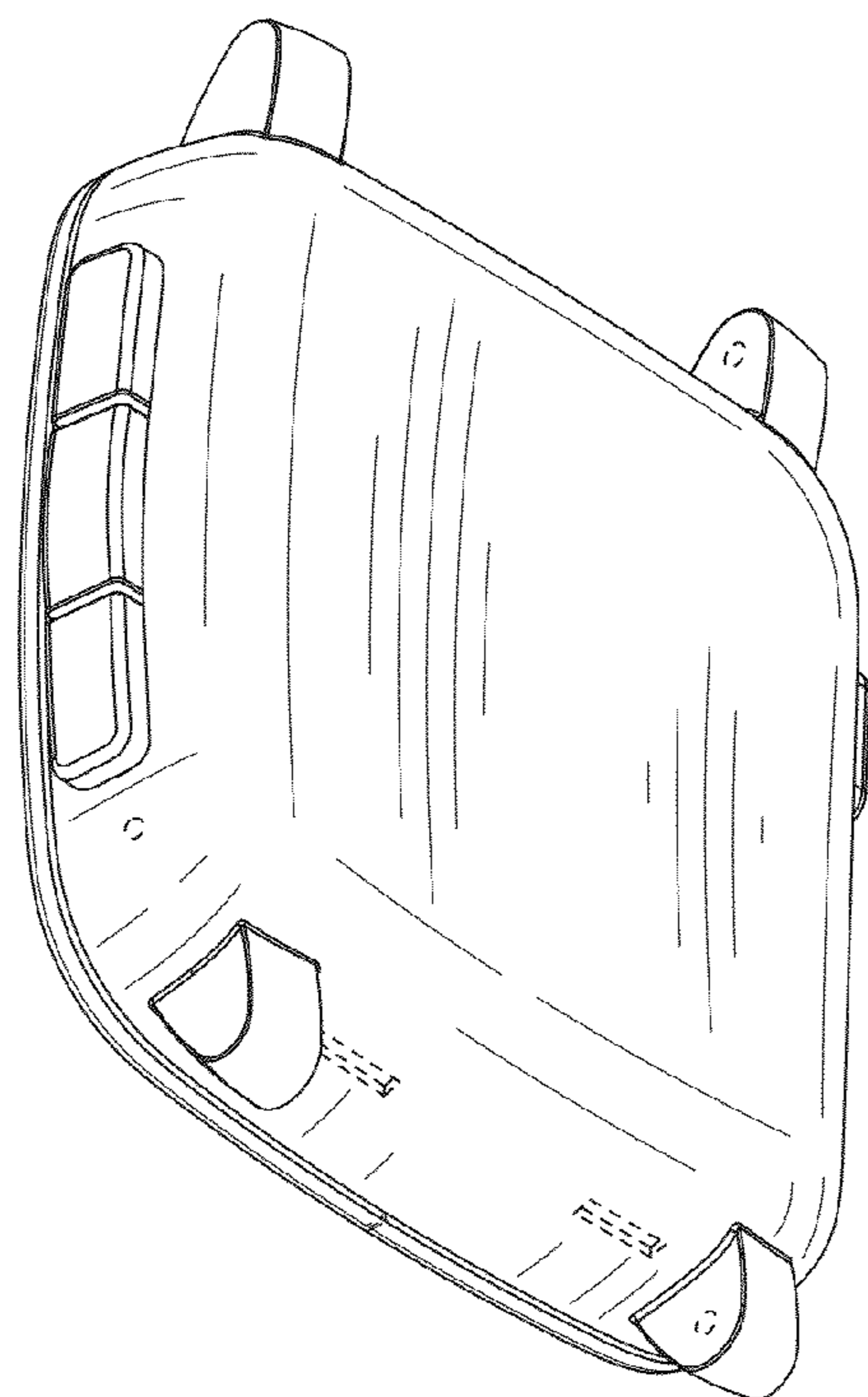


FIG. 5

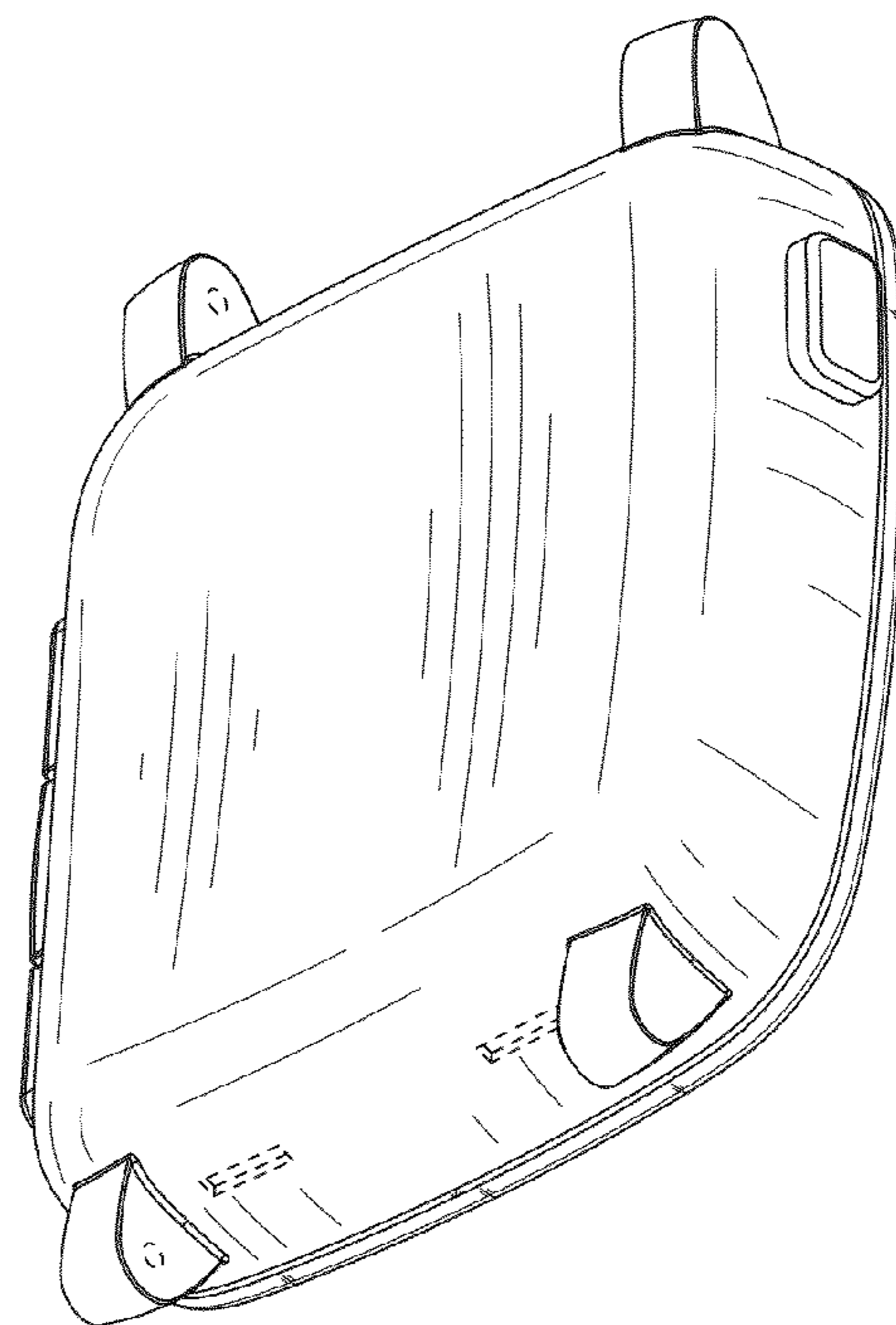


FIG. 6

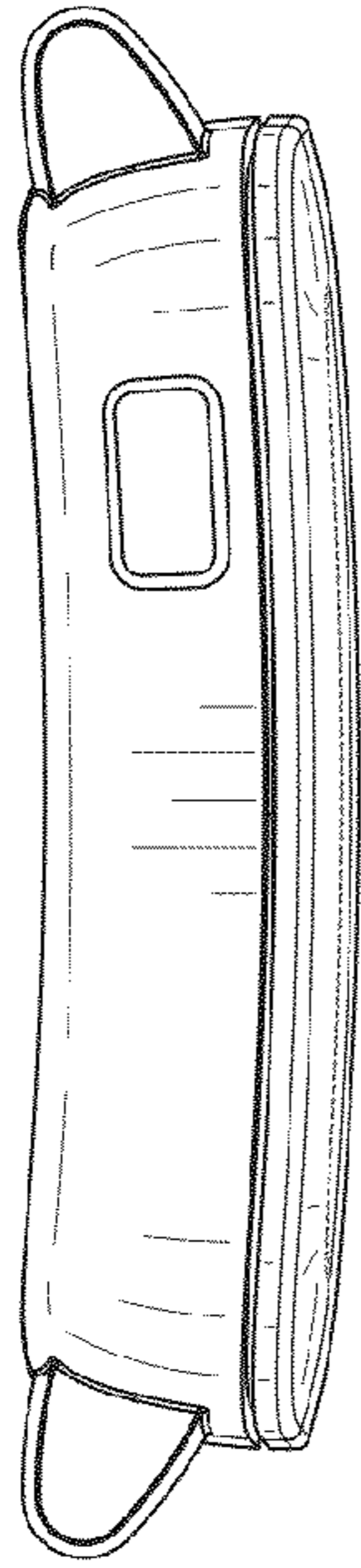


FIG. 7

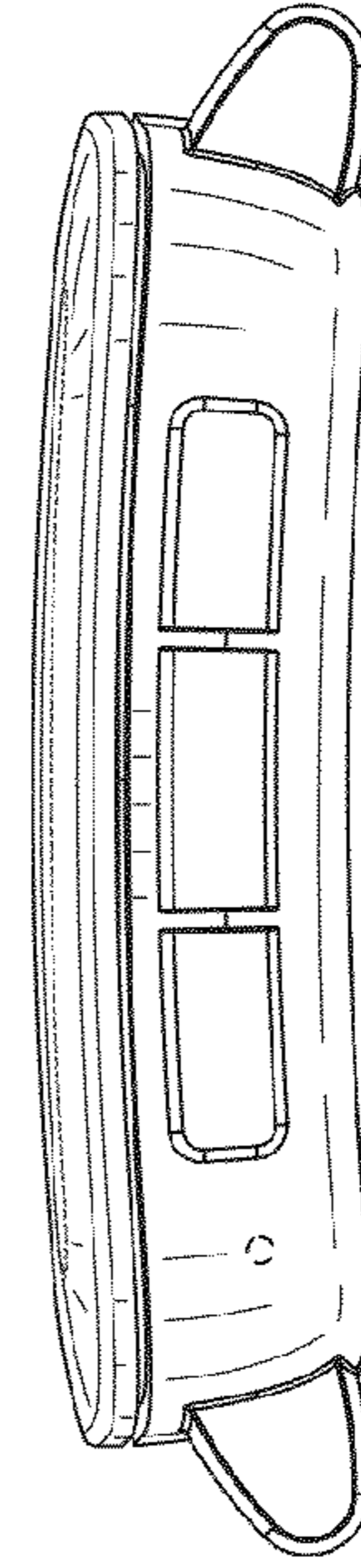


FIG. 8

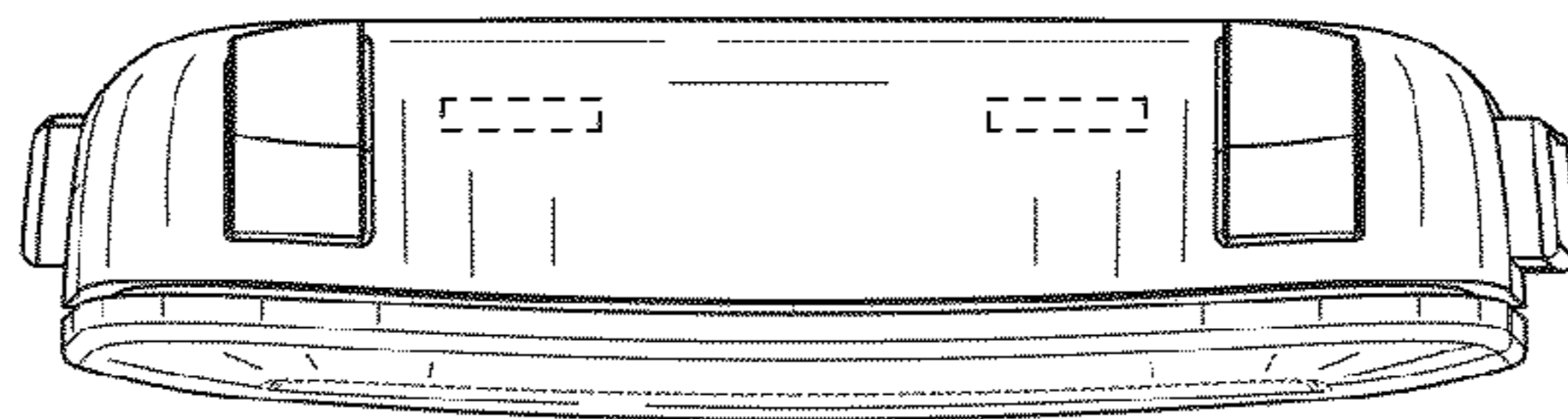


FIG. 9

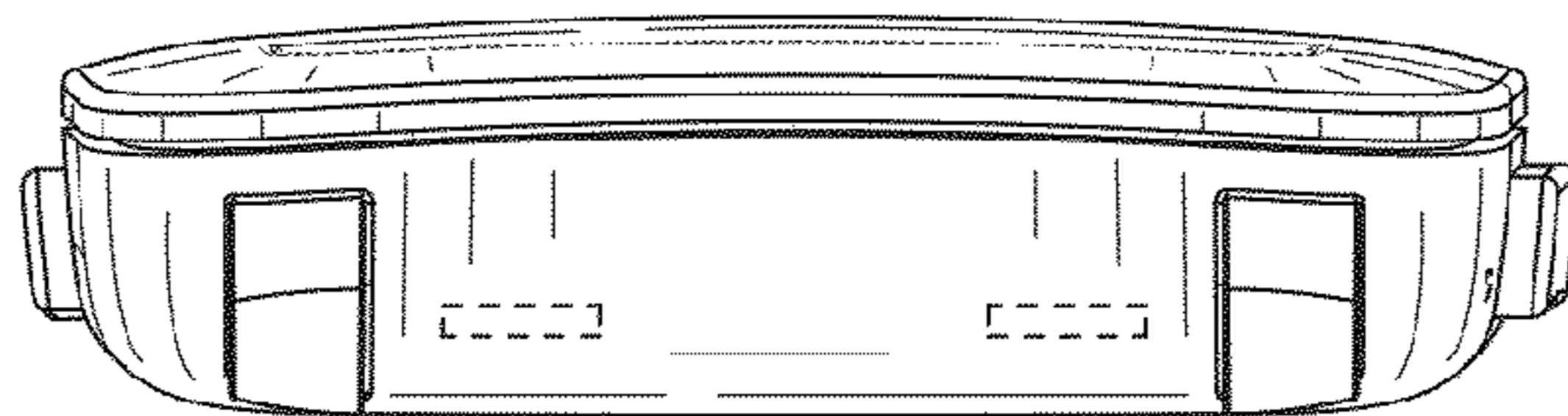


FIG. 10

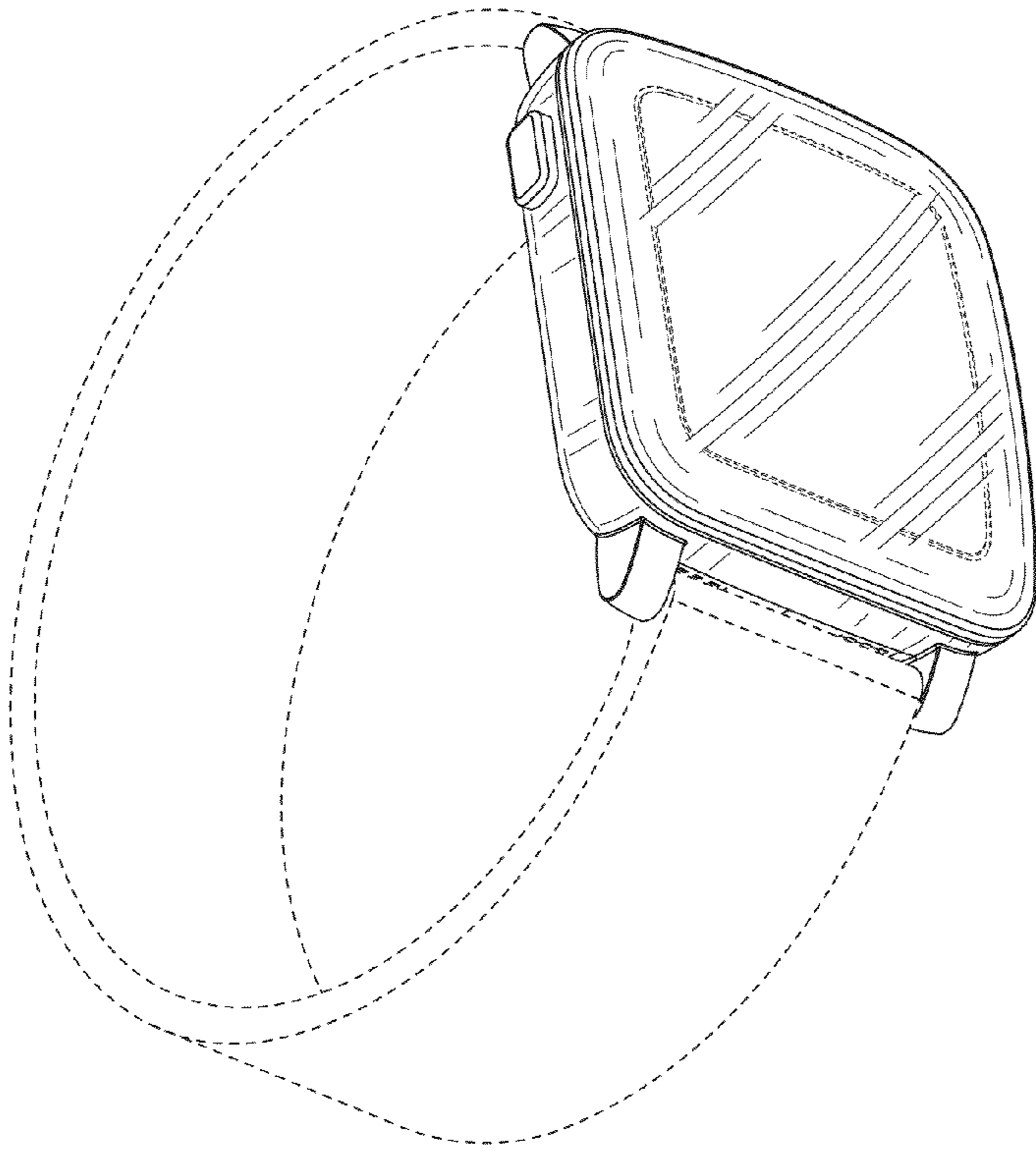


FIG. 11

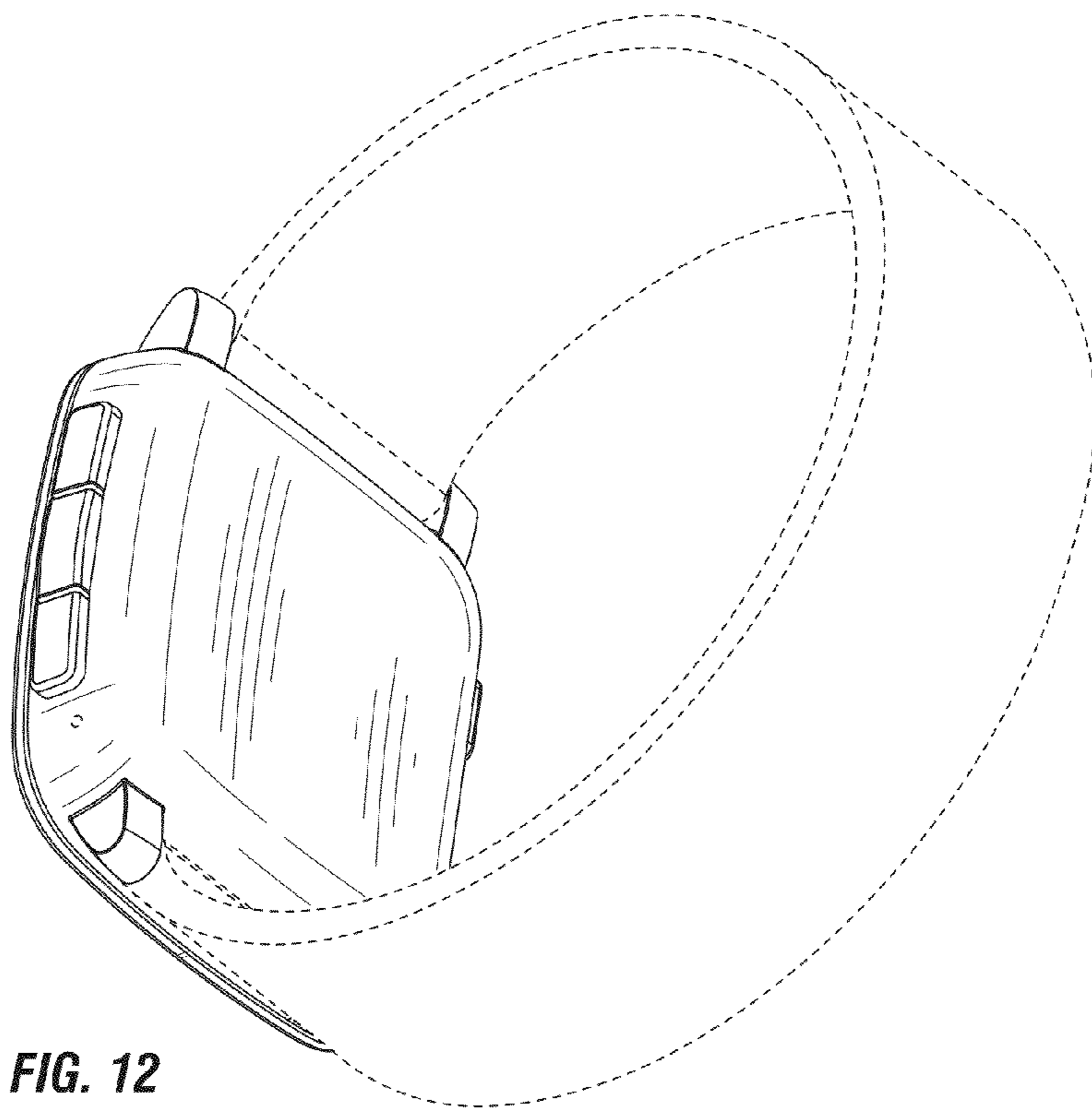


FIG. 12