



US00D743276S

(12) **United States Design Patent**  
**Riviere**

(10) **Patent No.:** **US D743,276 S**

(45) **Date of Patent:** **\*\* Nov. 17, 2015**

(54) **WRISTWATCH**

(71) Applicant: **HARRY WINSTON SA,**  
Plan-les-Ouates (CH)

(72) Inventor: **Dominique Riviere,** New York, NY (US)

(73) Assignee: **HARRY WINSTON SA,**  
Plan-les-Ouates (CH)

(\*\*) Term: **14 Years**

(21) Appl. No.: **29/503,346**

(22) Filed: **Sep. 25, 2014**

(30) **Foreign Application Priority Data**

Mar. 25, 2014 (WO) ..... DM/083 608

(51) **LOC (10) Cl.** ..... **10-02**

(52) **U.S. Cl.**  
USPC ..... **D10/32; D10/39; D10/125; D11/3;**  
D11/16

(58) **Field of Classification Search**

USPC ..... D10/30-39, 1-29, 122-132; D11/3, 16,  
D11/79, 89

CPC ..... A44C 5/00; A44C 5/02; A44C 5/04;  
A44C 5/08; A44C 5/14; A44C 17/00; A44C  
17/04; G04B 19/00; G04B 19/04; G04B  
37/00; G04B 37/0008; G04B 37/0058; G04B  
37/14; G04B 37/1486; G04B 45/00; G04B  
45/0069; G04B 45/0076; G04B 47/00; G04B  
47/04; G04B 47/042

See application file for complete search history.

(56) **References Cited**

**U.S. PATENT DOCUMENTS**

D131,853 S \* 3/1942 Philippe ..... D11/16  
D150,048 S \* 6/1948 Arpels ..... D10/32

D153,015 S \* 3/1949 Pennino ..... D10/32  
D161,296 S \* 12/1950 Tourneau ..... D10/32  
2,676,736 A \* 4/1954 Tourneau ..... 224/164  
D176,687 S \* 1/1956 Katz ..... D11/16  
D274,503 S \* 7/1984 Bulgari ..... D10/32  
D281,585 S \* 12/1985 Vittadini ..... D10/32  
4,639,144 A \* 1/1987 Chau ..... 368/276  
4,855,972 A \* 8/1989 Eiss ..... 368/282  
D303,635 S \* 9/1989 Kurzina ..... D10/32  
D367,820 S \* 3/1996 Helleu ..... D10/32  
6,004,026 A \* 12/1999 Slowinski ..... 368/282  
D420,599 S \* 2/2000 Perrin et al. .... D10/32  
D434,676 S \* 12/2000 Pequignet ..... D10/32  
D458,154 S \* 6/2002 Lepeu et al. .... D10/32  
D469,374 S \* 1/2003 Calvani et al. .... D11/16  
D476,580 S \* 7/2003 Calvani et al. .... D10/30  
D476,907 S \* 7/2003 Calvani et al. .... D10/32  
D561,050 S \* 2/2008 Laucella ..... D10/39  
D705,086 S \* 5/2014 Adio ..... D10/39  
D730,231 S \* 5/2015 Kwon ..... D11/16

\* cited by examiner

*Primary Examiner* — Martie K Holtje

(74) *Attorney, Agent, or Firm* — Donald J. Ranft; Kristen A. Mogavero; Collen IP

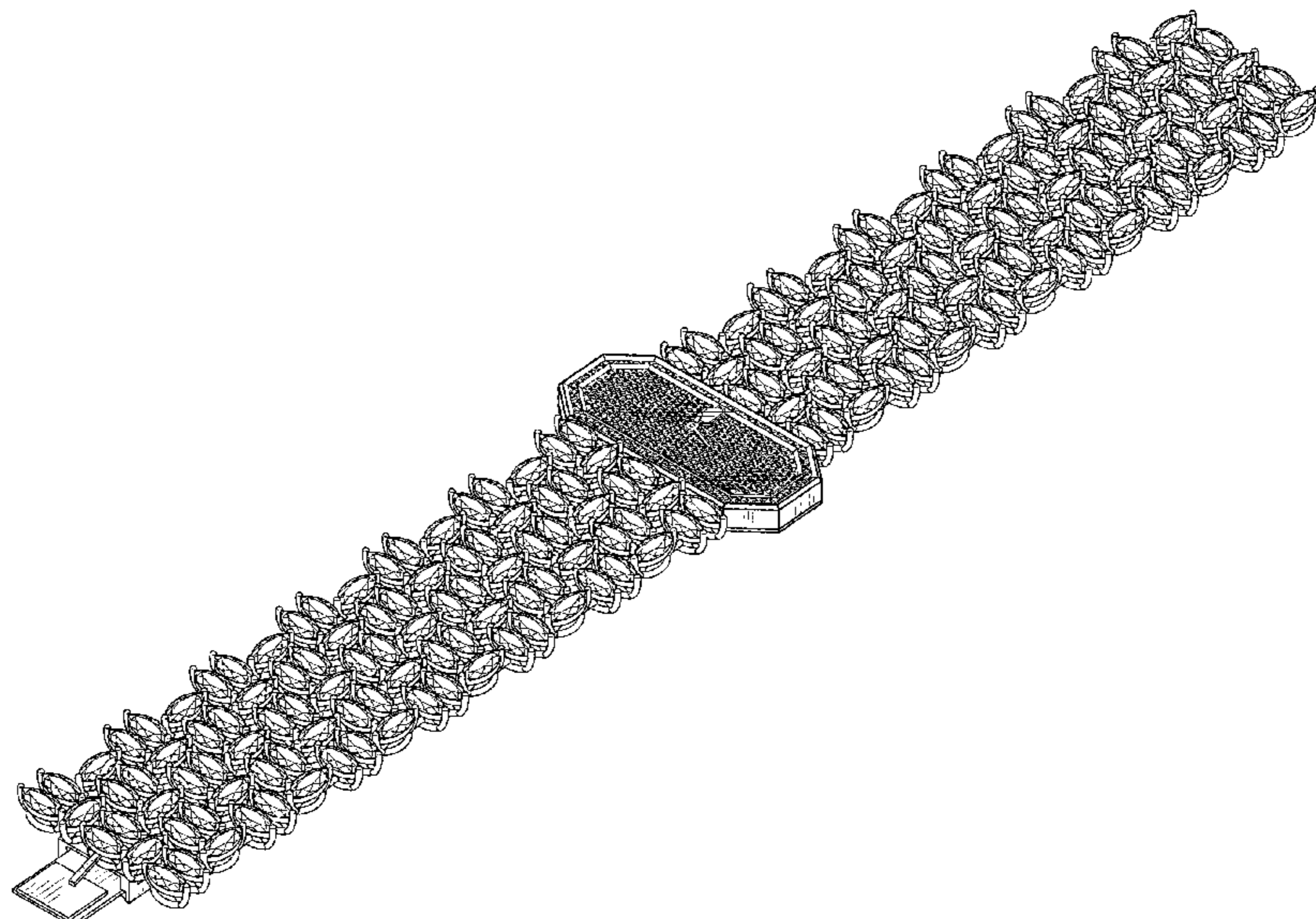
(57) **CLAIM**

The ornamental design for a wristwatch, as shown.

**DESCRIPTION**

FIG. 1 is a front right perspective view of a wristwatch showing my new design;  
FIG. 2 is a rear right perspective view thereof;  
FIG. 3 is a front view thereof;  
FIG. 4 is a rear view thereof;  
FIG. 5 is a left side view thereof;  
FIG. 6 is a right side view thereof;  
FIG. 7 is a top view thereof;  
FIG. 8 is a bottom view thereof;  
FIG. 9 is a front left perspective view thereof; and,  
FIG. 10 is a rear left perspective view thereof.

**1 Claim, 8 Drawing Sheets**



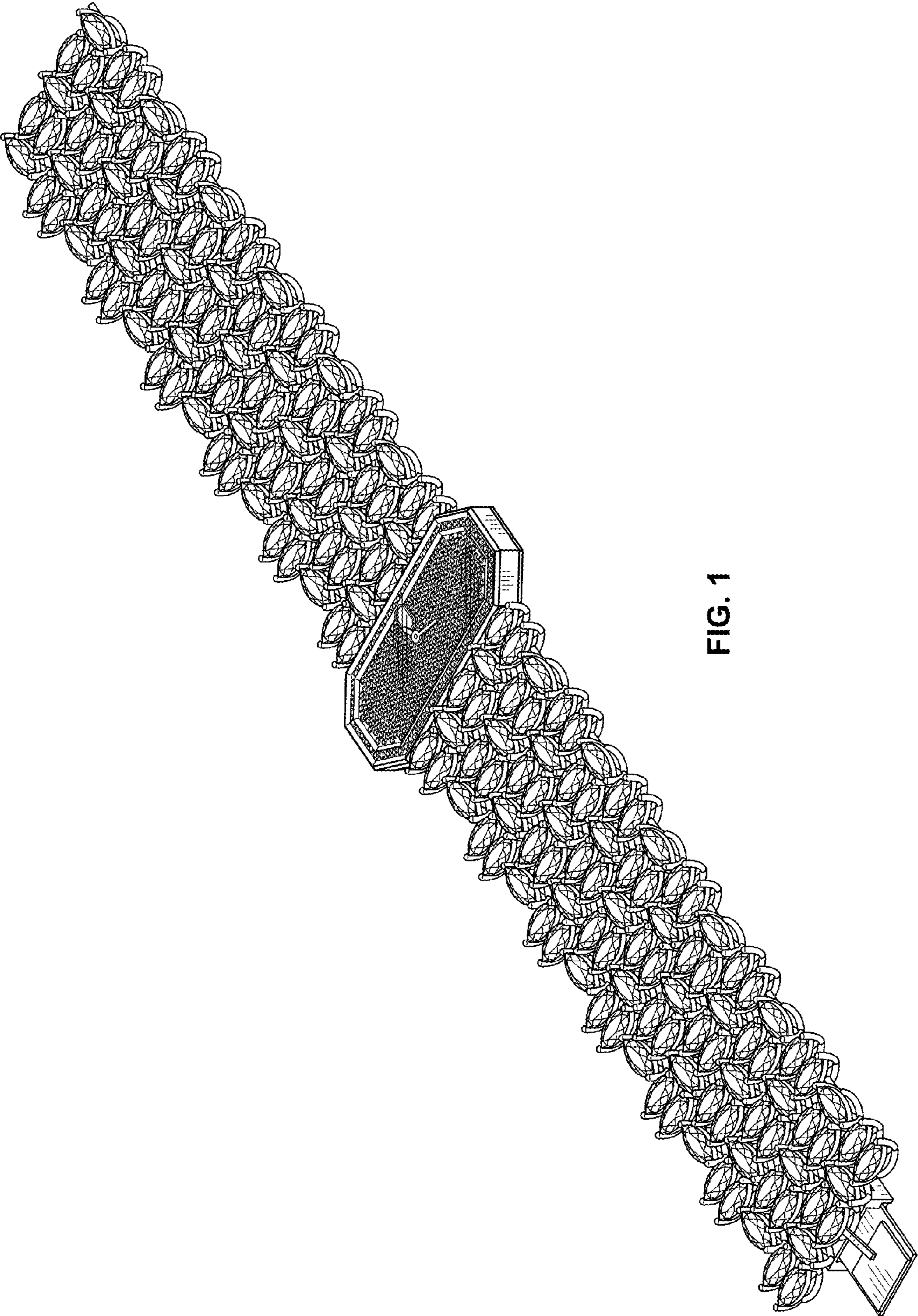


FIG. 1

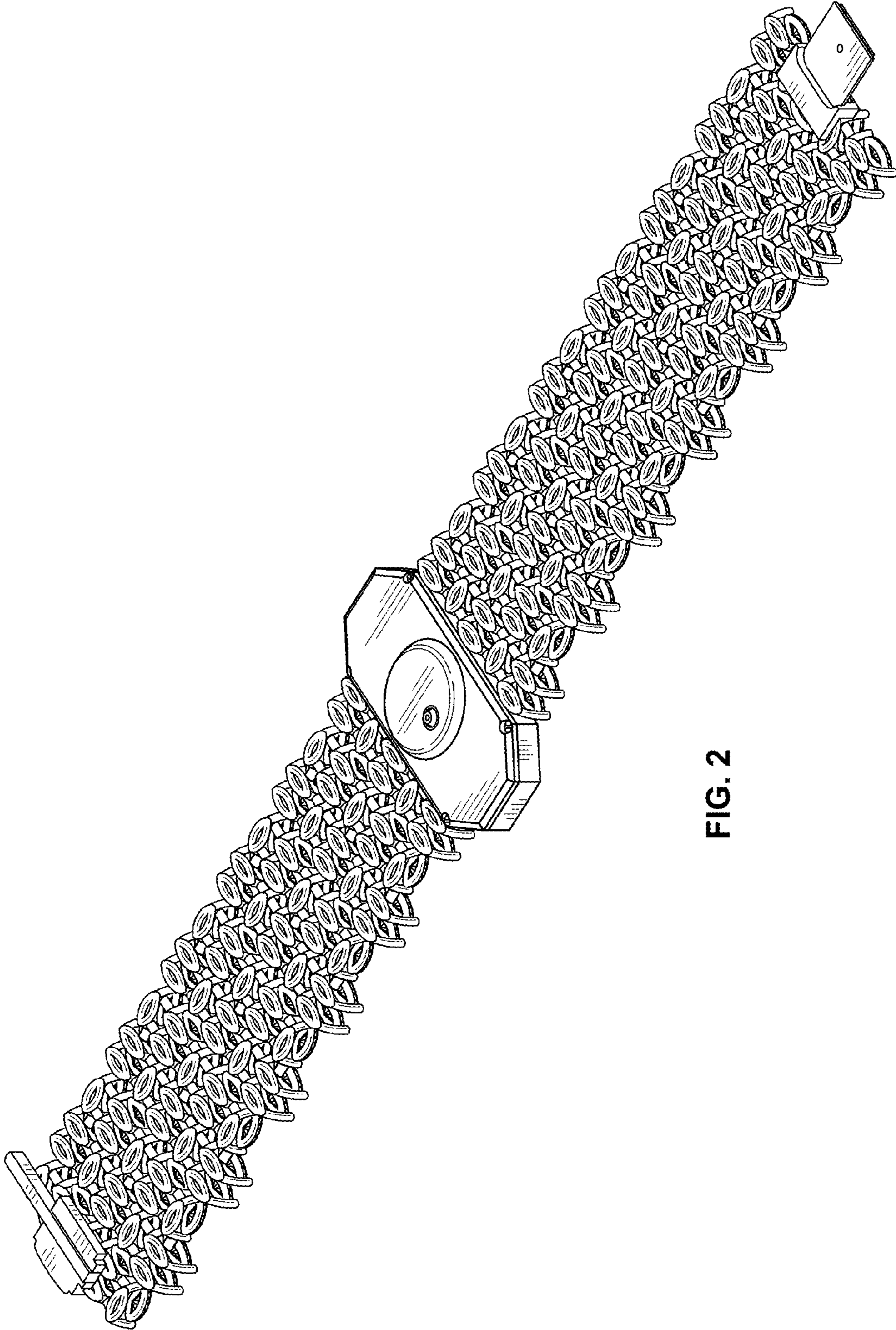


FIG. 2

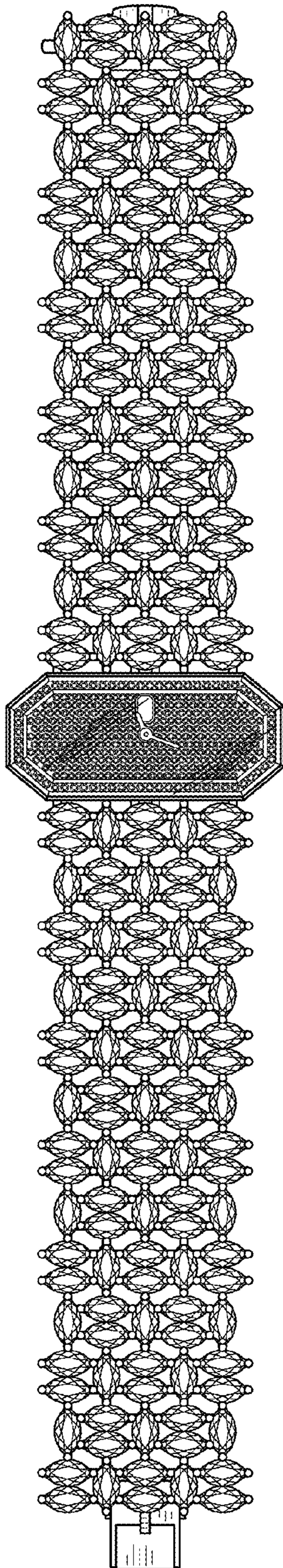


FIG. 3

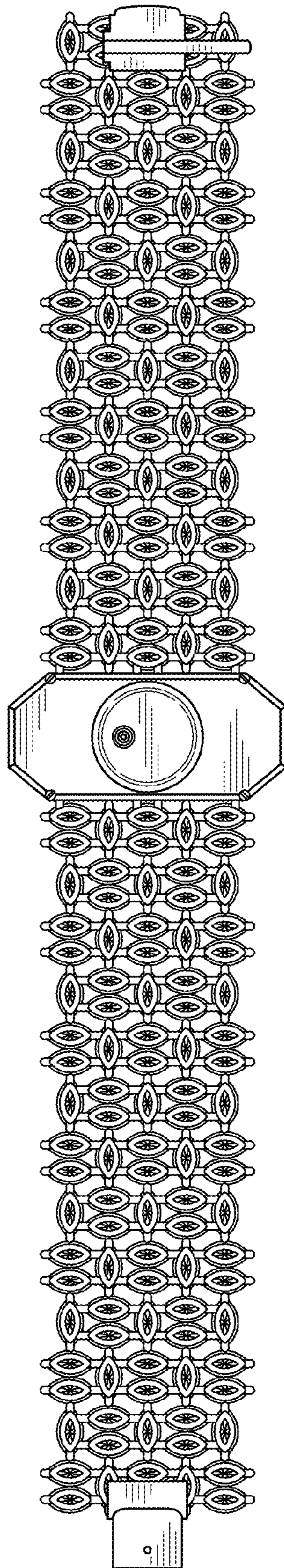


FIG. 4



FIG. 5



FIG. 6



FIG. 7



FIG. 8

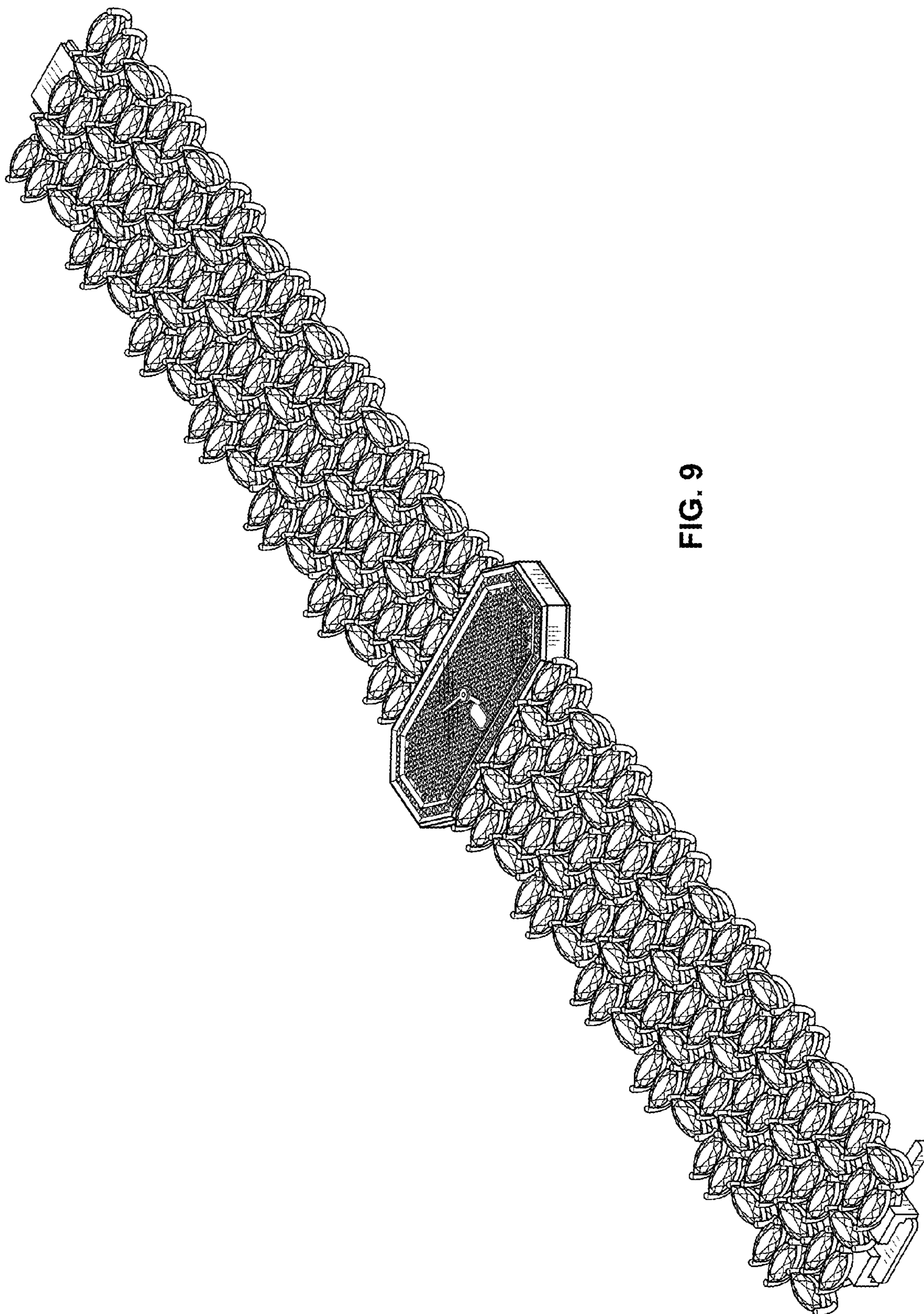


FIG. 9



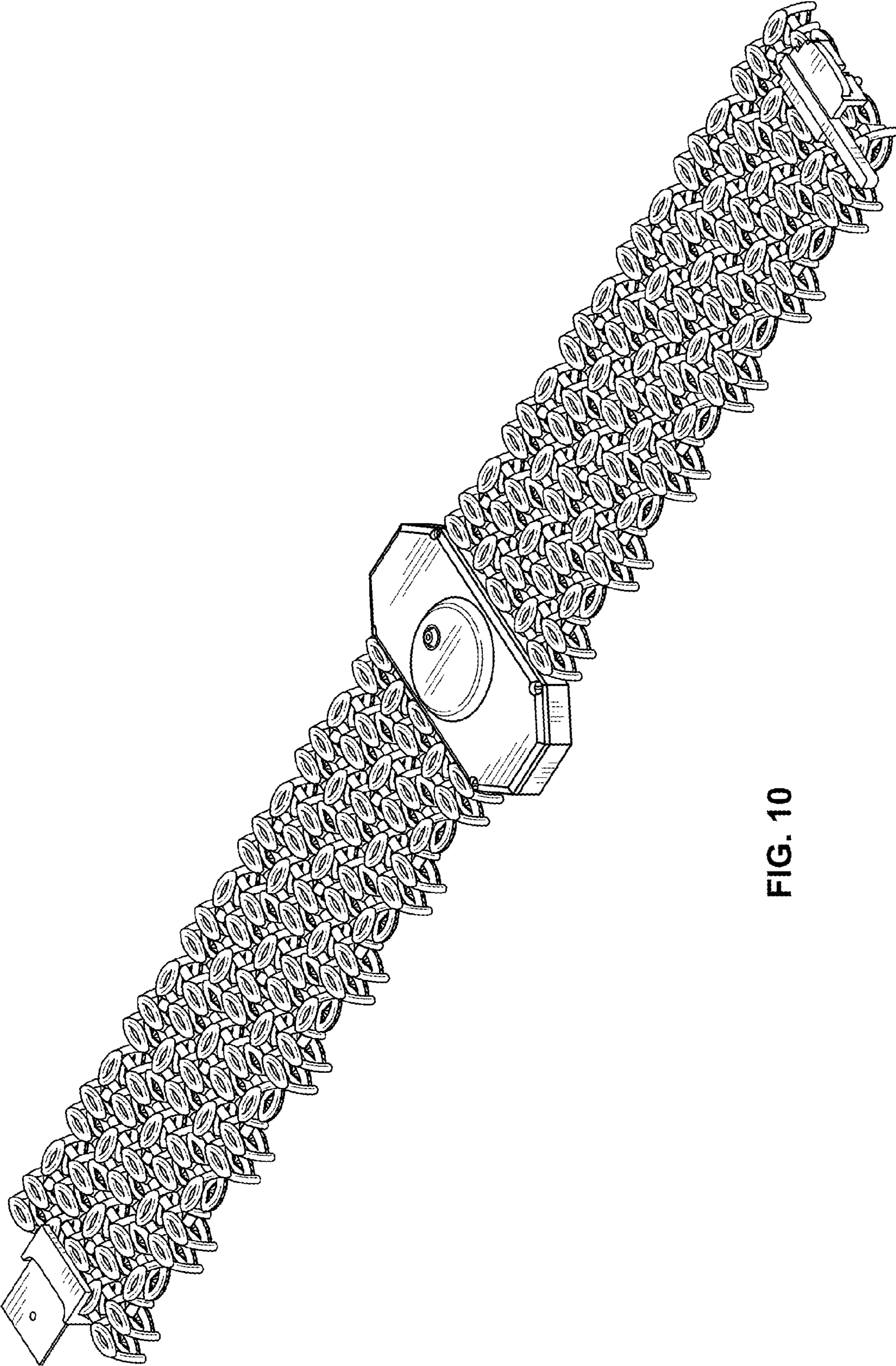


FIG. 10